

US00D549227S

(12) **United States Design Patent**
Li et al.

(10) **Patent No.:** **US D549,227 S**

(45) **Date of Patent:** **** Aug. 21, 2007**

(54) **FOOT OPERATED MOUSE**

(75) Inventors: **Tianhou Li**, Walnut, CA (US);
Wendong Li, Guangdong (CN)

(73) Assignee: **Bili, Inc.**, City of Industry, CA (US)

(**) Term: **14 Years**

(21) Appl. No.: **29/254,381**

(22) Filed: **Feb. 21, 2006**

(51) **LOC (8) Cl.** **14-02**

(52) **U.S. Cl.** **D14/402; D14/419; D14/401**

(58) **Field of Classification Search** D14/400-410,
D14/417-419; 200/5 A, 5 R, 6 A, 6 R; 273/148 B,
273/148 A; 74/471 XY; 345/156-167;
463/29-38, 1; 341/20-22; D21/333; 400/273;
434/43, 45

See application file for complete search history.

(56) **References Cited**

U.S. PATENT DOCUMENTS

D333,324 S	*	2/1993	Michael	D14/419
D339,612 S	*	9/1993	Carter et al.	D14/419
D362,278 S	*	9/1995	Hayes	D14/419
D368,496 S	*	4/1996	Seger	D14/419
5,583,541 A	*	12/1996	Solhjell	345/163

5,745,055 A	*	4/1998	Redlich et al.	341/20
5,751,274 A	*	5/1998	Davis	345/157
5,886,685 A	*	3/1999	Best	345/163
5,907,318 A		5/1999	Medina		
6,104,383 A	*	8/2000	Shipman	345/163

* cited by examiner

Primary Examiner—Pamela J. Burgess

(74) *Attorney, Agent, or Firm*—Knobbe, Martens, Olson & Bear, LLP

(57) **CLAIM**

The ornamental design for a foot operated mouse, as shown and described.

DESCRIPTION

FIG. 1 is perspective view of a foot operated mouse showing my new design;

FIG. 2 is a top view thereof;

FIG. 3 is a bottom view thereof;

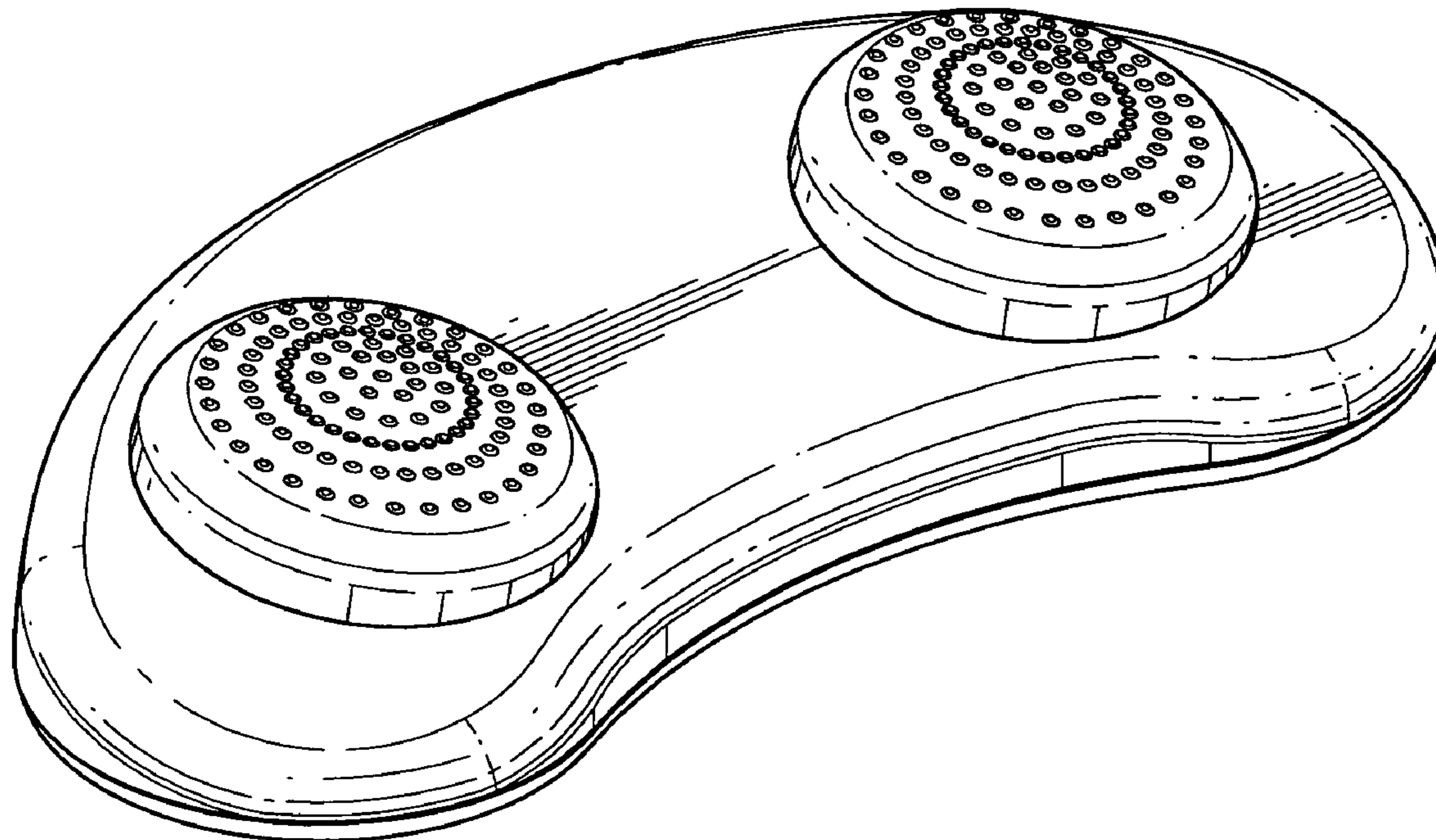
FIG. 4 is a front view thereof;

FIG. 5 is a rear view thereof;

FIG. 6 is a left side elevational view thereof; and,

FIG. 7 is a right side elevational view thereof.

1 Claim, 4 Drawing Sheets



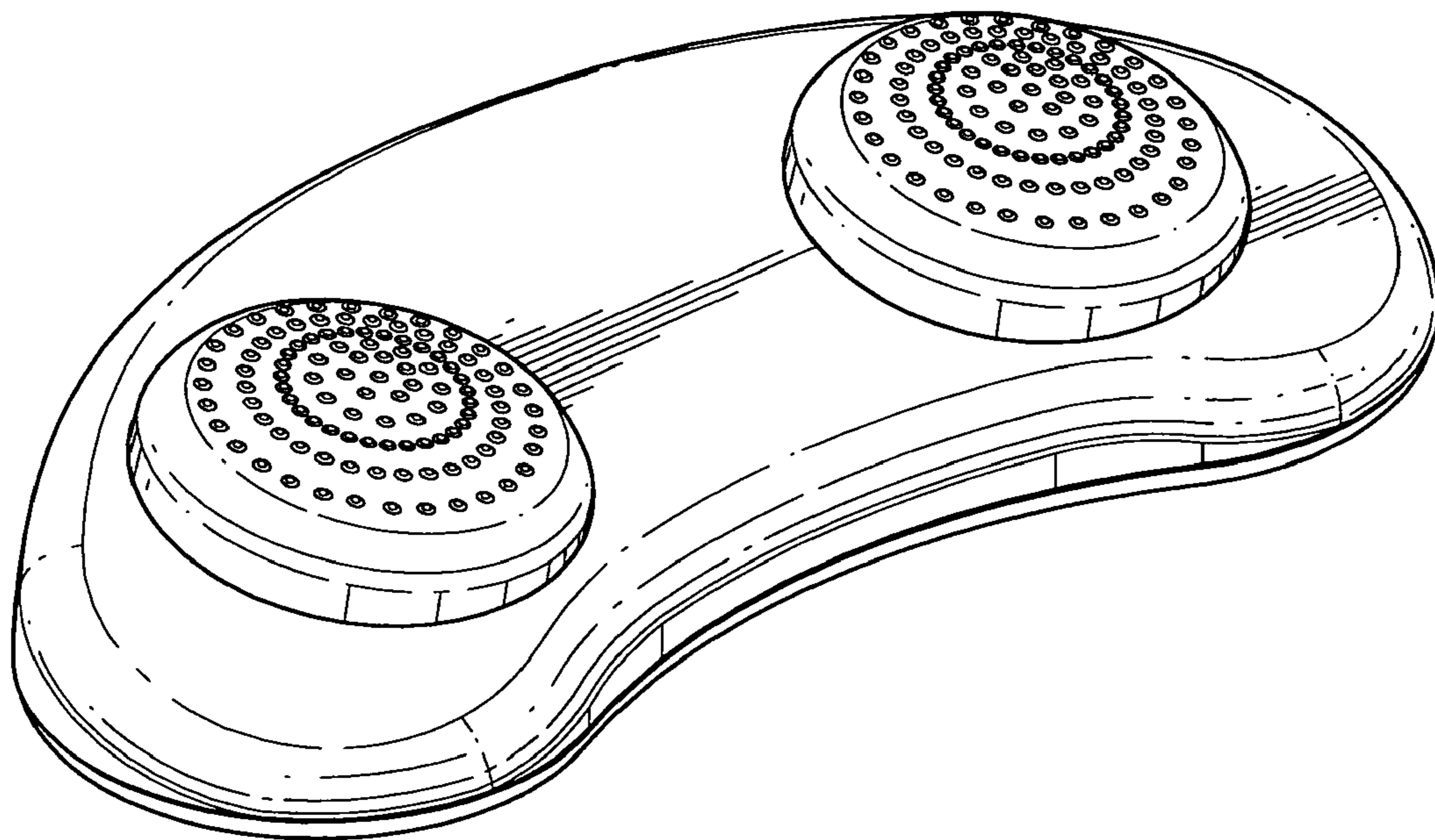


FIG. 1

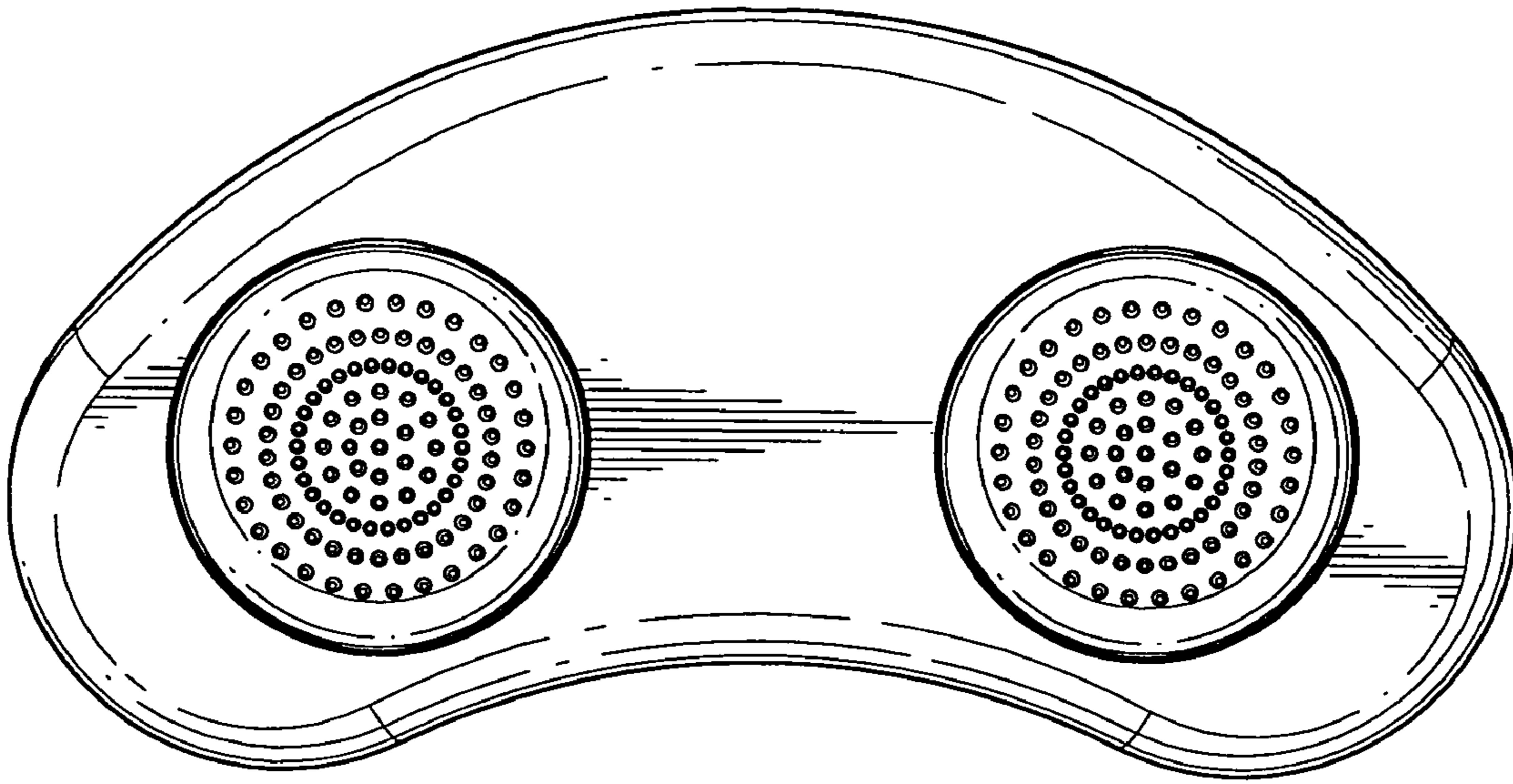


FIG. 2

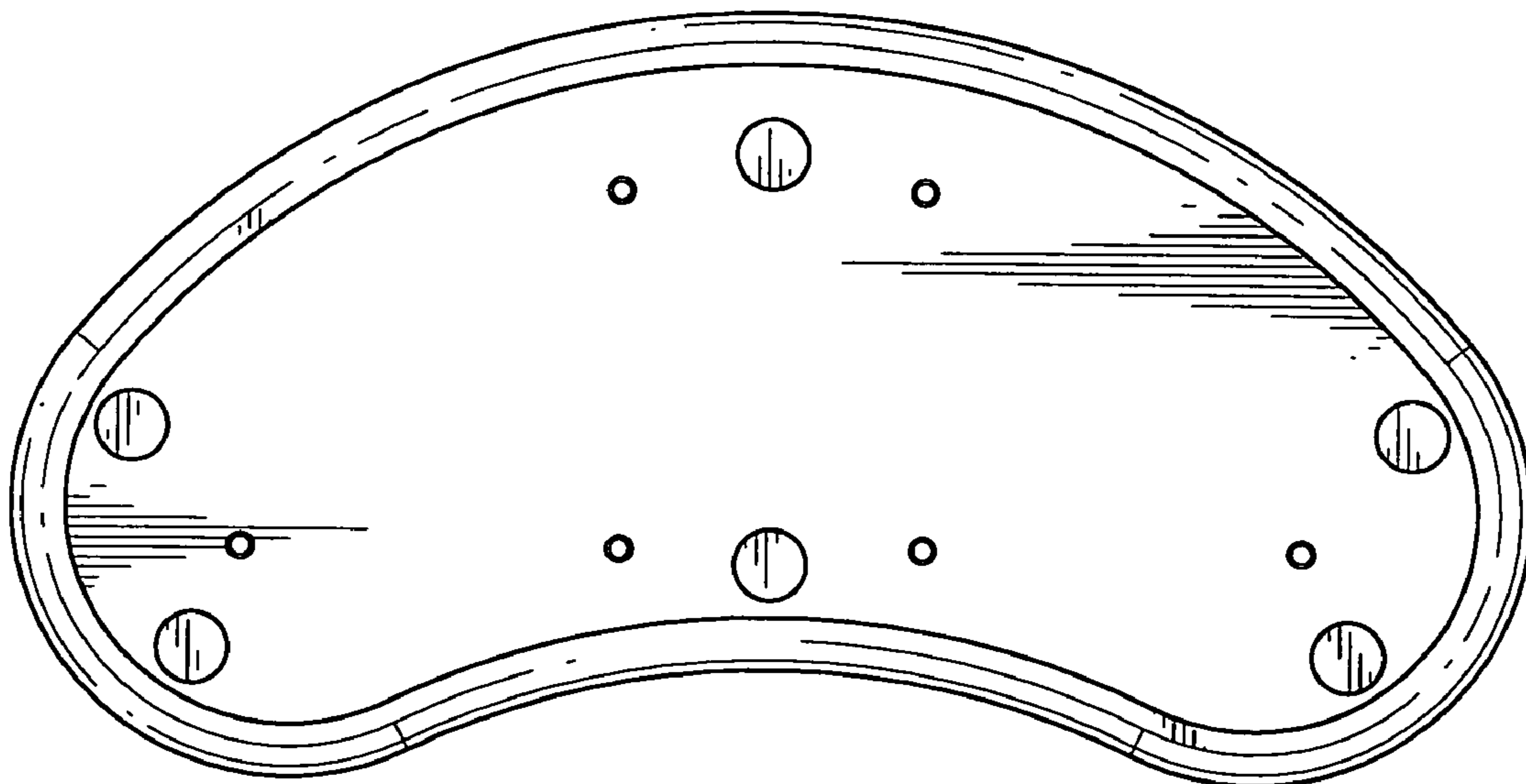


FIG. 3

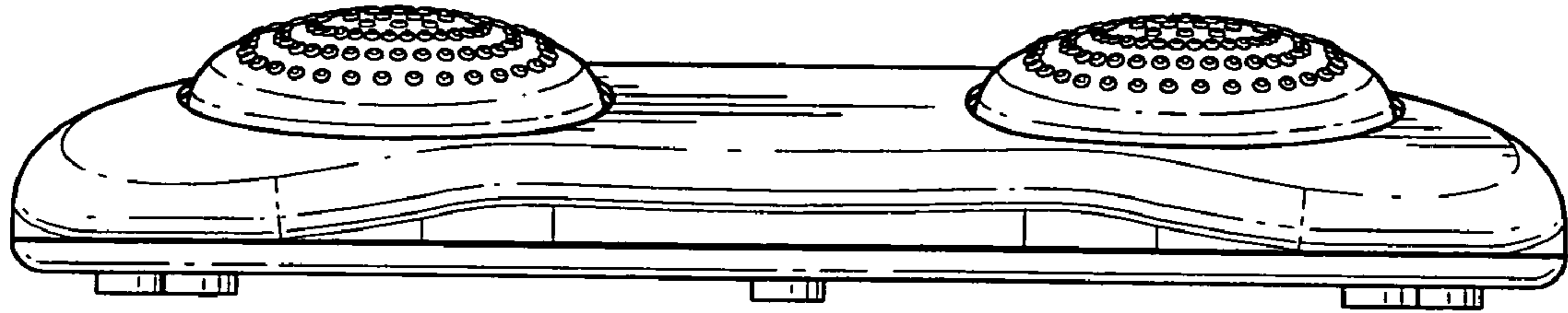


FIG. 4

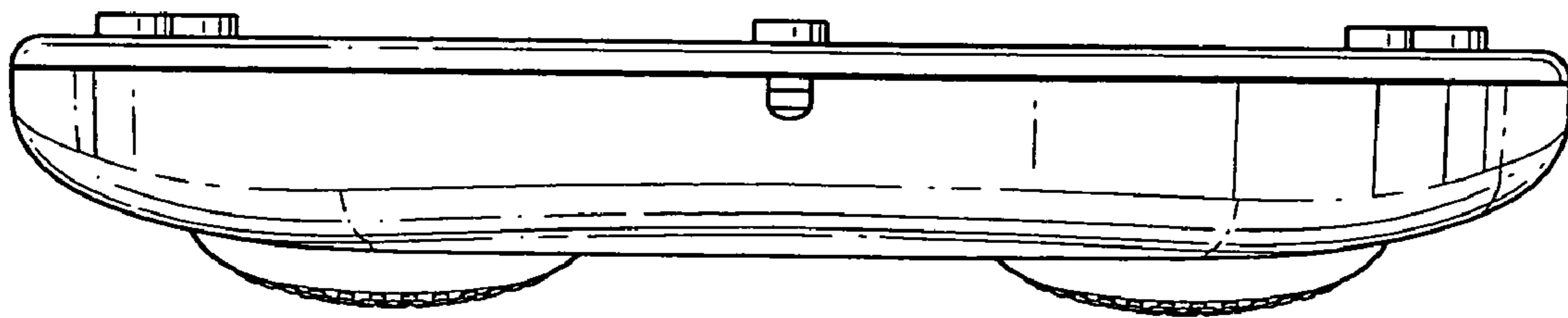


FIG. 5

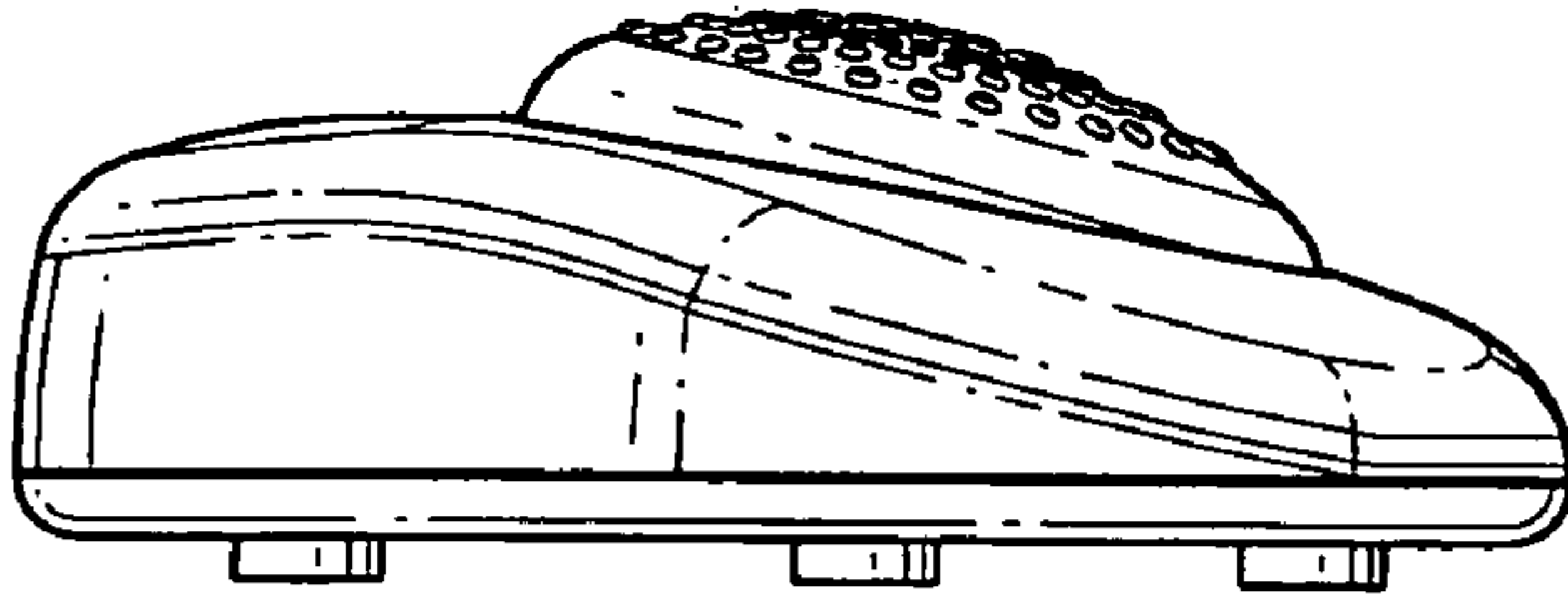


FIG. 6

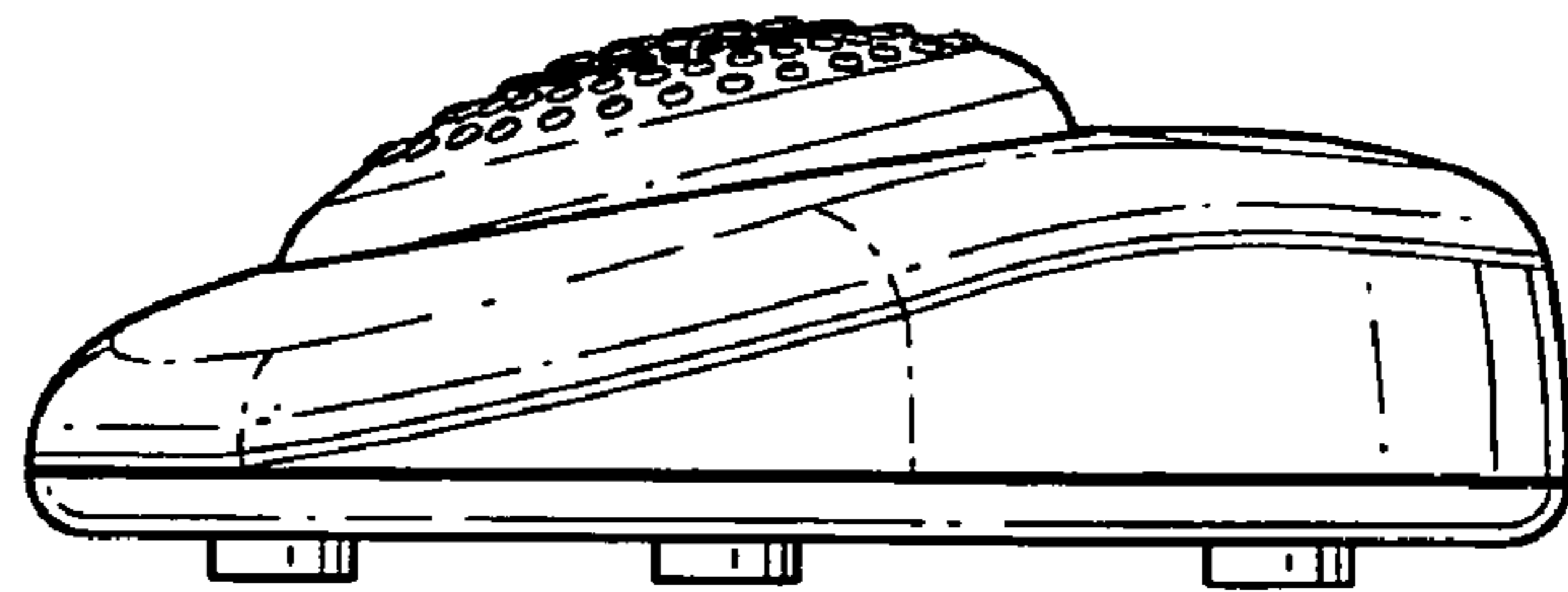


FIG. 7