

US00D549223S

(12) **United States Design Patent**  
**McKimm et al.**

(10) **Patent No.:** **US D549,223 S**

(45) **Date of Patent:** **\*\* Aug. 21, 2007**

(54) **TELECOMMUNICATION APPARATUS**

(75) Inventors: **Frazer McKimm**, Milan (IT); **Gen Ito**, Milan (IT); **Giovanni Tagliabue**, Milan (IT)

(73) Assignee: **Pirelli & C. S.p.A.**, Milan (IT)

(\*\*) Term: **14 Years**

(21) Appl. No.: **29/255,355**

(22) Filed: **Mar. 8, 2006**

(30) **Foreign Application Priority Data**

Sep. 8, 2005 (EM) ..... 00397435

(51) **LOC (8) Cl.** ..... **14-02**

(52) **U.S. Cl.** ..... **D14/240**

(58) **Field of Classification Search** ..... D14/240, D14/242, 246, 192, 223, 356, 358, 140.1, D14/140.4; D13/184, 123; 181/129-130; 379/430, 431, 433.01, 420.03, 957, 52, 106.1, 379/333-337, 387.01, 399.01, 413.02, 413.04; 455/569.1, 510, 524, 90.3; 439/717  
See application file for complete search history.

(56) **References Cited**

**U.S. PATENT DOCUMENTS**

4,829,591 A \* 5/1989 Hashimoto et al. .... 455/90.3  
D441,744 S \* 5/2001 Miyazaki ..... D14/240  
D453,331 S \* 2/2002 Probasco et al. .... D14/240  
D478,069 S \* 8/2003 Beck et al. .... D14/240

D482,678 S \* 11/2003 Chung ..... D14/240  
D490,072 S \* 5/2004 Chan ..... D14/240  
D490,802 S \* 6/2004 Beck et al. .... D14/240  
D494,574 S \* 8/2004 Schmidt et al. .... D14/240  
D499,087 S \* 11/2004 Peng et al. .... D14/240  
D511,341 S \* 11/2005 Chen ..... D14/240

\* cited by examiner

*Primary Examiner*—Charles A. Rademaker

(74) *Attorney, Agent, or Firm*—Finnegan, Henderson, Farabow, Garrett & Dunner, L.L.P.

(57) **CLAIM**

The ornamental design for a telecommunication apparatus, as shown and described.

**DESCRIPTION**

FIG. 1 is a right side elevation of a telecommunication apparatus showing our new design;

FIG. 2 is a front elevation thereof;

FIG. 3 is a left side elevation thereof;

FIG. 4 is a rear elevation thereof;

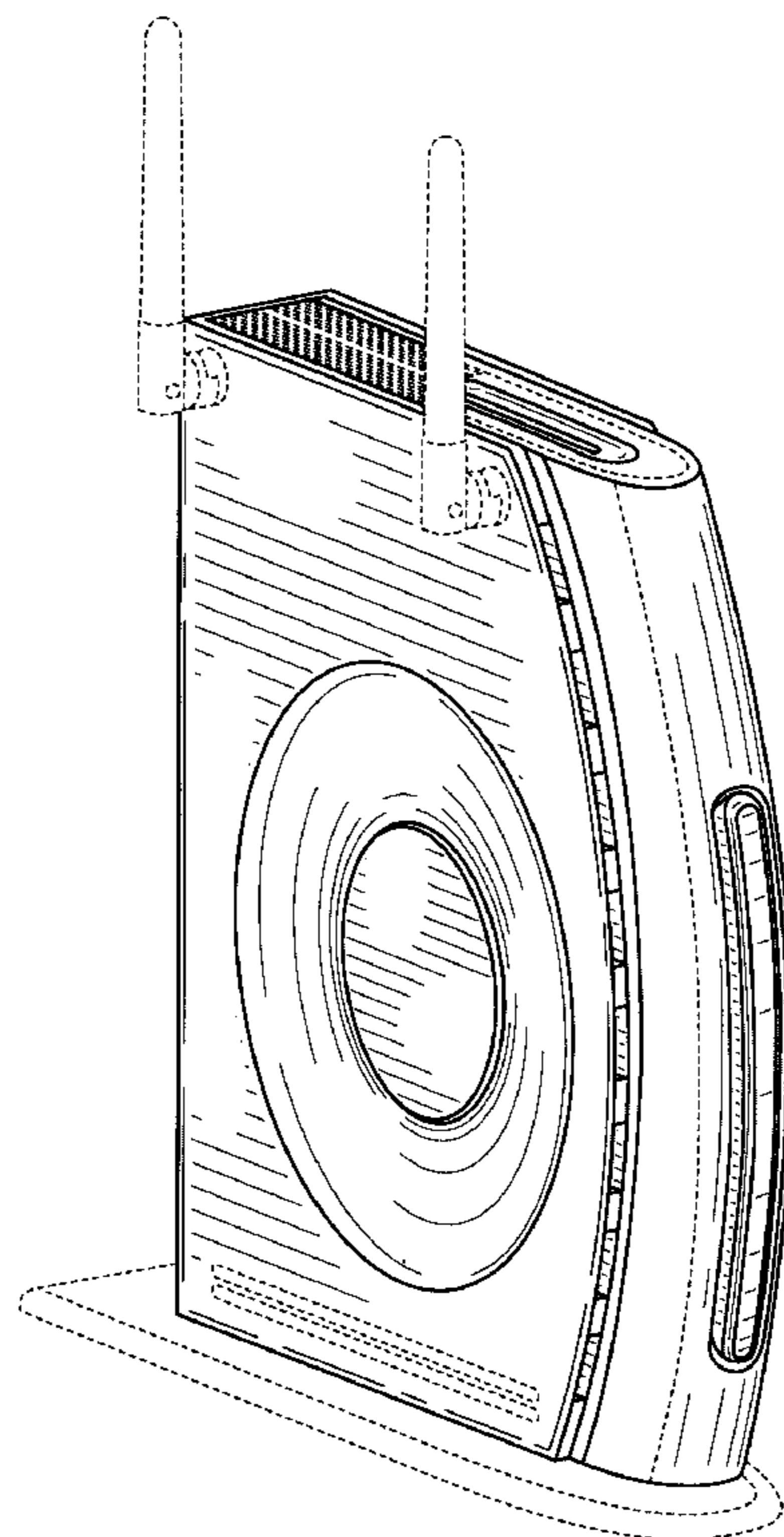
FIG. 5 is a top plan view thereof;

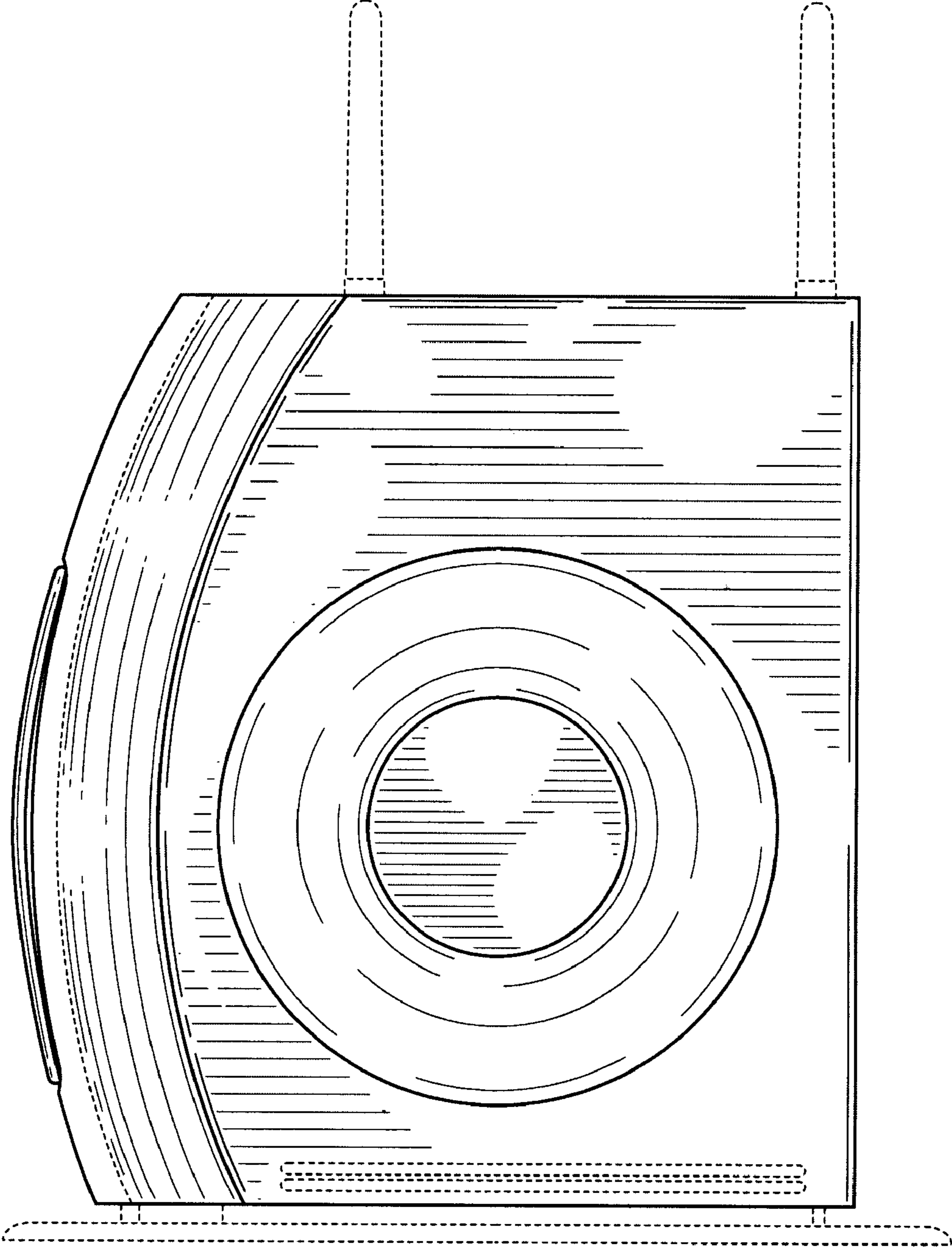
FIG. 6 is a left side perspective view thereof; and,

FIG. 7 is a right side perspective view thereof.

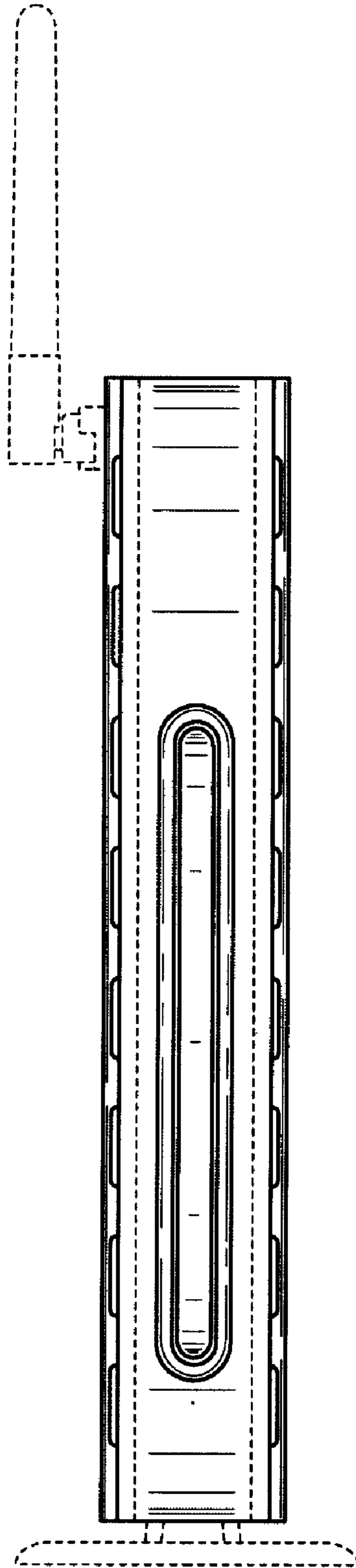
The broken line showing of environment in the figure drawings is included for the purposes of illustration and forms no part of the claimed design.

**1 Claim, 7 Drawing Sheets**

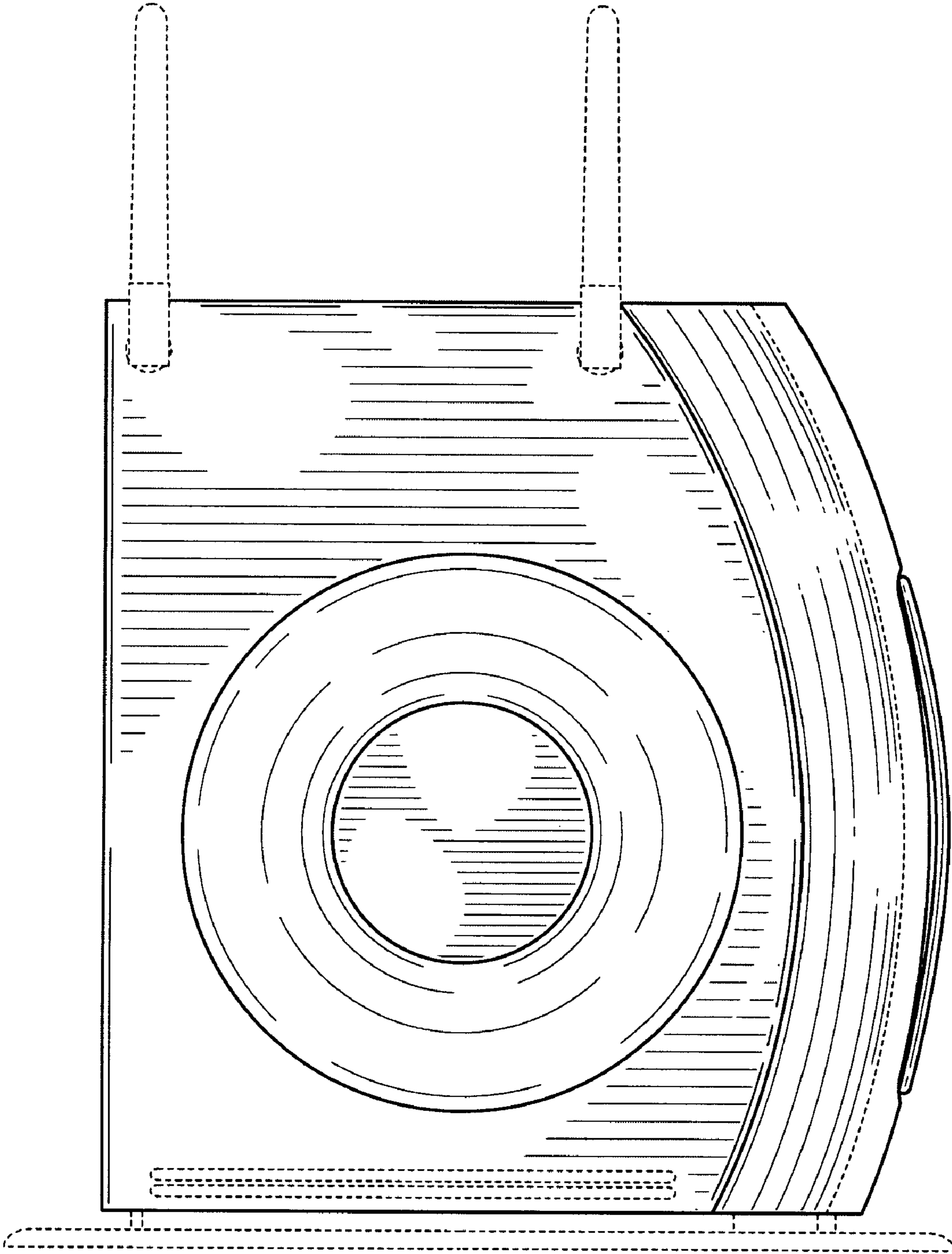




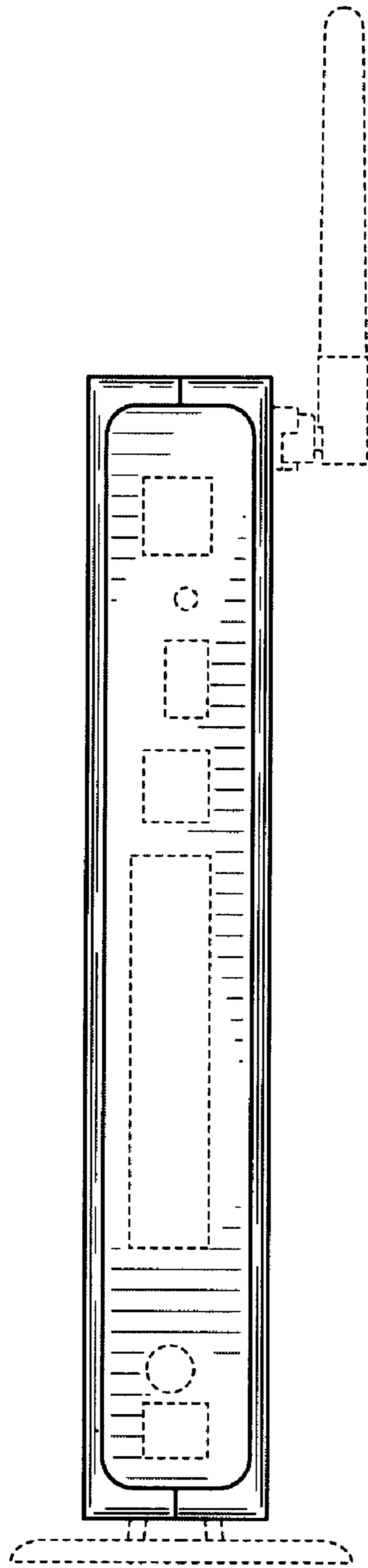
**FIG. 1**



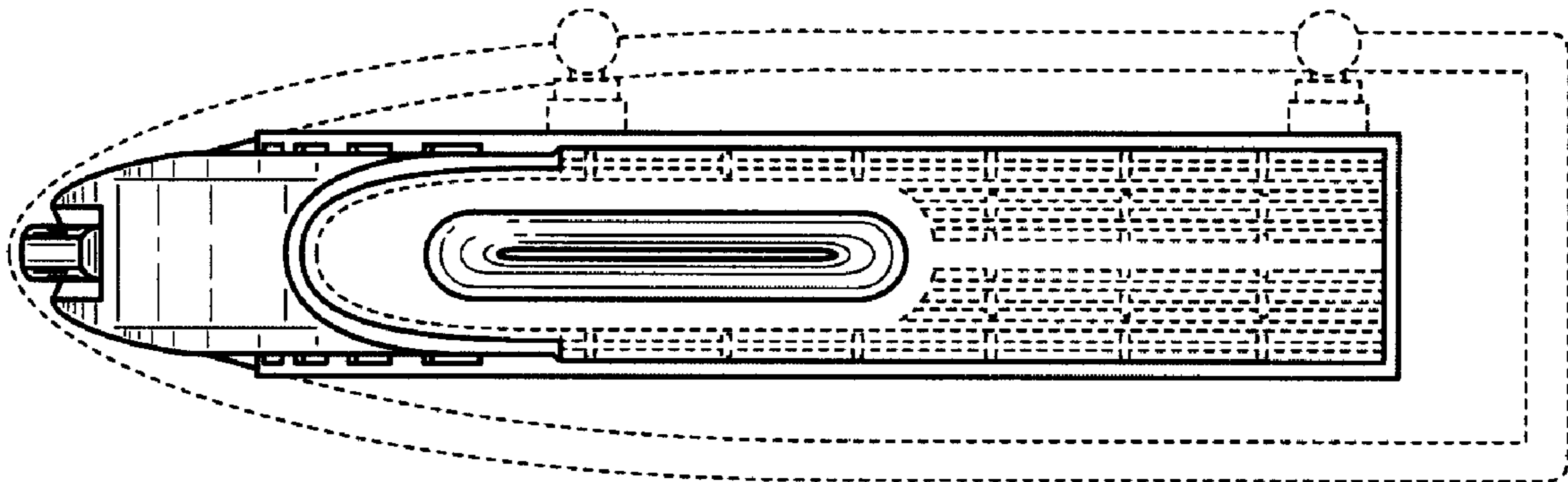
**FIG. 2**



**FIG. 3**

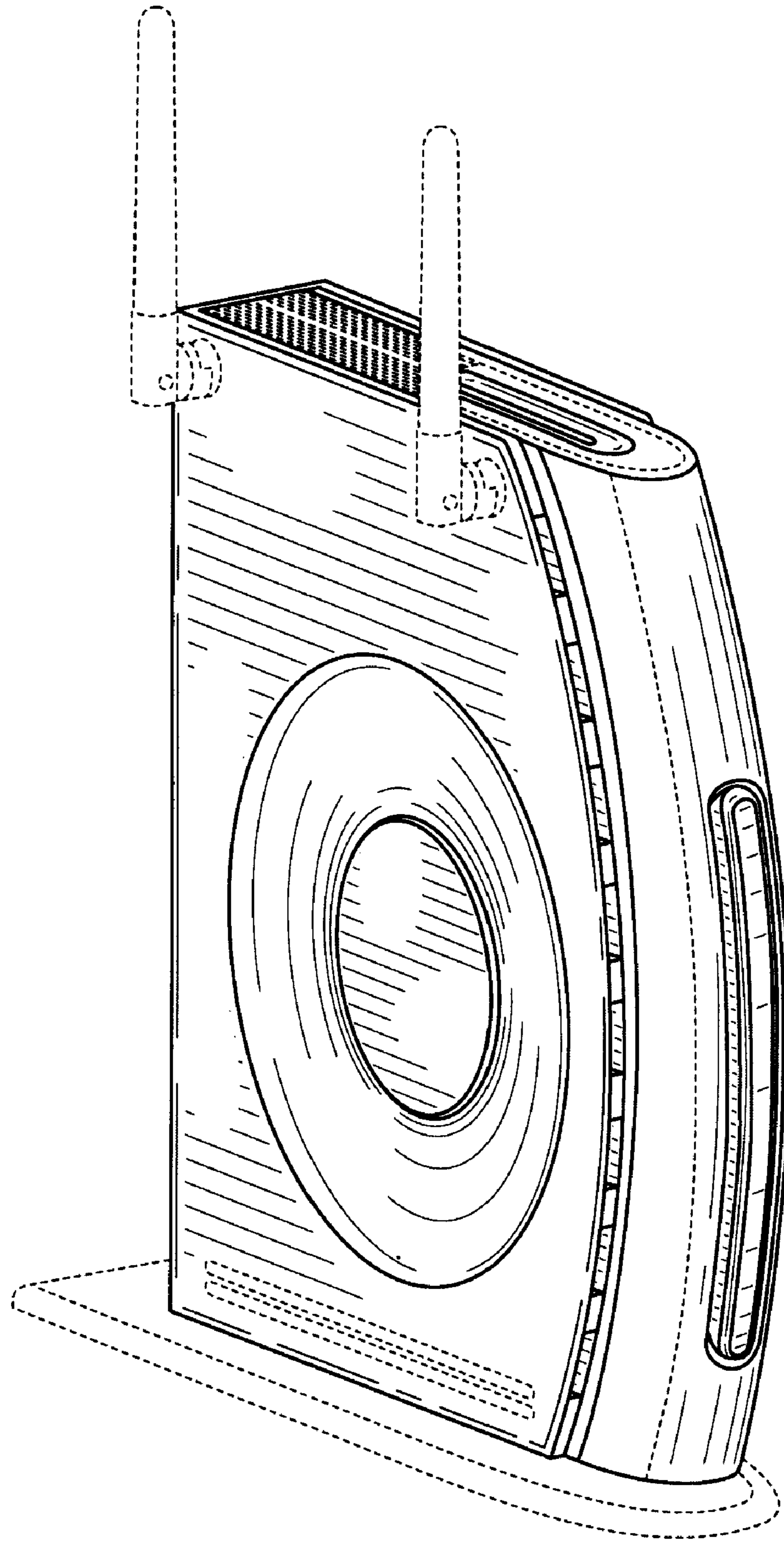


**FIG. 4**

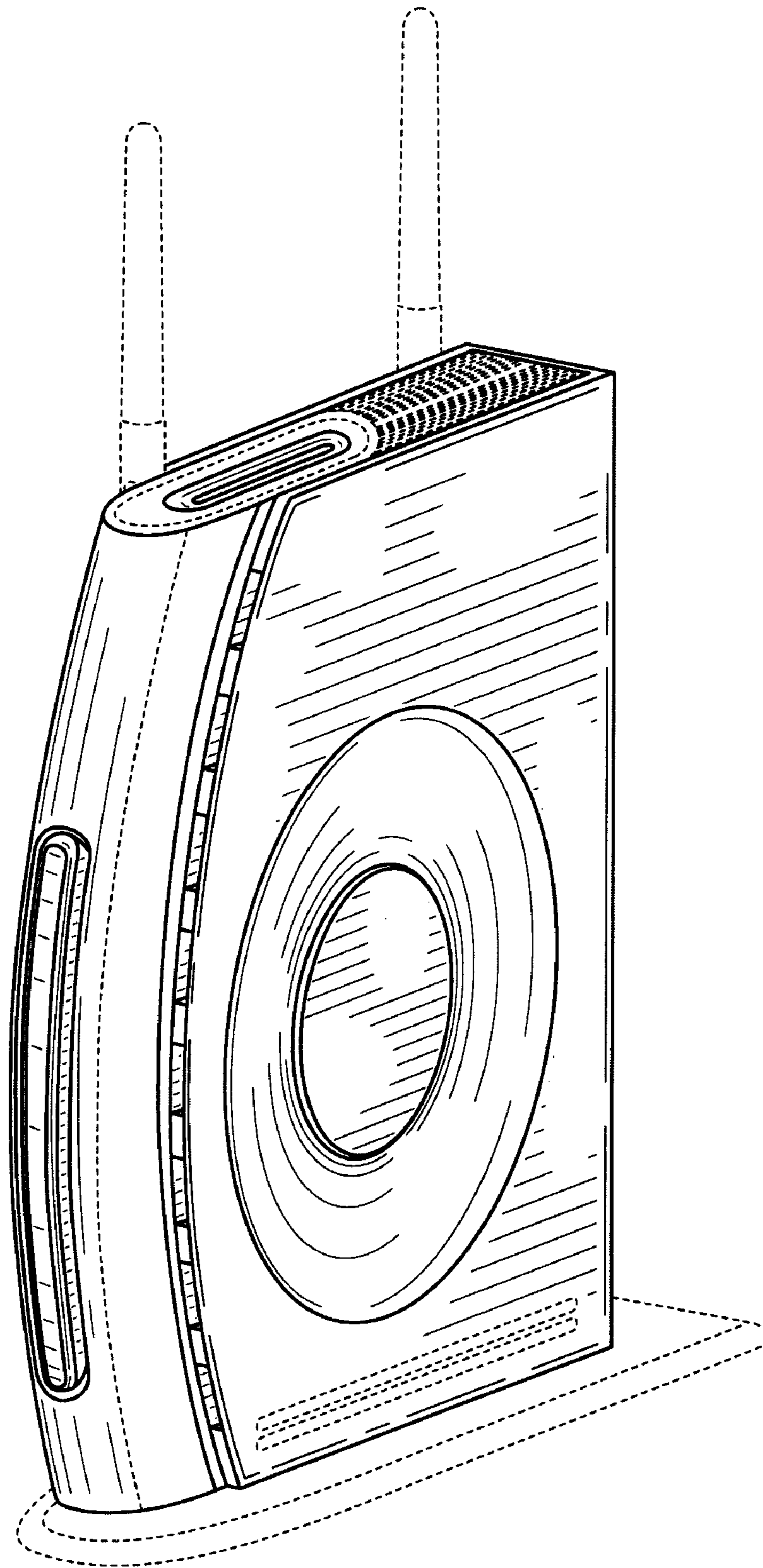


**FIG. 5**





**FIG. 6**



**FIG. 7**