



US00D549218S

(12) **United States Design Patent**
Omoda et al.

(10) **Patent No.:** **US D549,218 S**

(45) **Date of Patent:** **** Aug. 21, 2007**

(54) **LOUDSPEAKER FOR A MOTORCYCLE**

D473,211 S * 4/2003 Price et al. D14/214

D497,154 S * 10/2004 Lin et al. D14/204

D497,611 S * 10/2004 Borsboom D14/214

(75) Inventors: **Manabu Omoda**, Sagamihara (JP);
Masahiro Watanabe, Tokyo (JP)

(73) Assignee: **Victor Company of Japan, Limited**,
Yokohama (JP)

* cited by examiner

Primary Examiner—Nanda Bondade

(74) *Attorney, Agent, or Firm*—The Nath Law Group; Jerald
L. Meyer; Derek Richmond

(**) Term: **14 Years**

(21) Appl. No.: **29/251,539**

(22) Filed: **Jan. 10, 2006**

(30) **Foreign Application Priority Data**

Jul. 15, 2005 (JP) D2005-020739

(51) **LOC (8) Cl.** **14-01**

(52) **U.S. Cl.** **D14/214**

(58) **Field of Classification Search** D14/204,
D14/207, 209–217, 172; 181/143–144, 147–148,
181/150, 157, 198–199, 151, 153; 381/300–302,
381/306, 333, 345, 361–364, 386–388, 332,
381/336

See application file for complete search history.

(56) **References Cited**

U.S. PATENT DOCUMENTS

D250,711 S * 1/1979 Persson et al. D12/214

(57) **CLAIM**

The ornamental design for a loudspeaker for a motorcycle,
as shown and described.

DESCRIPTION

FIG. 1 is a perspective view of a loudspeaker for a motor-
cycle;

FIG. 2 is a front view thereof;

FIG. 3 is a rear view thereof;

FIG. 4 is a right side view thereof;

FIG. 5 is a left side view thereof;

FIG. 6 is a top plan view thereof; and,

FIG. 7 is a bottom view thereof.

1 Claim, 4 Drawing Sheets

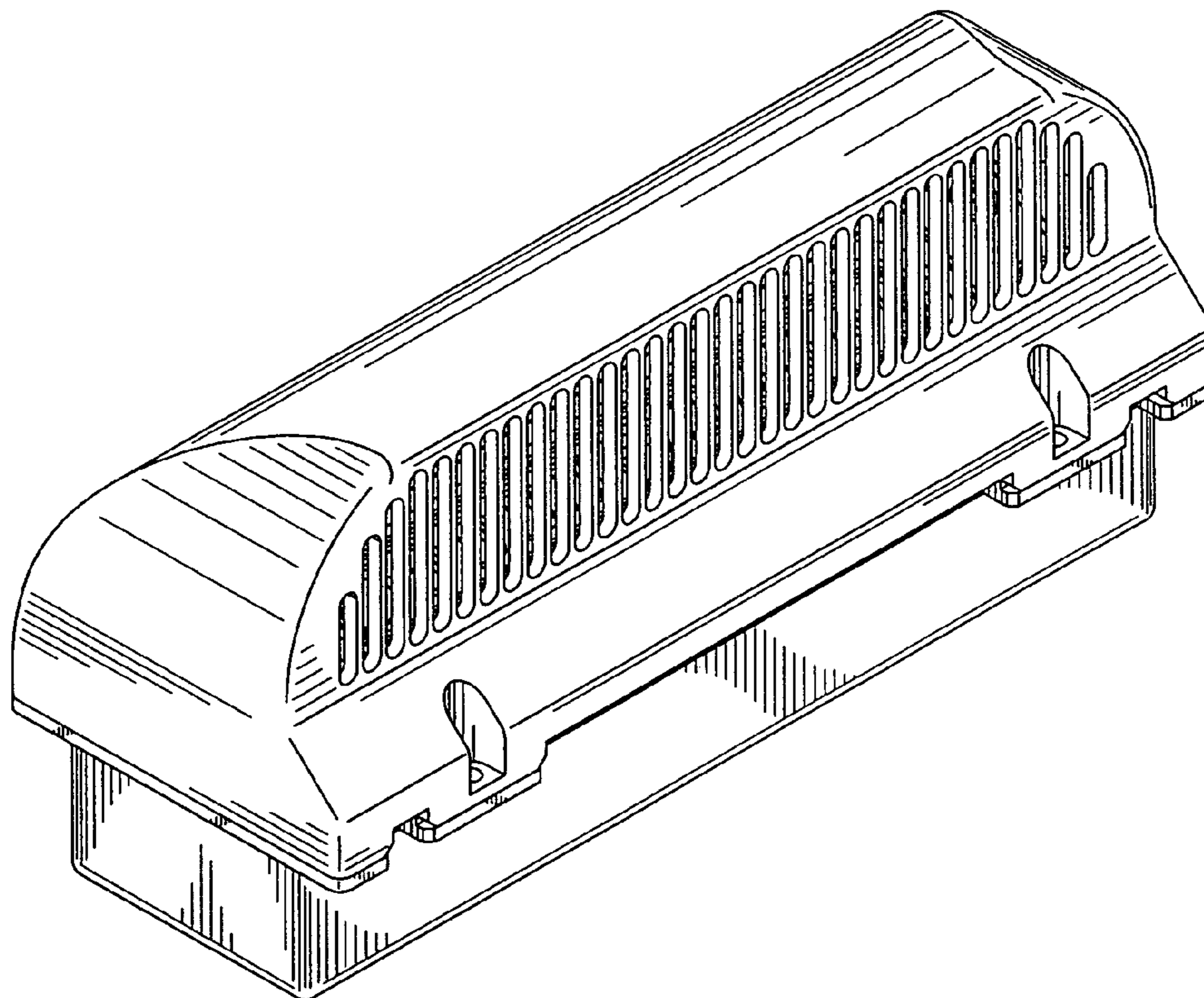


Fig. 1

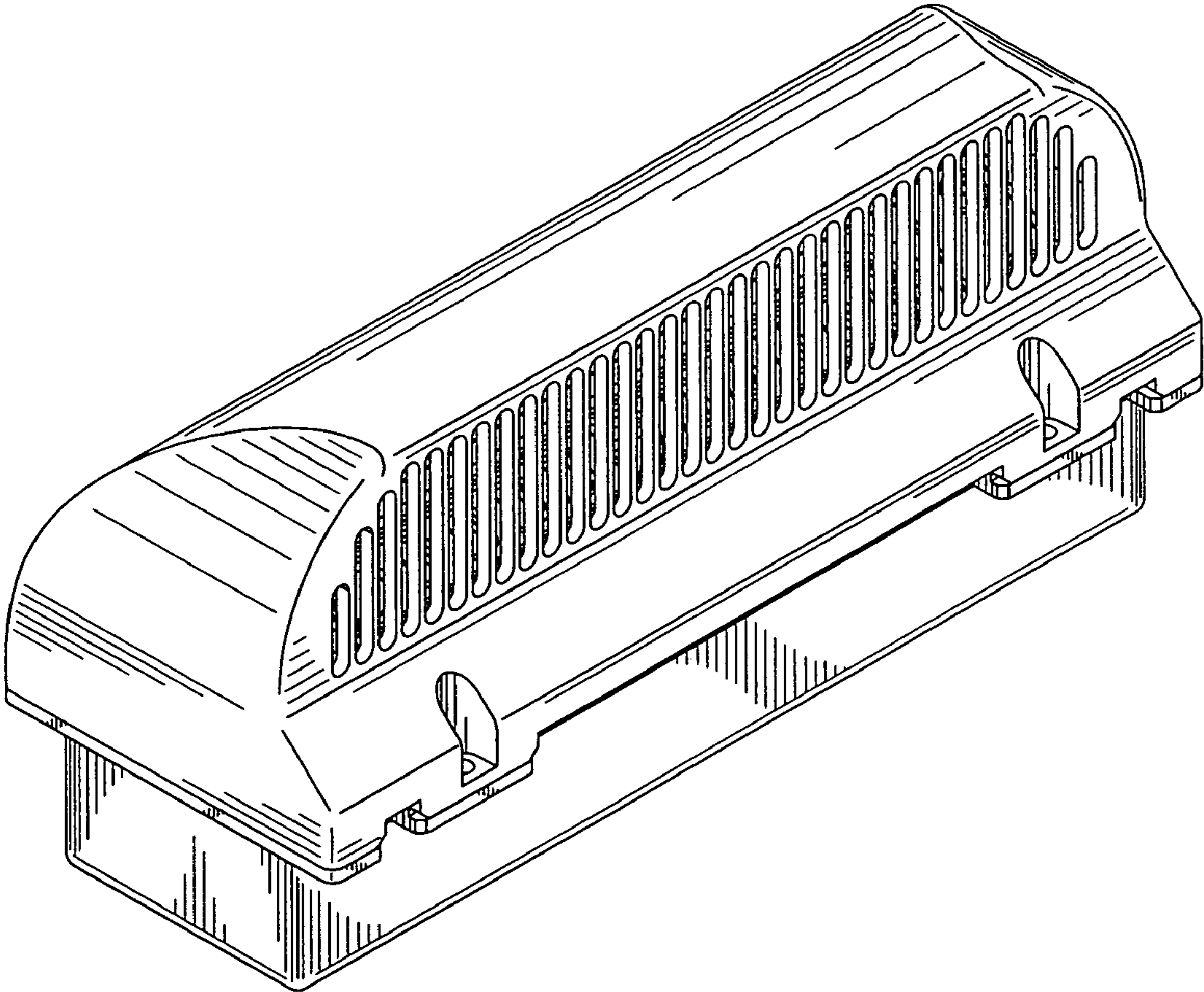


Fig.2

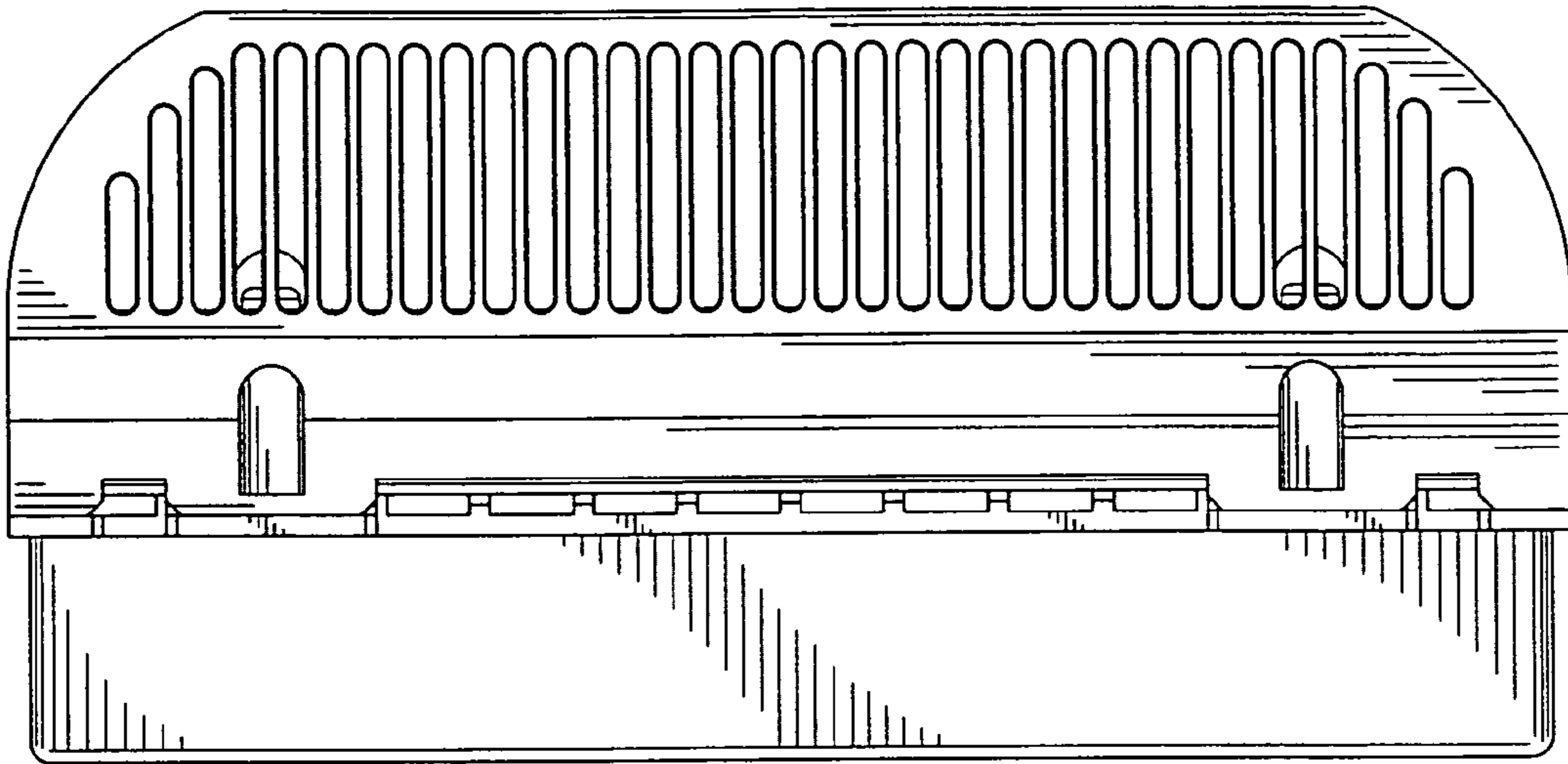


Fig.3

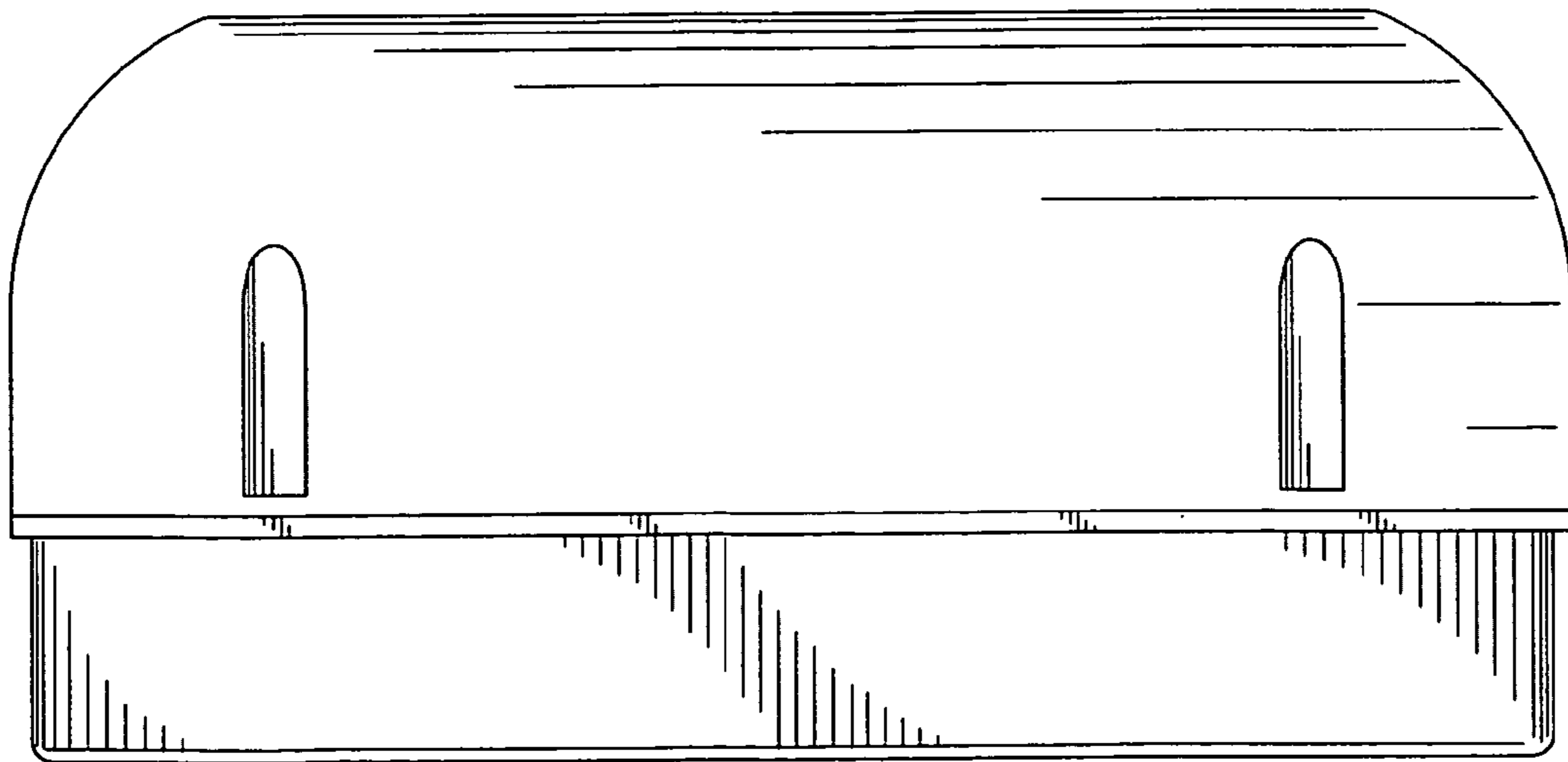


Fig.4

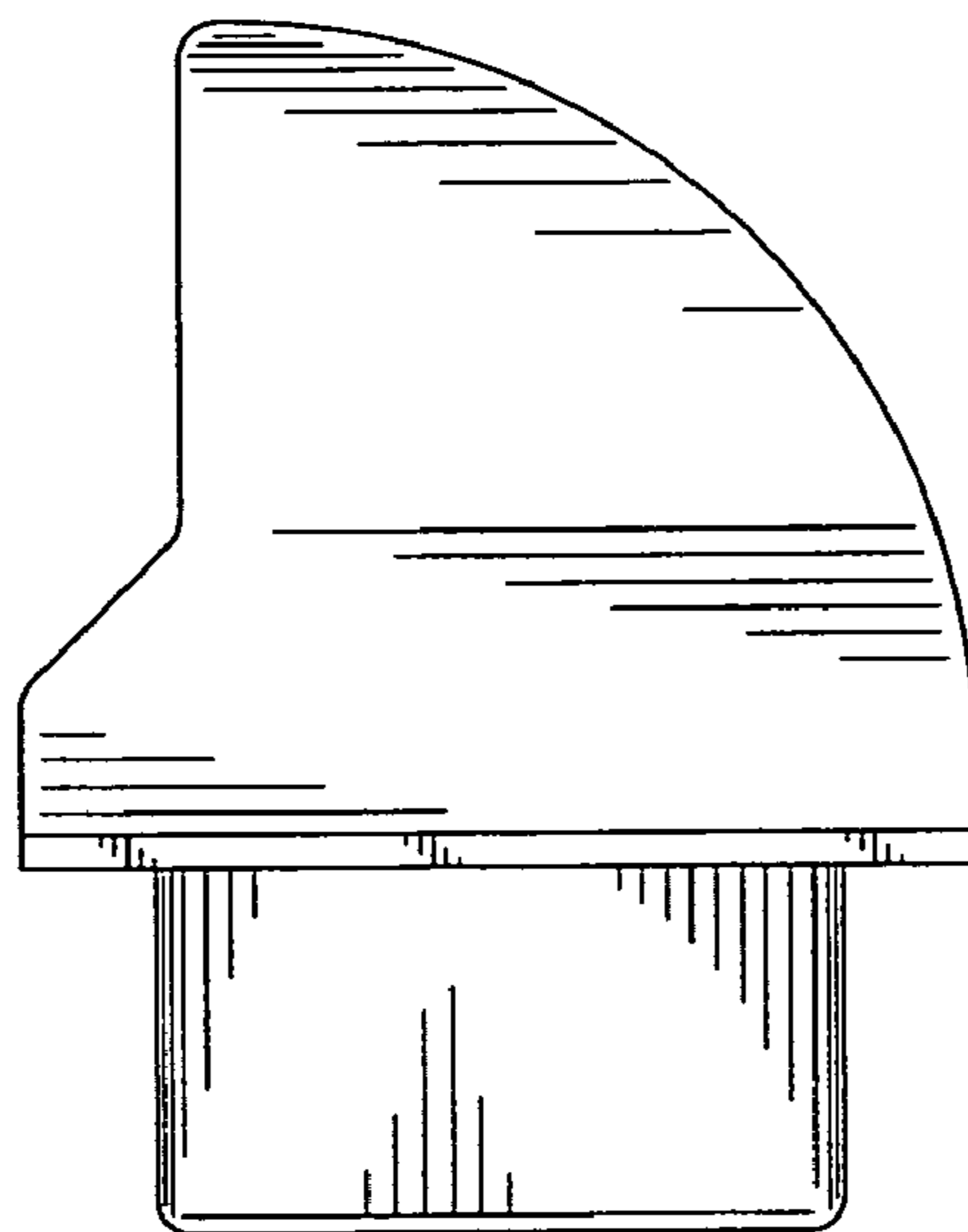


Fig.5

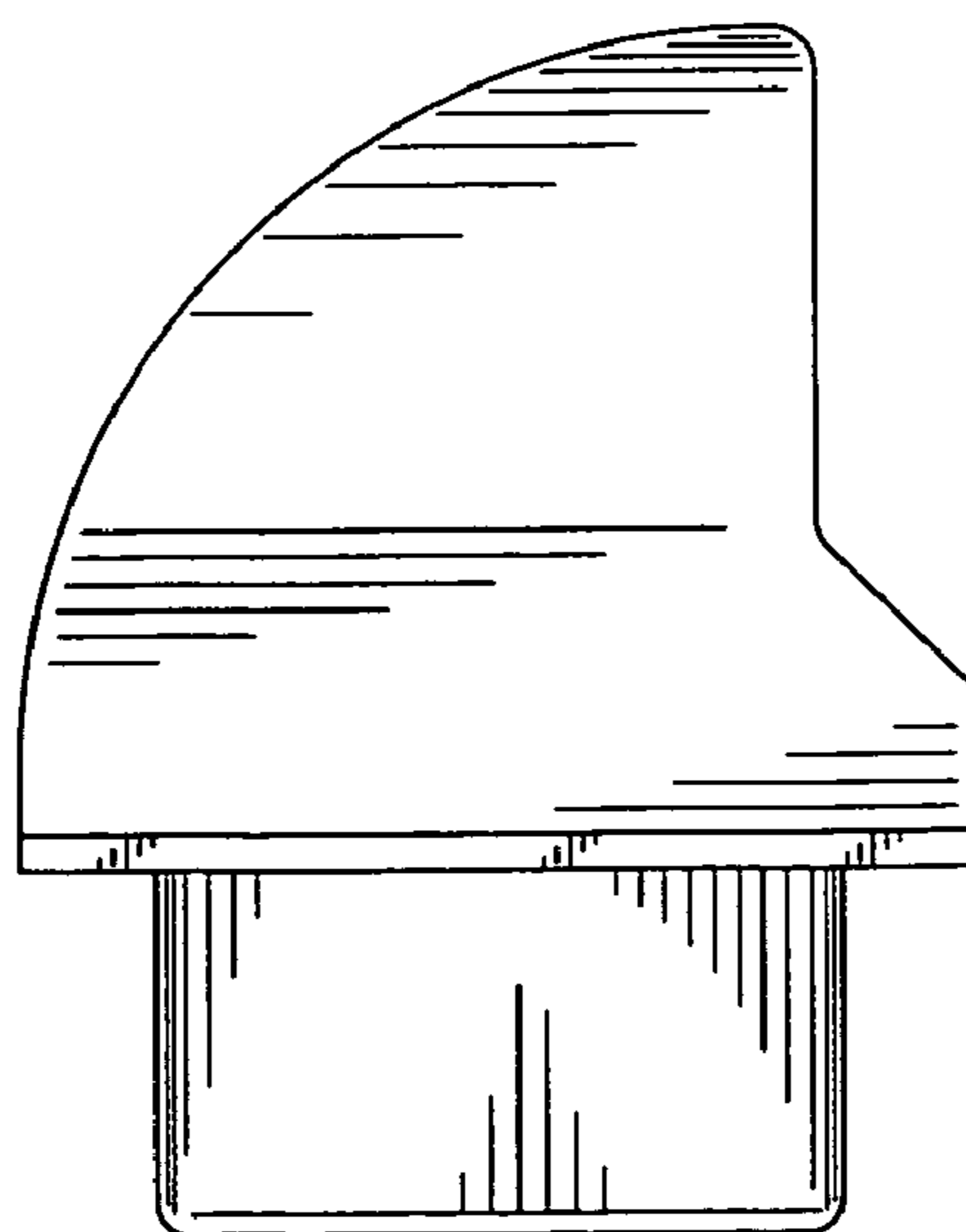


Fig.6

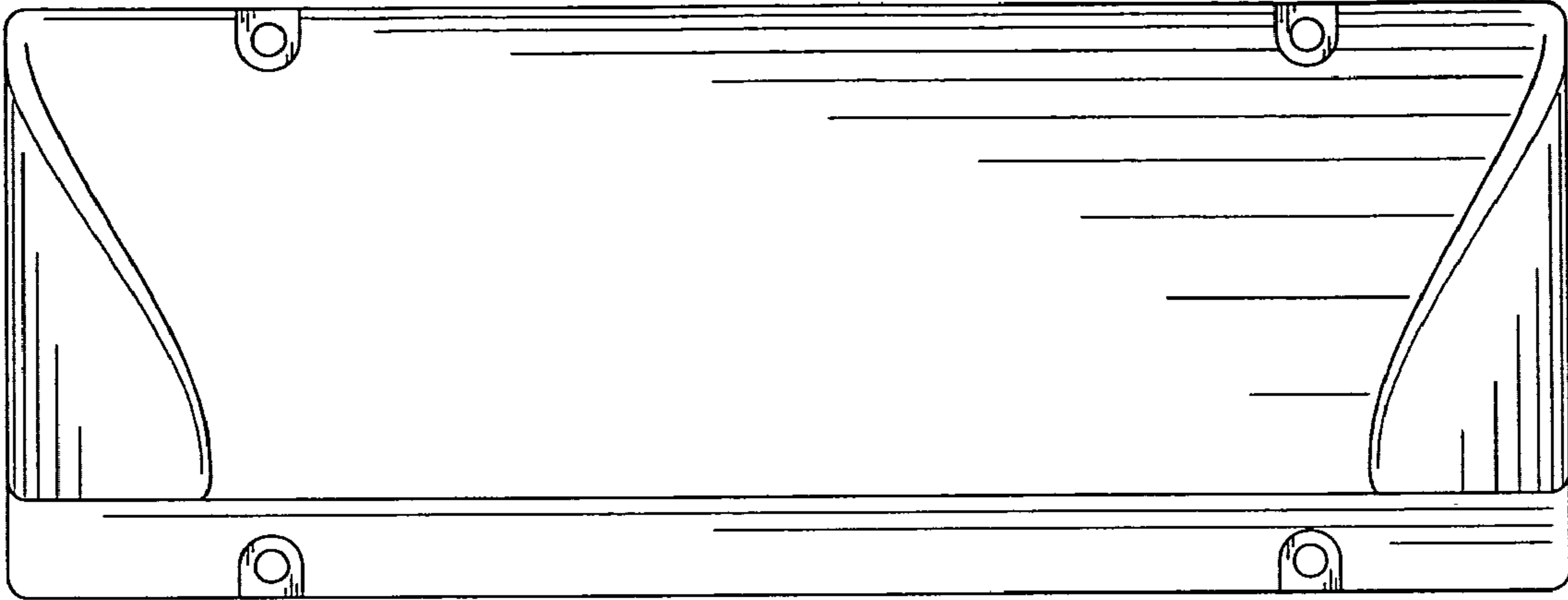


Fig.7

