

US00D549214S

(12) **United States Design Patent**
Uehara

(10) **Patent No.:** **US D549,214 S**

(45) **Date of Patent:** **** Aug. 21, 2007**

(54) **AMPLIFIER**

D524,286 S * 7/2006 Sogabe D14/168

(75) Inventor: **Mitsuhiro Uehara**, Tokyo (JP)

(73) Assignee: **Sony Corporation**, Tokyo (JP)

(**) Term: **14 Years**

(21) Appl. No.: **29/251,276**

(22) Filed: **Jan. 6, 2006**

(30) **Foreign Application Priority Data**

Sep. 27, 2005 (KR) 30-2005-0032573

(51) **LOC (8) Cl.** **14-03**

(52) **U.S. Cl.** **D14/188**

(58) **Field of Classification Search** D14/168,
D14/169, 179, 188, 192-198, 217, 265, 299;
330/1 R, 3, 4, 250; 381/86, 120; 455/344-351
See application file for complete search history.

(56) **References Cited**

U.S. PATENT DOCUMENTS

- D327,072 S * 6/1992 Christie D14/188
- D343,395 S * 1/1994 Kakizaki D14/188
- D415,157 S * 10/1999 Rabbani D14/188
- D433,010 S * 10/2000 Yamamizu et al. D14/188
- D500,489 S 1/2005 Uehara et al.
- D500,752 S * 1/2005 Uehara et al. D14/188
- D513,247 S 12/2005 Matsuoka

OTHER PUBLICATIONS

Web page "XM-SD61X" http://www.sony.de/view/ShowProduct.action?product=XM-SD61X&site=odw_deDE&pageType=Overview&category=ICA+Amplifiers, 1 sheet, Sony (Nov. 2005).

* cited by examiner

Primary Examiner—Stella Reid

Assistant Examiner—Keli' L. Acker

(74) *Attorney, Agent, or Firm*—Rader, Fishman & Grauer PLLC

(57) **CLAIM**

The ornamental design for an amplifier, as shown.

DESCRIPTION

FIG. 1 is a perspective view of an amplifier showing our new design;

FIG. 2 is a front elevational view thereof;

FIG. 3 is a rear elevational view thereof;

FIG. 4 is a left side elevational view thereof;

FIG. 5 is a right side elevational view thereof;

FIG. 6 is a top plan view thereof; and,

FIG. 7 is a bottom plan view thereof.

1 Claim, 7 Drawing Sheets

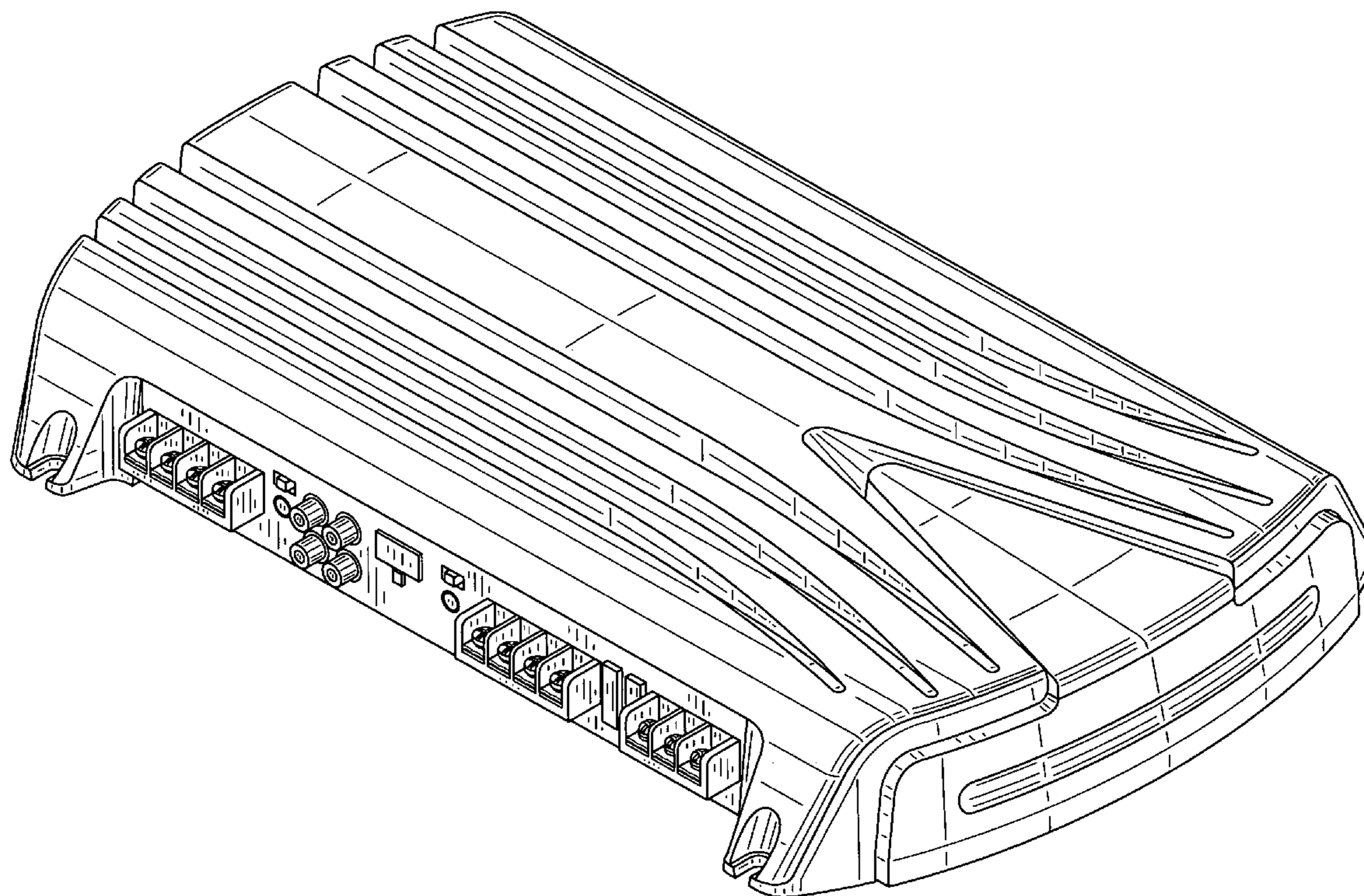
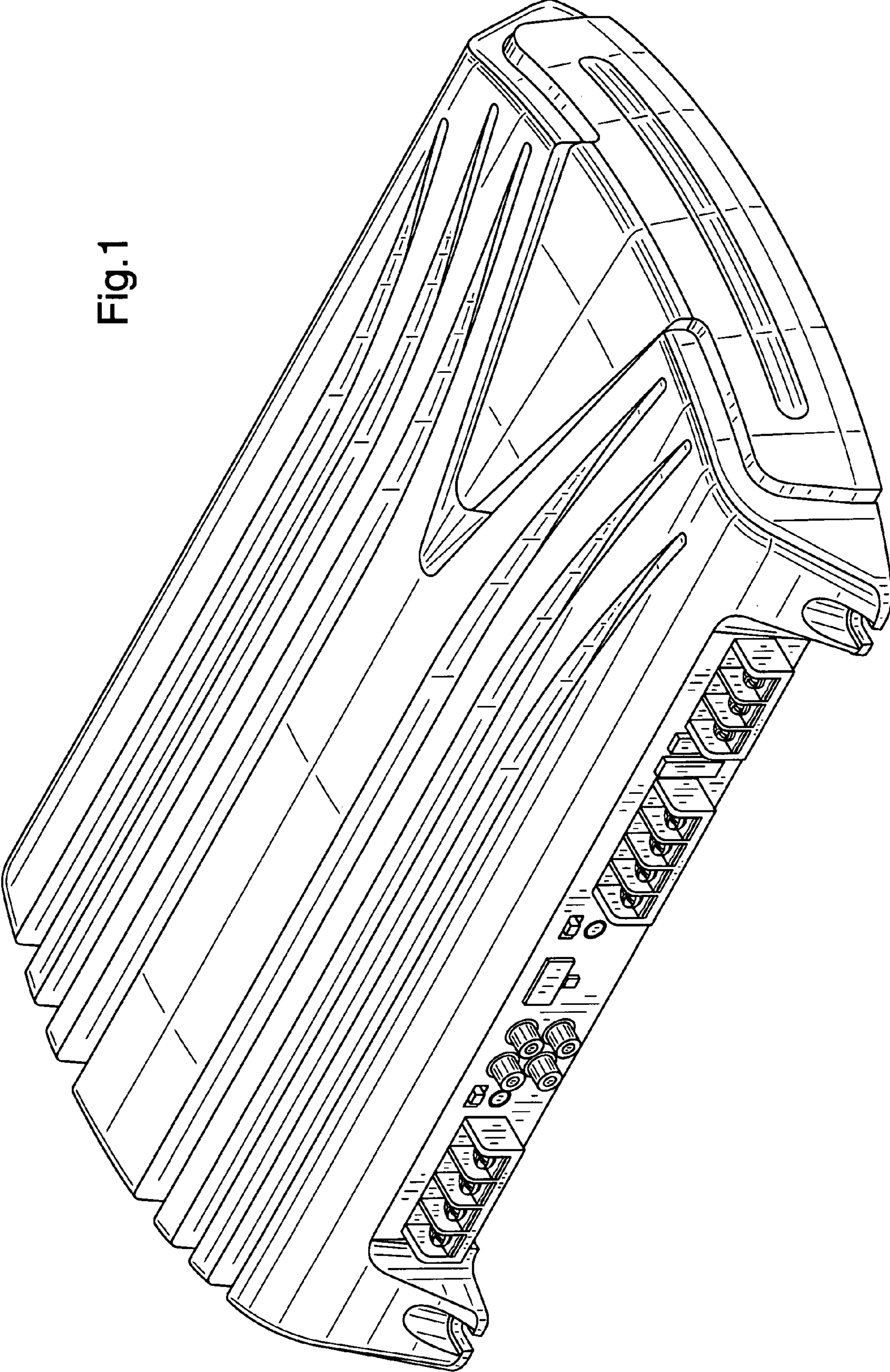


Fig.1



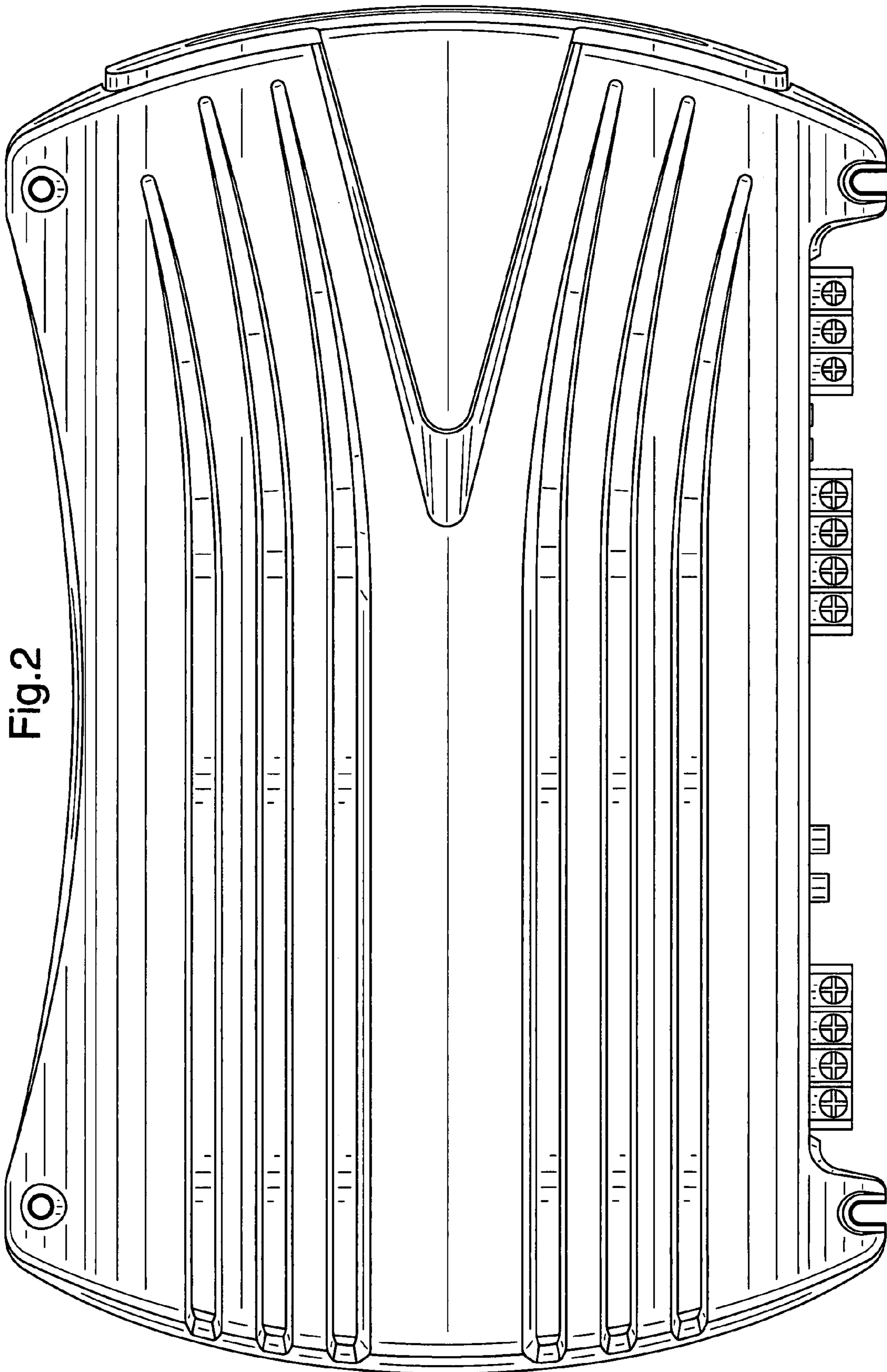


Fig.2

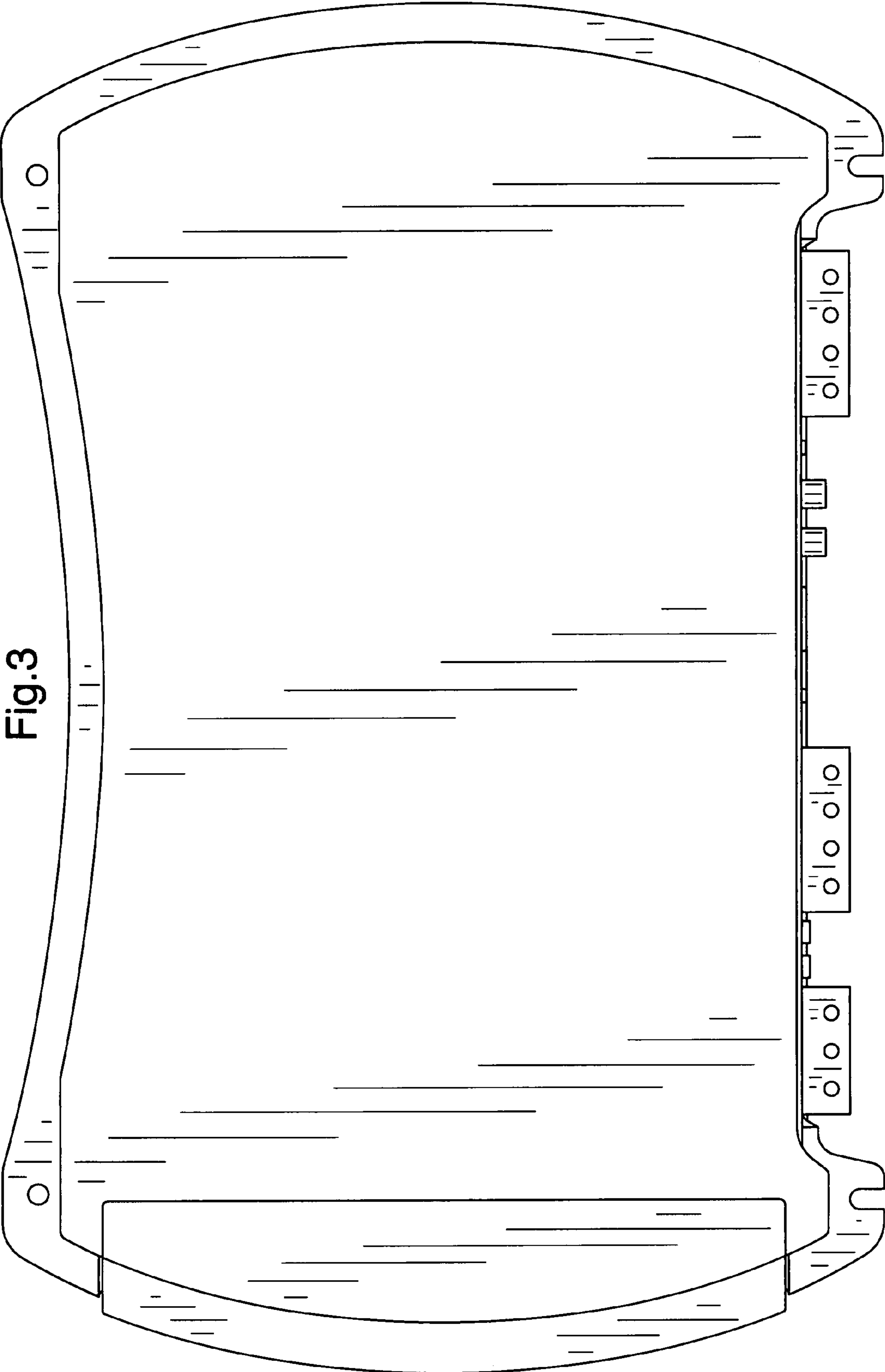


Fig.3

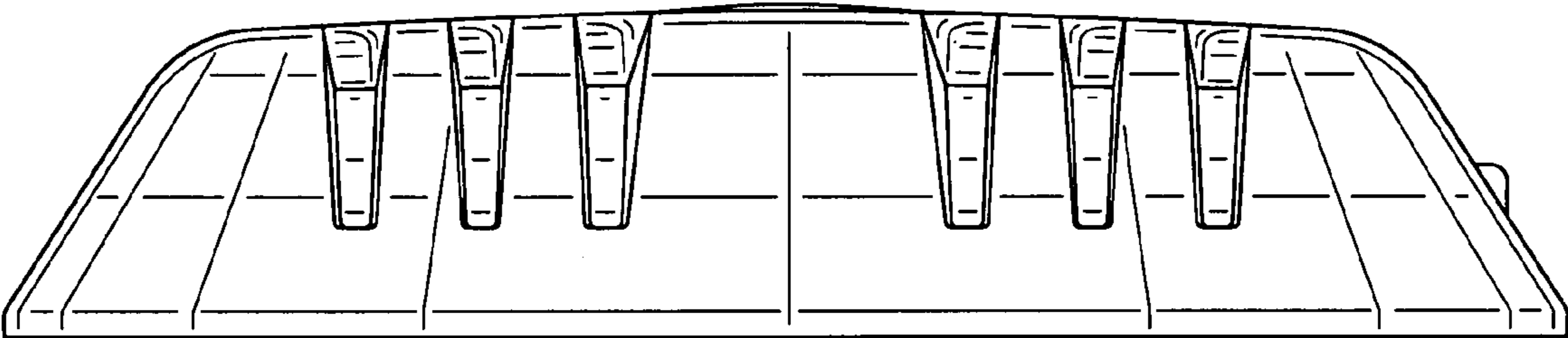


Fig.4

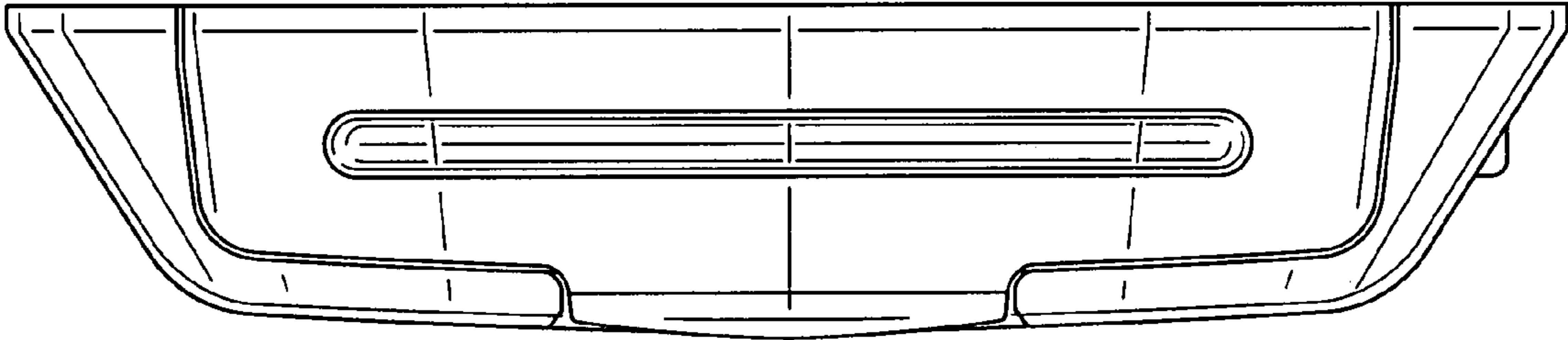


Fig.5

Fig.6

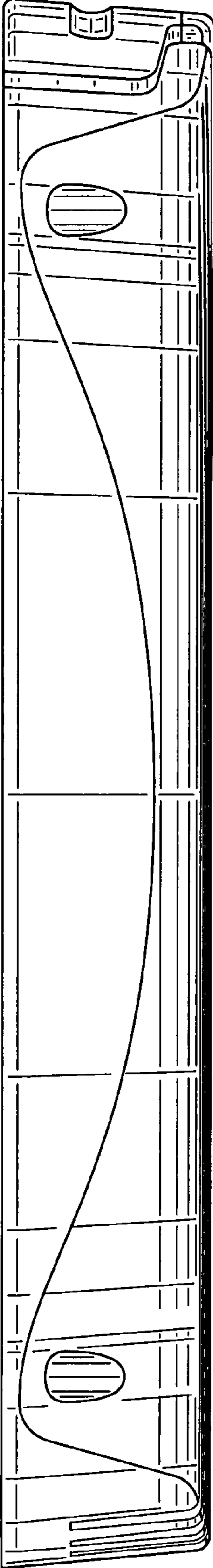


Fig.7

