



US00D549213S

(12) **United States Design Patent**
Warden

(10) **Patent No.:** **US D549,213 S**

(45) **Date of Patent:** **** *Aug. 21, 2007**

(54) **POWER AMPLIFIER**

(75) Inventor: **Robert A. Warden**, Southborough, MA
(US)

(73) Assignee: **Bose Corporation**, Framingham, MA
(US)

(*) Notice: This patent is subject to a terminal disclaimer.

(**) Term: **14 Years**

(21) Appl. No.: **29/236,764**

(22) Filed: **Aug. 22, 2005**

(51) **LOC (8) Cl.** **14-03**

(52) **U.S. Cl.** **D14/188; D14/265**

(58) **Field of Classification Search** D14/188,
D14/135, 136, 265, 160-164, 192-198; 455/344-351;
381/86, 120, 121

See application file for complete search history.

(56) **References Cited**

U.S. PATENT DOCUMENTS

4,513,405 A * 4/1985 Hills 369/12

4,578,739 A * 3/1986 McKee et al. 361/740

4,807,292 A	*	2/1989	Sorscher	381/86
4,940,414 A	*	7/1990	Lee	439/131
5,014,320 A	*	5/1991	Nagi et al.	381/96
5,285,500 A	*	2/1994	Mantz	381/86
D349,119 S	*	7/1994	Eberle et al.	D14/265
D416,904 S	*	11/1999	Rabbani	D14/188
6,028,945 A	*	2/2000	Gayle	381/120
D497,152 S	*	10/2004	Yeh	D14/188
D504,671 S	*	5/2005	Hasbrook et al.	D14/188

* cited by examiner

Primary Examiner—Prabhakar Deshmukh

(74) *Attorney, Agent, or Firm*—Fish & Richardson P.C.

(57) **CLAIM**

The ornamental design for a power amplifier, substantially as shown and described.

DESCRIPTION

FIG. 1 is a perspective in view of the invention;

FIG. 2 is a front view of thereof;

FIG. 3 is a rear view thereof;

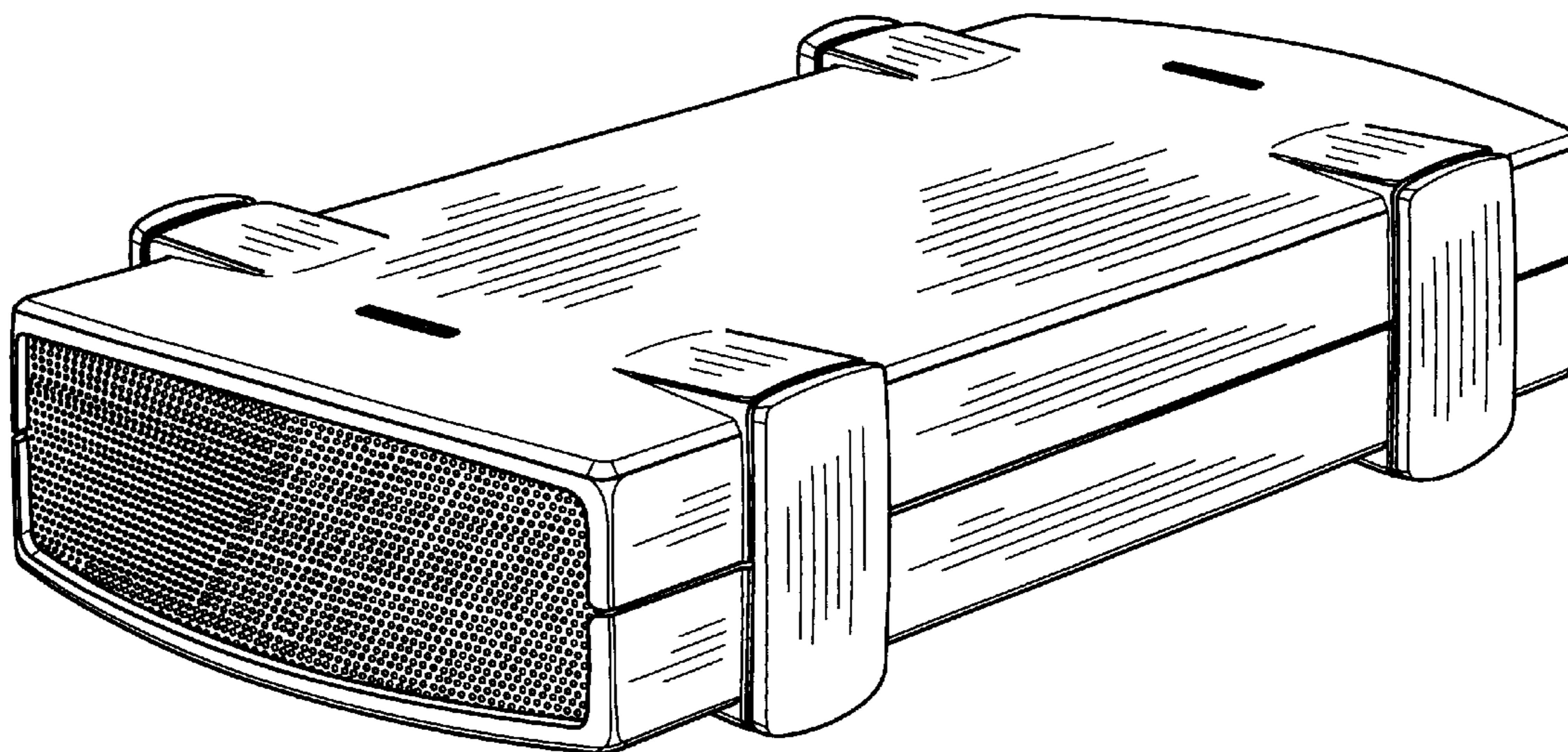
FIG. 4 is a one side view thereof;

FIG. 5 is an opposite side view thereof;

FIG. 6 is a top view thereof; and,

FIG. 7 is a bottom view thereof.

1 Claim, 3 Drawing Sheets



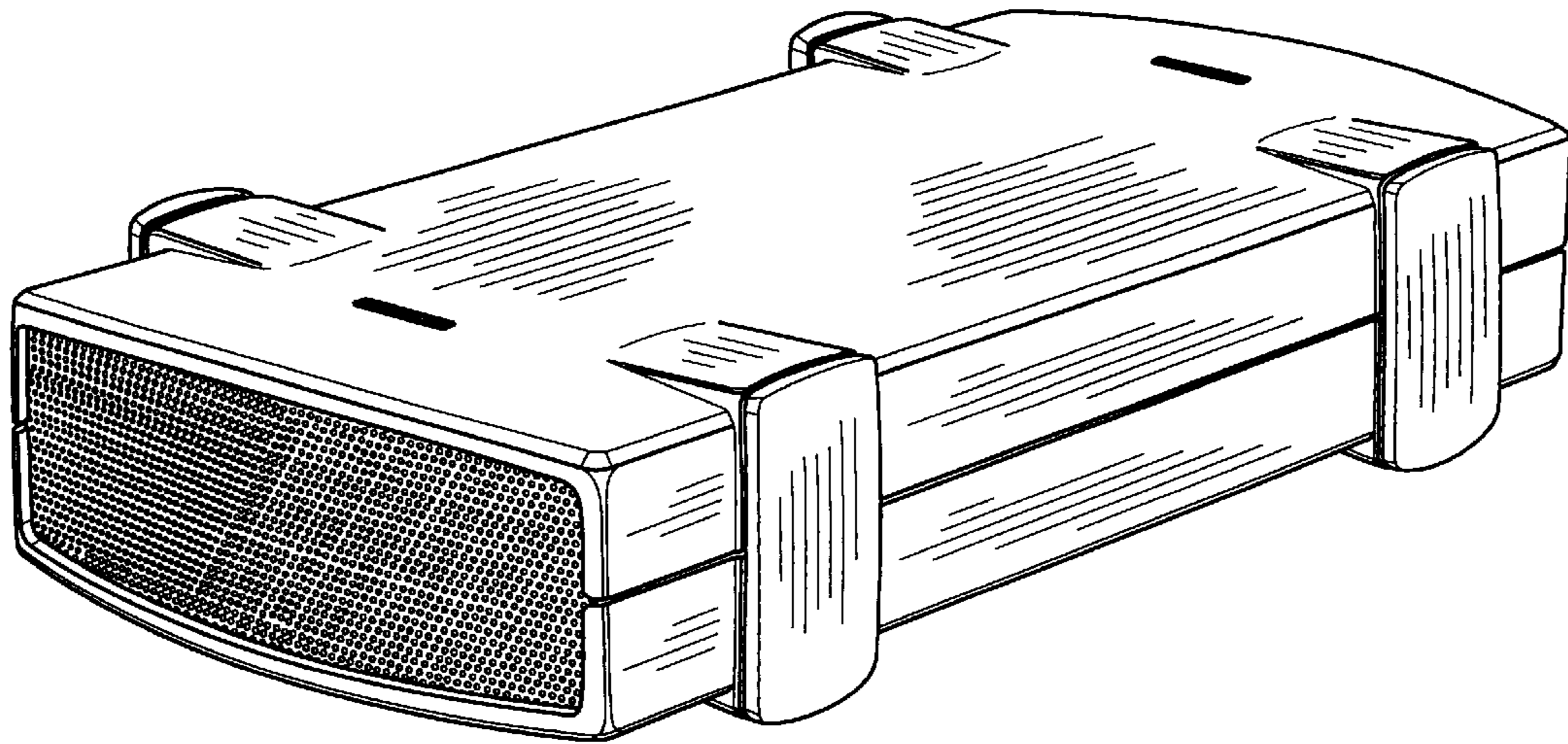


FIG. 1

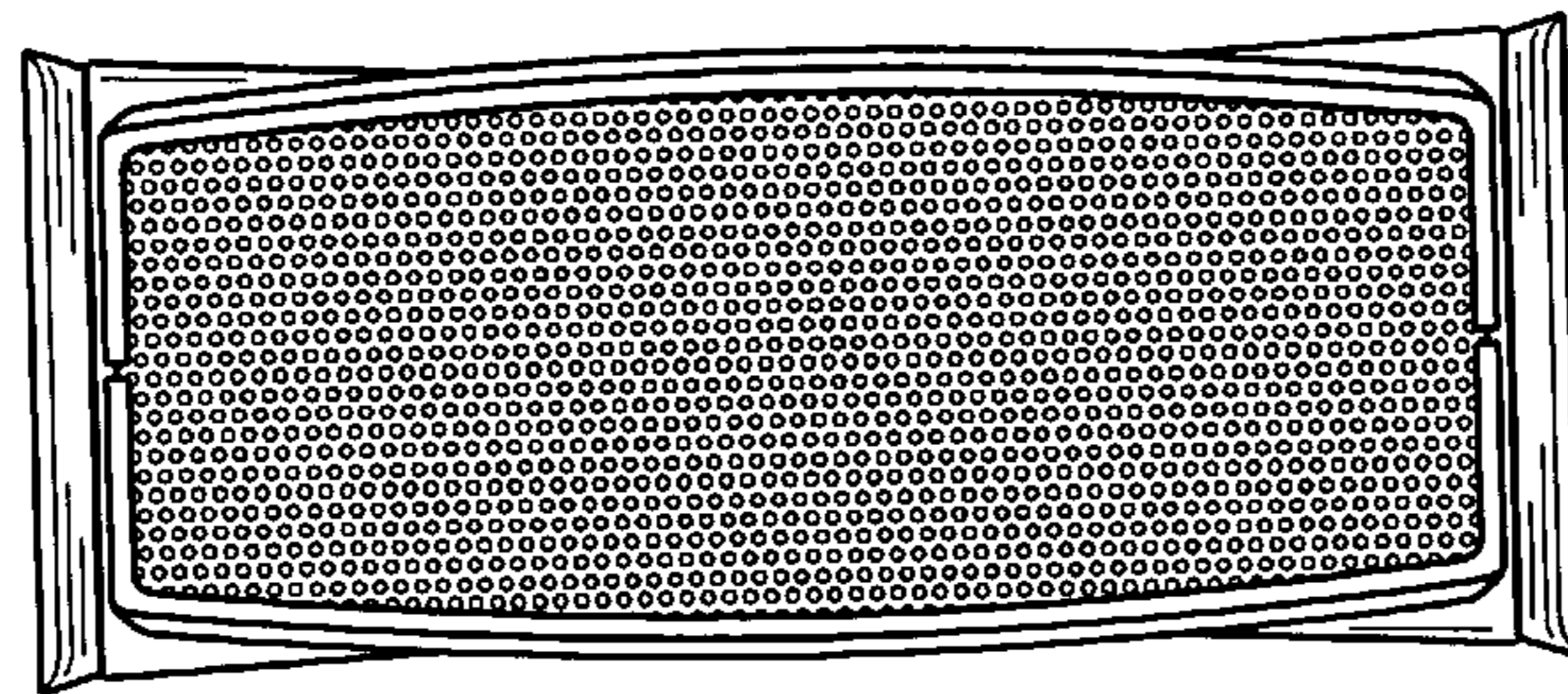


FIG. 2

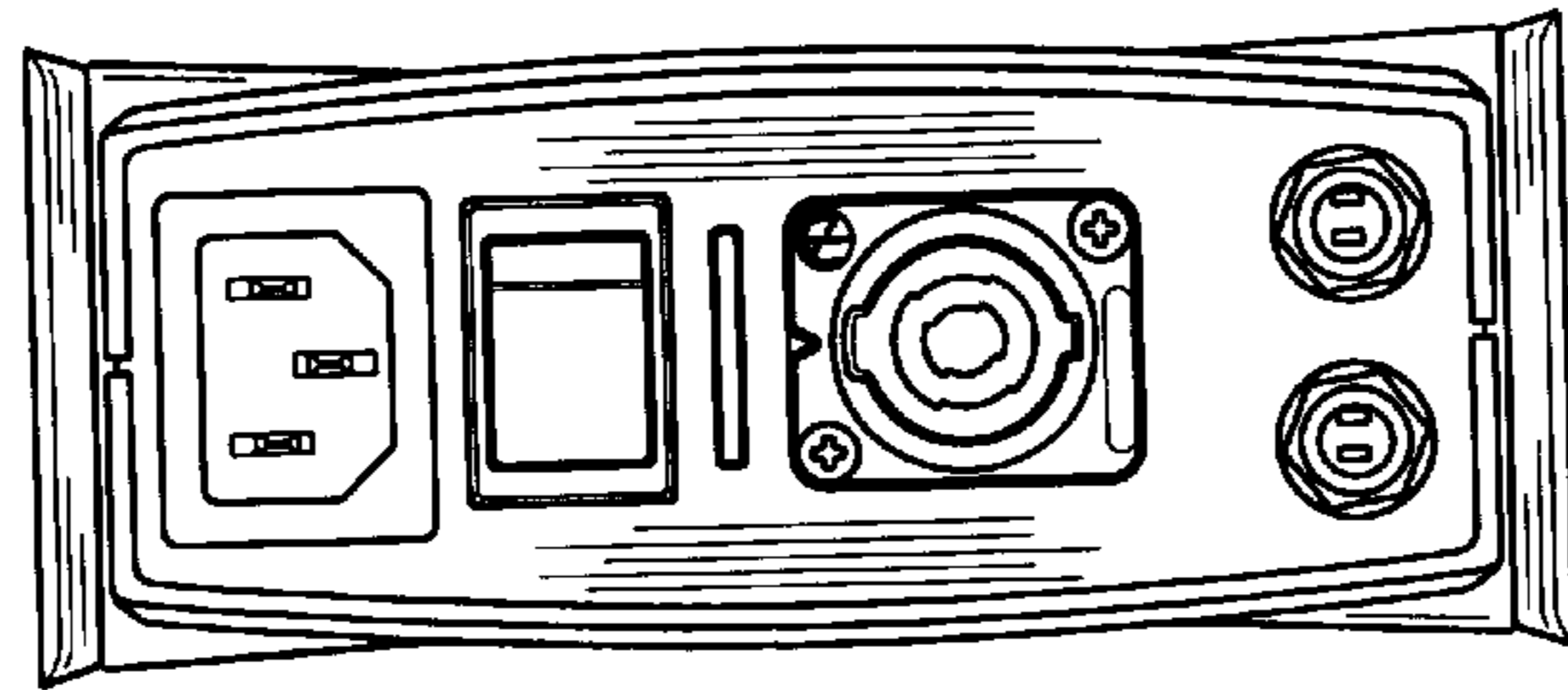


FIG. 3

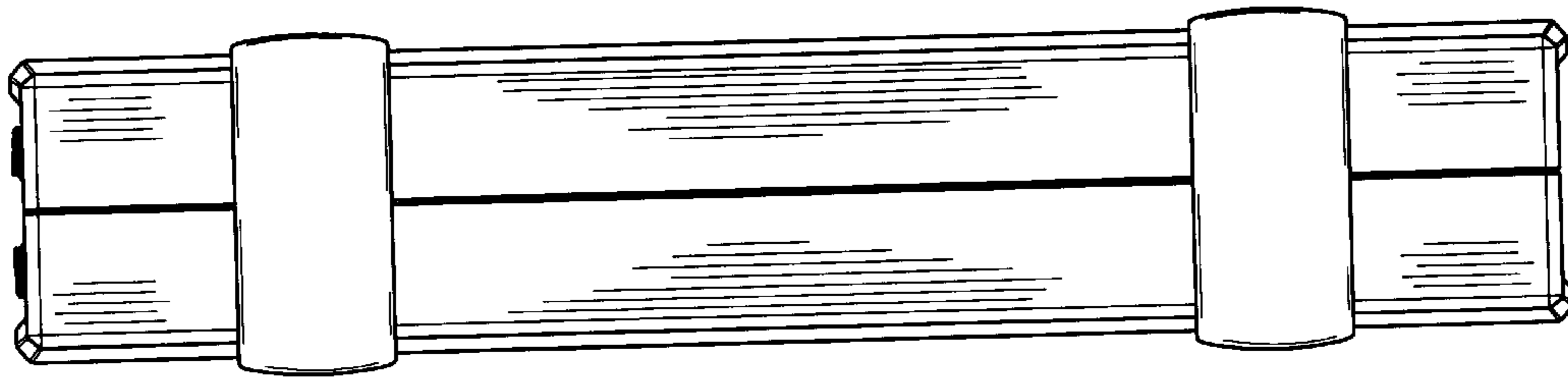


FIG. 4

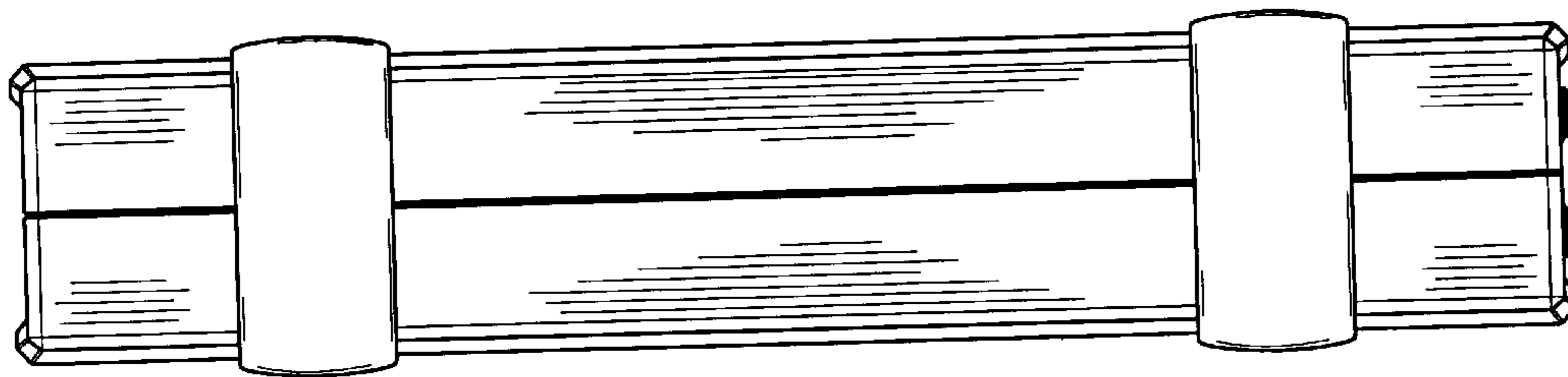


FIG. 5

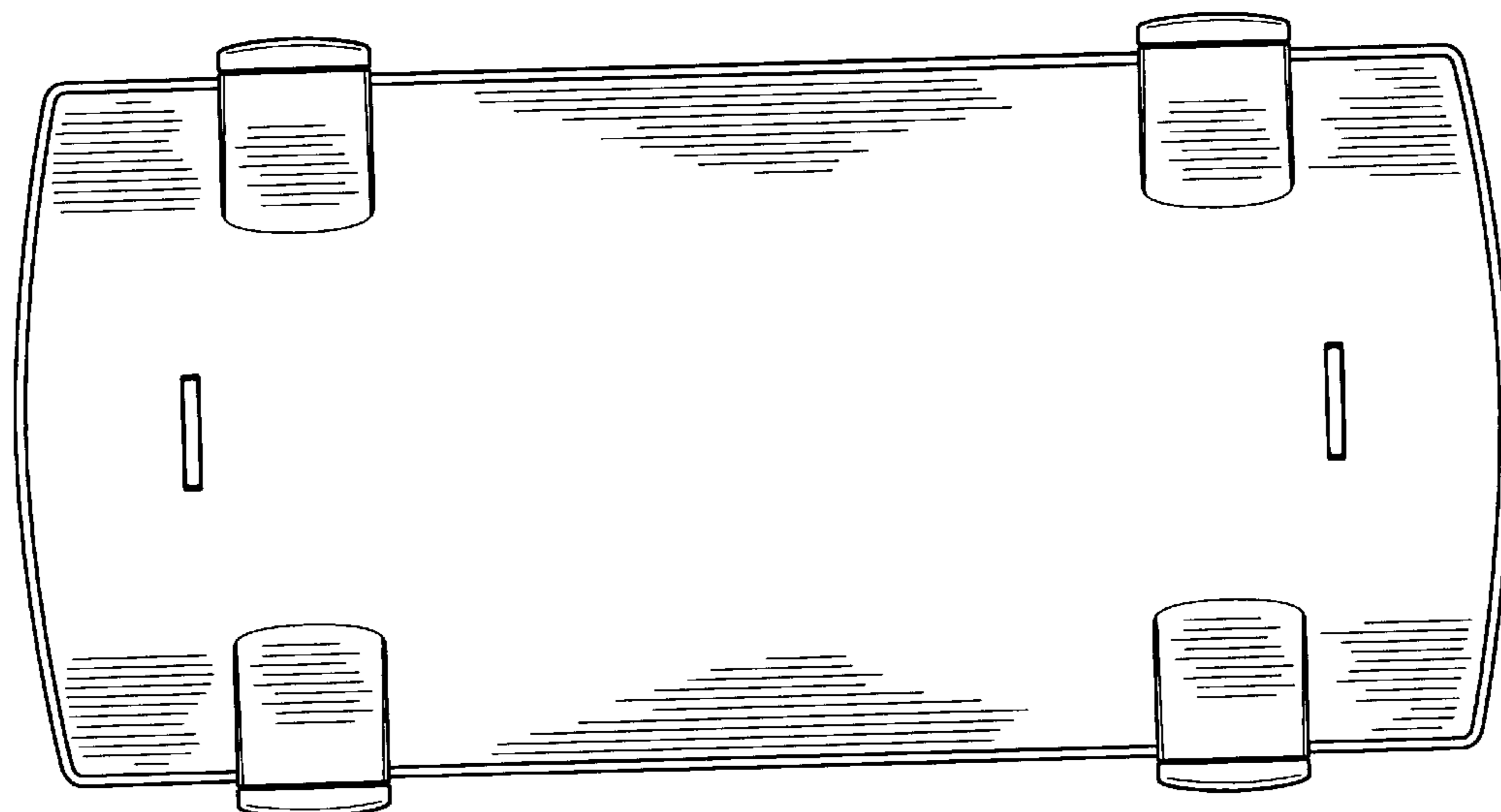


FIG. 6

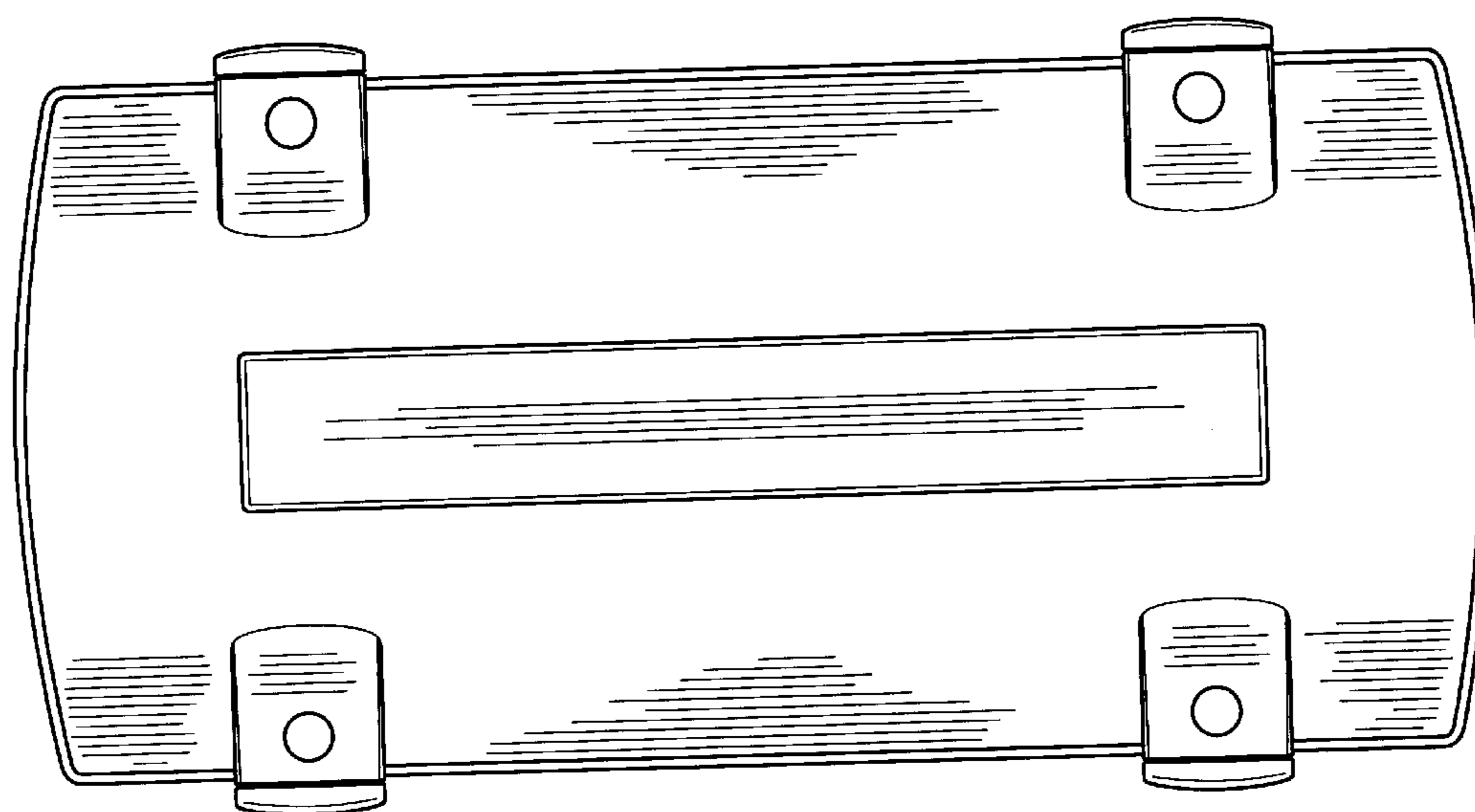


FIG. 7