

US00D549210S

(12) **United States Design Patent**  
**Neu et al.**

(10) **Patent No.:** **US D549,210 S**

(45) **Date of Patent:** **\*\* Aug. 21, 2007**

(54) **TRANSMITTER**

D535,278 S \* 1/2007 Hussaini et al. .... D14/155  
D535,972 S \* 1/2007 Griffin ..... D14/155

(75) Inventors: **Thorben Neu**, Los Angeles, CA (US);  
**David Kleemann**, Marina Del Rey, CA  
(US); **Vincent Razo**, Los Angeles, CA  
(US)

(73) Assignee: **Belkin International, Inc.**, Compton,  
CA (US)

(\*\*) Term: **14 Years**

(21) Appl. No.: **29/261,837**

(22) Filed: **Jun. 20, 2006**

(51) **LOC (8) Cl.** ..... **14-03**

(52) **U.S. Cl.** ..... **D14/155**

(58) **Field of Classification Search** ..... D14/358,  
D14/299, 248, 240, 218, 191, 188, 162, 155,  
D14/137, 226; D13/168, 110, 144; D10/121,  
D10/104, 106; 439/668; 455/353, 351  
See application file for complete search history.

(56) **References Cited**

**U.S. PATENT DOCUMENTS**

|              |         |                      |         |
|--------------|---------|----------------------|---------|
| D338,465 S * | 8/1993  | Hayasaka et al. .... | D14/191 |
| D366,262 S * | 1/1996  | Inaba .....          | D14/218 |
| D369,808 S * | 5/1996  | Hon et al. ....      | D14/191 |
| D415,442 S * | 10/1999 | Ikeda .....          | D10/106 |
| D426,223 S * | 6/2000  | Nomura .....         | D14/167 |
| D450,313 S * | 11/2001 | Koinuma .....        | D14/218 |
| D488,795 S * | 4/2004  | Christianson .....   | D14/155 |
| D506,209 S * | 6/2005  | Leong .....          | D14/496 |
| D507,261 S * | 7/2005  | Griffin .....        | D14/226 |
| D511,770 S * | 11/2005 | Chung .....          | D14/240 |
| D534,149 S * | 12/2006 | Griffin .....        | D14/155 |

**OTHER PUBLICATIONS**

Griffin iTalkPro Stereo Microphone for iPod 5G; <http://www.ilounge.com/index.php/ipod/review/griffin-italkpro-stereo-microphone-for-ipo>; retrieved from the Internet on May 10, 2006, 10 pages.

Belkin TuneTalk™ Stereo for iPod® video Nabs the iLounge 2006 “Best of Show” Award; [http://www.belkin.com/pressroom/releases/uploads/01\\_24\\_06iLoungeBestofShow.html](http://www.belkin.com/pressroom/releases/uploads/01_24_06iLoungeBestofShow.html), retrieved from the internet on May 15, 2006, 2 pages.

\* cited by examiner

*Primary Examiner*—Cathron C. Brooks

*Assistant Examiner*—Austin Murphy

(74) *Attorney, Agent, or Firm*—Bryan Cave LLP

(57) **CLAIM**

We claim the ornamental design for a transmitter, as shown and described.

**DESCRIPTION**

FIG. 1 is a front view of the transmitter;

FIG. 2 is a rear view thereof.

FIG. 3 is a side view thereof;

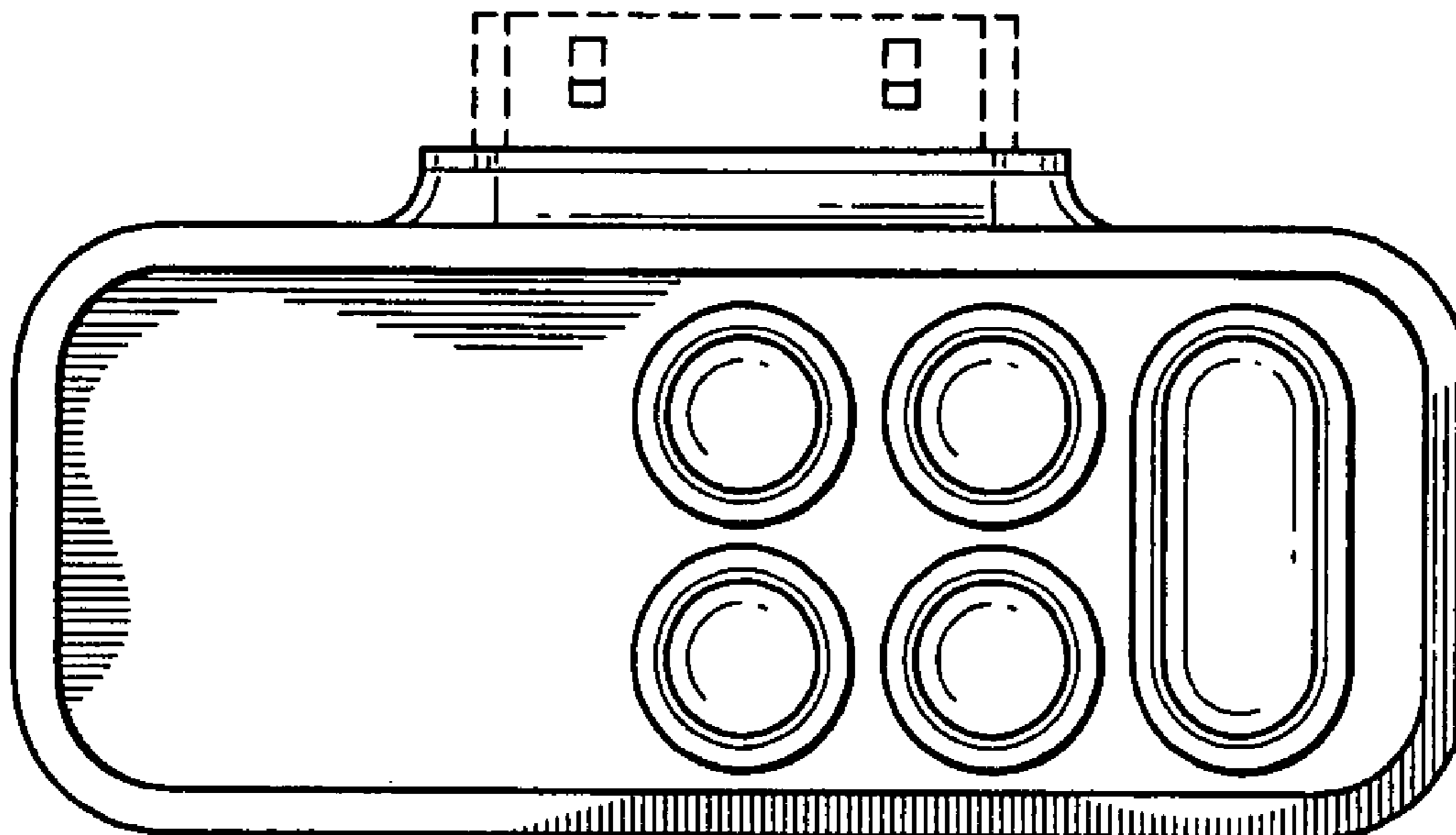
FIG. 4 is a top view thereof;

FIG. 5 is a bottom view thereof; and,

FIG. 6 is a top, front, right isometric view thereof.

The broken lines in the drawings are for illustrative purposes only and form no part of the claimed design.

**1 Claim, 1 Drawing Sheet**



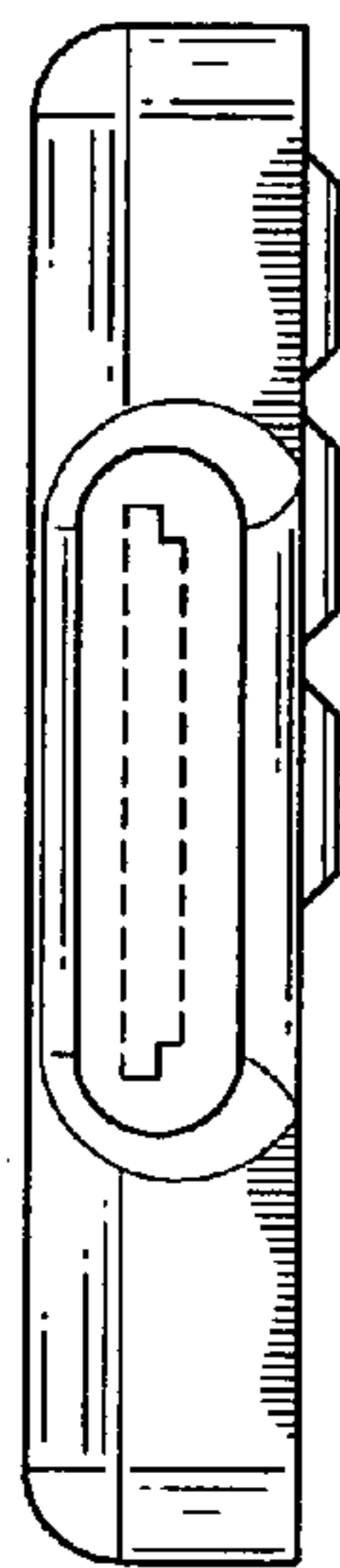


FIG. 4

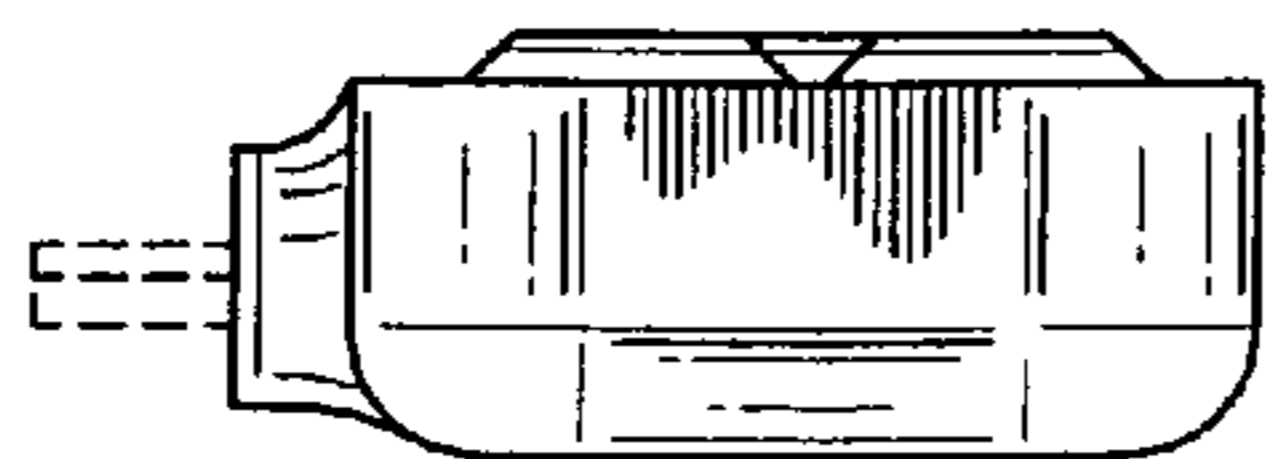


FIG. 3

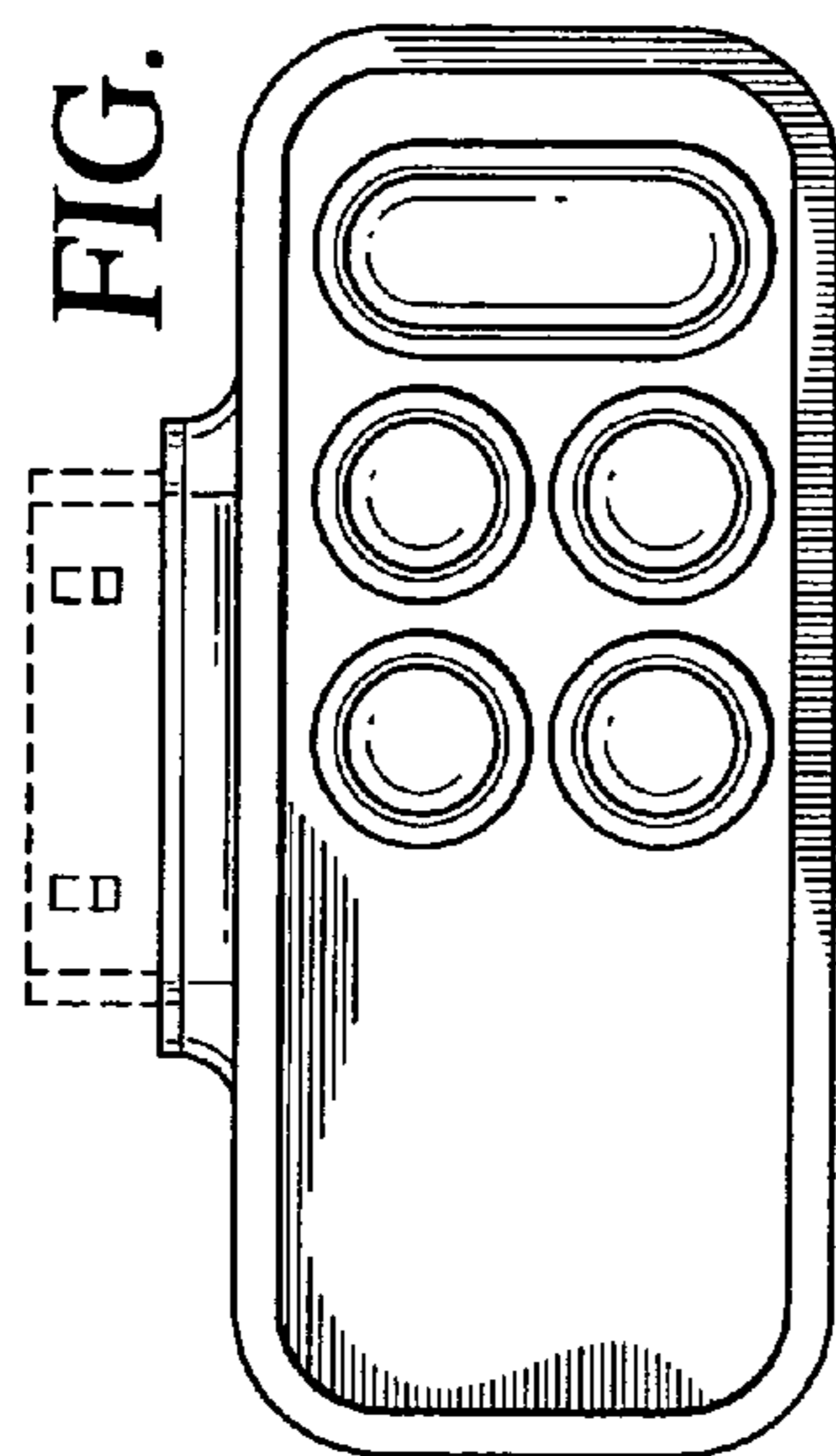


FIG. 1

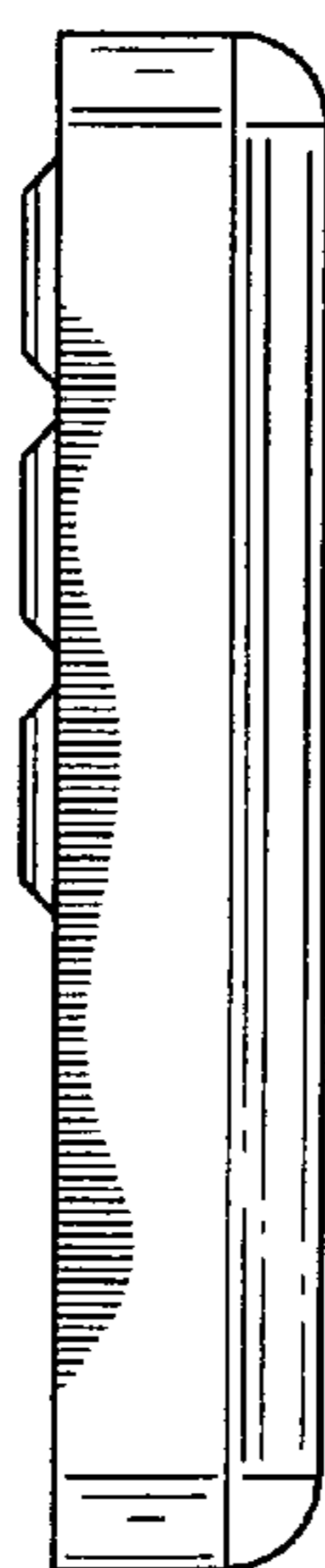


FIG. 5

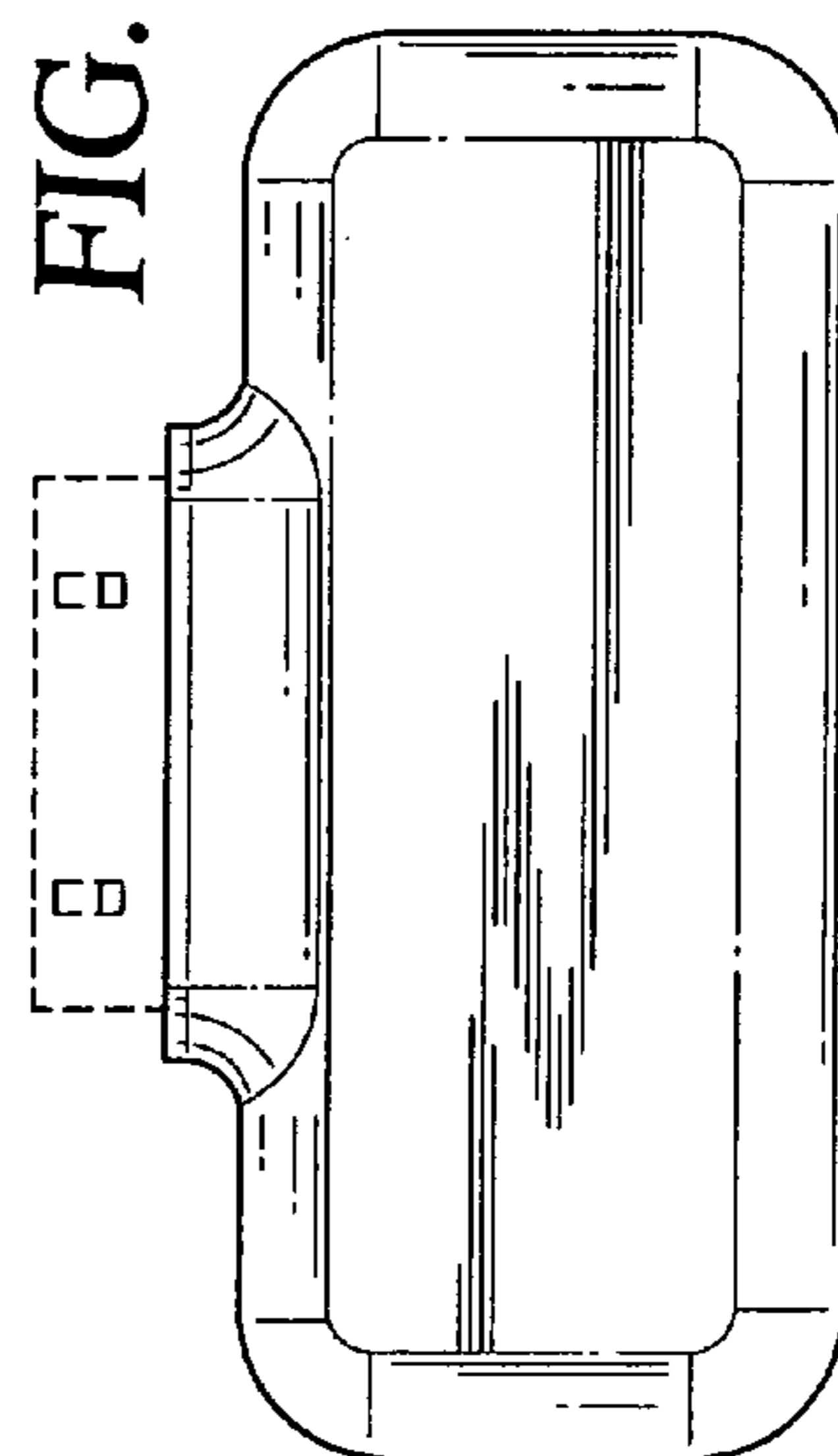


FIG. 2

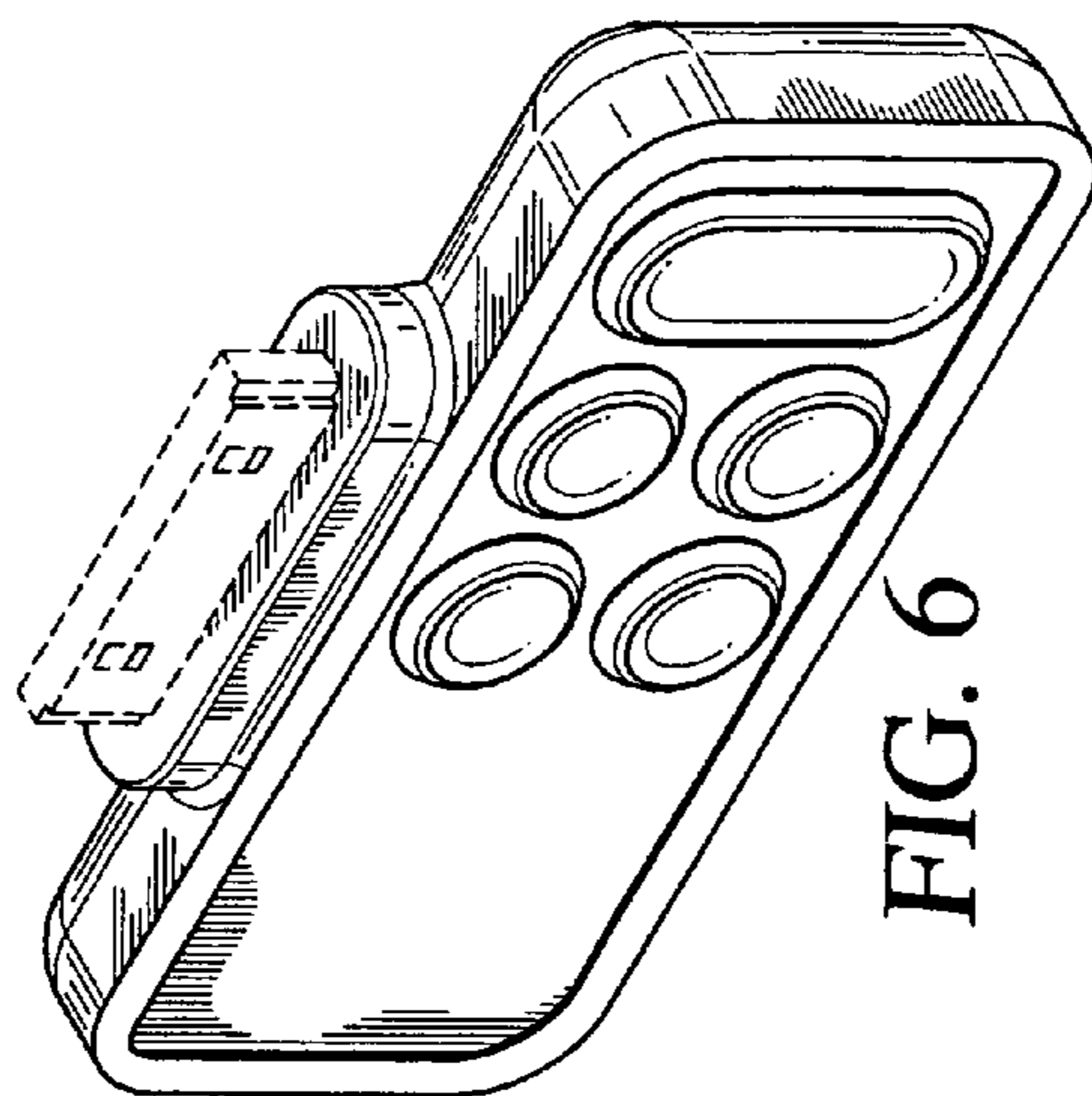


FIG. 6

UNITED STATES PATENT AND TRADEMARK OFFICE  
**CERTIFICATE OF CORRECTION**

PATENT NO. : D549,210 S  
APPLICATION NO. : 29/261837  
DATED : August 21, 2007  
INVENTOR(S) : Thorben Neu et al.

Page 1 of 1

It is certified that error appears in the above-identified patent and that said Letters Patent is hereby corrected as shown below:

On the title page: Item (75), Inventor, "David Kleemann" should read -- David Kleeman --.

Signed and Sealed this  
Twenty-first Day of June, 2011

A handwritten signature in black ink that reads "David J. Kappos". The signature is written in a cursive style with a large initial "D" and "K".

David J. Kappos  
*Director of the United States Patent and Trademark Office*