



US00D549203S

(12) **United States Design Patent**
Kim et al.

(10) **Patent No.:** **US D549,203 S**

(45) **Date of Patent:** **** Aug. 21, 2007**

(54) **MOBILE PHONE**

(75) Inventors: **Young-Sae Kim**, Los Altos, CA (US);
Chi-Young Ahn, Seoul (KR);
Young-Ju Yeo, Seoul (KR);
Chang-Hwan Hwang, Goyang-si (KR)

(73) Assignee: **Samsung Electronics Co., Ltd.**,
Suwon-Si (KR)

(**) Term: **14 Years**

(21) Appl. No.: **29/254,291**

(22) Filed: **Feb. 22, 2006**

(30) **Foreign Application Priority Data**

Nov. 14, 2005 (KR) 30-2005-0038222

(51) **LOC (8) Cl.** **14-03**

(52) **U.S. Cl.** **D14/138**

(58) **Field of Classification Search** D14/137,
D14/138, 147, 218, 341-347, 496; D21/324,
D21/517; 455/90.3, 556.1, 556.2, 575.1,
455/575.3, 575.4; 379/433.01-433.13; 361/814;
348/14.02

See application file for complete search history.

(56) **References Cited**

U.S. PATENT DOCUMENTS

D479,214 S * 9/2003 Bertrand et al. D14/138
D494,151 S * 8/2004 Walliser et al. D14/138
D508,687 S * 8/2005 Lee D14/138
D525,610 S * 7/2006 Kim et al. D14/138
D527,000 S * 8/2006 Hong et al. D14/346
D528,095 S * 9/2006 Kwon et al. D14/138
D529,474 S * 10/2006 Park et al. D14/138
D531,609 S * 11/2006 Kim et al. D14/138
D531,610 S * 11/2006 Kim et al. D14/138
D531,973 S * 11/2006 Kim et al. D14/138
D531,974 S * 11/2006 Kim et al. D14/138
D531,975 S * 11/2006 Kim et al. D14/138
D531,976 S * 11/2006 Kim et al. D14/138

D533,532 S * 12/2006 Kim et al. D14/138
D534,888 S * 1/2007 Kim et al. D14/138
D534,893 S * 1/2007 Jo et al. D14/138
D535,274 S * 1/2007 Lee D14/138
D535,968 S * 1/2007 Lee D14/138
2004/0266477 A1 * 12/2004 Murata 455/556.1
2005/0146600 A1 * 7/2005 Chipchase et al. 348/14.02
2005/0181846 A1 * 8/2005 Taneya et al. 455/575.3
2006/0025184 A1 * 2/2006 Cho et al. 455/575.4
2006/0154705 A1 * 7/2006 Kim 455/575.4

OTHER PUBLICATIONS

Samsung P930, announced Dec. 2006, [online], [retrieved on Feb. 8, 2007]. Retrieved from Internet ,<URL: http://www.gsmarena.com>.*

(Continued)

Primary Examiner—Jeffrey Asch
Assistant Examiner—Bridget L. Eland
(74) *Attorney, Agent, or Firm*—Staas & Halsey LLP

(57) **CLAIM**

The ornamental design for the mobile phone, as shown and described.

DESCRIPTION

FIG. 1 is a perspective view of the mobile phone showing our design;

FIG. 2 is a front view thereof;

FIG. 3 is a rear view thereof;

FIG. 4 is a left side view thereof;

FIG. 5 is a right side view thereof;

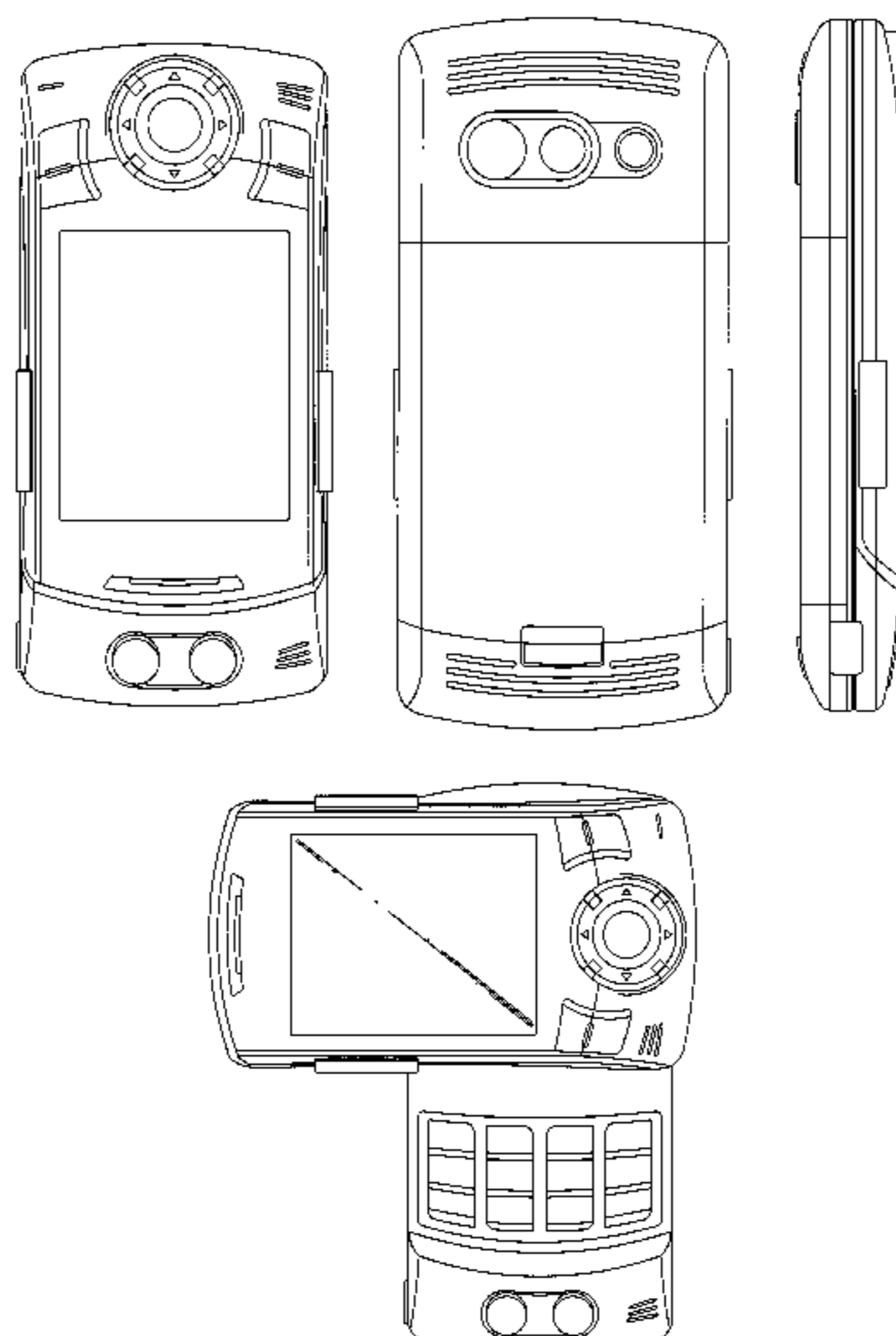
FIG. 6 is a top plan view thereof;

FIG. 7 is a bottom plan view thereof;

FIG. 8 is a front, open view thereof; and,

FIG. 9 is a front open view with the movable front portion rotated to an alternate position.

1 Claim, 9 Drawing Sheets



OTHER PUBLICATIONS

Motorola A920, announced 2003, [online], [retrieved on Feb. 16, 2007]. Retrieved from Internet ,<URL: <http://www.gsmarena.com>>.*

Motorola RIZR, announced Jul. 2006, [online], [retrieved on Feb. 16, 2007]. Retrieved from Internet ,<URL: <http://www.gsmarena.com>>.*

LG KS10, announced Feb. 2007, [online], [retrieved on Feb. 20, 2007]. Retrieved from Internet ,<URL: <http://www.gsmarena.com>>.*

LG KU950, announced Feb. 2007, [online], [retrieved on Feb. 20, 2007]. Retrieved from Internet ,<URL: <http://www.gsmarena.com>>.*

* cited by examiner

FIG. 1

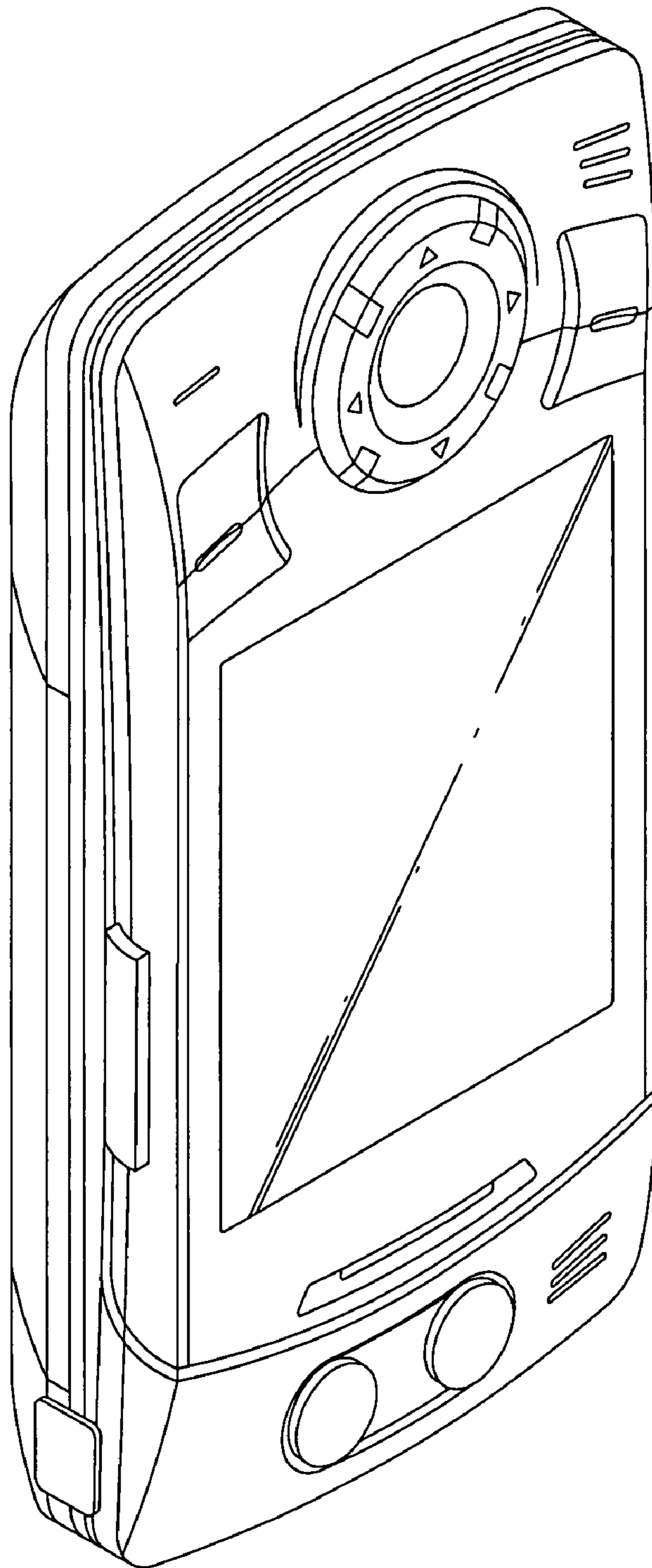


FIG. 2

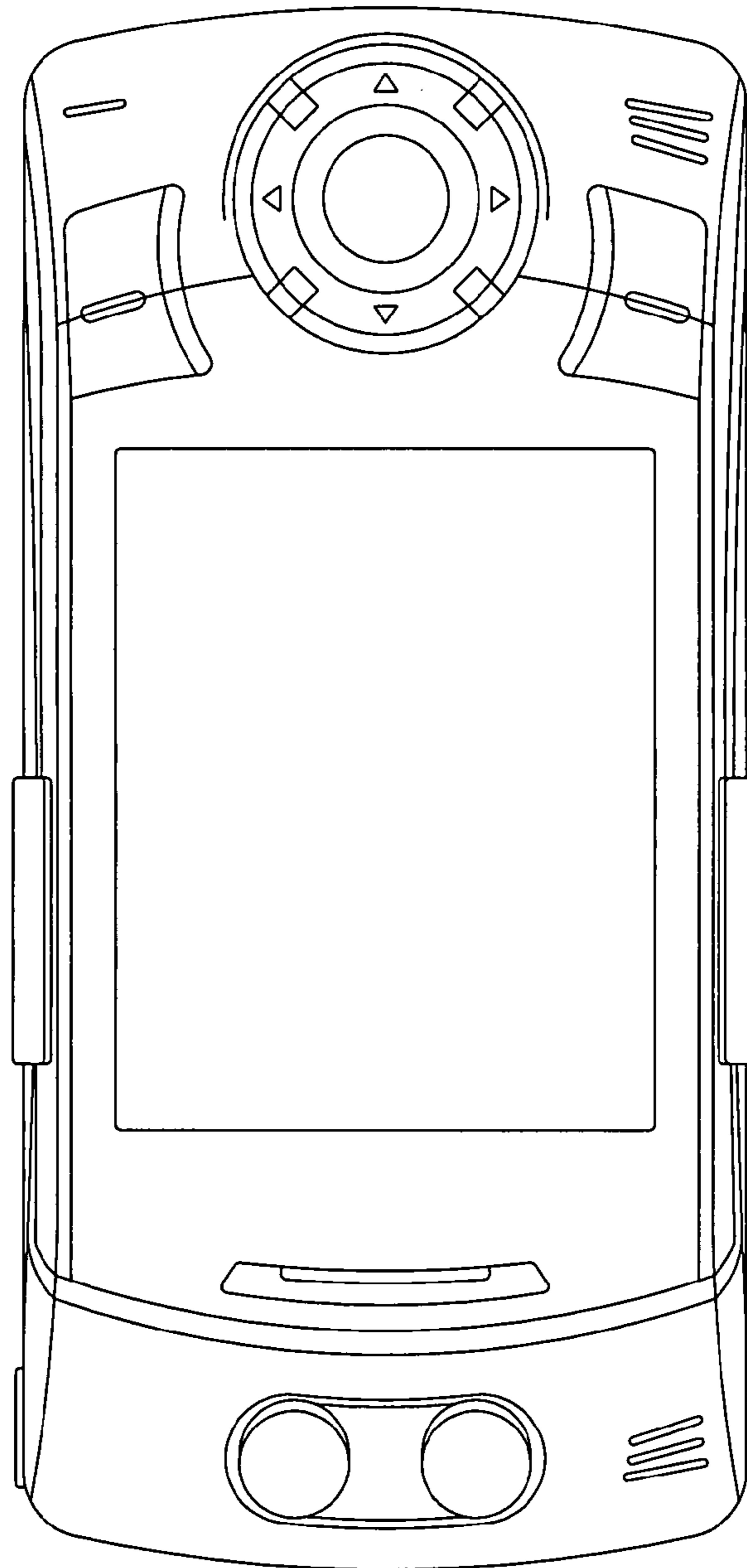


FIG. 3

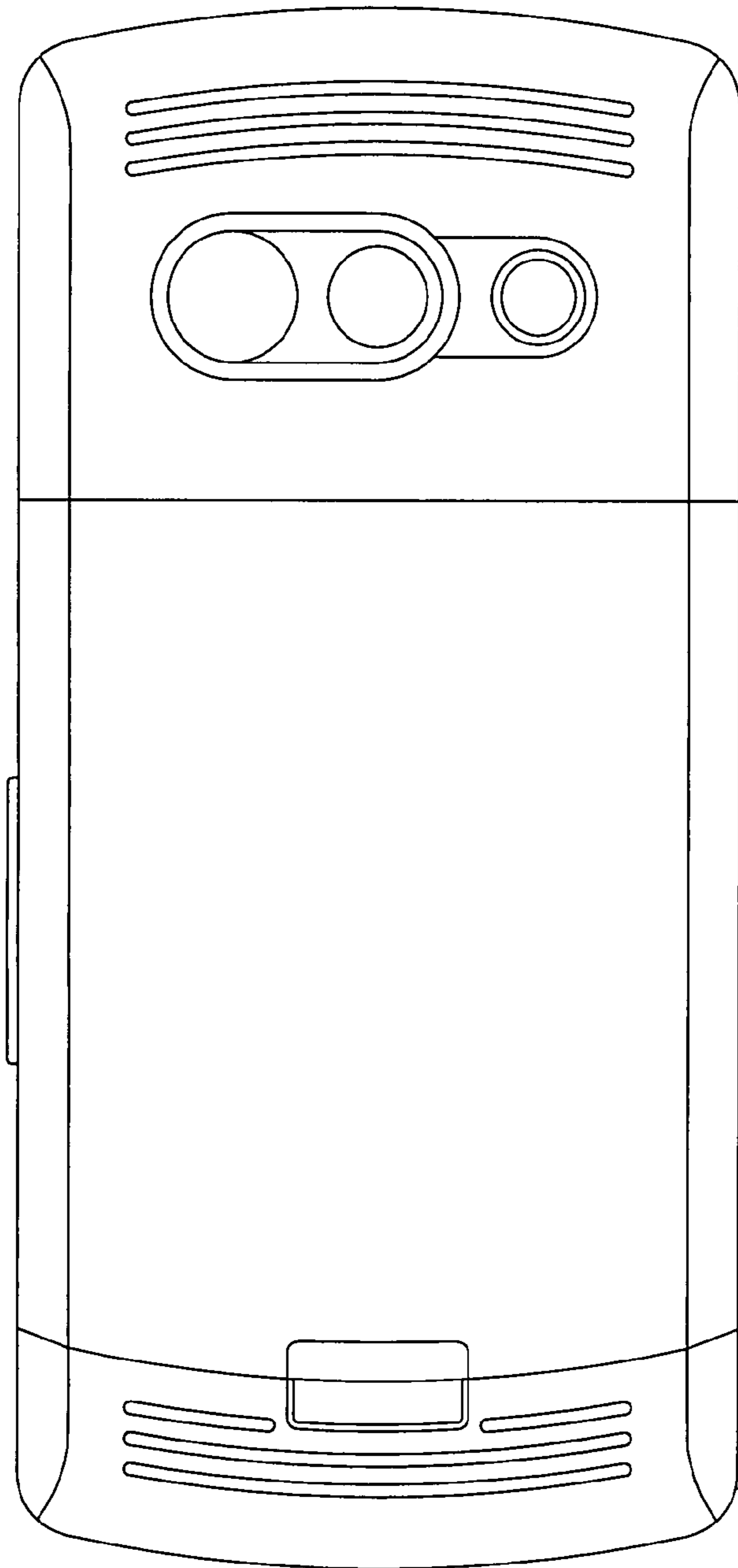


FIG. 4

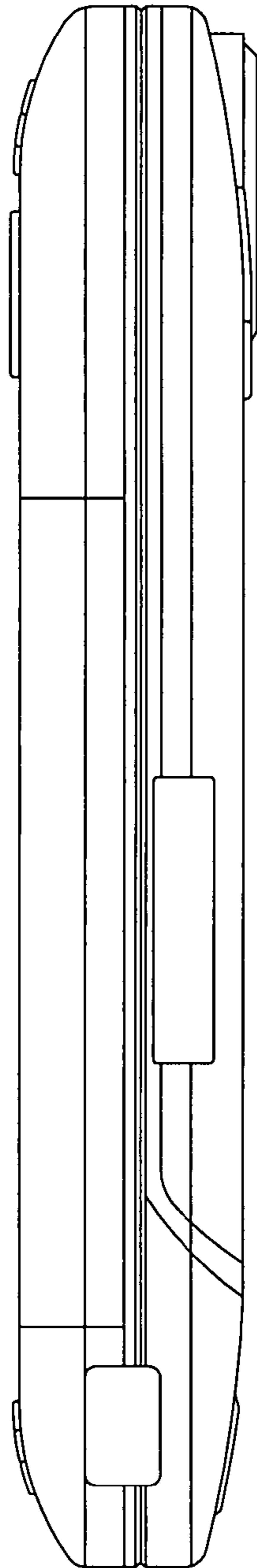


FIG. 5

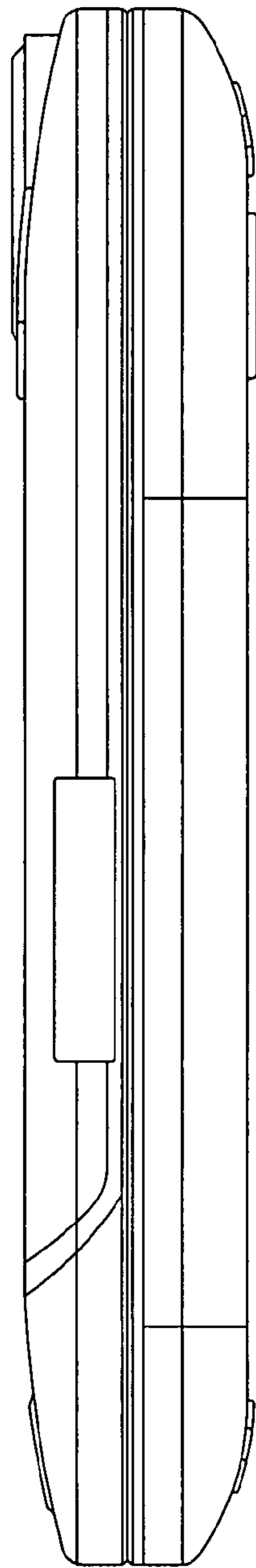


FIG. 6

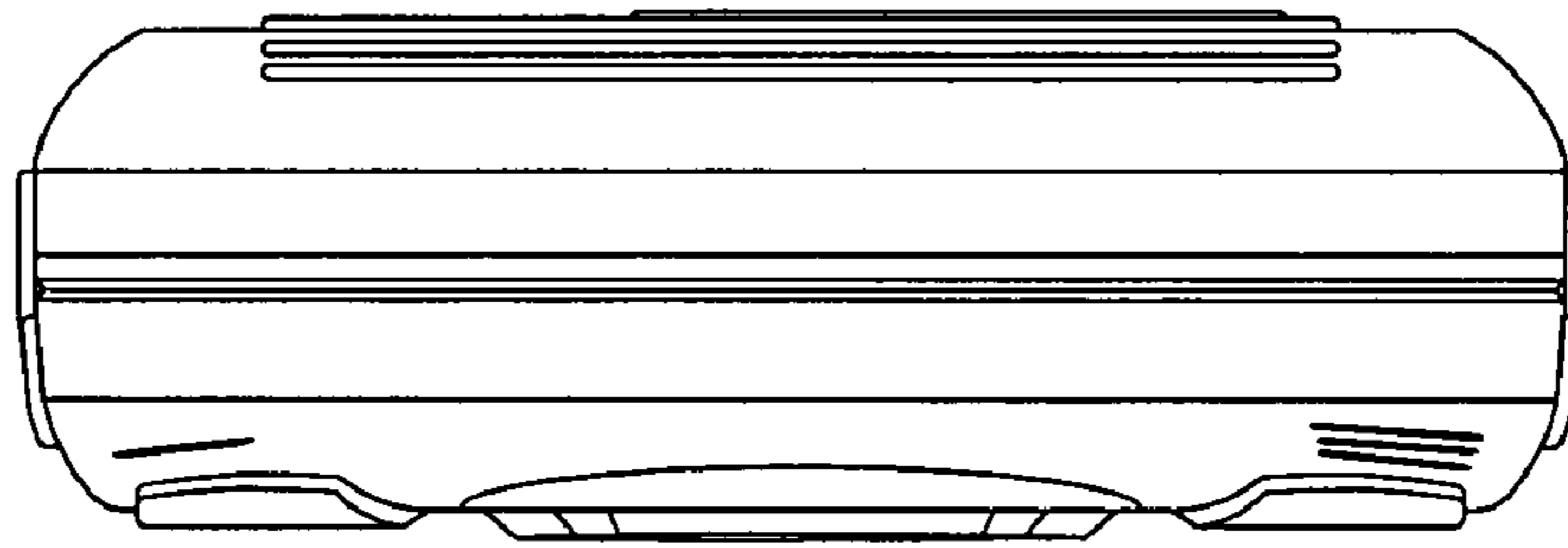


FIG. 7

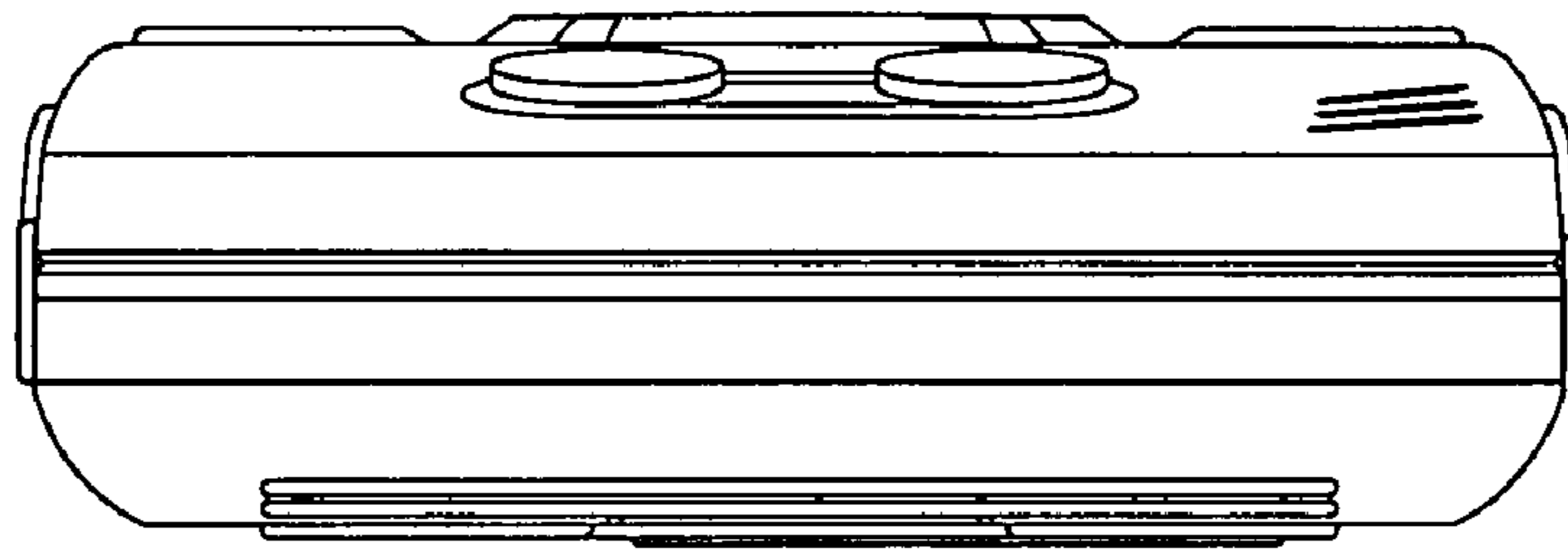


FIG. 8

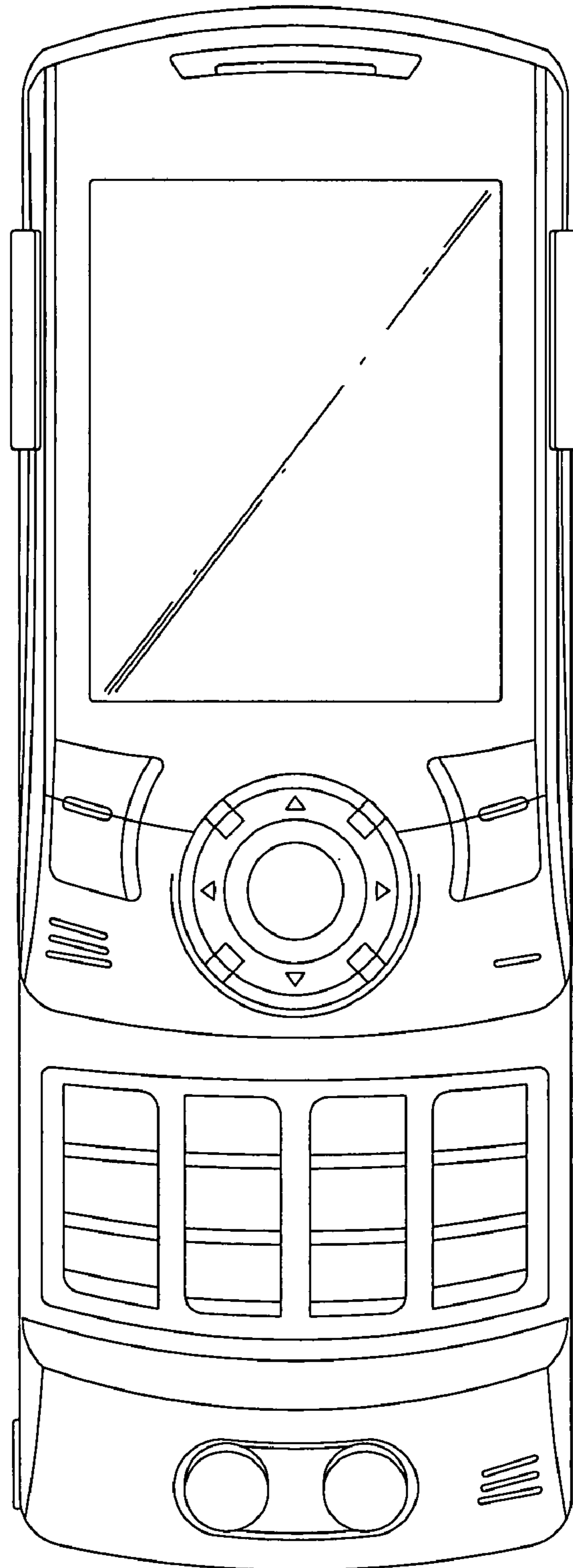


FIG. 9

