

US00D549202S

(12) **United States Design Patent**
Kim et al.

(10) **Patent No.:** **US D549,202 S**

(45) **Date of Patent:** **** Aug. 21, 2007**

(54) **MOBILE PHONE**

7,099,708 B2 * 8/2006 Ronkko 455/575.1
D527,717 S * 9/2006 Kim D14/138

(75) Inventors: **Young-Sae Kim**, Los Altos, CA (US);
Chi-Young Ahn, Seoul (KR);
Young-Ju Yeo, Seoul (KR);
Chang-Hwan Hwang, Goyang-si (KR)

(Continued)

FOREIGN PATENT DOCUMENTS

WO DM/067482 * 12/2005

(73) Assignee: **Samsung Electronics Co., Ltd.**,
Suwon-Si (KR)

OTHER PUBLICATIONS

(**) Term: **14 Years**

Philips 960, announced Jul. 2005, [online], [retrieved on Feb. 20, 2007]. Retrieved from Internet ,<URL: http://www.gsmarena.com>.*

(21) Appl. No.: **29/254,290**

InnoStream INNO P10, announced Jun. 2005, [online], [retrieved on Feb. 20, 2007]. Retrieved from Internet ,<URL:http://www.gsmarena.com>.*

(22) Filed: **Feb. 22, 2006**

(Continued)

(30) **Foreign Application Priority Data**

Nov. 18, 2005 (KR) 30-2005-0038969

Primary Examiner—Jeffrey Asch
Assistant Examiner—Bridget L. Eland

(51) **LOC (8) Cl.** **14-03**

(74) *Attorney, Agent, or Firm*—Staas & Halsey LLP

(52) **U.S. Cl.** **D14/138**

(58) **Field of Classification Search** D14/137,
D14/138, 147, 218, 341–347, 496; D21/324,
D21/517; 455/90.3, 556.1, 556.2, 575.1,
455/575.3, 575.4; 379/433.01–433.13; 361/814;
348/14.02

(57) **CLAIM**

See application file for complete search history.

The ornamental design for the mobile phone, as shown and described.

DESCRIPTION

(56) **References Cited**

U.S. PATENT DOCUMENTS

D487,066 S * 2/2004 Gartrell et al. D14/138
D503,699 S * 4/2005 Lee et al. D14/138
D508,240 S * 8/2005 Lee et al. D14/138
D508,473 S * 8/2005 Lee et al. D14/138
D509,202 S * 9/2005 Lee et al. D14/138
D517,038 S * 3/2006 Lee et al. D14/138
D525,608 S * 7/2006 Ryu D14/138
D526,298 S * 8/2006 Kota et al. D14/138
D526,303 S * 8/2006 Kim et al. D14/138
D526,984 S * 8/2006 Kim et al. D14/138
D527,364 S * 8/2006 Lee et al. D14/138
D527,367 S * 8/2006 Yun et al. D14/138
D527,369 S * 8/2006 Chung et al. D14/138

FIG. 1 is a perspective view of the mobile phone showing our design;

FIG. 2 is a front view thereof;

FIG. 3 is a rear view thereof;

FIG. 4 is a left side view thereof;

FIG. 5 is a right side view thereof;

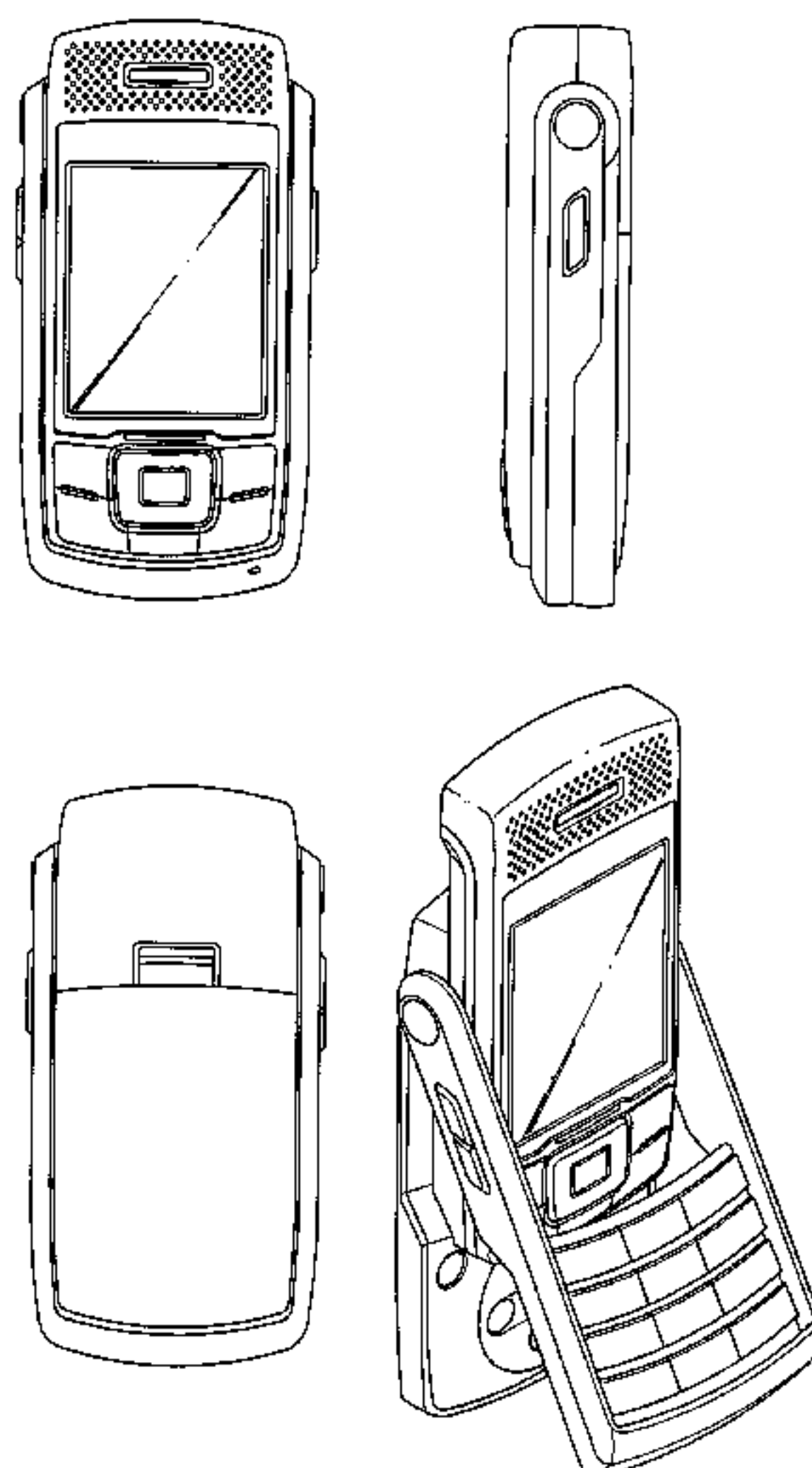
FIG. 6 is a top plan view thereof;

FIG. 7 is a bottom plan view thereof;

FIG. 8 is a perspective, front open view thereof; and,

FIG. 9 is a perspective, front open view with the keypad being flipped to an alternate position.

1 Claim, 5 Drawing Sheets



US D549,202 S

Page 2

U.S. PATENT DOCUMENTS

D527,718 S * 9/2006 Shin D14/138
D528,092 S * 9/2006 Lee et al. D14/138
D529,014 S * 9/2006 Kim et al. D14/138
D529,475 S * 10/2006 Lee et al. D14/138
D530,295 S * 10/2006 Chung et al. D14/138
D530,297 S * 10/2006 Moon et al. D14/138
D531,610 S * 11/2006 Kim et al. D14/138
2004/0106429 A1* 6/2004 Park et al. 455/550.1
2004/0259592 A1* 12/2004 Taneya et al. 455/556.1
2005/0124394 A1* 6/2005 Kim et al. 455/575.3

2005/0190291 A1* 9/2005 Kota et al. 348/376

OTHER PUBLICATIONS

VK Mobile VK4500, announced 4th quarter 2005, [online],
[retrieved on Feb. 20, 2007]. Retrieved from Internet ,<URL:
<http://www.gsmarena.com>>.*
Siemens SG75, announced Sep. 2005, [online], [retrieved on Feb.
20, 2007]. Retrieved from Internet ,<URL: <http://www.gsmarena.com>>.*

* cited by examiner

FIG. 1

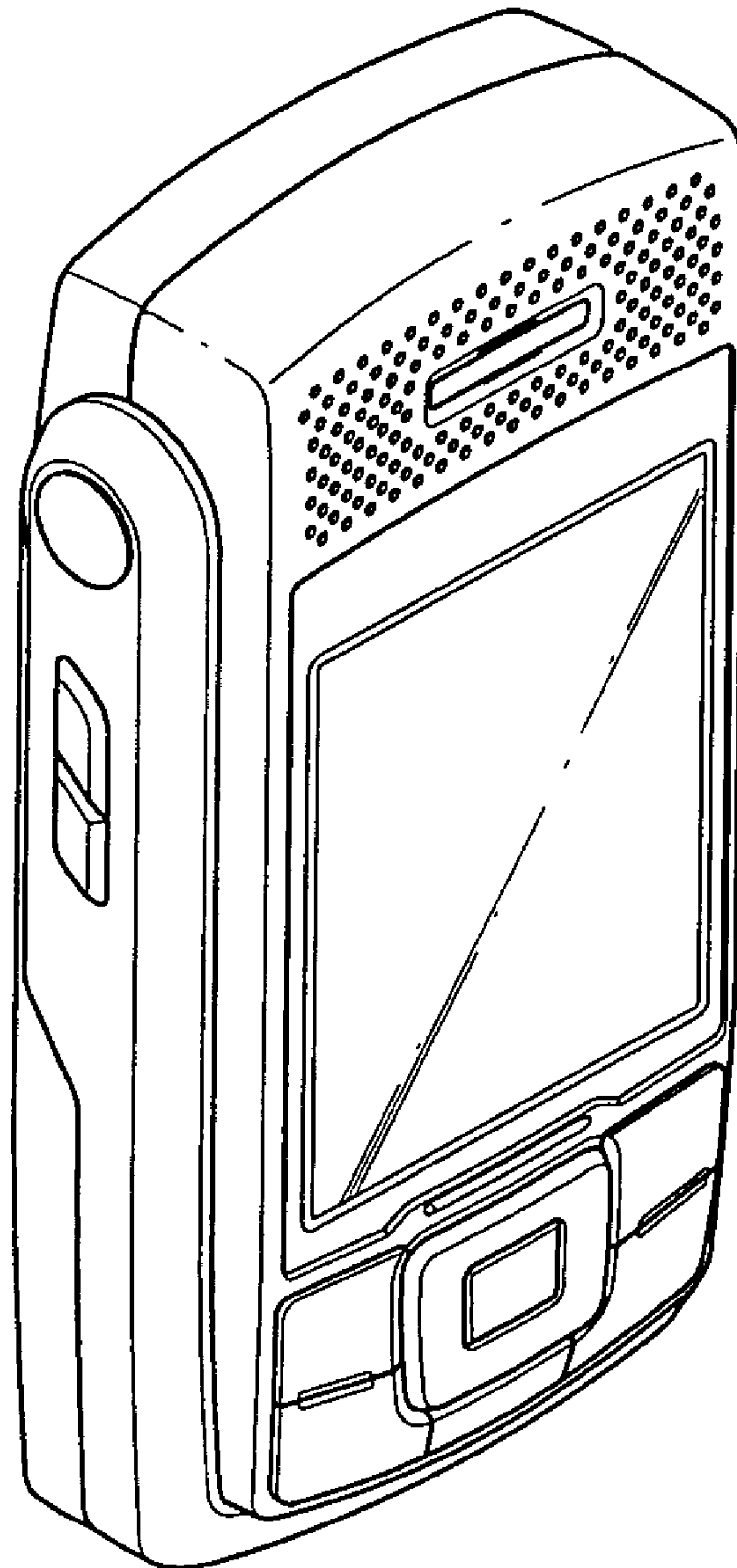


FIG. 2

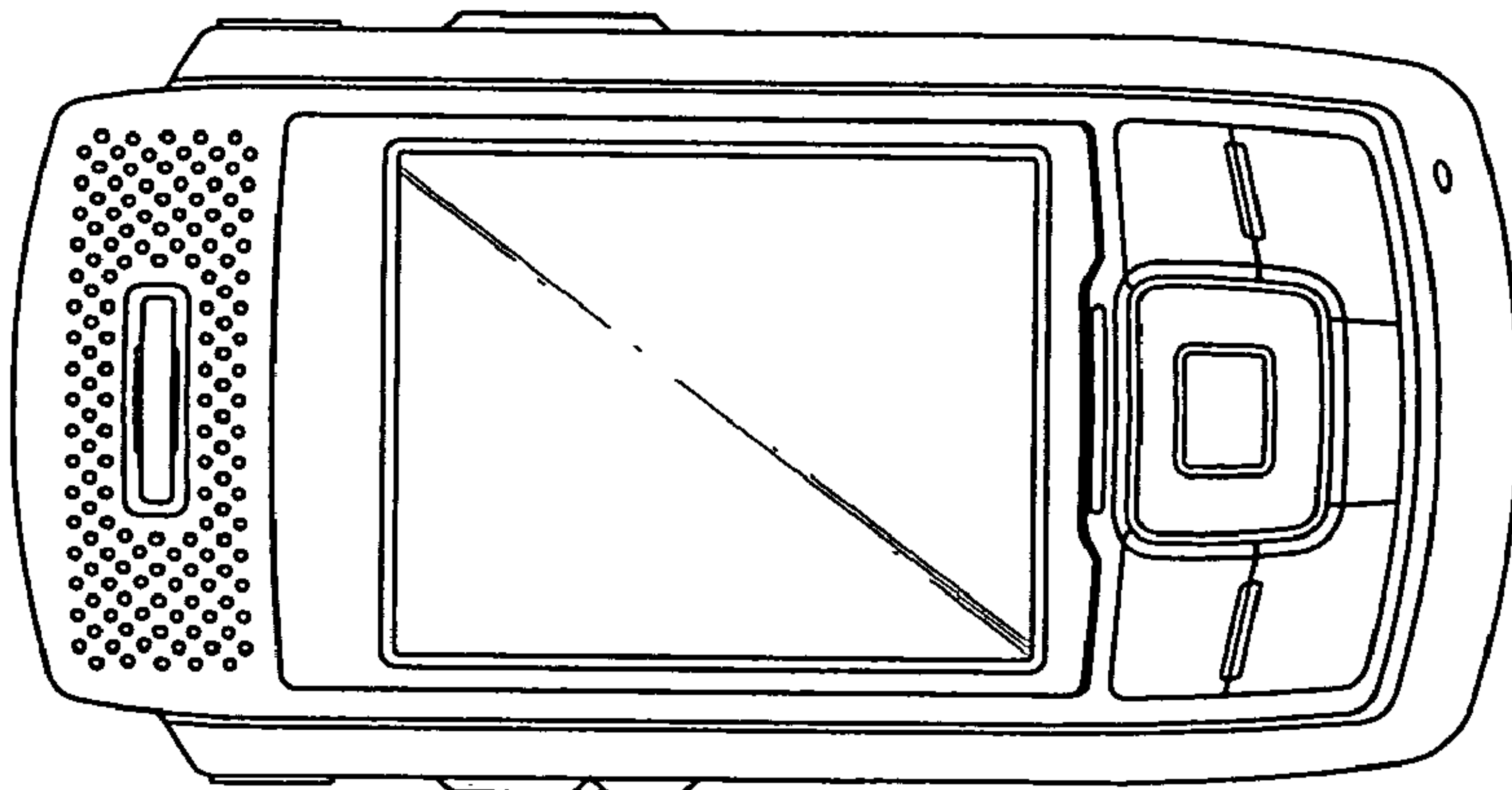


FIG. 3

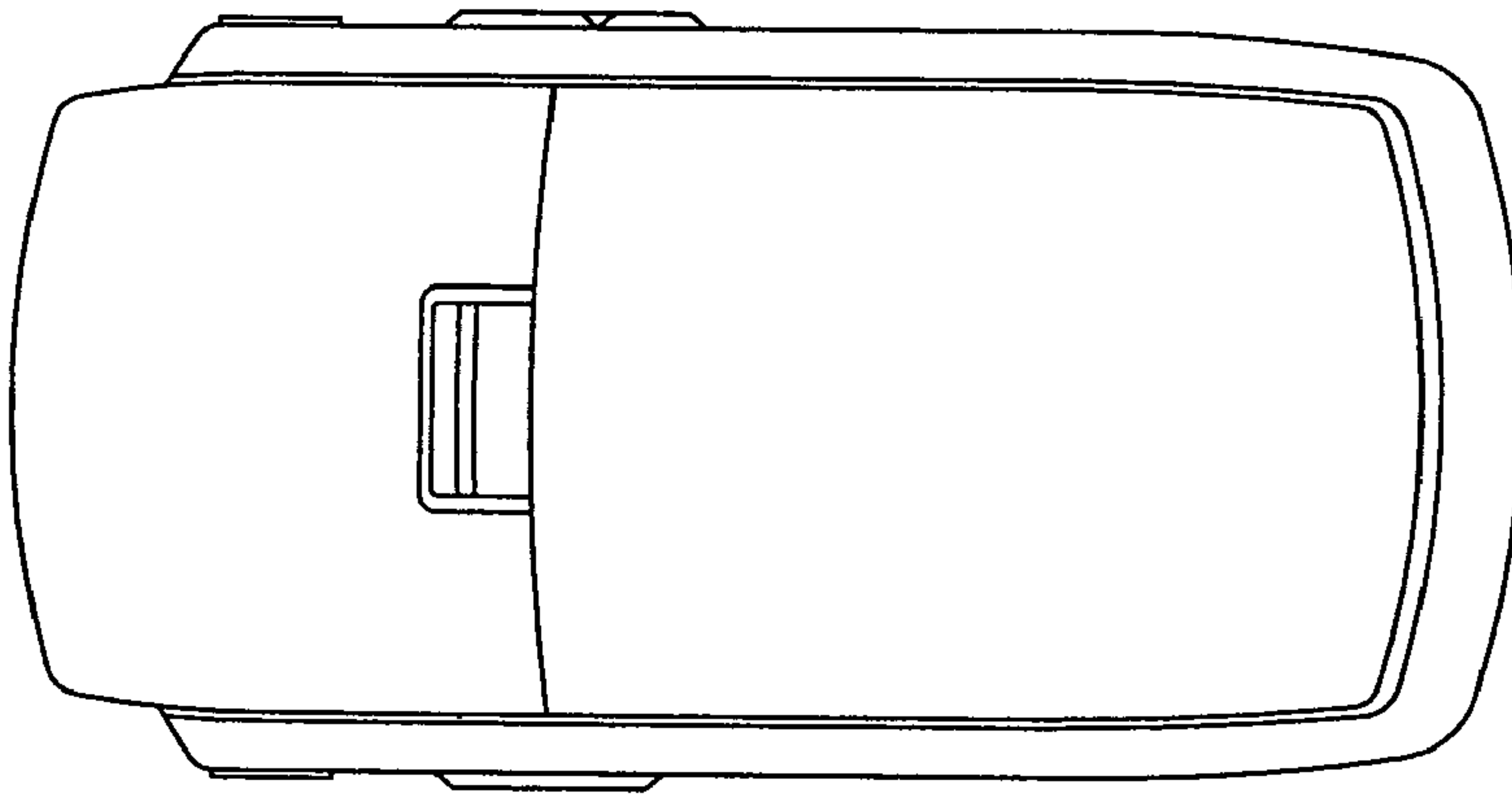


FIG. 4

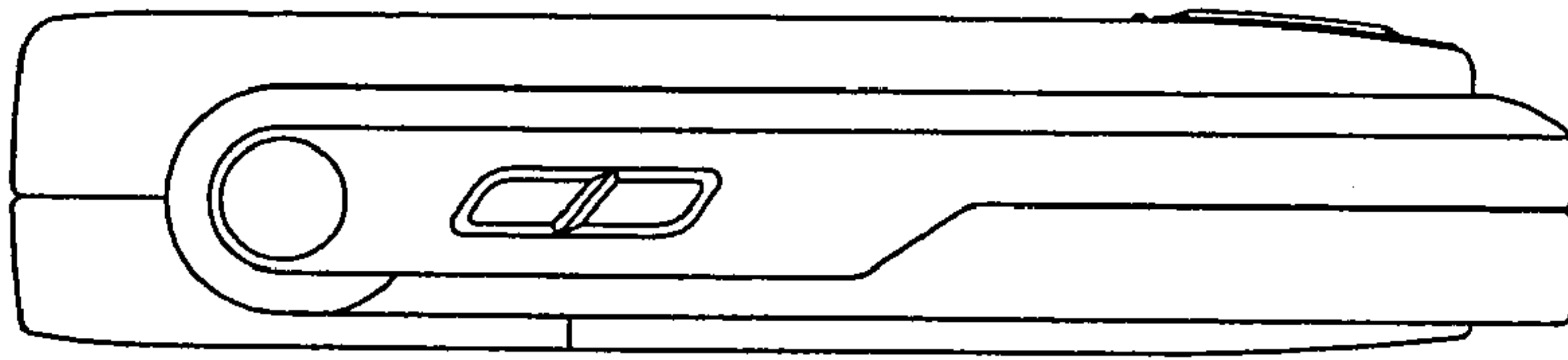


FIG. 5

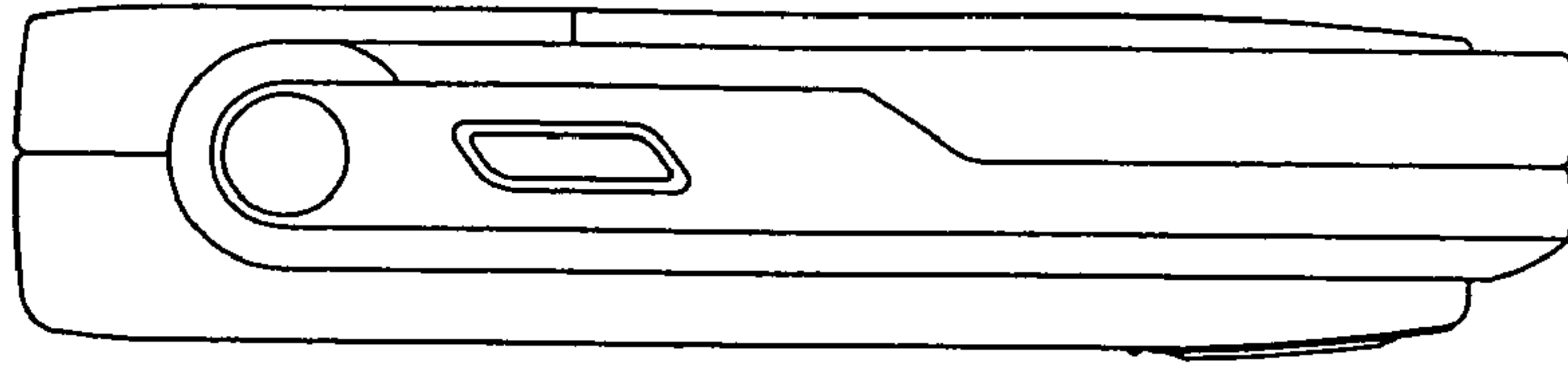


FIG. 6

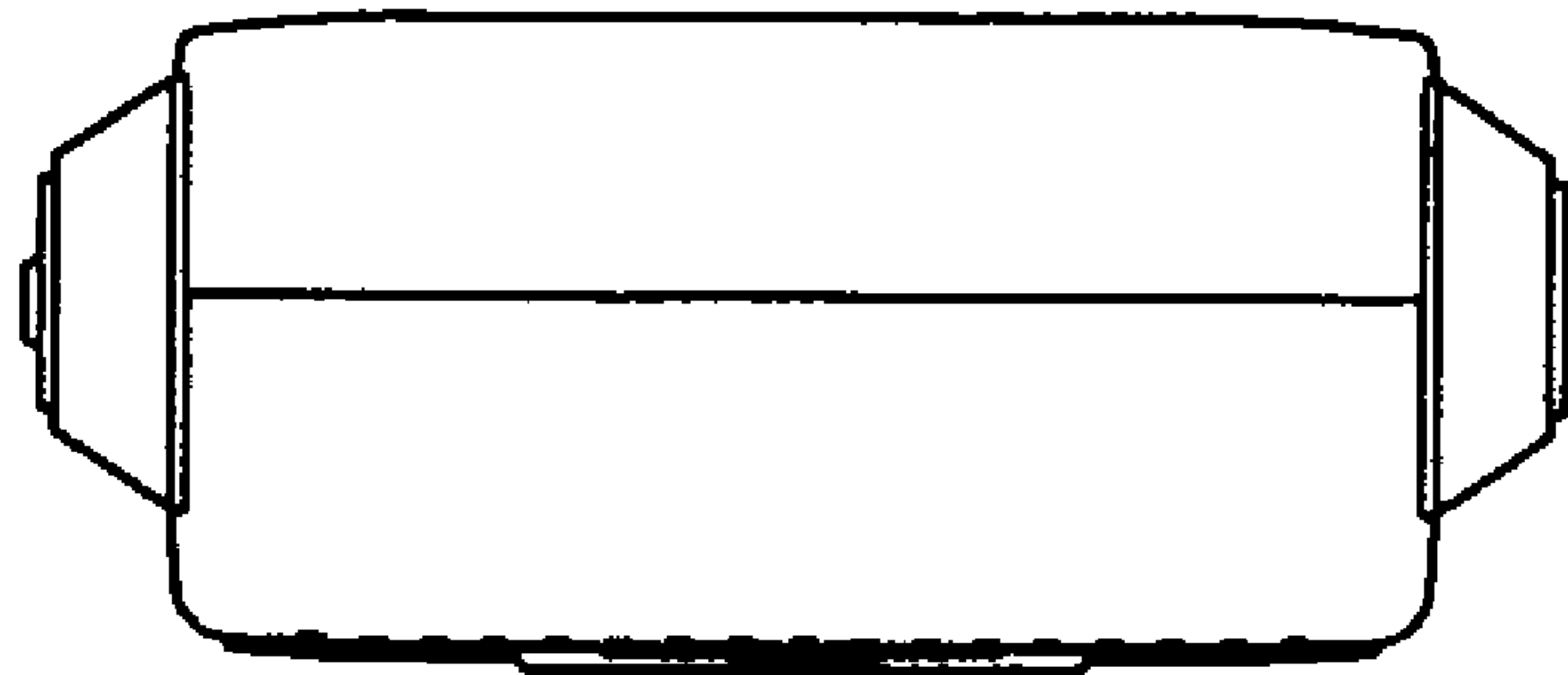


FIG. 7

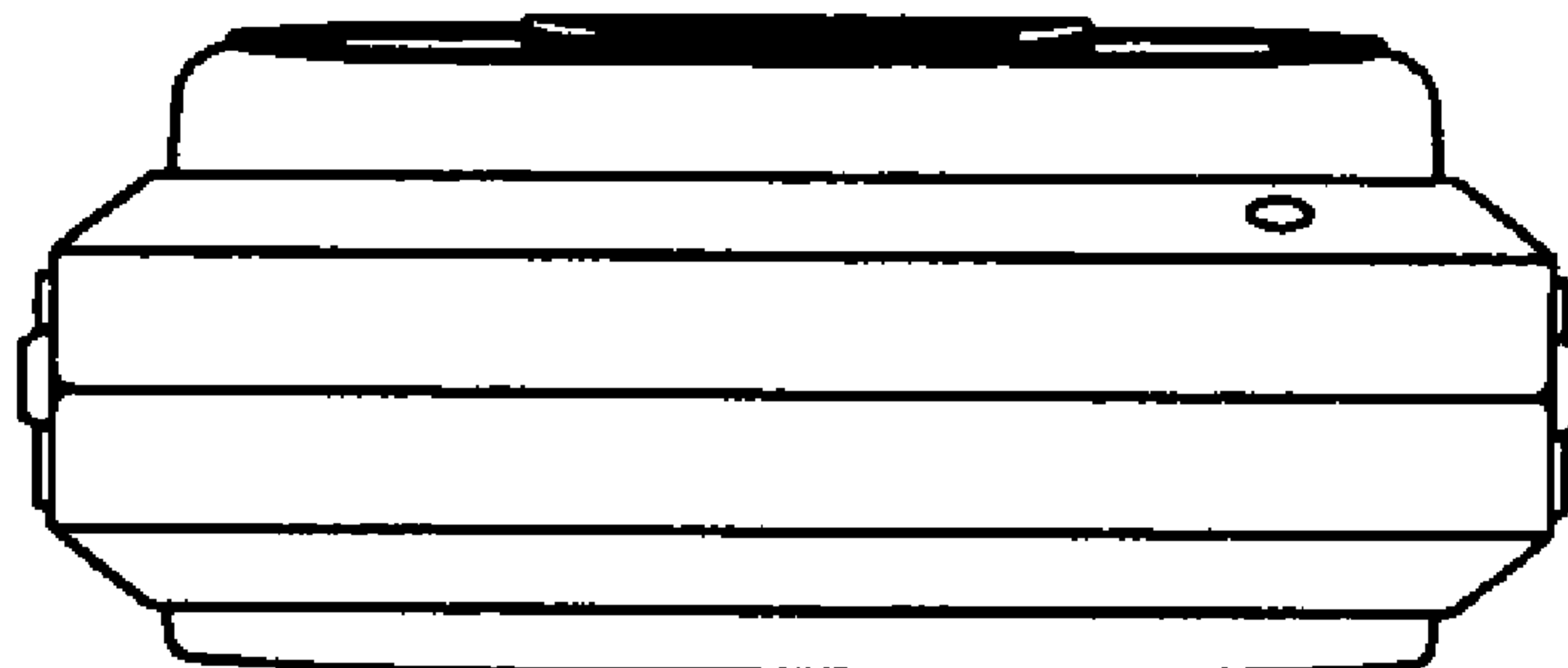


FIG. 8

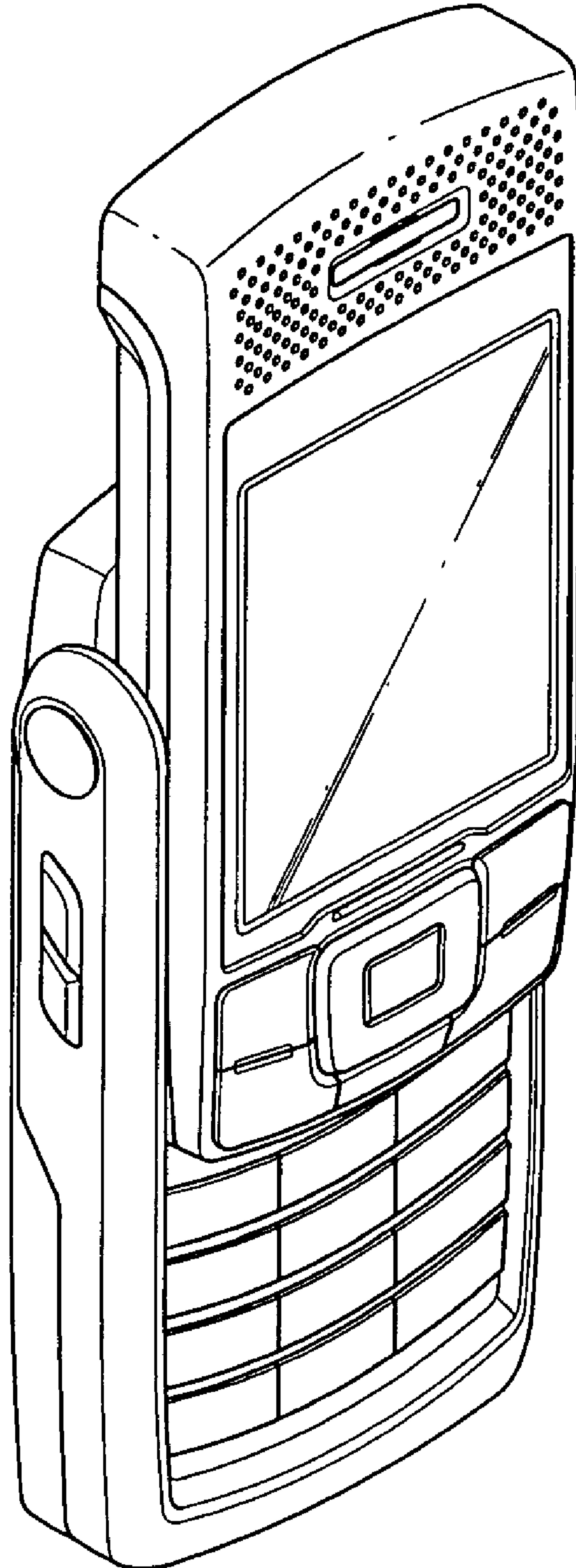


FIG. 9

