

US00D549194S

(12) **United States Design Patent** (10) **Patent No.:** **US D549,194 S**  
**Fujii** (45) **Date of Patent:** **\*\* Aug. 21, 2007**

(54) **TELEVISION SET**  
(75) Inventor: **Mitsunari Fujii**, Hyogo (JP)  
(73) Assignee: **Matsushita Electric Industrial Co., Ltd.**, Osaka (JP)

D505,807 S 6/2005 Goto et al.  
D509,198 S 9/2005 Ahn  
D510,919 S 10/2005 Kubota et al.  
D515,049 S \* 2/2006 Asanuma et al. .... D14/129  
D517,838 S \* 3/2006 Luong ..... D14/129  
D519,755 S \* 5/2006 Luong ..... D14/129

(\*\*) Term: **14 Years**  
(21) Appl. No.: **29/253,228**  
(22) Filed: **Feb. 1, 2006**

**FOREIGN PATENT DOCUMENTS**

(30) **Foreign Application Priority Data**  
Aug. 1, 2005 (JP) ..... 2005-022337

JP D1076454 6/2000  
JP D1143563 6/2002  
JP D1149593 8/2002  
JP D1175786 6/2003  
JP D1182525 8/2003  
JP D1182690 8/2003  
JP D1182691 8/2003  
JP D1186710 10/2003  
JP D1197509 2/2004  
JP D1217920 9/2004  
JP D1219866 10/2004  
JP D1236446 4/2005

(51) **LOC (8) Cl.** ..... **14-03**  
(52) **U.S. Cl.** ..... **D14/126**  
(58) **Field of Classification Search** ..... D14/125,  
D14/126, 127, 128, 129, 133, 134, 374, 375,  
D14/376; 348/836, 838, 180, 184, 325, 739,  
348/787, 789; 248/917-924; 345/104, 133,  
345/156, 168, 87, 173; 341/12; D6/477,  
D6/479

\* cited by examiner

*Primary Examiner*—Philip S. Hyder  
(74) *Attorney, Agent, or Firm*—Brinks Hofer Gilson & Lione

See application file for complete search history.

(56) **References Cited**

(57) **CLAIM**

**U.S. PATENT DOCUMENTS**

I claim the ornamental design for a television set, as shown and described.

D400,201 S 10/1998 Tsuge et al.  
D403,309 S 12/1998 Takemasa et al.  
D417,659 S 12/1999 Takemasa  
D424,068 S 5/2000 Takemasa  
D436,087 S 1/2001 Takami et al.  
D457,507 S 5/2002 Lim et al.  
D457,864 S 5/2002 Bong et al.  
D458,236 S 6/2002 Bong et al.  
D477,292 S 7/2003 Inoue et al.  
D485,539 S 1/2004 Goto et al.  
D486,804 S 2/2004 Takami et al.  
D488,141 S 4/2004 Takami et al.  
D488,784 S 4/2004 Takami et al.  
D488,785 S \* 4/2004 Ohba et al. .... D14/126  
D491,151 S 6/2004 Nagao  
D500,930 S 1/2005 Goto et al.

**DESCRIPTION**

FIG. 1 is a top perspective view of a television set of the present invention;  
FIG. 2 is a front view thereof;  
FIG. 3 is a top view thereof;  
FIG. 4 is a first side view thereof;  
FIG. 5 is a second side view thereof;  
FIG. 6 is a bottom view thereof; and,  
FIG. 7 is a rear view thereof.

**1 Claim, 3 Drawing Sheets**

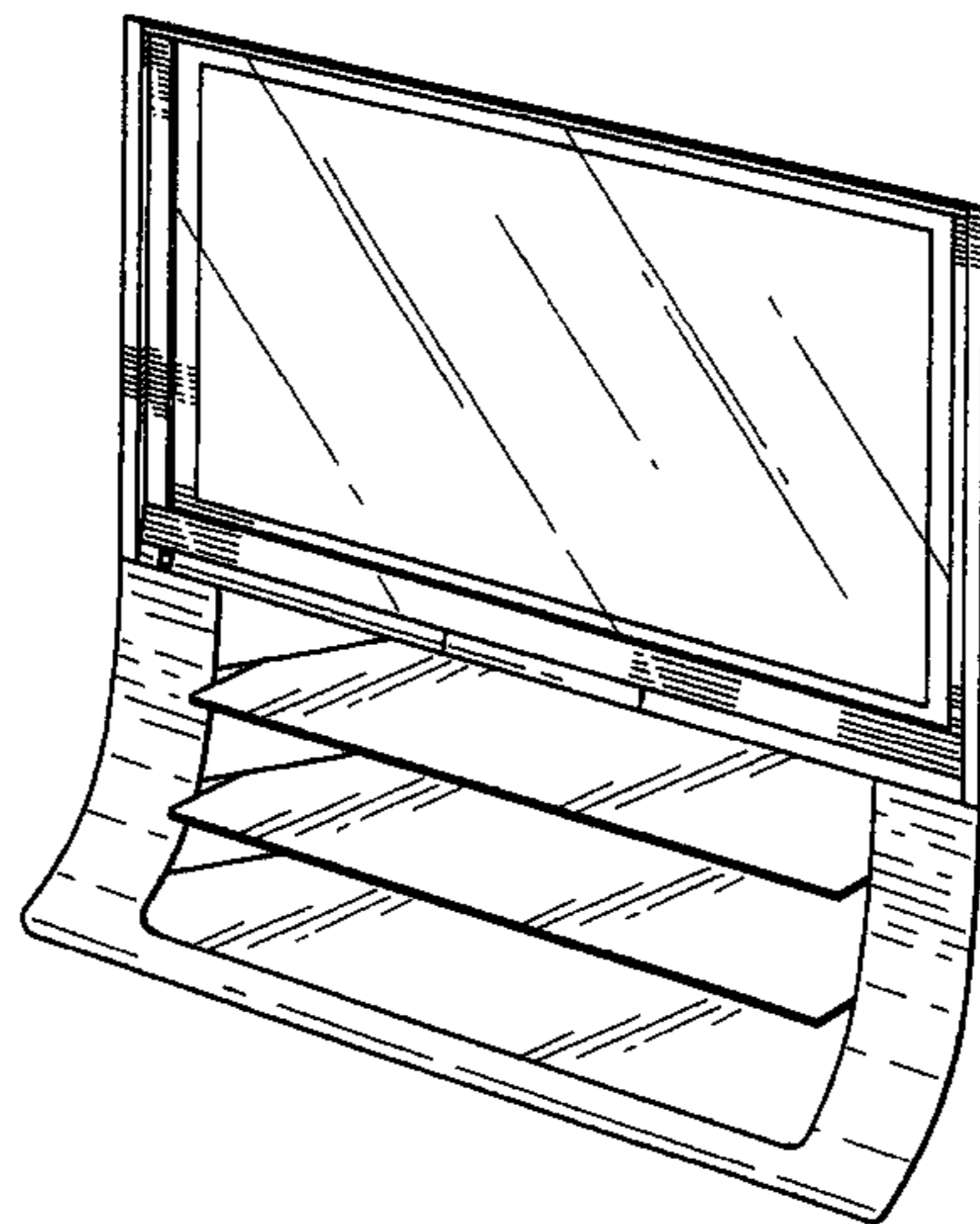


FIG.1

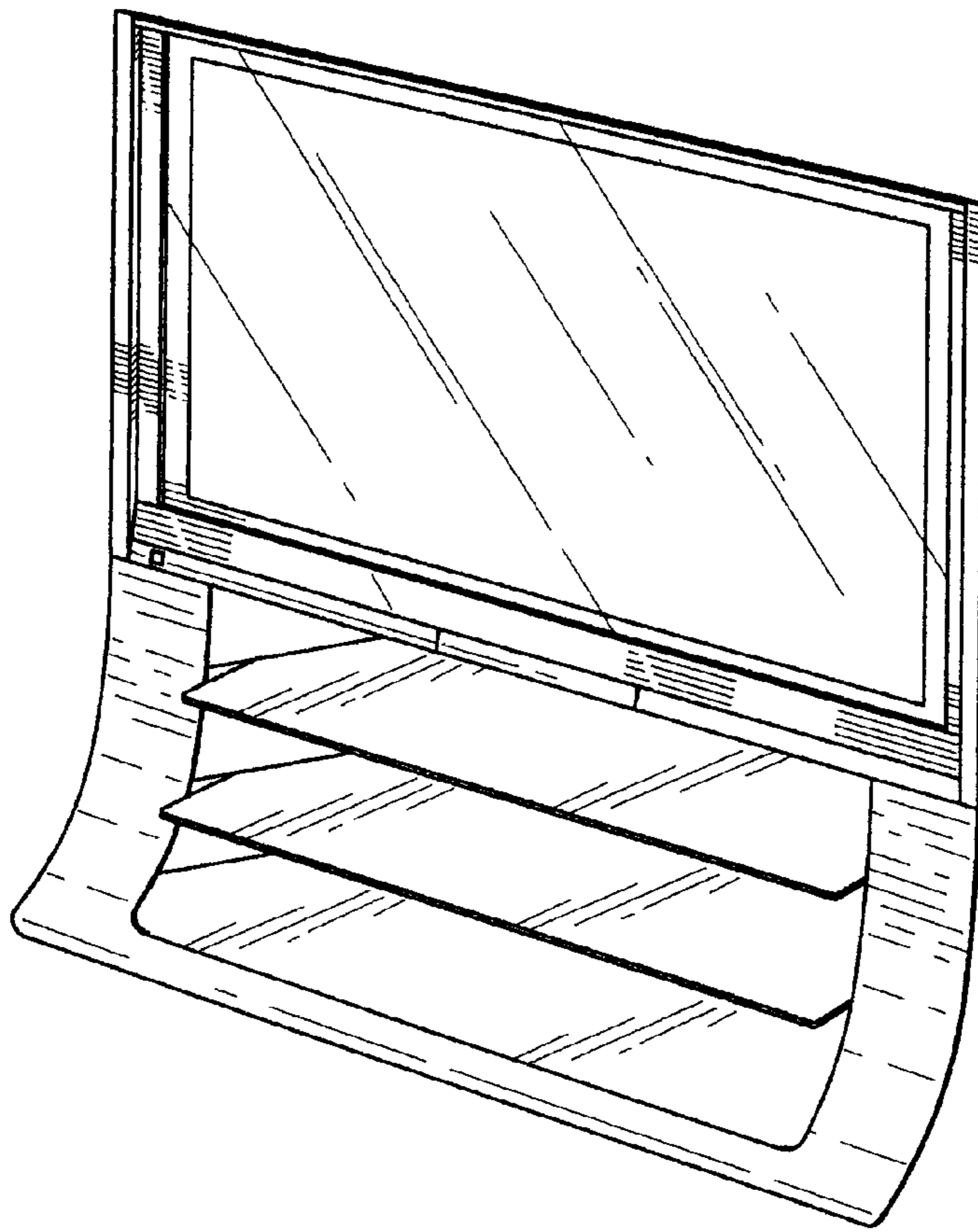


FIG.2

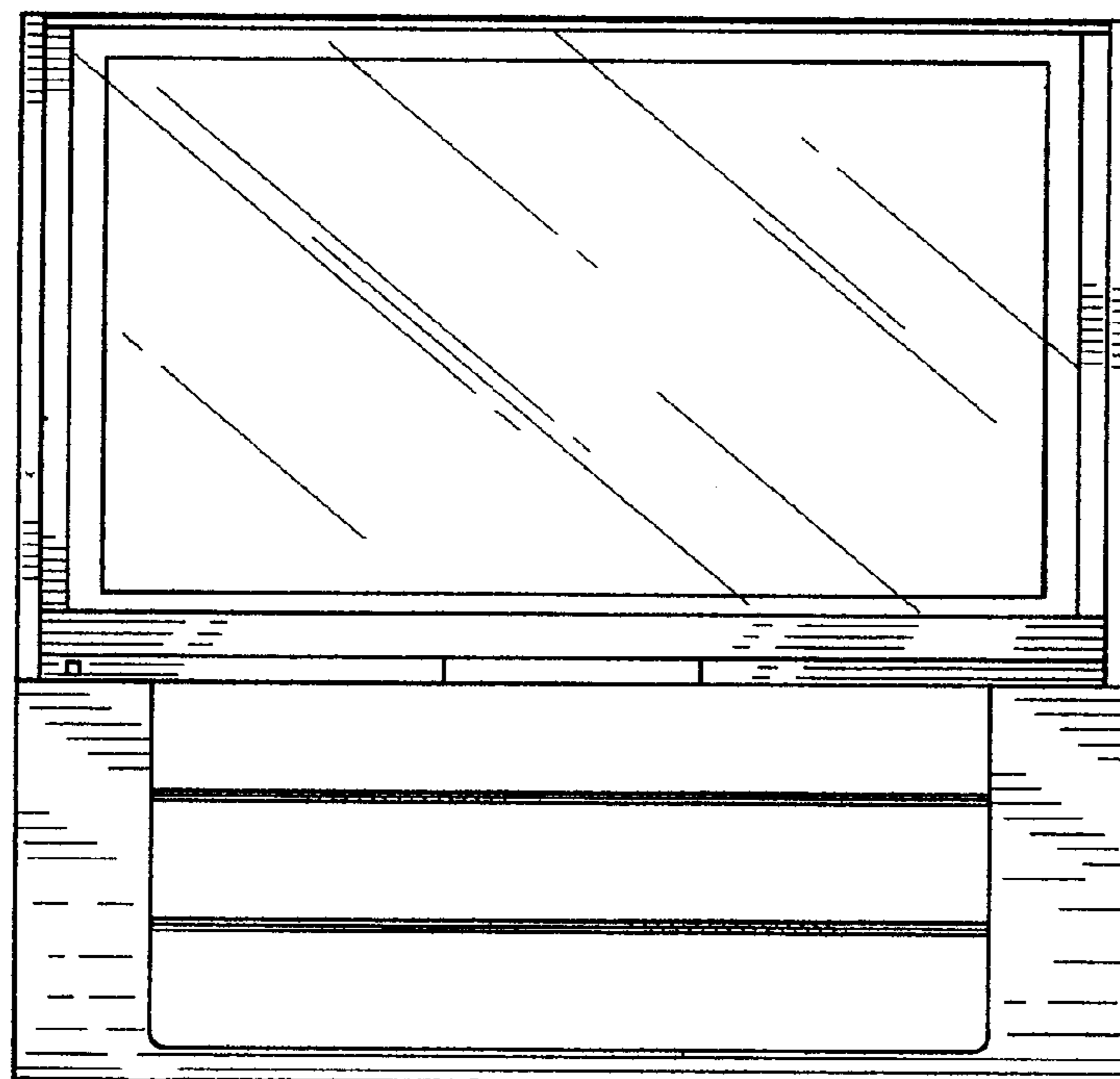


FIG.3

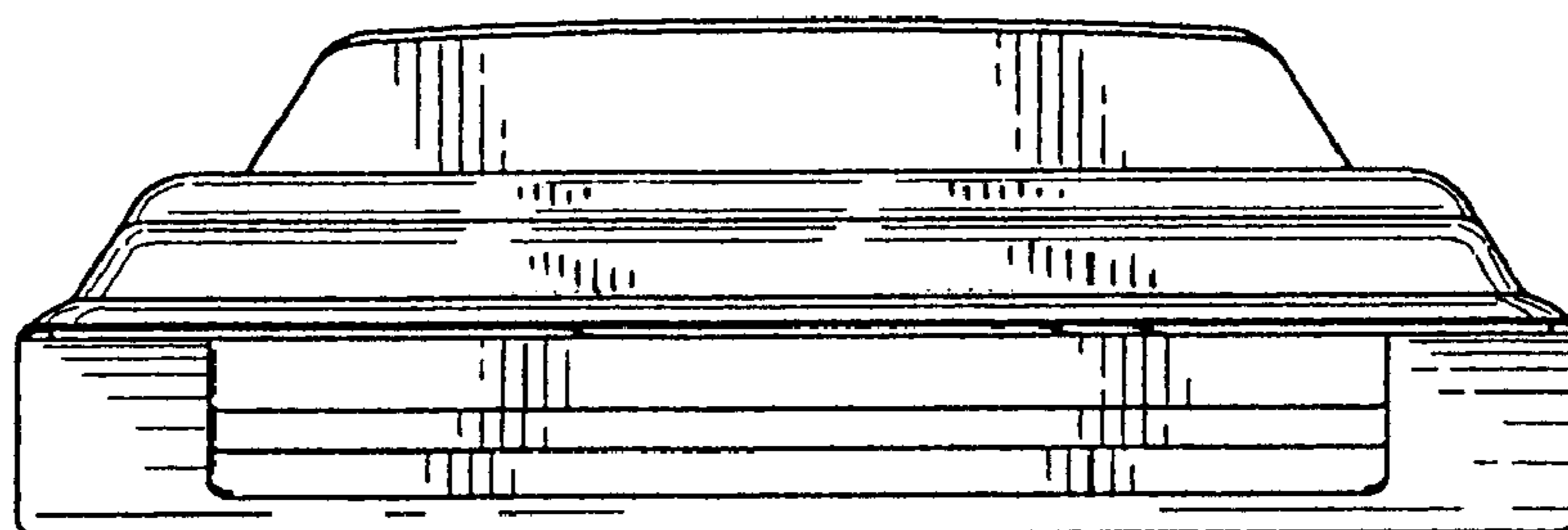


FIG.4

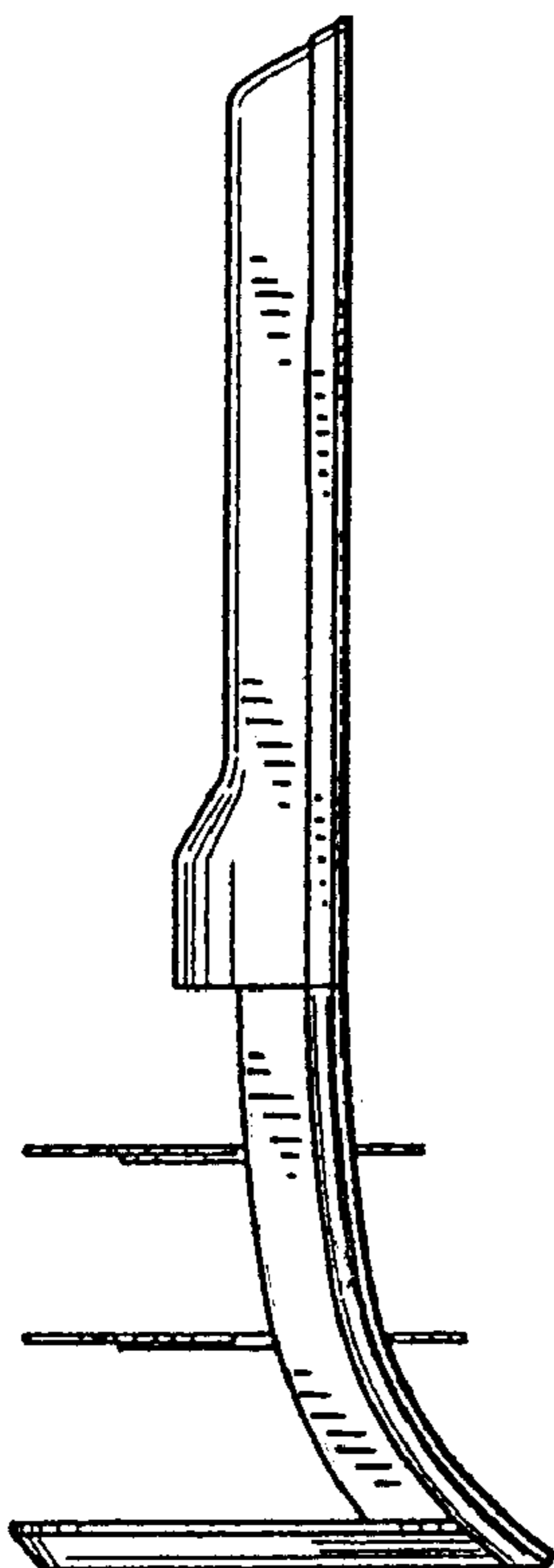


FIG.5

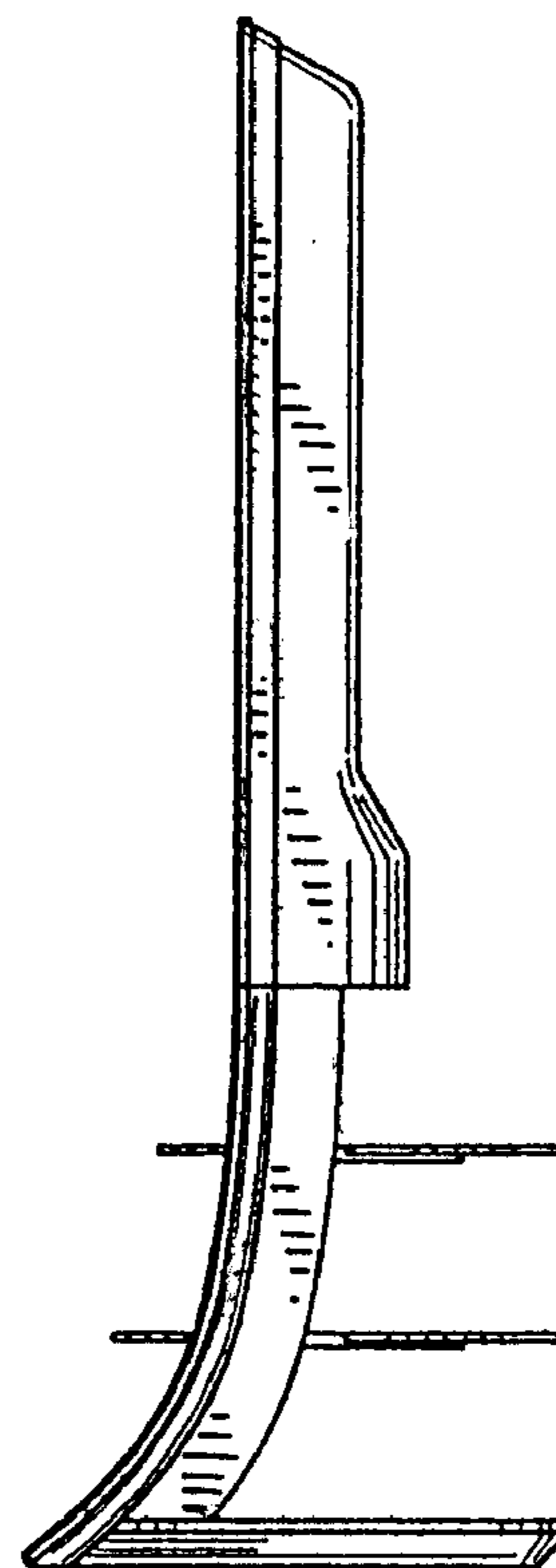


FIG.6

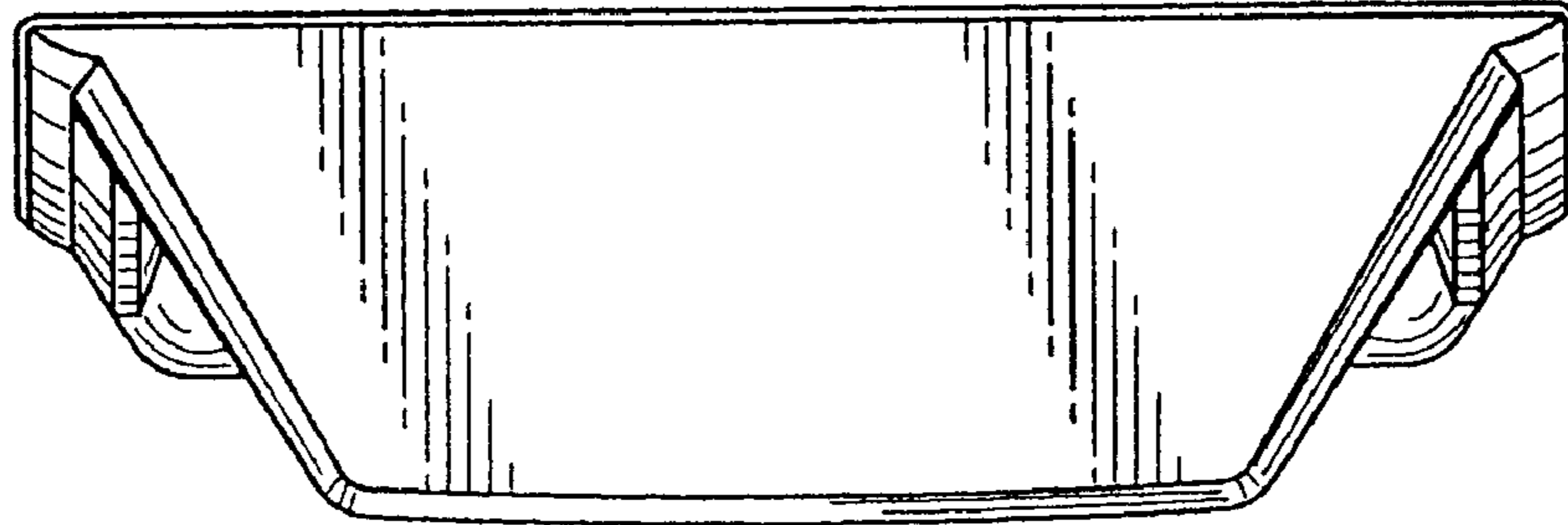


FIG.7

