

US00D549188S

(12) **United States Design Patent** (10) **Patent No.:** **US D549,188 S**
Son (45) **Date of Patent:** **** Aug. 21, 2007**

(54) **LIGHT-EMITTING DIODE (LED)**
(75) Inventor: **Won Jin Son**, Gwangju (KR)
(73) Assignee: **LG Innotek Co., Ltd**, Seoul (KR)
(**) Term: **14 Years**

(21) Appl. No.: **29/263,986**
(22) Filed: **Aug. 2, 2006**

(30) **Foreign Application Priority Data**
Mar. 16, 2006 (KR) 30-2006-0009689

(51) **LOC (8) Cl.** **13-03**
(52) **U.S. Cl.** **D13/180**
(58) **Field of Classification Search** D13/180;
D26/2; 257/79, 80, 81, 82, 88, 89, 95, 98,
257/99, 100, 678, 680, 433, 434; 313/483,
313/498, 500; 361/820; 362/555, 800
See application file for complete search history.

(56) **References Cited**
U.S. PATENT DOCUMENTS
D499,075 S * 11/2004 Yoon et al. D13/180
D500,294 S * 12/2004 Ishida D13/180
D528,998 S * 9/2006 Song et al. D13/180
D531,141 S * 10/2006 Tzeng D13/180

D534,132 S * 12/2006 Yoon D13/180
2006/0023451 A1 * 2/2006 Han et al. 362/249
2006/0284203 A1 * 12/2006 Han et al. 257/98
2007/0029564 A1 * 2/2007 Han et al. 257/98
2007/0029915 A1 * 2/2007 Kim et al. 313/483

* cited by examiner
Primary Examiner—Selina Sikder
(74) *Attorney, Agent, or Firm*—Birch, Stewart, Kolasch & Birch, LLP

(57) **CLAIM**
The ornamental design for a light-emitting diode (LED), as shown and described.

DESCRIPTION
FIG. 1 is a perspective view of the light-emitting diode (LED) showing my new design;
FIG. 2 is a front view thereof;
FIG. 3 is a rear view thereof;
FIG. 4 is a left side view thereof;
FIG. 5 is a right side view thereof;
FIG. 6 is a top view thereof; and,
FIG. 7 is a bottom view thereof.

1 Claim, 3 Drawing Sheets

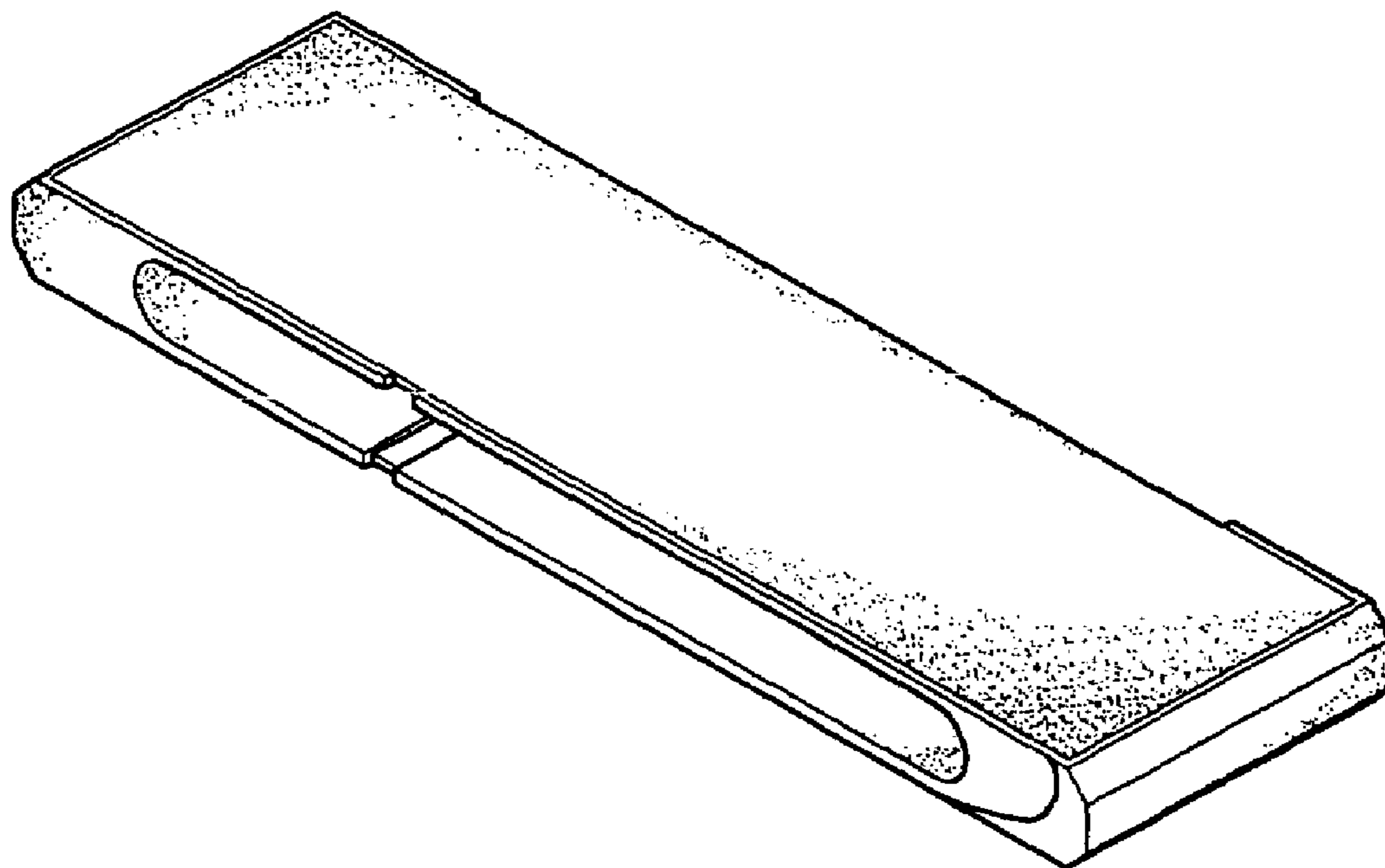


FIG. 1

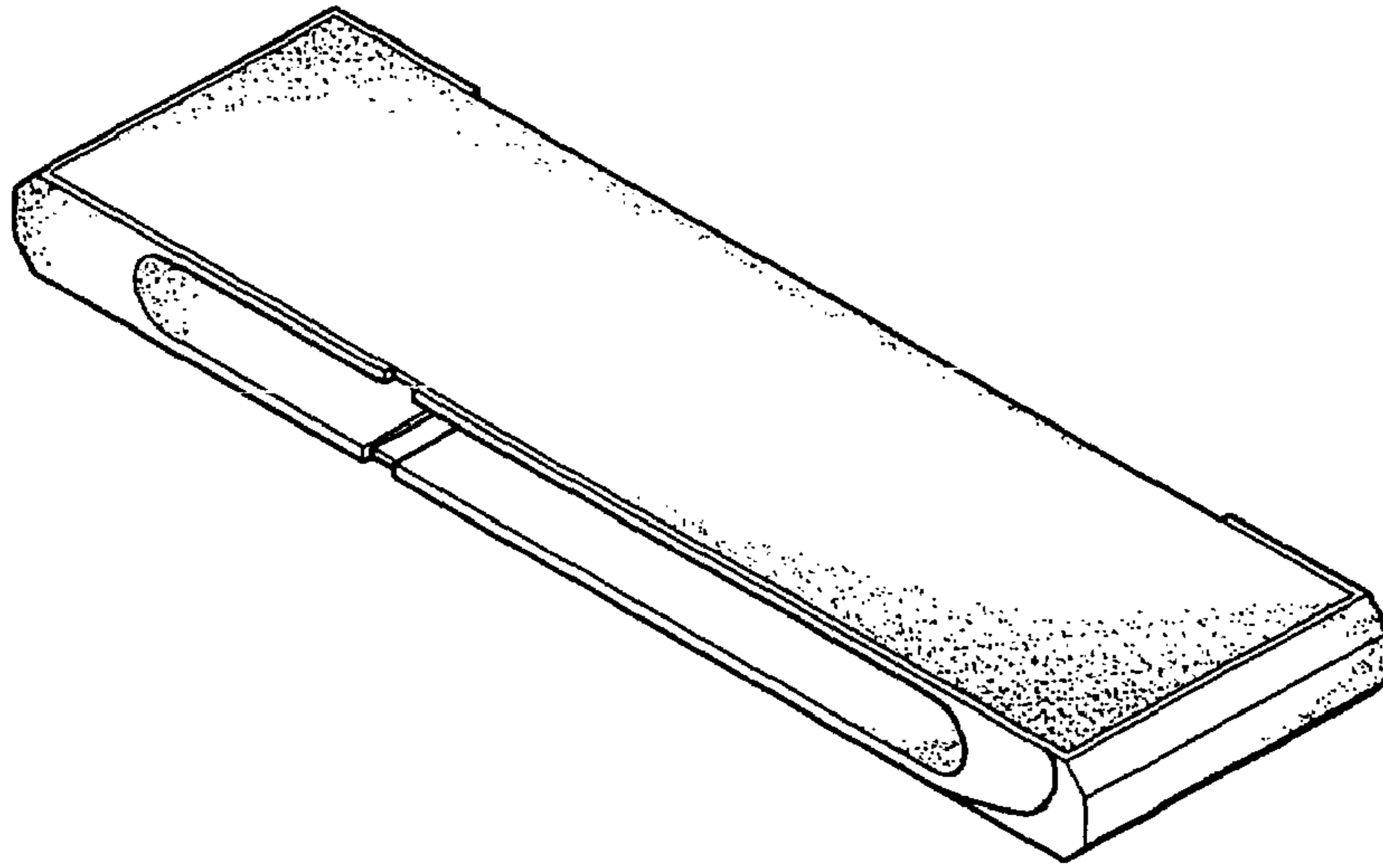


FIG. 2

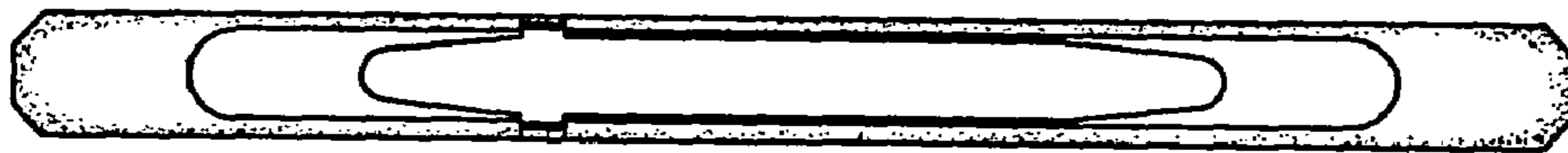


FIG. 3

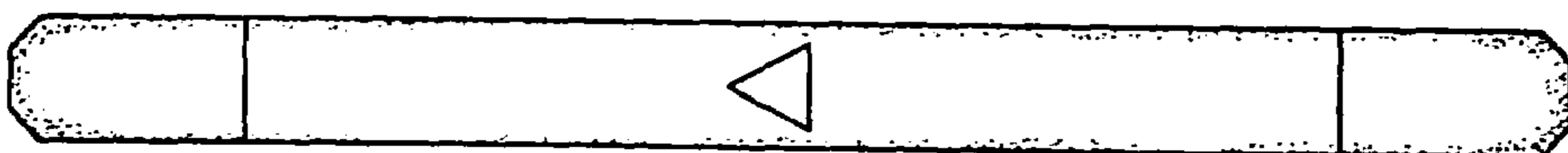


FIG. 4

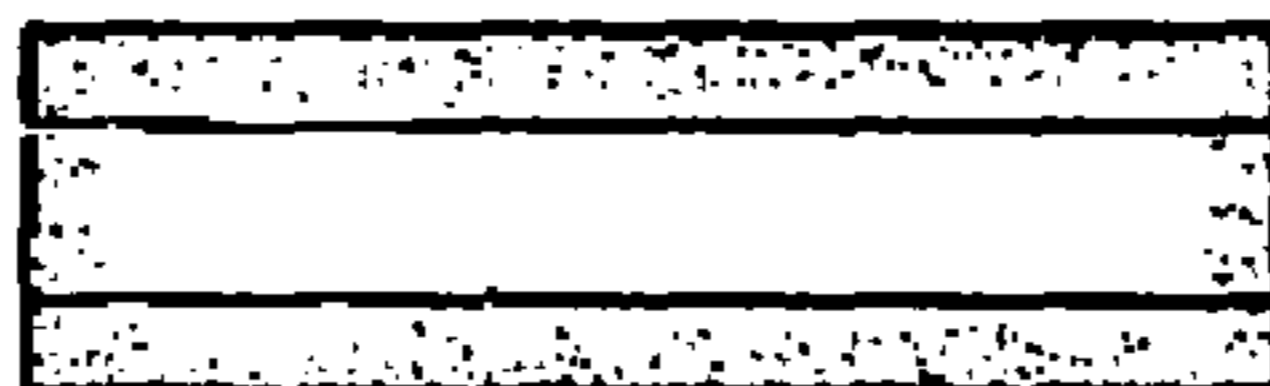


FIG. 5

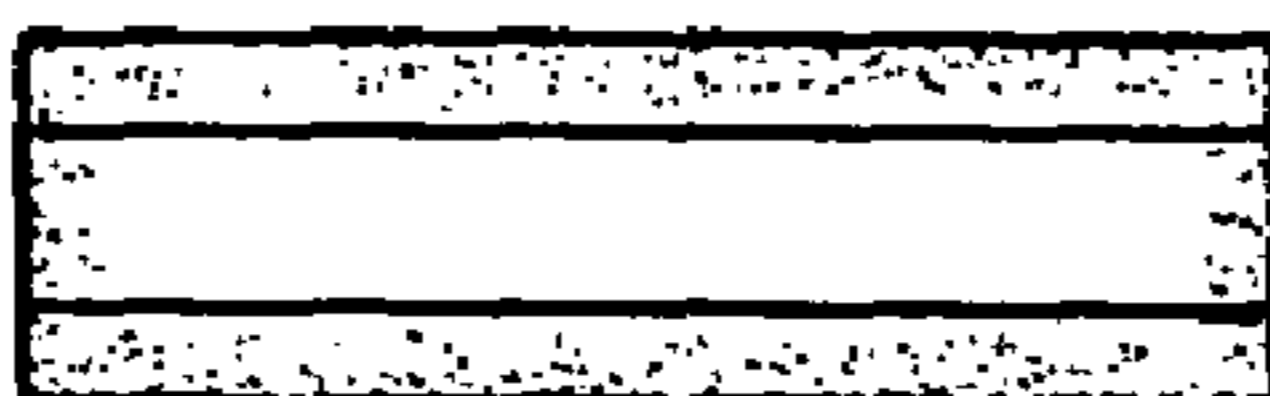


FIG. 6

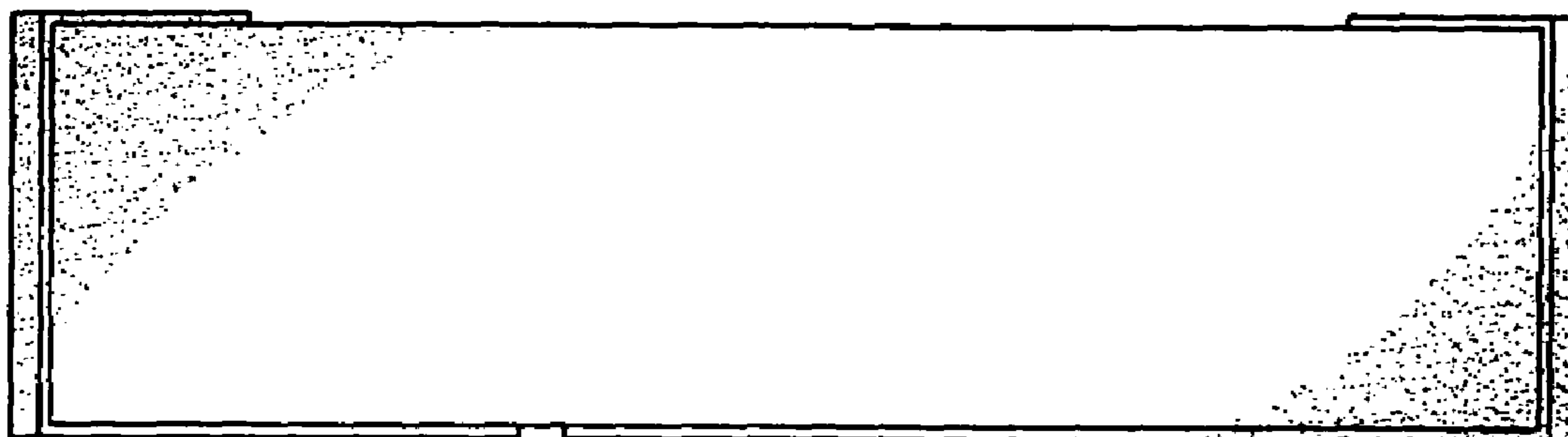


FIG. 7

