

US00D549187S

(12) **United States Design Patent**
Park et al.

(10) **Patent No.:** **US D549,187 S**

(45) **Date of Patent:** **** Aug. 21, 2007**

(54) **LIGHT EMITTING DIODE (LED) PACKAGE**

(75) Inventors: **Ik-Seong Park**, Seoul (KR); **Jin-Won Lee**, Yongin-si (KR); **Chi-Ok In**, Chungcheongnam-do (KR); **Sun-Hong Kim**, Incheon (KR); **Hwa-Kyung Choi**, Yongin-si (KR)

(73) Assignee: **Alti-Electronics Co., Ltd.**, Yongin (KR)

(**) Term: **14 Years**

(21) Appl. No.: **29/262,322**

(22) Filed: **Jun. 28, 2006**

(30) **Foreign Application Priority Data**

Jan. 9, 2006 (KR) 30-2006-0000799

(51) **LOC (8) Cl.** **13-03**

(52) **U.S. Cl.** **D13/180**

(58) **Field of Classification Search** D13/180;
D26/2; 257/79, 80, 81, 82, 88, 89, 95, 98,
257/99, 100, 678, 680, 433, 434; 313/483,
313/498, 500; 361/820; 362/555, 800
See application file for complete search history.

(56) **References Cited**

U.S. PATENT DOCUMENTS

D500,294 S * 12/2004 Ishida D13/180
D512,693 S * 12/2005 Kim et al. D13/180
D518,449 S * 4/2006 Ishida D13/180
D528,998 S * 9/2006 Song et al. D13/180

D529,452 S * 10/2006 Kim et al. D13/180
D531,141 S * 10/2006 Tzeng D13/180
D534,132 S * 12/2006 Yoon D13/180
2005/0121688 A1 * 6/2005 Nagai et al. 257/99
2006/0023451 A1 * 2/2006 Han et al. 362/249
2006/0284203 A1 * 12/2006 Han et al. 257/98
2007/0029564 A1 * 2/2007 Han et al. 257/98

* cited by examiner

Primary Examiner—Selina Sikder

(74) *Attorney, Agent, or Firm*—Knobbe Martens Olson & Bear LLP

(57) **CLAIM**

The ornamental design for a light emitting diode (LED) package, as shown and described herein.

DESCRIPTION

FIG. 1 is a perspective view of a light emitting diode (LED) package in accordance with an embodiment of the present invention.

FIG. 2 is a front view of the LED package.

FIG. 3 is a rear view of the LED package.

FIG. 4 is a left side view of the LED package.

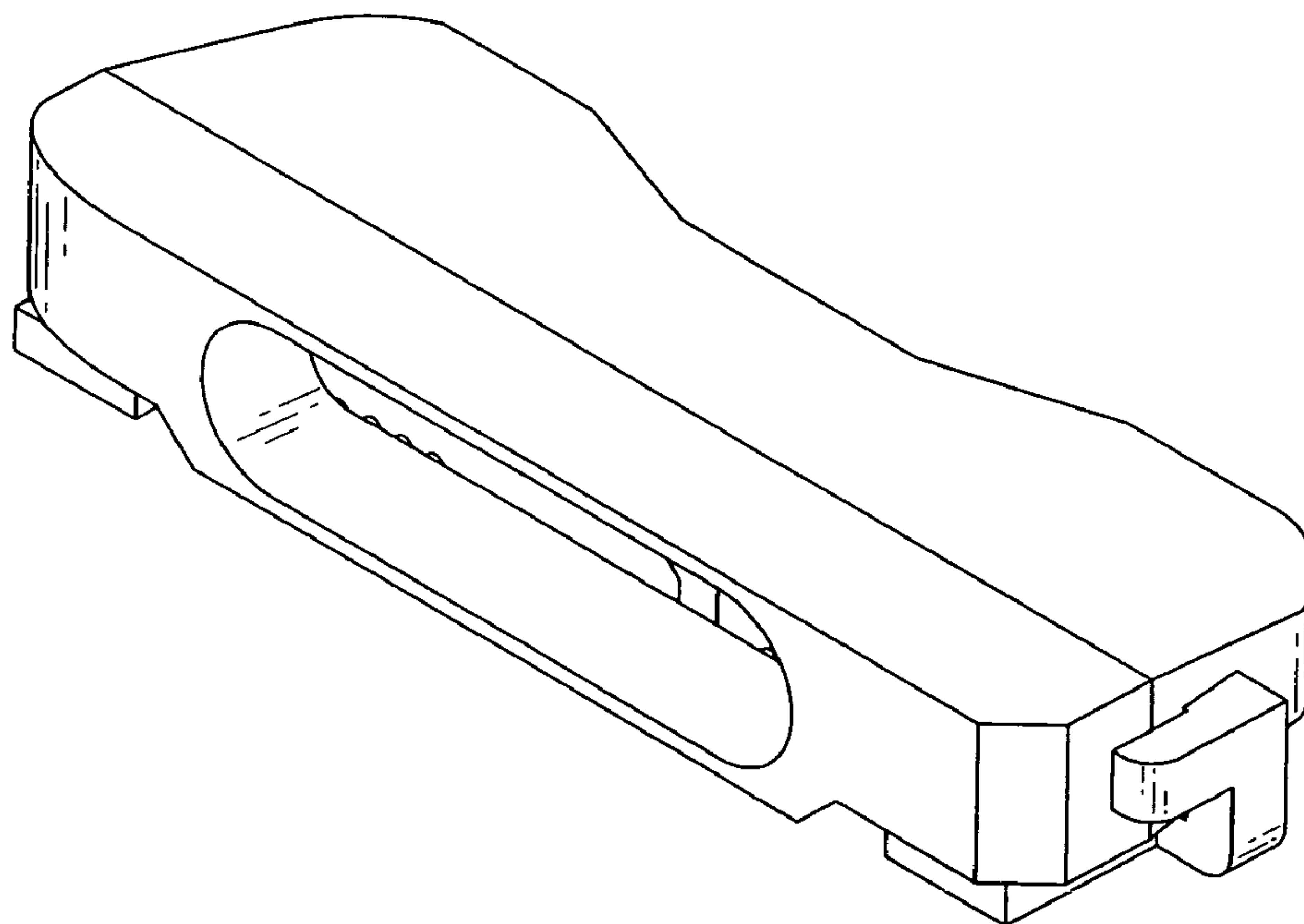
FIG. 5 is a right side view of the LED package.

FIG. 6 is a top view of the LED package.

FIG. 7 is a bottom view of the LED package; and,

FIG. 8 is a cross-sectional view taken along line 8-8 in FIG. 6.

1 Claim, 5 Drawing Sheets



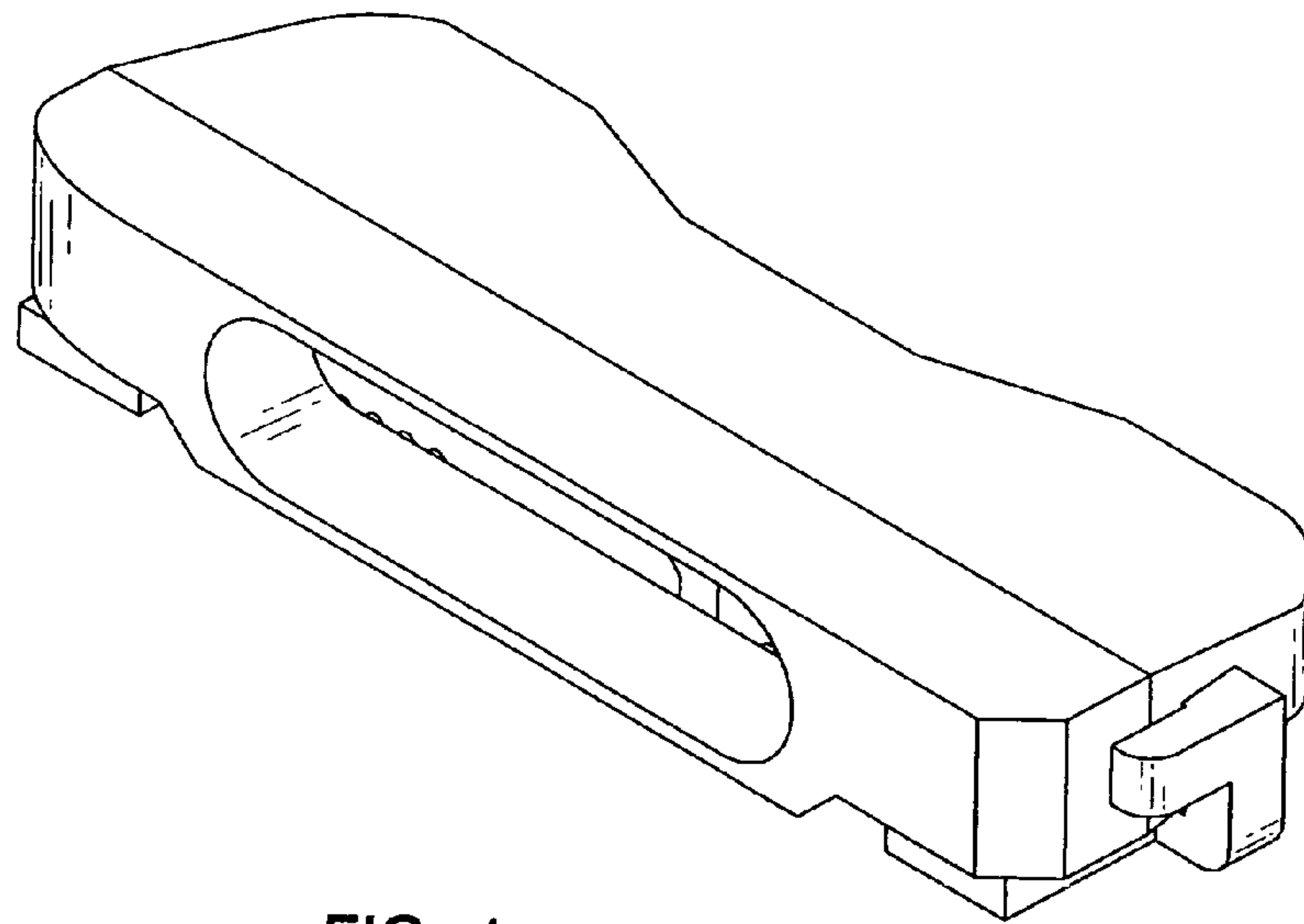


FIG. 1

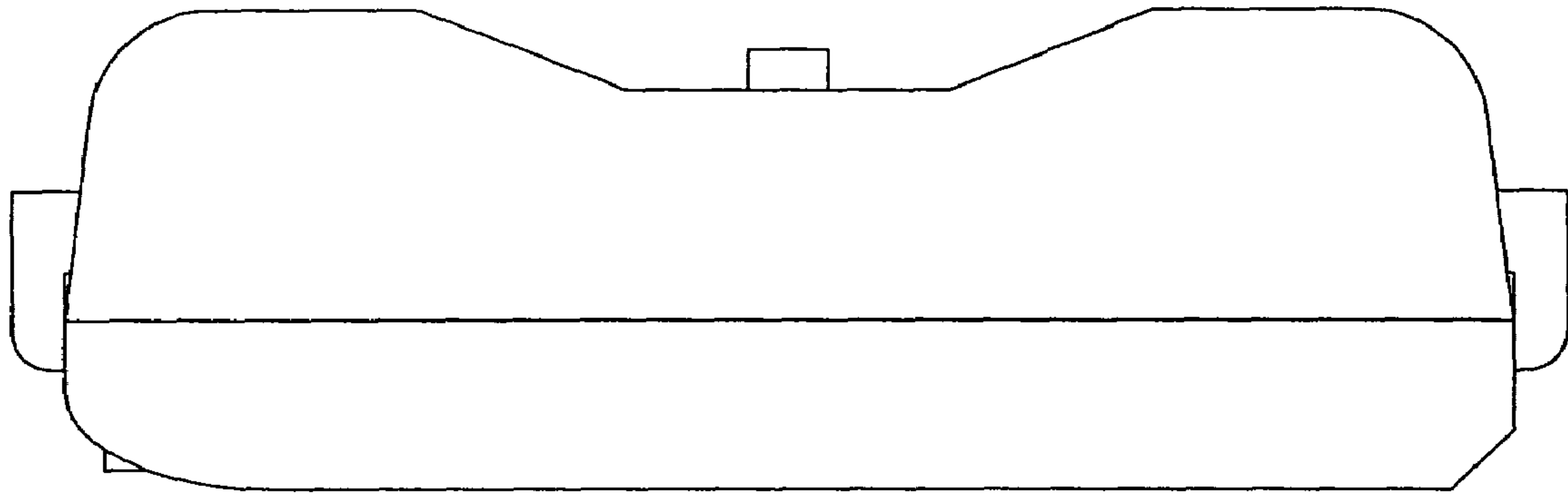


FIG. 2

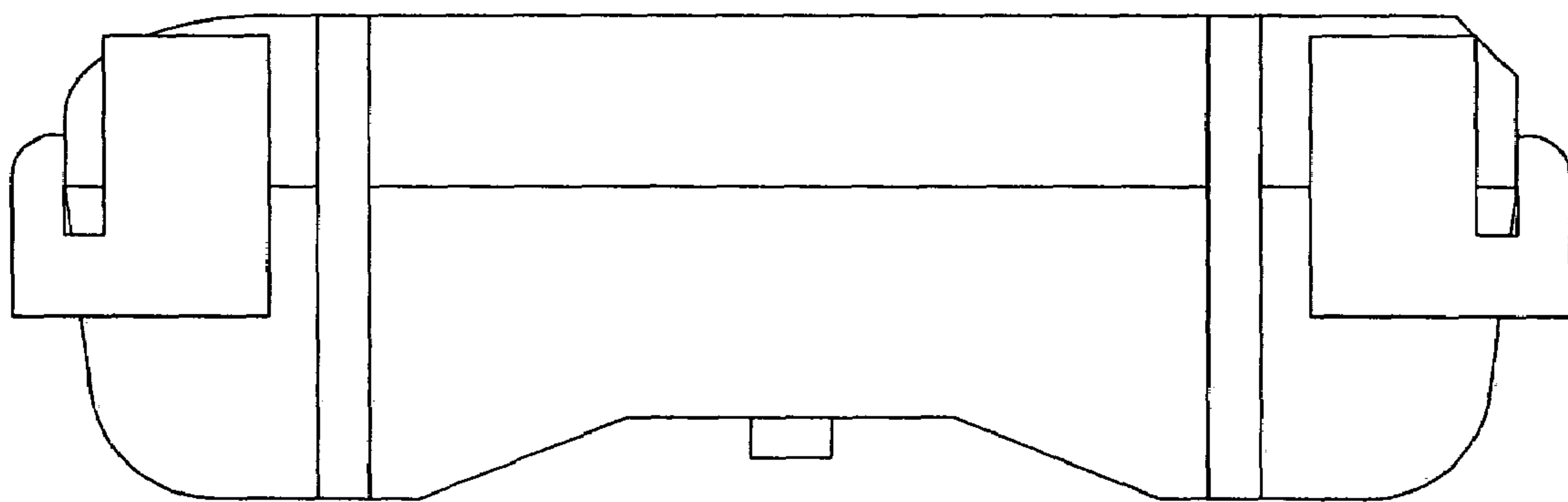


FIG. 3

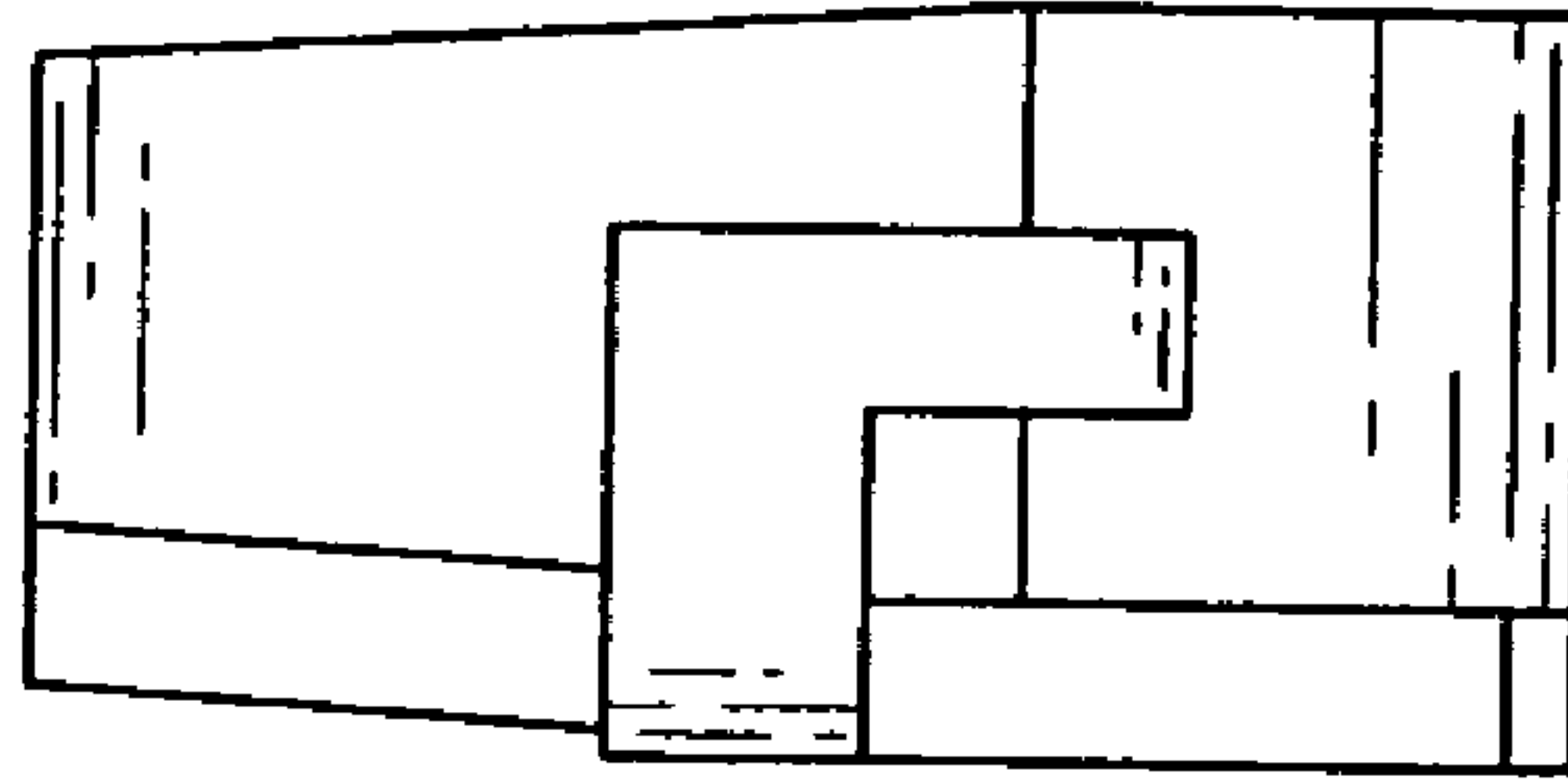


FIG. 4

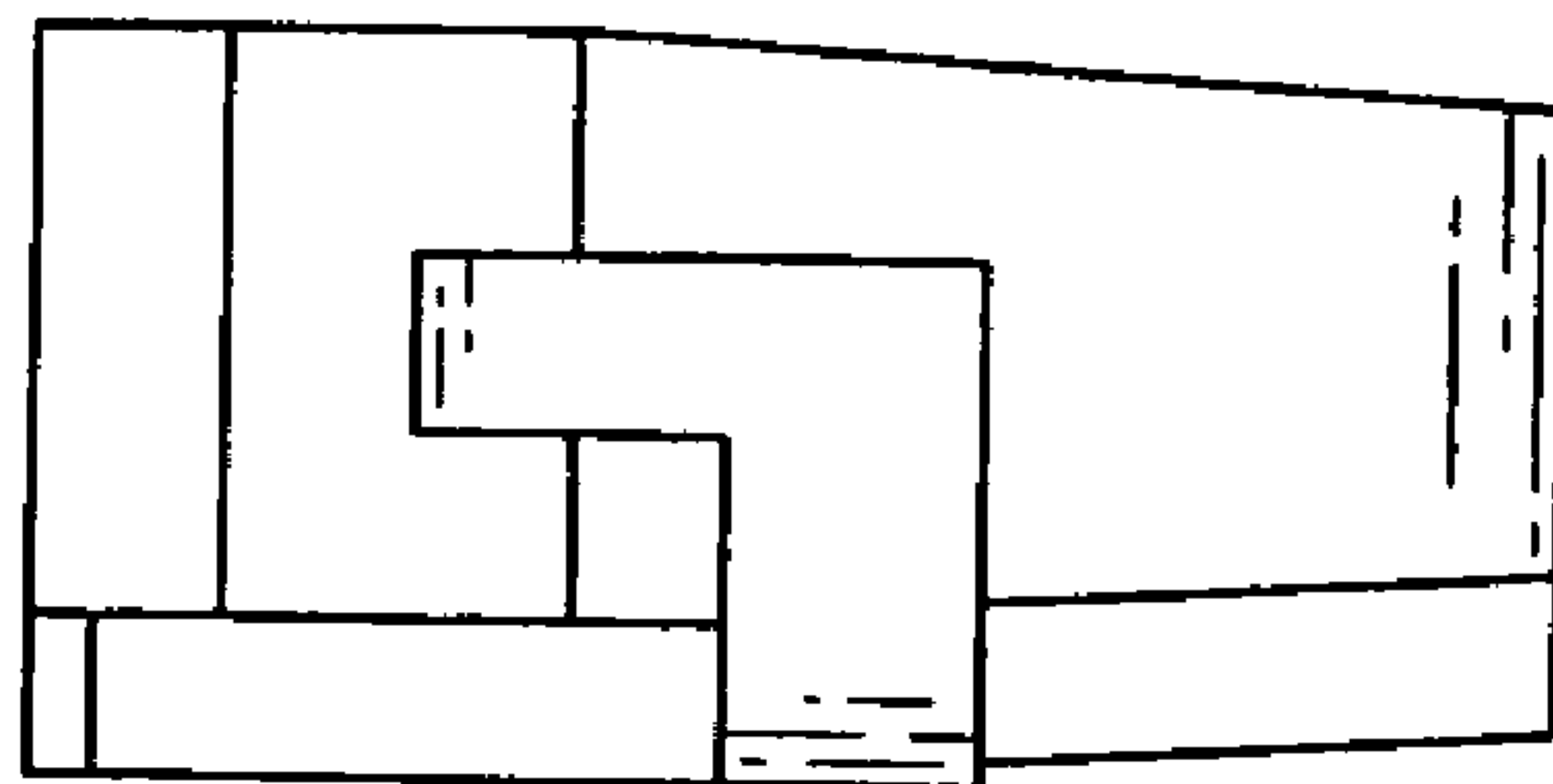
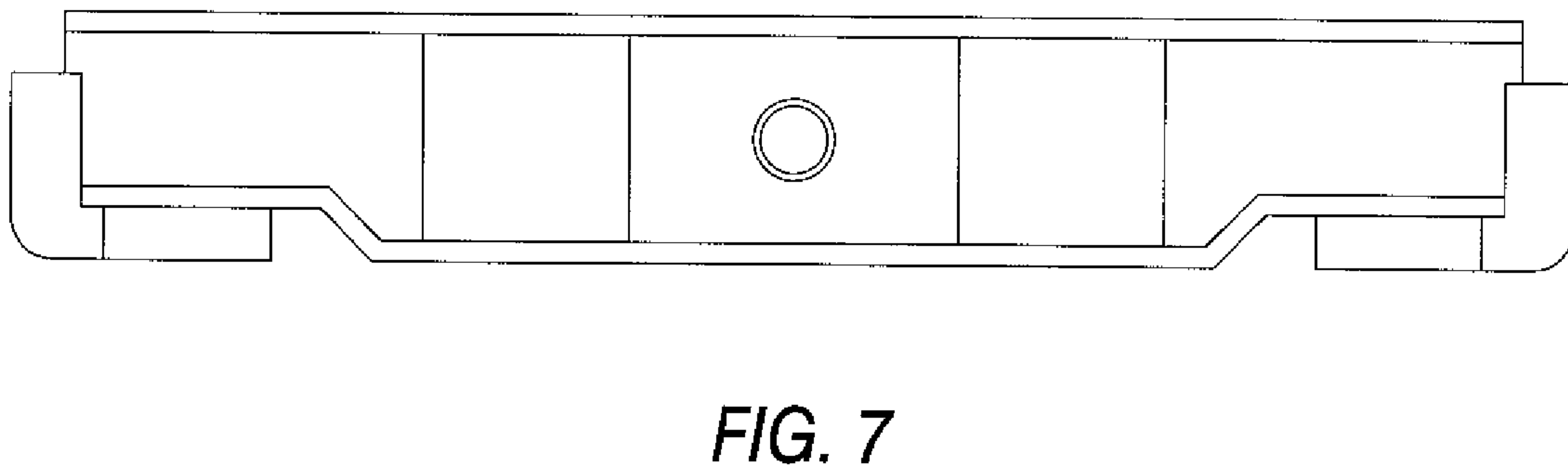
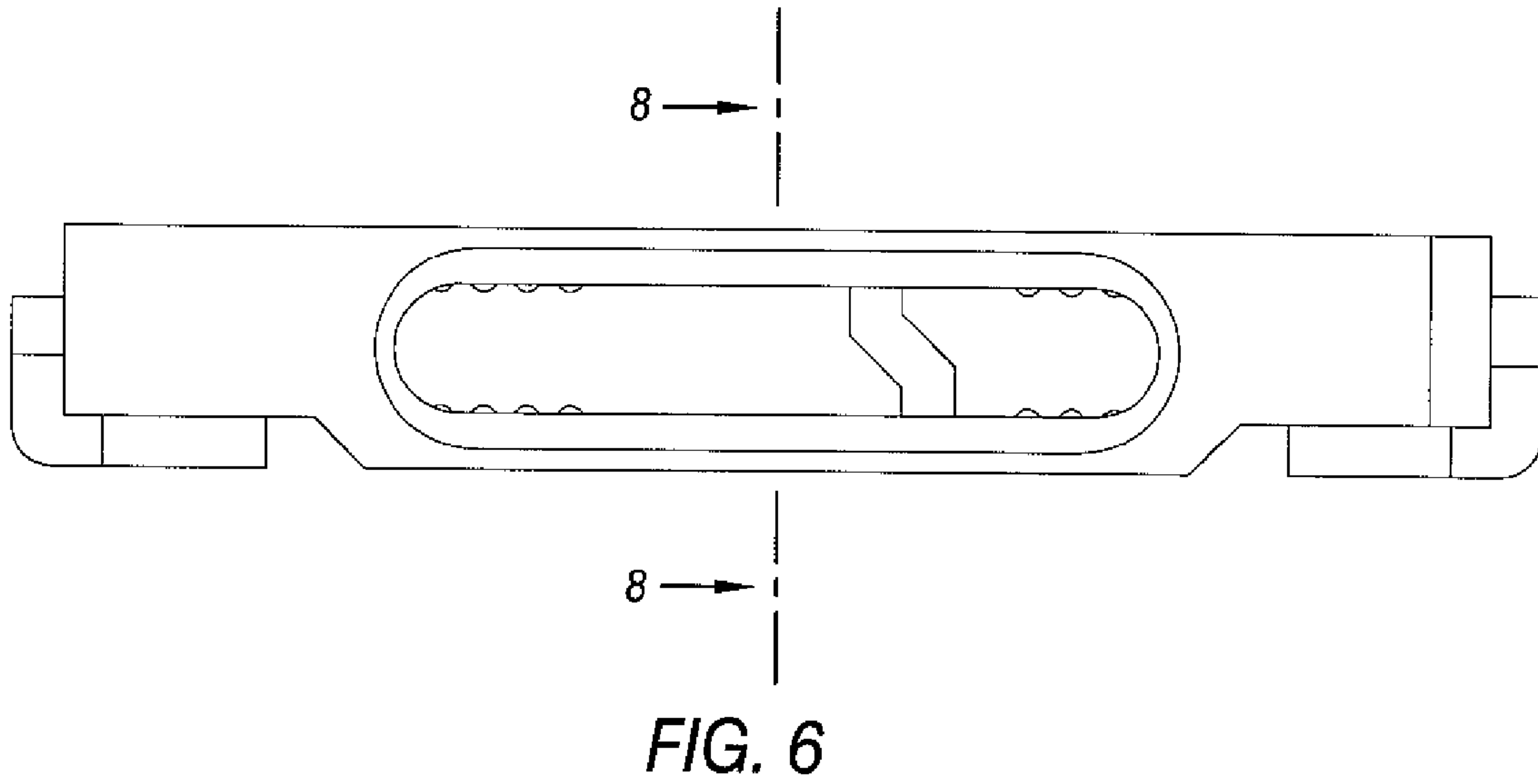


FIG. 5



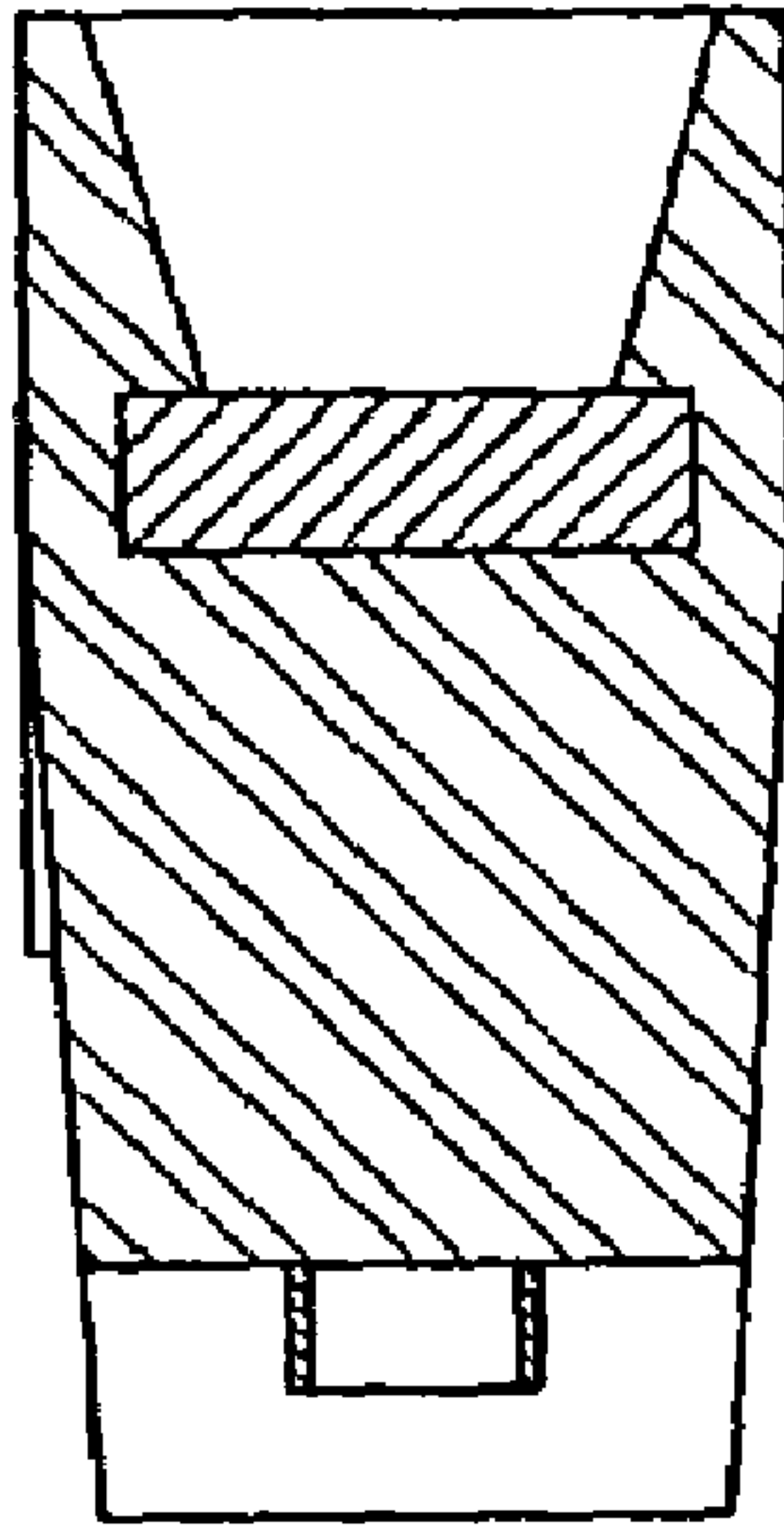


FIG. 8