

US00D549184S

(12) **United States Design Patent** (10) **Patent No.:** **US D549,184 S**  
**Riley** (45) **Date of Patent:** **\*\* Aug. 21, 2007**

(54) **CONTROLLER**

(75) Inventor: **Harry Lee Riley**, Middletown, DE (US)

(73) Assignee: **Bachmann Industries, Inc.**, Philadelphia, PA (US)

(\*\*) Term: **14 Years**

(21) Appl. No.: **29/252,433**

(22) Filed: **Jan. 23, 2006**

(51) **LOC (8) Cl.** ..... **13-03**

(52) **U.S. Cl.** ..... **D13/164**

(58) **Field of Classification Search** ..... D13/162,  
D13/168, 164; 174/50, 52.1, 58; 340/825.22,  
340/825.24; 361/622, 627, 679, 680, 681;  
700/17

See application file for complete search history.

(56) **References Cited**

**U.S. PATENT DOCUMENTS**

D259,721 S	6/1981	Pusl	
D300,220 S *	3/1989	Schremmer	D14/218
D306,998 S	4/1990	Mintz et al.	
D393,629 S	4/1998	Tsui	
5,877,953 A	3/1999	Clendenen et al.	
D413,073 S *	8/1999	Brechbill et al.	D10/50
D435,522 S	12/2000	Ohlwine et al.	
D458,159 S *	6/2002	Amborn et al.	D10/50
D513,737 S *	1/2006	Riley	D13/164
D515,038 S *	2/2006	Riley	D13/162

2003/0018397 A1 1/2003 Chanu  
2003/0135292 A1 7/2003 Husgafvel et al.  
2005/0075741 A1 4/2005 Altmann et al.

\* cited by examiner

*Primary Examiner*—Selina Sikder

(74) *Attorney, Agent, or Firm*—Garcia-Zamor IP Law; Ruy M. Garcia-Zamor

(57) **CLAIM**

I claim the new ornamental design for a controller, as shown and described.

**DESCRIPTION**

FIG. 1 is a perspective view of a controller according to a preferred embodiment of my new design;

FIG. 2 is a left side elevational view of the controller of FIG. 1;

FIG. 3 is a right side elevational view of the controller of FIG. 1;

FIG. 4 is a top plan view of the controller of FIG. 1;

FIG. 5 is a front elevational view of the controller of FIG. 1;

FIG. 6 is a bottom plan view of the controller of FIG. 1; and,

FIG. 7 is a rear elevational view of the controller of FIG. 1.

The dashed lines in FIGS. 1–7 represent environment and are for illustrative purposes only and do not constitute part of the claimed design.

**1 Claim, 3 Drawing Sheets**

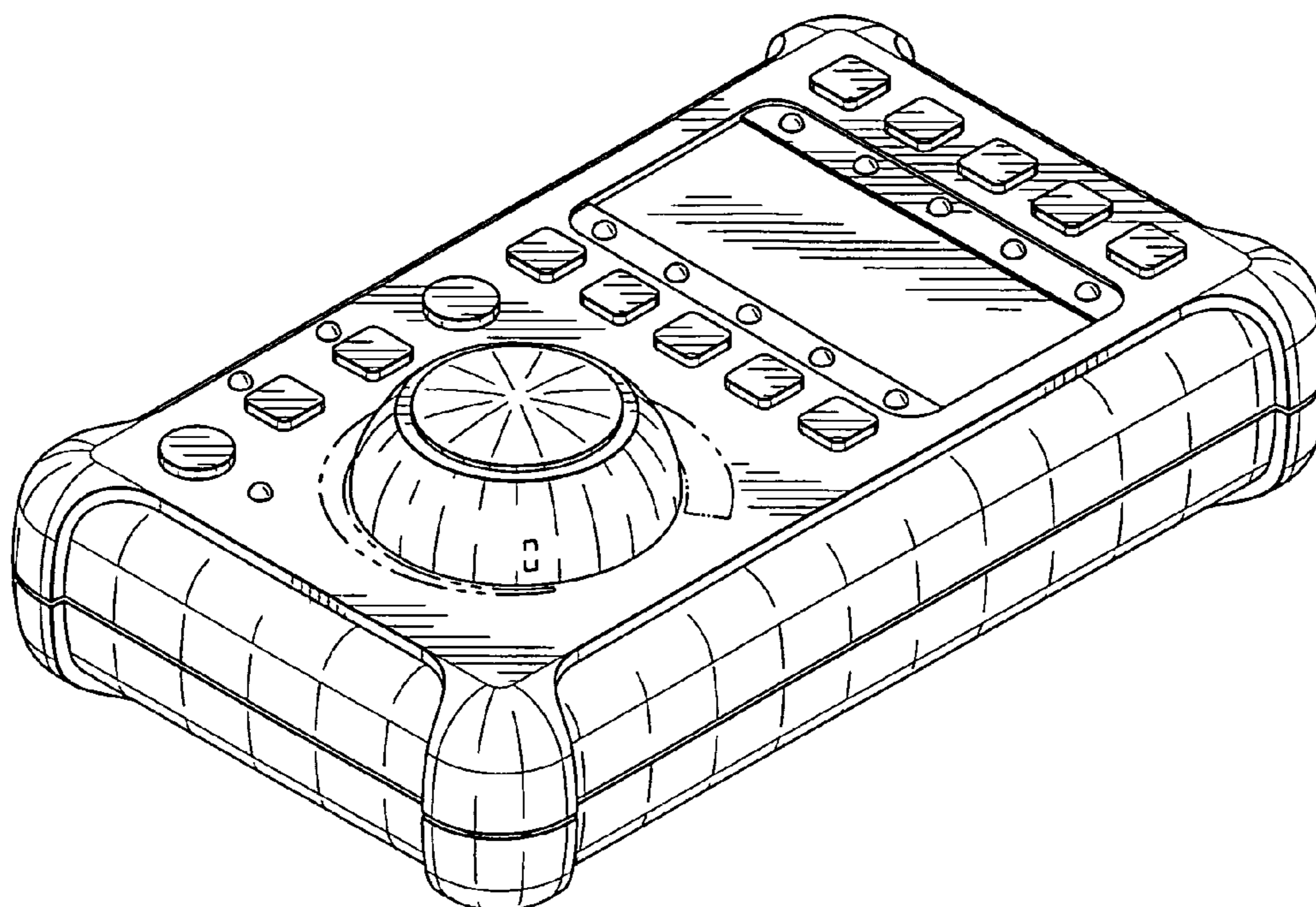


FIG. 1

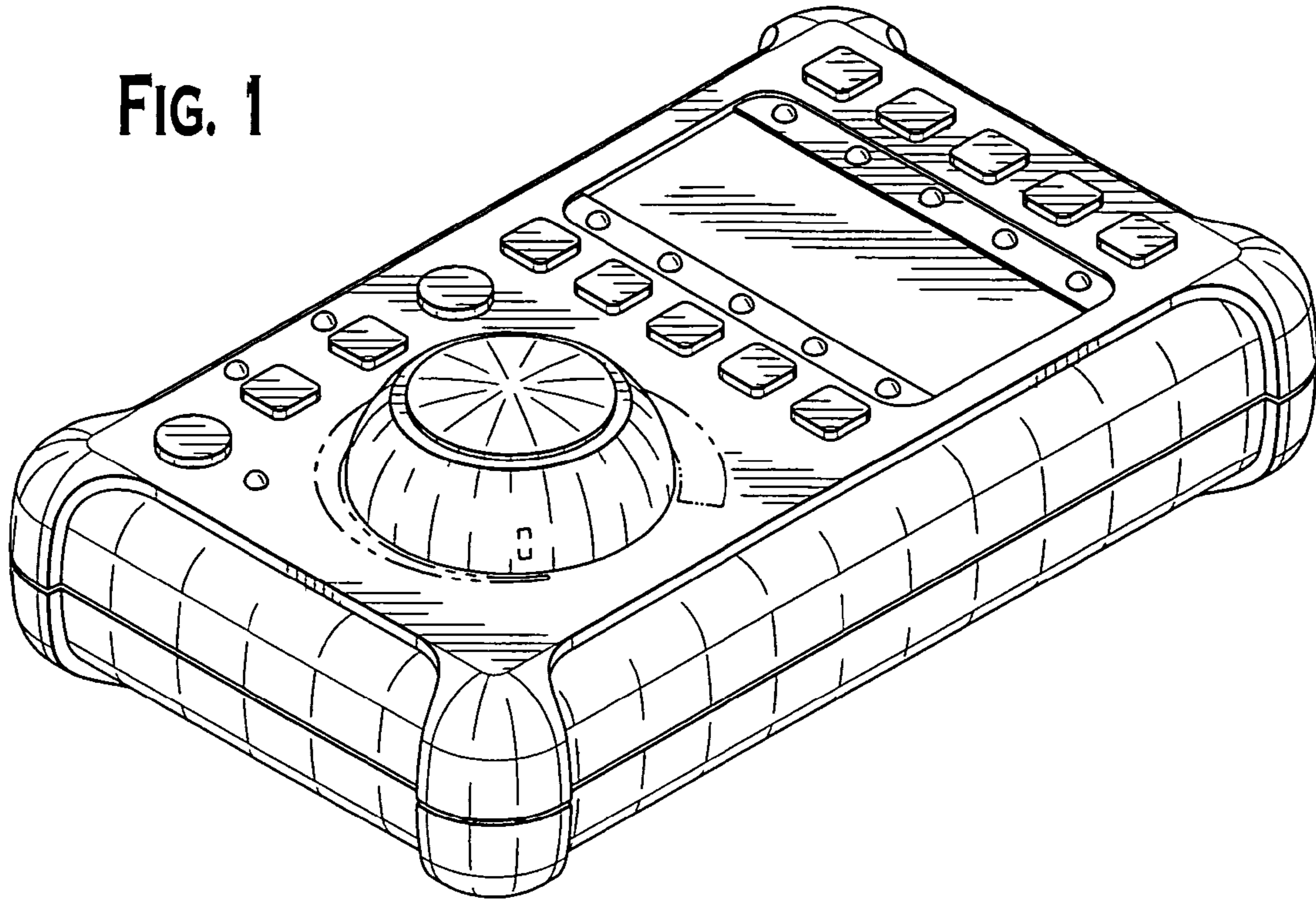


FIG. 2

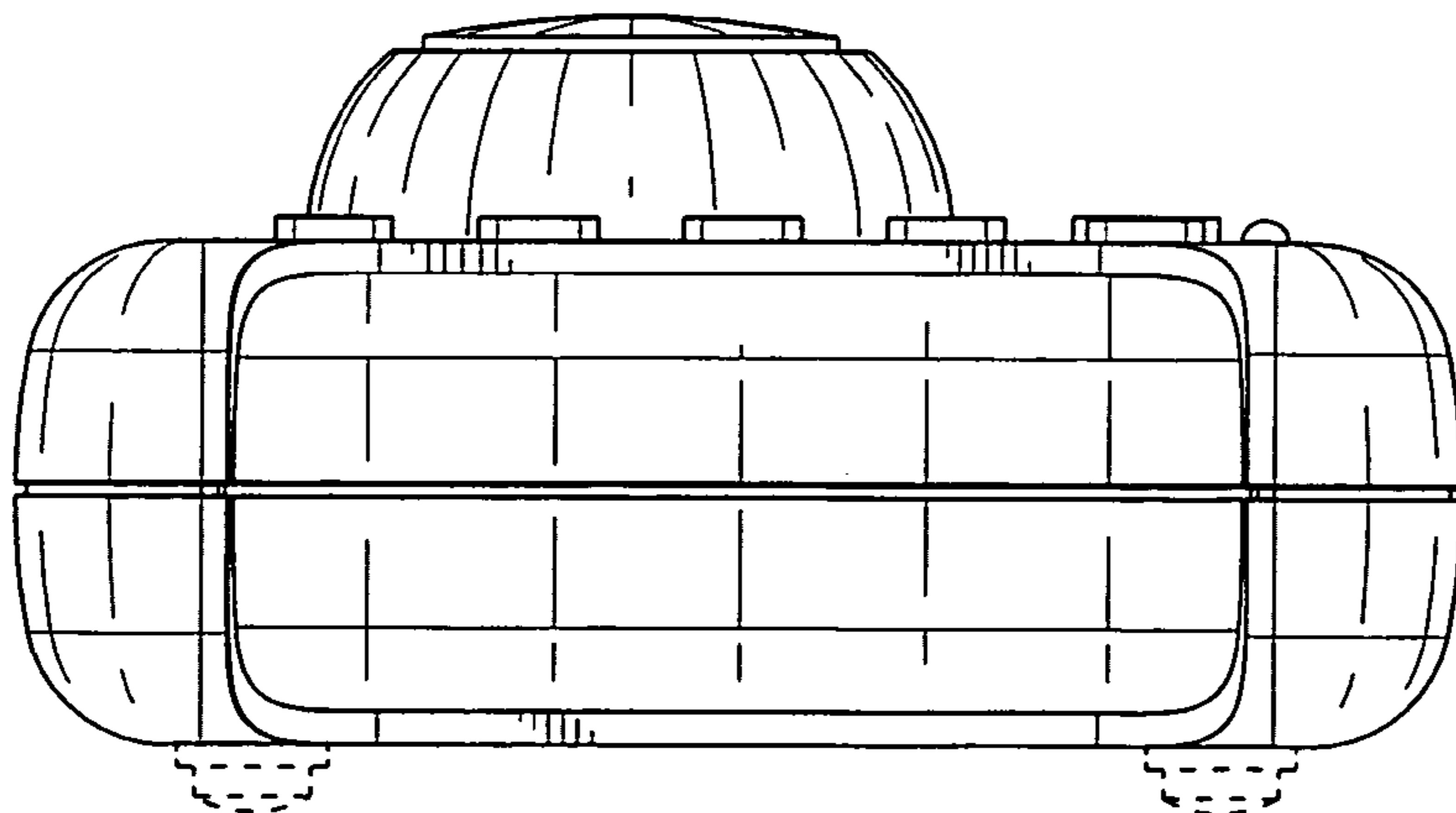
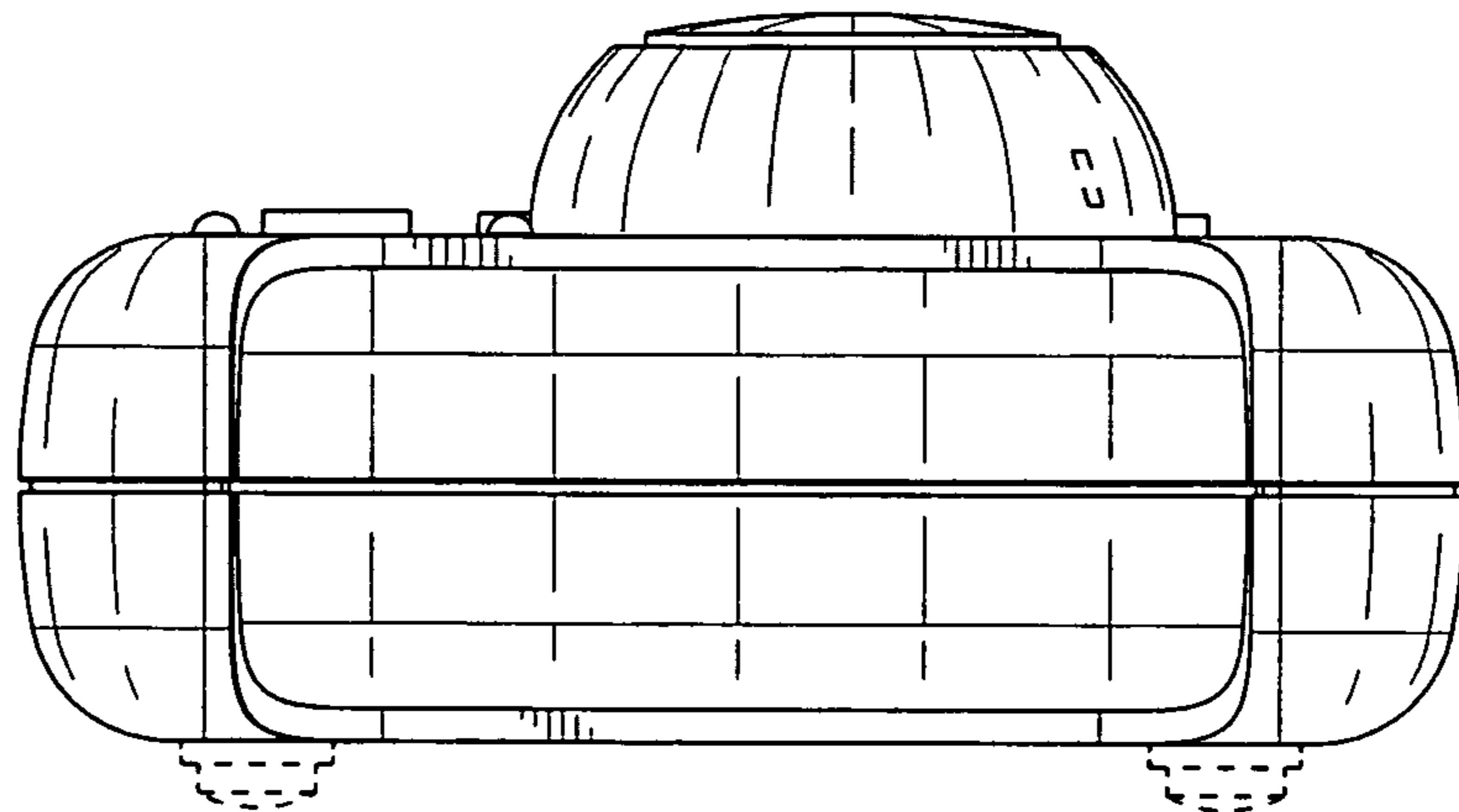


FIG. 3

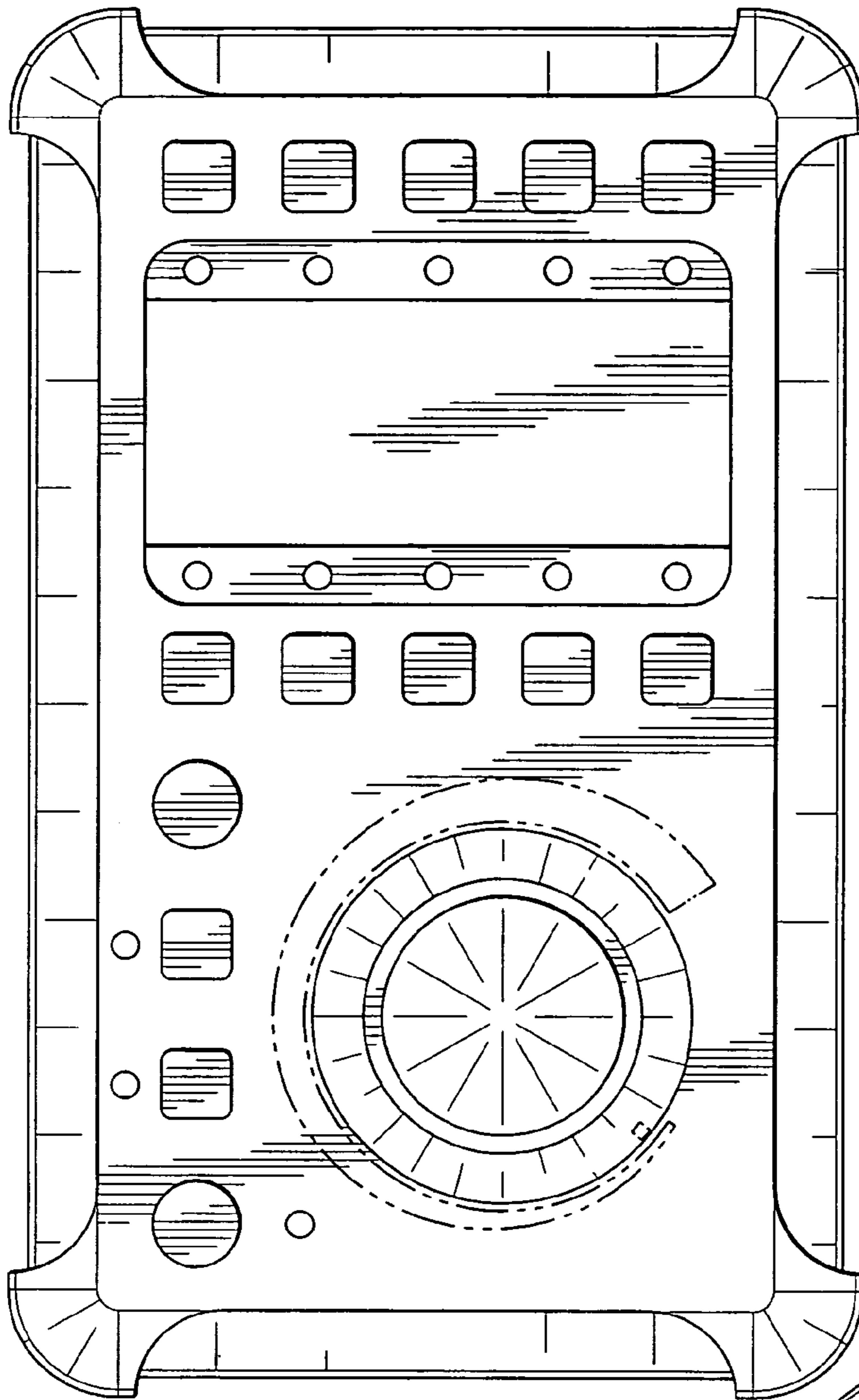


FIG. 4

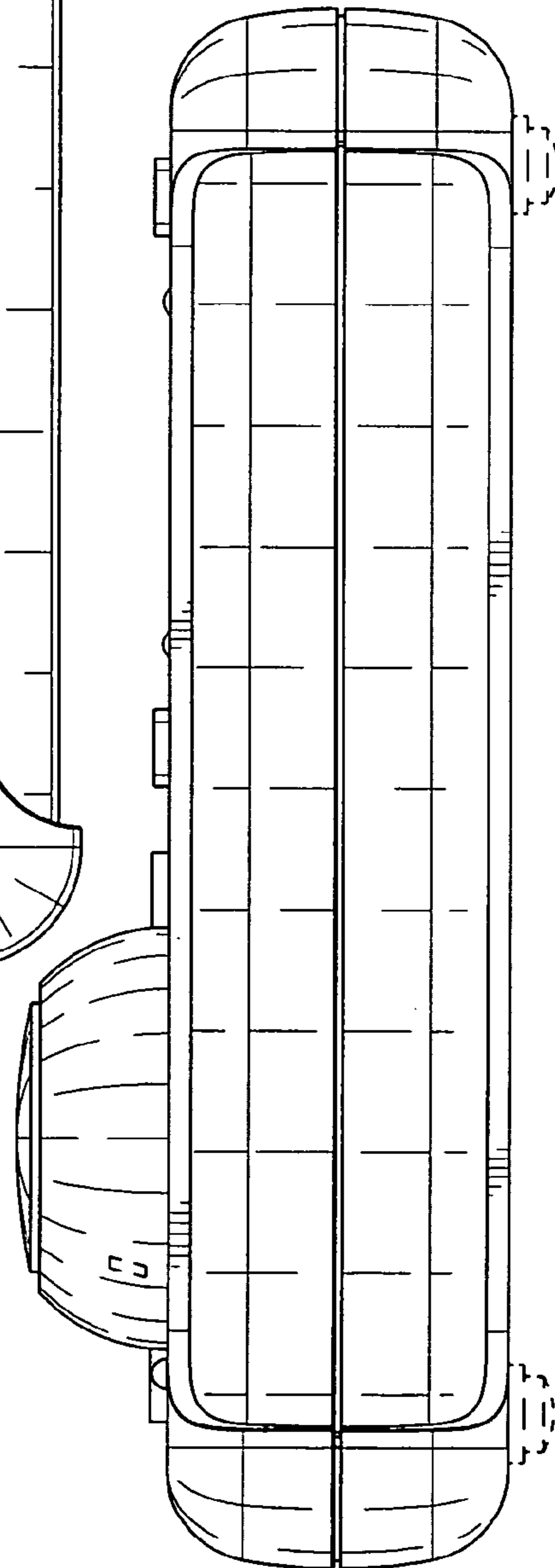


FIG. 5

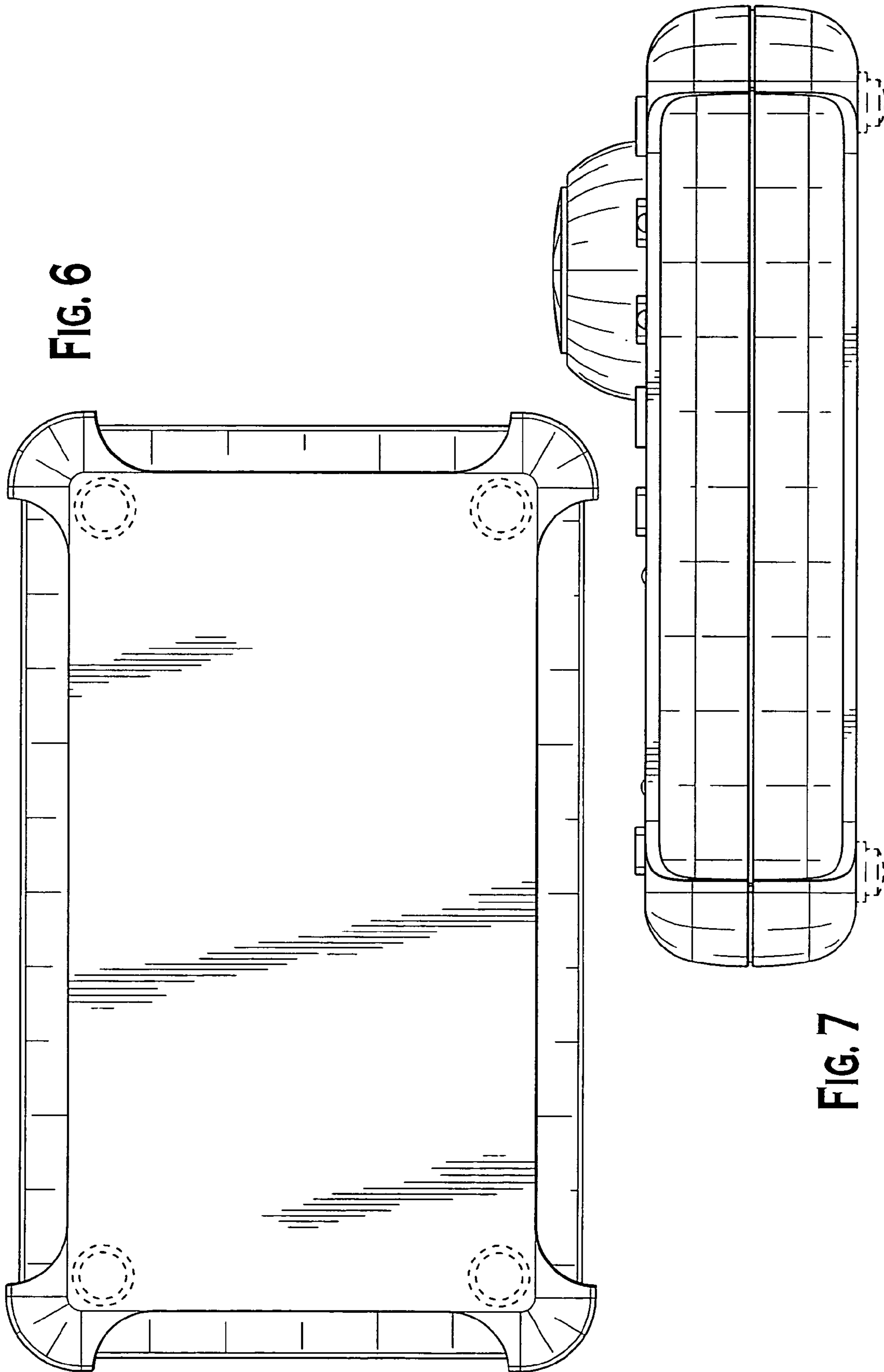


FIG. 6

FIG. 7