

US00D549180S

(12) **United States Design Patent**  
**Hayashi et al.**

(10) **Patent No.:** **US D549,180 S**

(45) **Date of Patent:** **\*\* Aug. 21, 2007**

(54) **ELECTRICAL CONNECTOR HOUSING**

(75) Inventors: **Toshiaki Hayashi**, Aichi (JP); **Atsushi Nishida**, Aichi (JP)

(73) Assignees: **Tyco Electronics AMP K.K.**, Kanagawa-Ken (JP); **Toyota Jidosha Kabushiki Kaisha**, Aichi-Ken (JP)

(\*\*) Term: **14 Years**

(21) Appl. No.: **29/221,305**

(22) Filed: **Jan. 13, 2005**

(30) **Foreign Application Priority Data**

Jul. 16, 2004 (JP) ..... 2004-021598

(51) **LOC (8) Cl.** ..... **13-03**

(52) **U.S. Cl.** ..... **D13/154; D13/133**

(58) **Field of Classification Search** ..... D13/133–134, D13/146–147, 154, 149, 184, 199; 439/353, 439/488, 537, 586, 680, 682, 685, 752  
See application file for complete search history.

(56) **References Cited**

**U.S. PATENT DOCUMENTS**

D265,189 S *	6/1982	Eriksson et al.	.....	D10/114
D317,289 S *	6/1991	Fukuda et al.	.....	D13/133
D317,290 S *	6/1991	Inaba et al.	.....	D13/146
D324,373 S *	3/1992	Kondo et al.	.....	D13/134
D387,730 S *	12/1997	McCarthy	.....	D13/133
6,354,867 B1 *	3/2002	Tachi et al.	.....	439/488
D519,455 S *	4/2006	Tufano et al.	.....	D13/134
7,081,024 B2 *	7/2006	Karadimas et al.	.....	439/680
2003/0148659 A1 *	8/2003	Walker et al.	.....	439/537

2003/0157825 A1\* 8/2003 Kane ..... 439/352  
2006/0205268 A1\* 9/2006 Hayashi et al. .... 439/488

\* cited by examiner

*Primary Examiner*—Daniel Bui

(74) *Attorney, Agent, or Firm*—Barley Snyder LLC

(57) **CLAIM**

The ornamental design for an electrical connector housing, as shown and described.

**DESCRIPTION**

FIG. 1 is a front elevation view of an electrical connector housing, showing our new design;

FIG. 2 is a back elevation view thereof;

FIG. 3 is a top plan view thereof;

FIG. 4 is a bottom plan view thereof;

FIG. 5 is a left side elevation view thereof;

FIG. 6 is a right side elevation view thereof;

FIG. 7 is a cross-sectional view taken along line 7—7 in FIG. 1;

FIG. 8 is a cross-sectional view taken along line 8—8 in FIG. 1;

FIG. 9 is a top, front and left side perspective view thereof; and,

FIG. 10 is a bottom, front and left side perspective view thereof.

The broken line showing of the environment is for illustrative purposes only and forms no part of the claimed design.

**1 Claim, 5 Drawing Sheets**

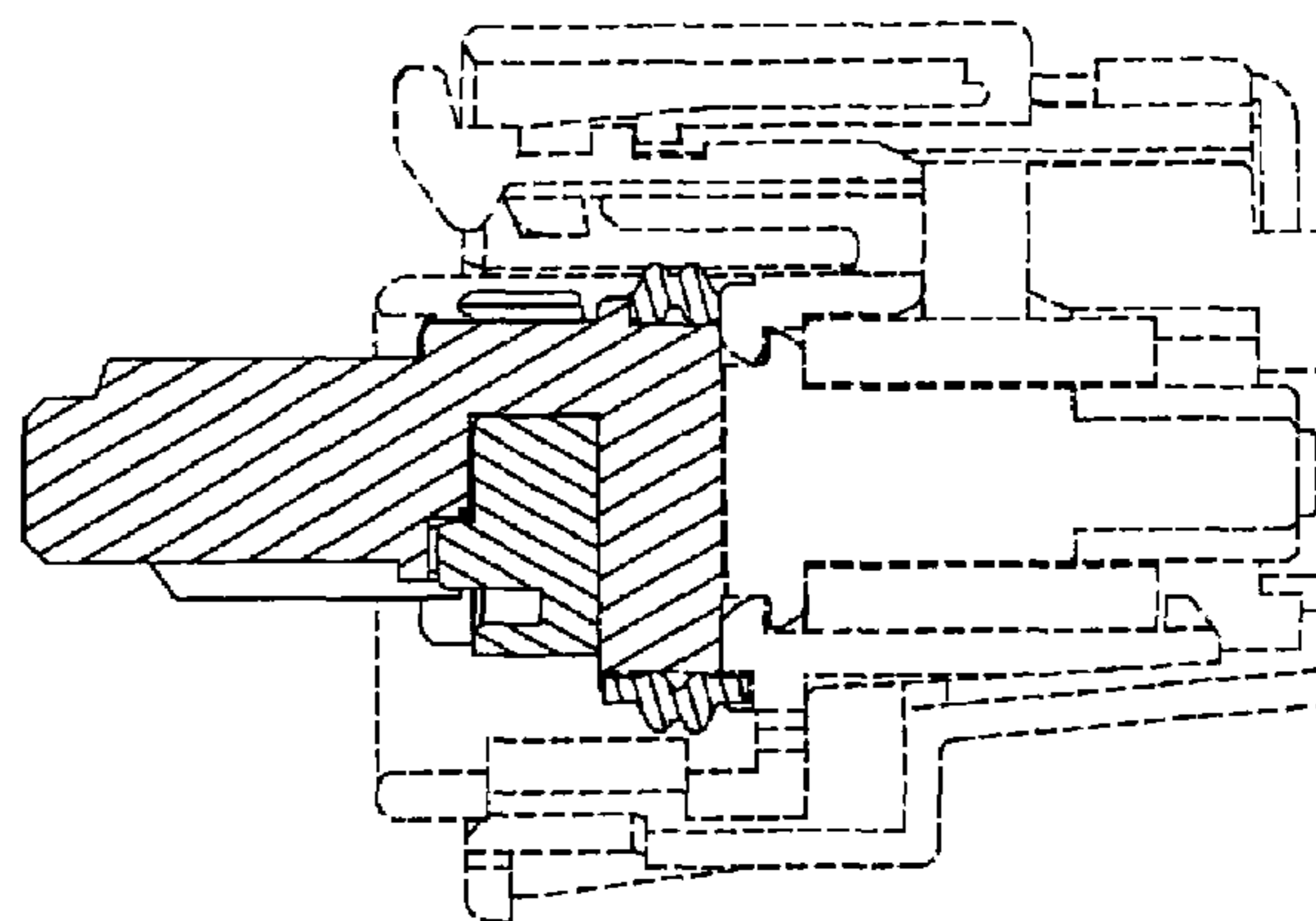
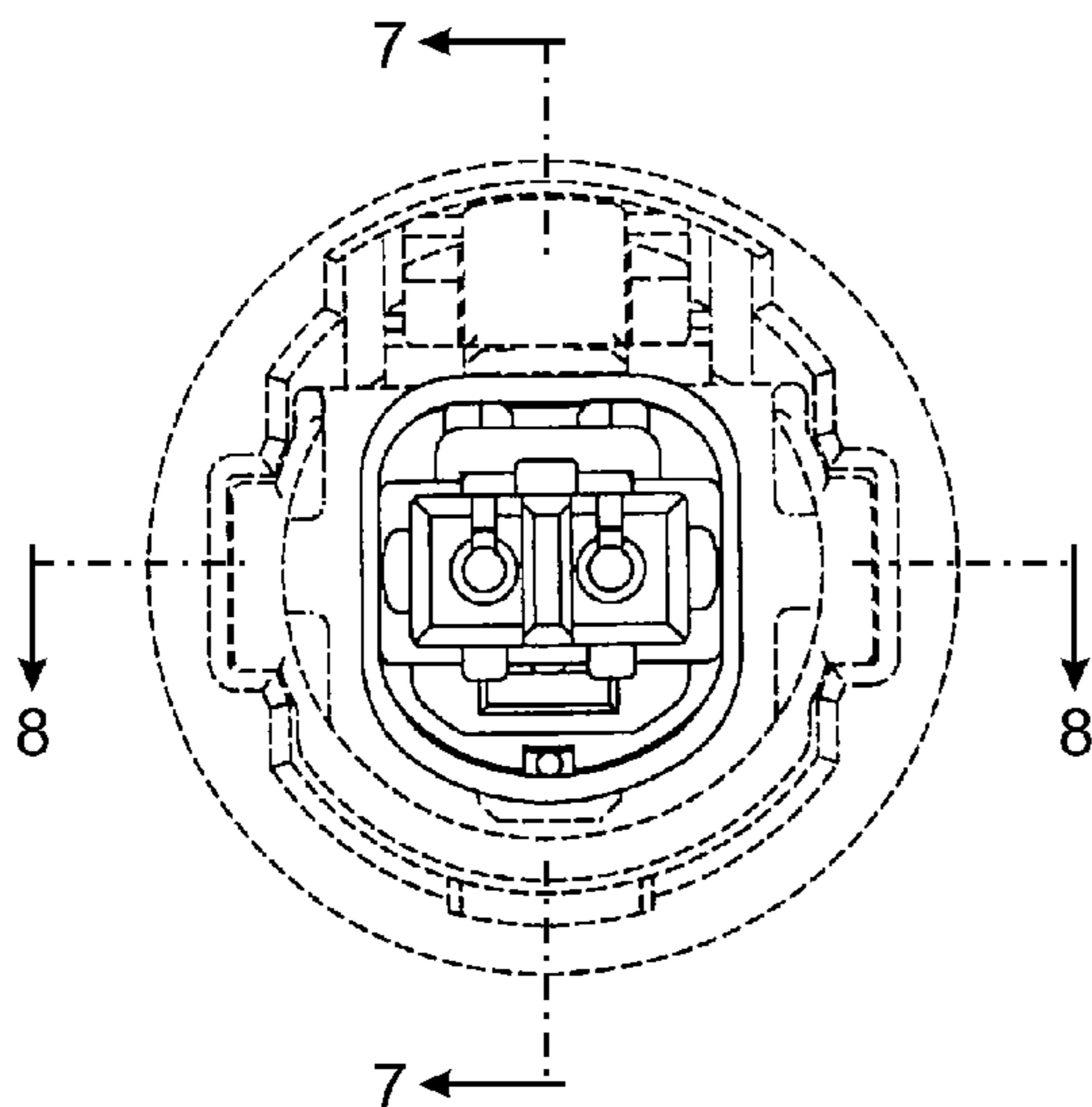


Figure 1

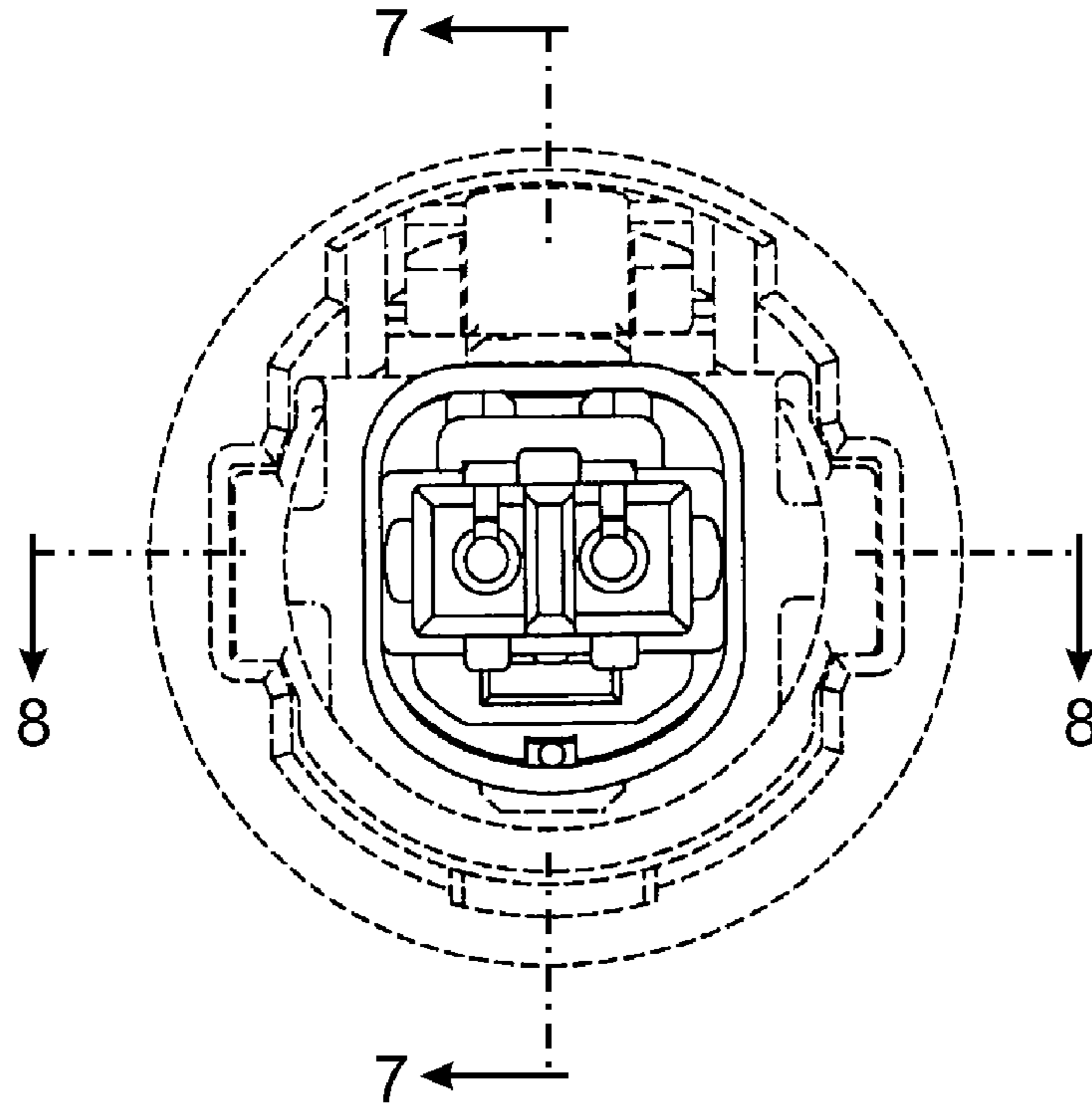


Figure 2

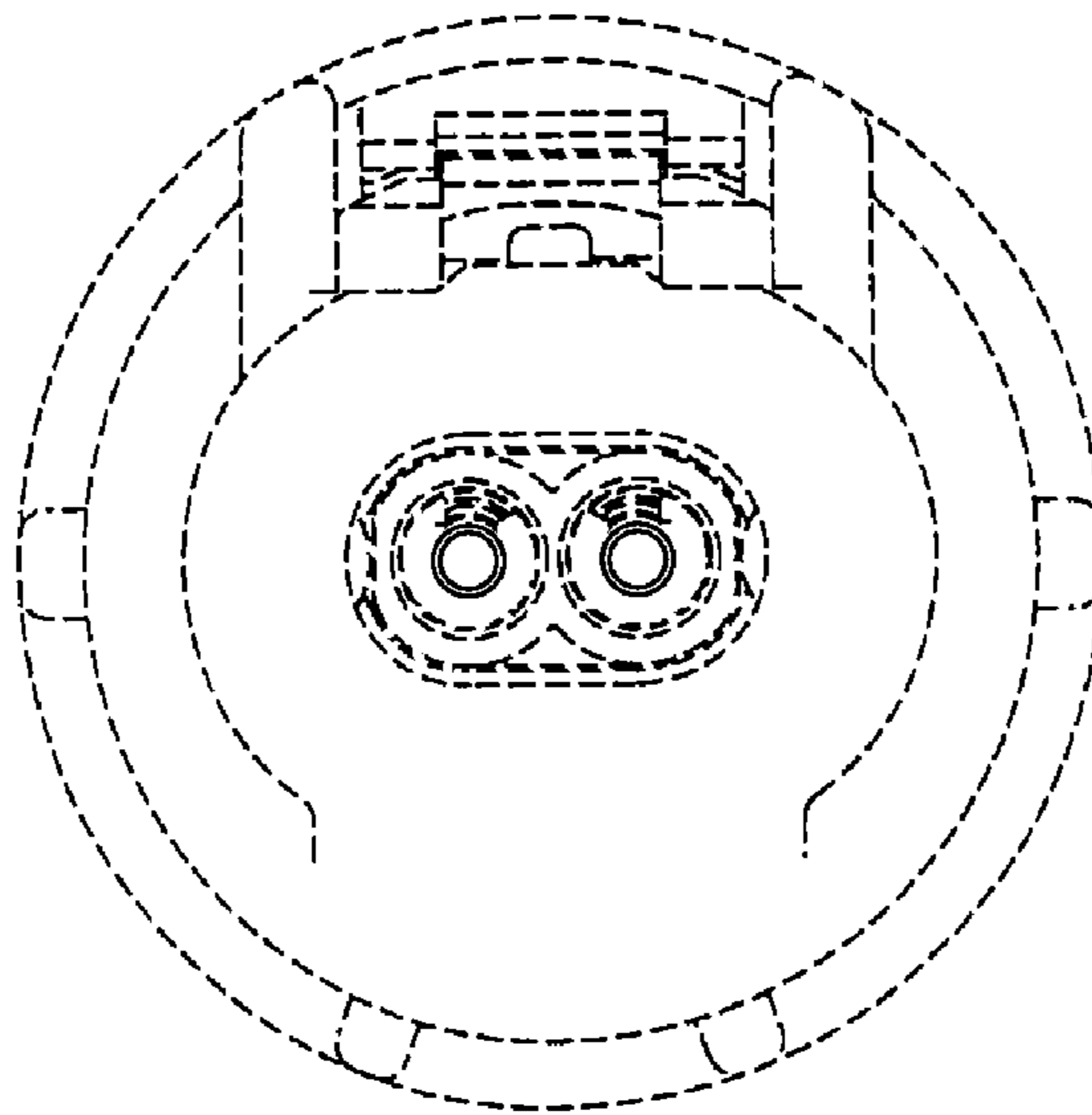


Figure 3

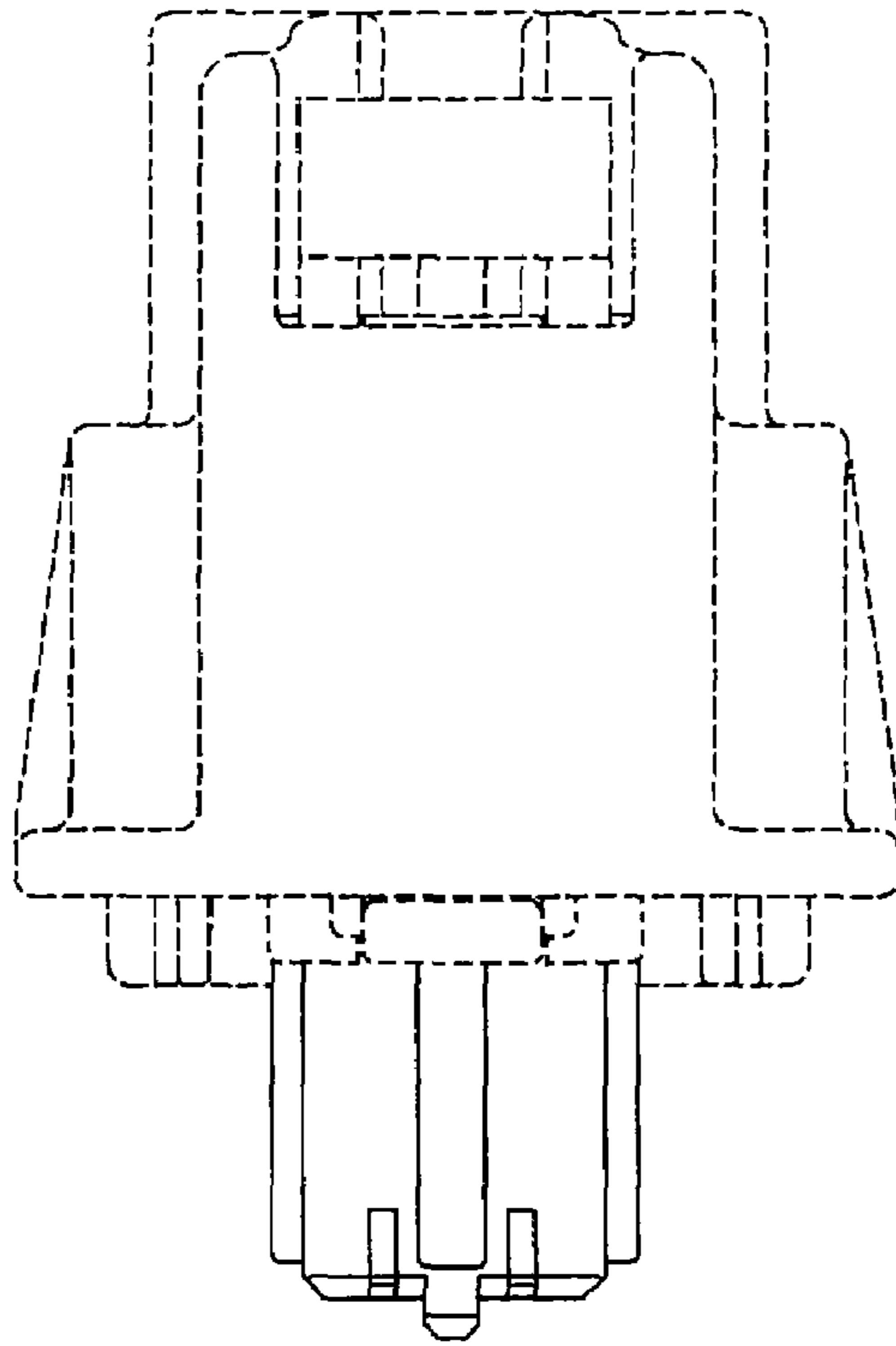


Figure 4

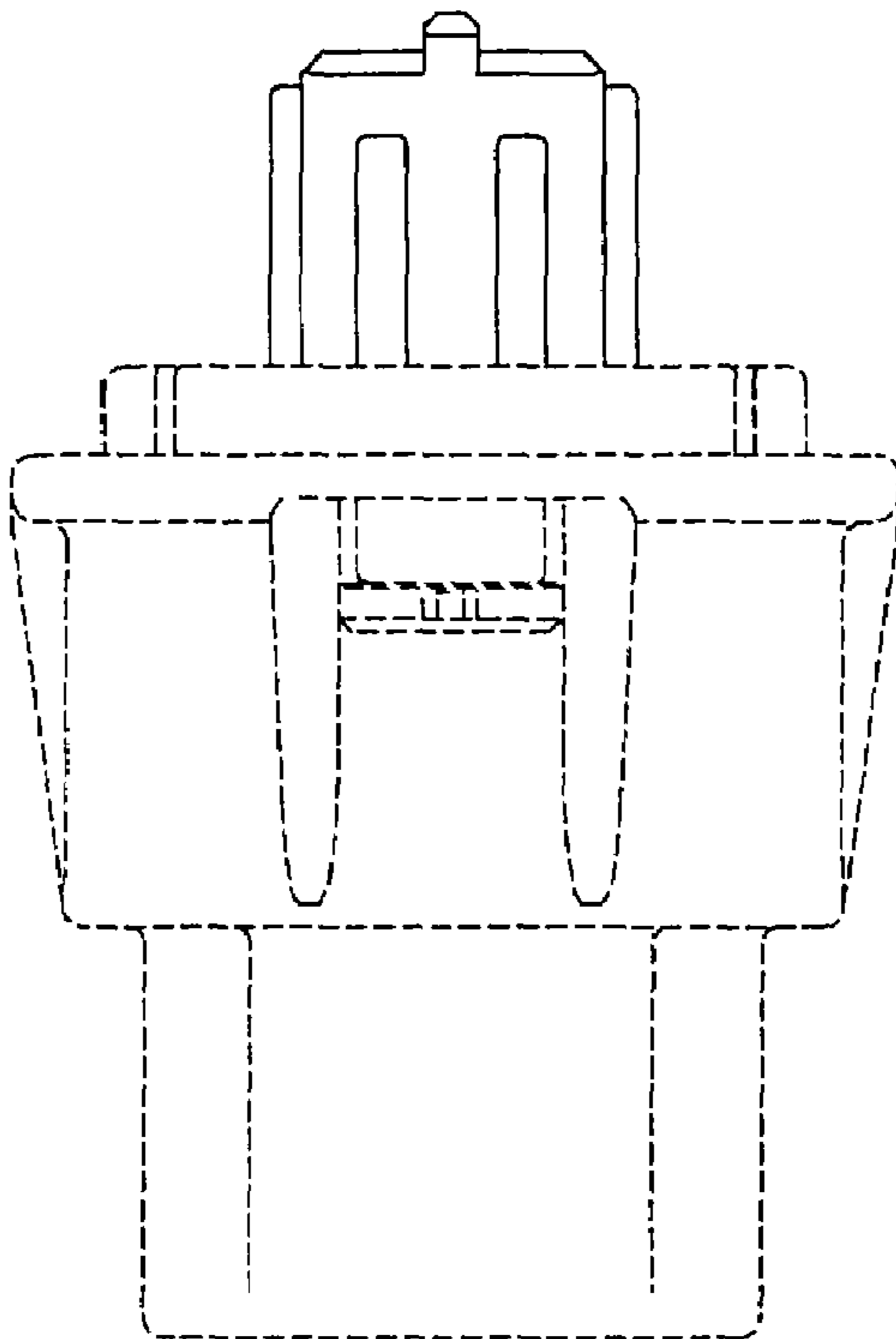


Figure 5

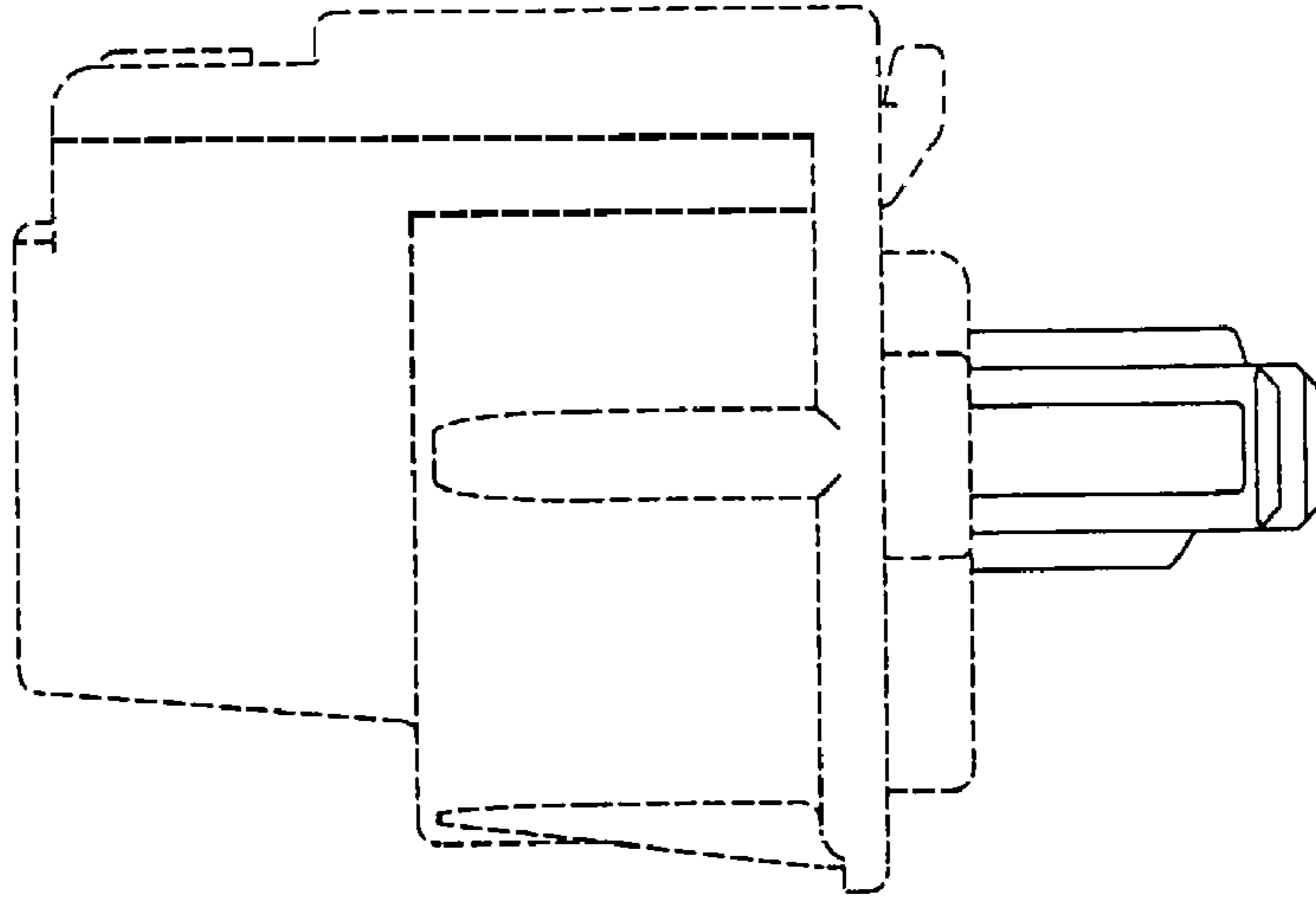


Figure 6

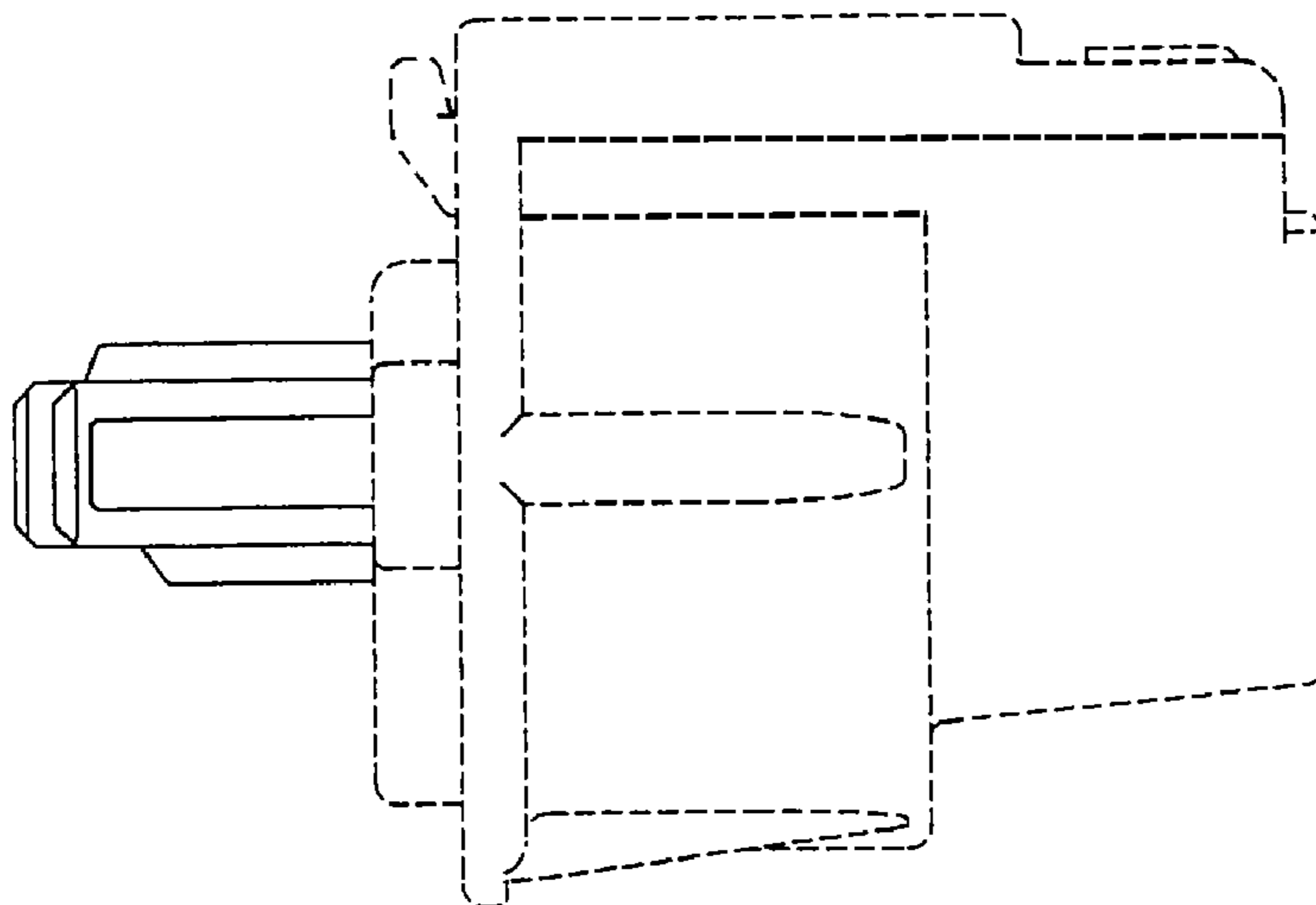


Figure 7

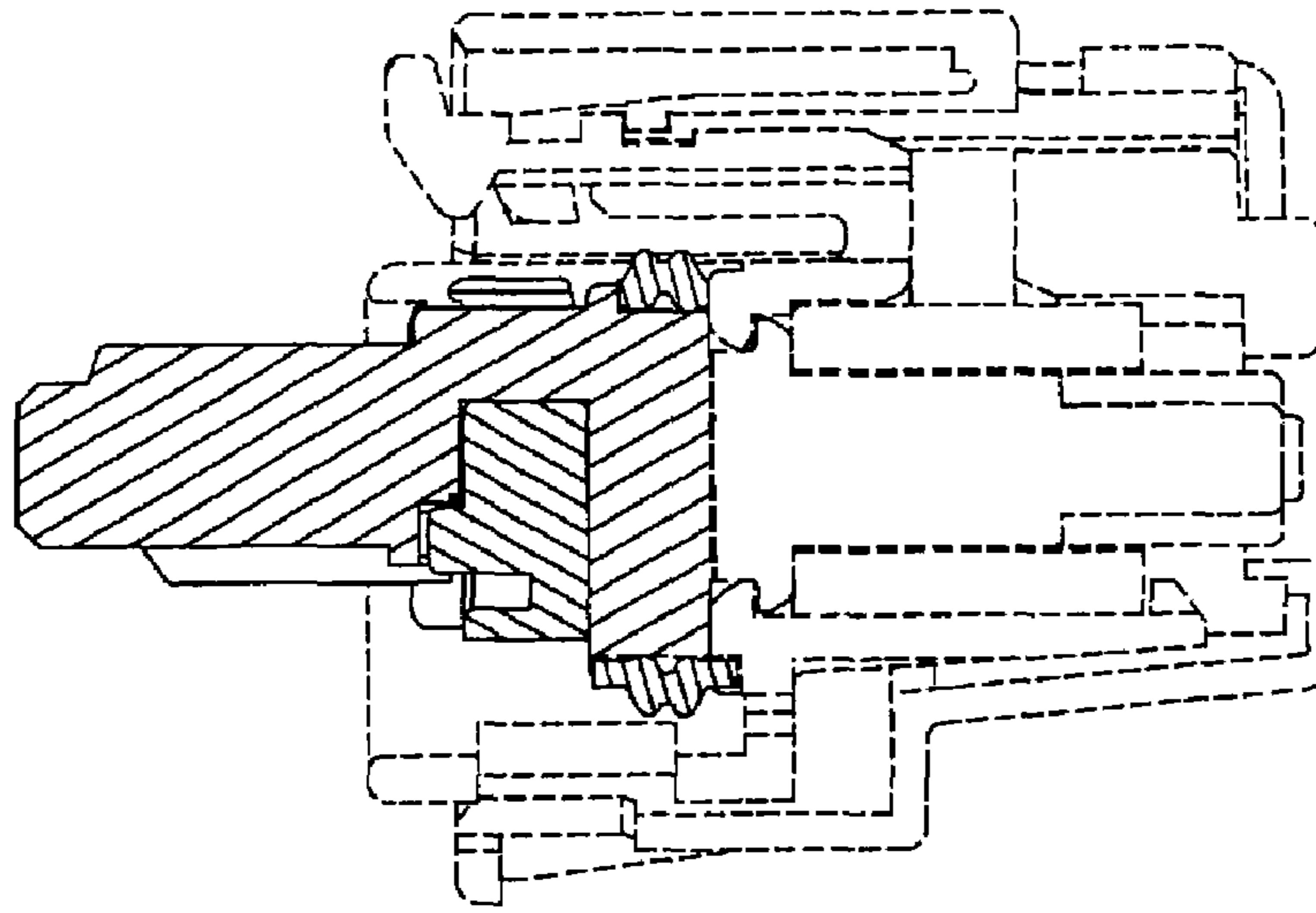


Figure 8

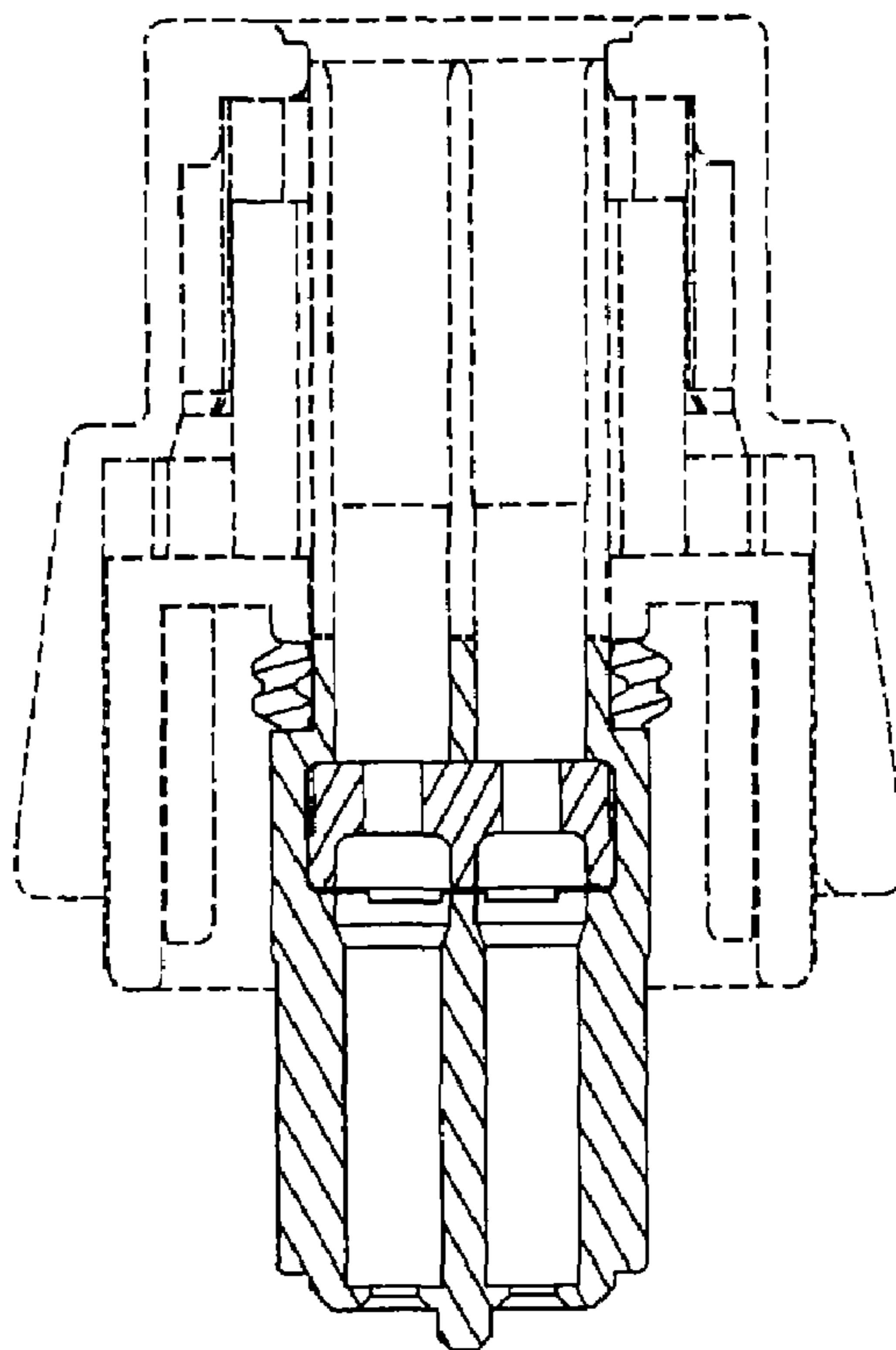


Figure 9

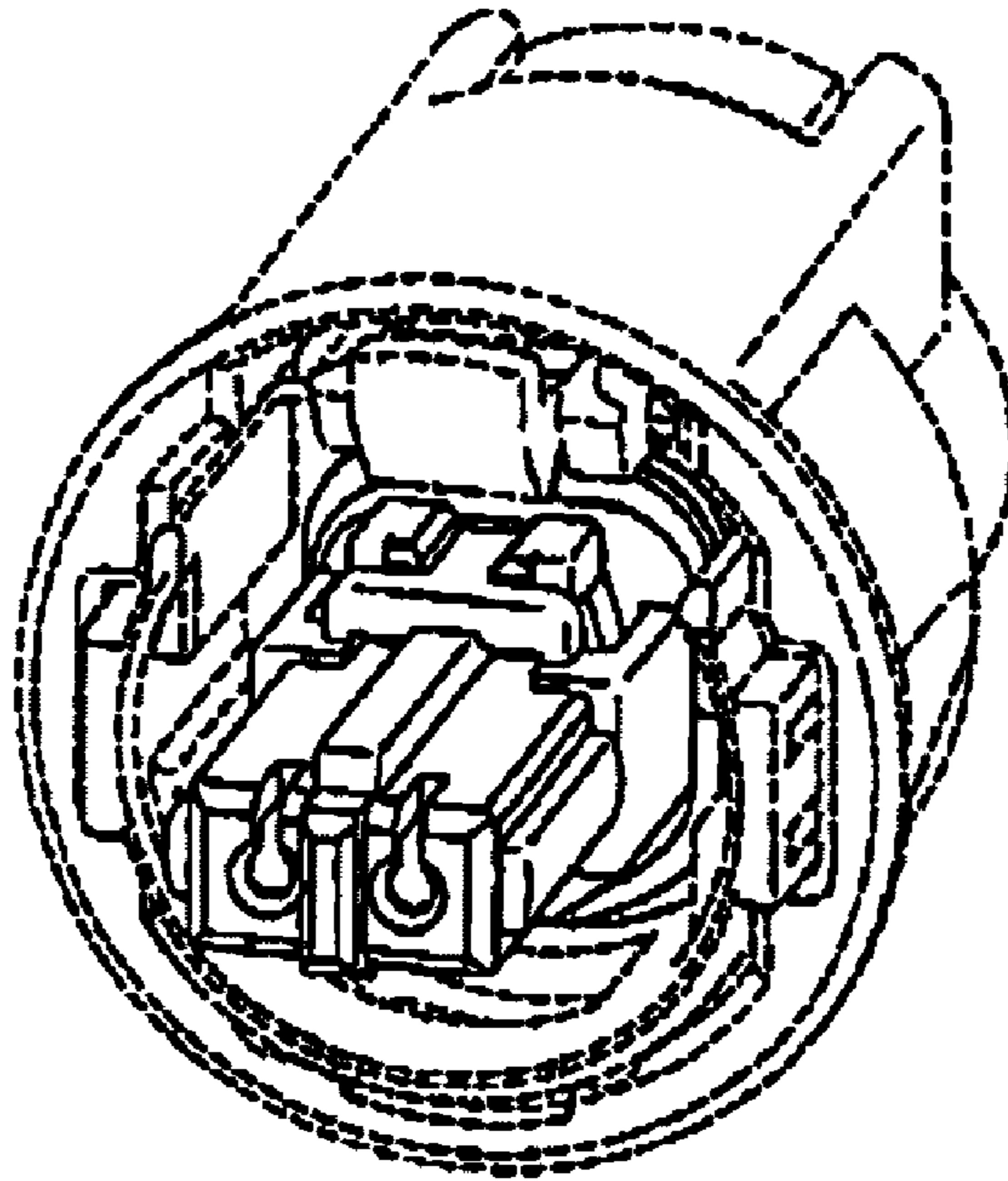


Figure 10

