



US00D549178S

(12) **United States Design Patent**
Amidon

(10) **Patent No.:** **US D549,178 S**

(45) **Date of Patent:** **** Aug. 21, 2007**

(54) **COAX CABLE CONNECTOR**

(76) Inventor: **Jeremy Amidon**, 3173 Pleasant Valley Rd., Marcellus, NY (US) 13108

(**) Term: **14 Years**

(21) Appl. No.: **29/264,984**

(22) Filed: **Aug. 23, 2006**

(51) **LOC (8) Cl.** **13-03**

(52) **U.S. Cl.** **D13/151**

(58) **Field of Classification Search** D13/133,
D13/151, 153-154, 156, 184, 199; 174/75 C;
439/447, 521, 523, 578, 583-585, 901
See application file for complete search history.

(56) **References Cited**

U.S. PATENT DOCUMENTS

5,310,359	A *	5/1994	Chadbourne et al.	439/462
D355,641	S *	2/1995	Down	D13/151
D366,862	S *	2/1996	Lee	D13/133
D400,171	S *	10/1998	Nimpoeno et al.	D13/133
D425,023	S *	5/2000	Awbrey	D13/133
D458,904	S	6/2002	Montena		
6,406,313	B1 *	6/2002	Victor	439/175

D495,661	S *	9/2004	Chawgo	D13/156
D504,113	S	4/2005	Montena		
D504,114	S	4/2005	Montena		
D505,390	S *	5/2005	Lee et al.	D13/133
D508,895	S	8/2005	Montena		
D509,478	S	9/2005	Montena		
D517,018	S *	3/2006	Montena	D13/151

* cited by examiner

Primary Examiner—Daniel Bui

(57) **CLAIM**

The ornamental design for a coax cable connector, as shown and described.

DESCRIPTION

FIG. 1 is a top and front perspective view of a coax cable connector, showing my new design;

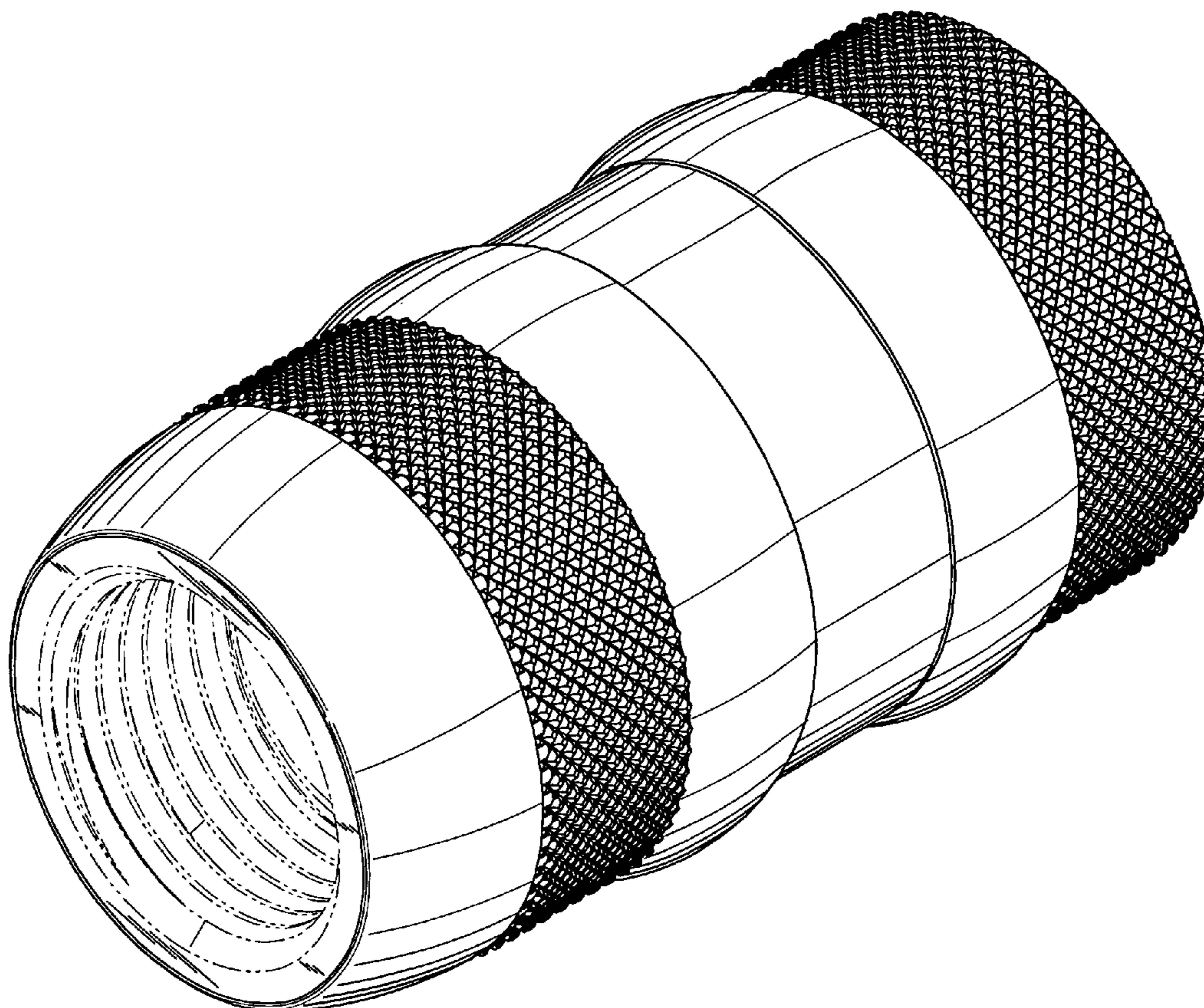
FIG. 2 is a side elevation view thereof;

FIG. 3 is a front elevation view thereof; and,

FIG. 4 is a rear elevation view thereof.

The broken lines in the drawings are for illustrative purposes only and form no part of the claimed design.

1 Claim, 4 Drawing Sheets



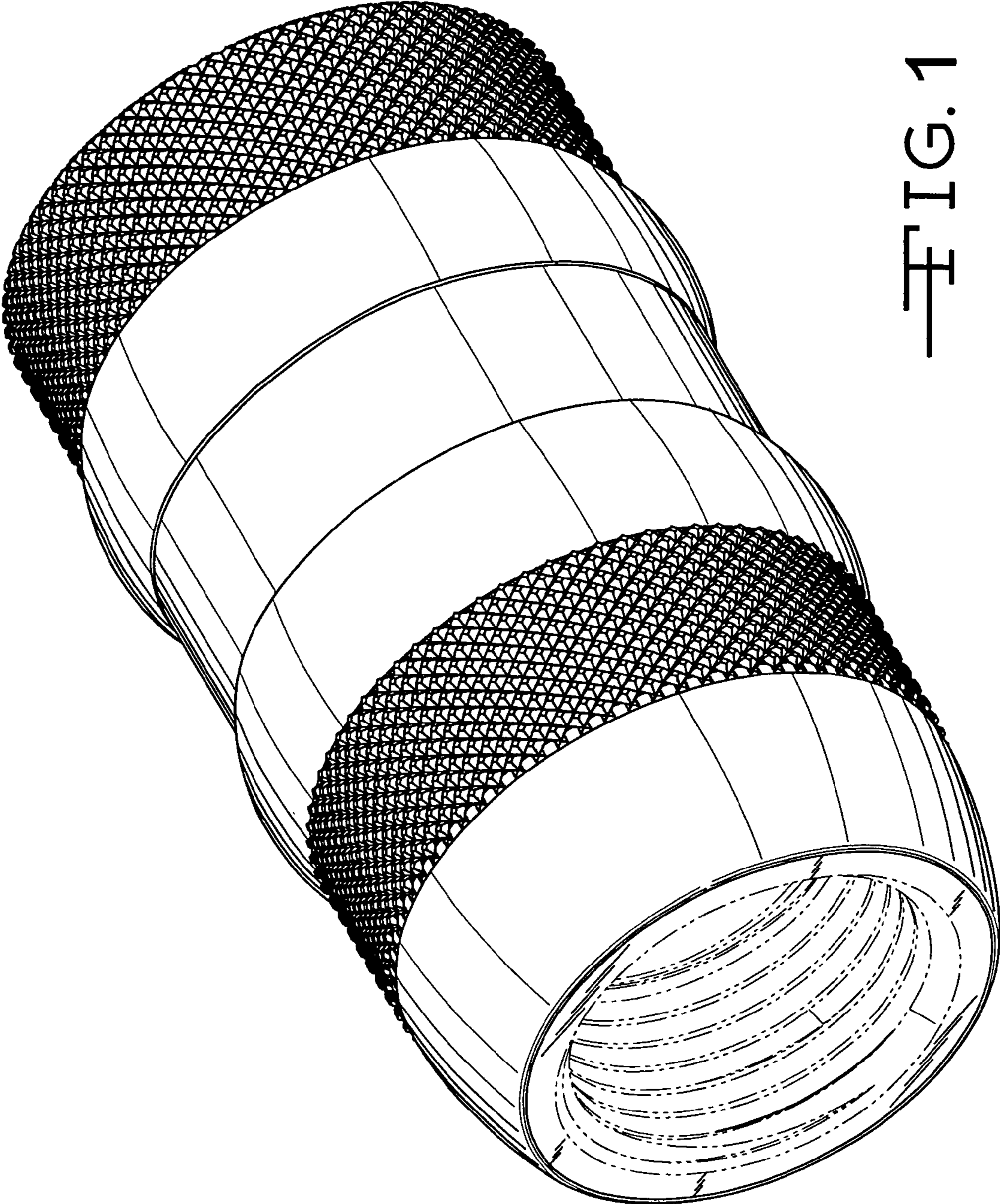


FIG. 1

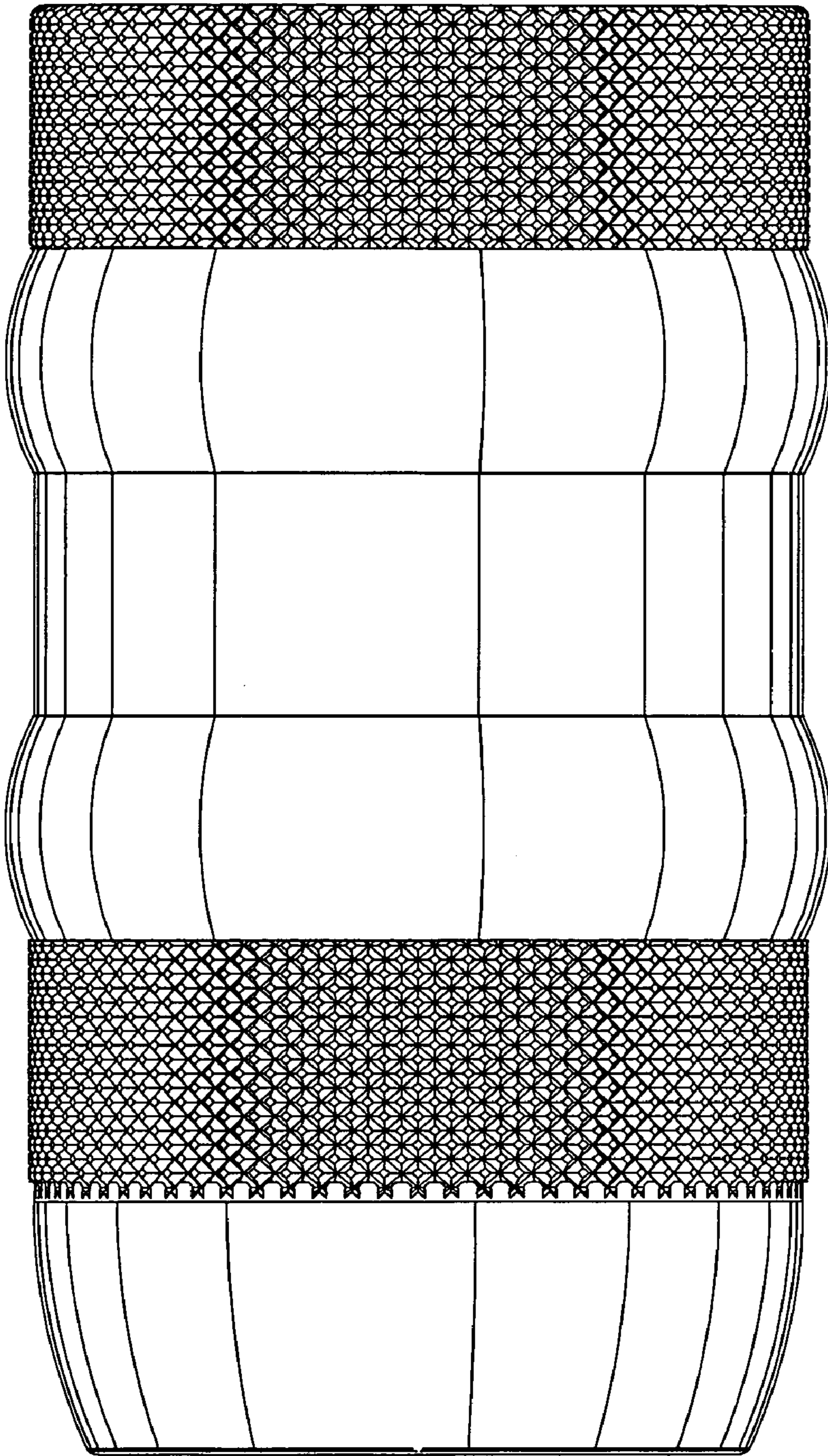
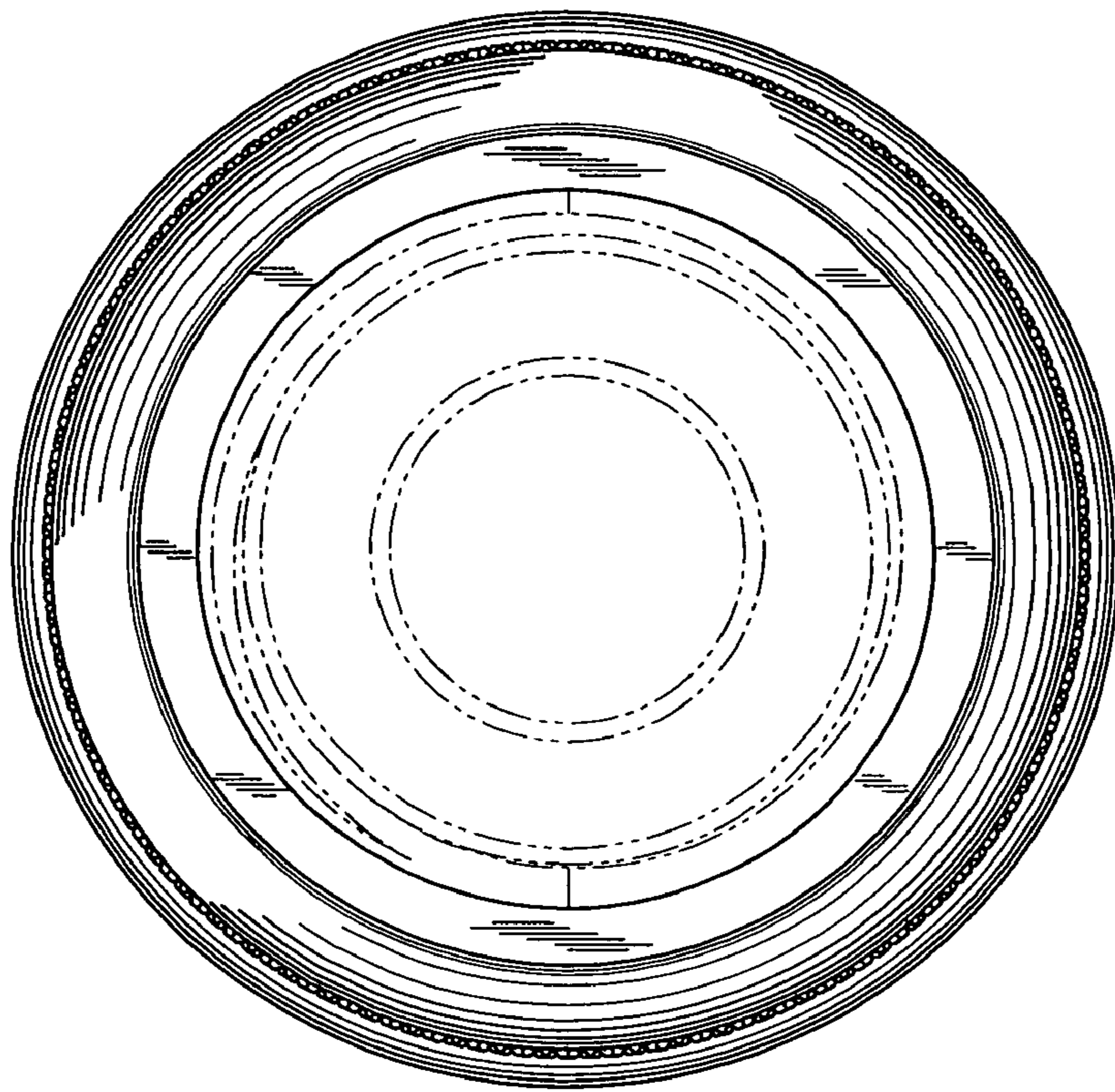
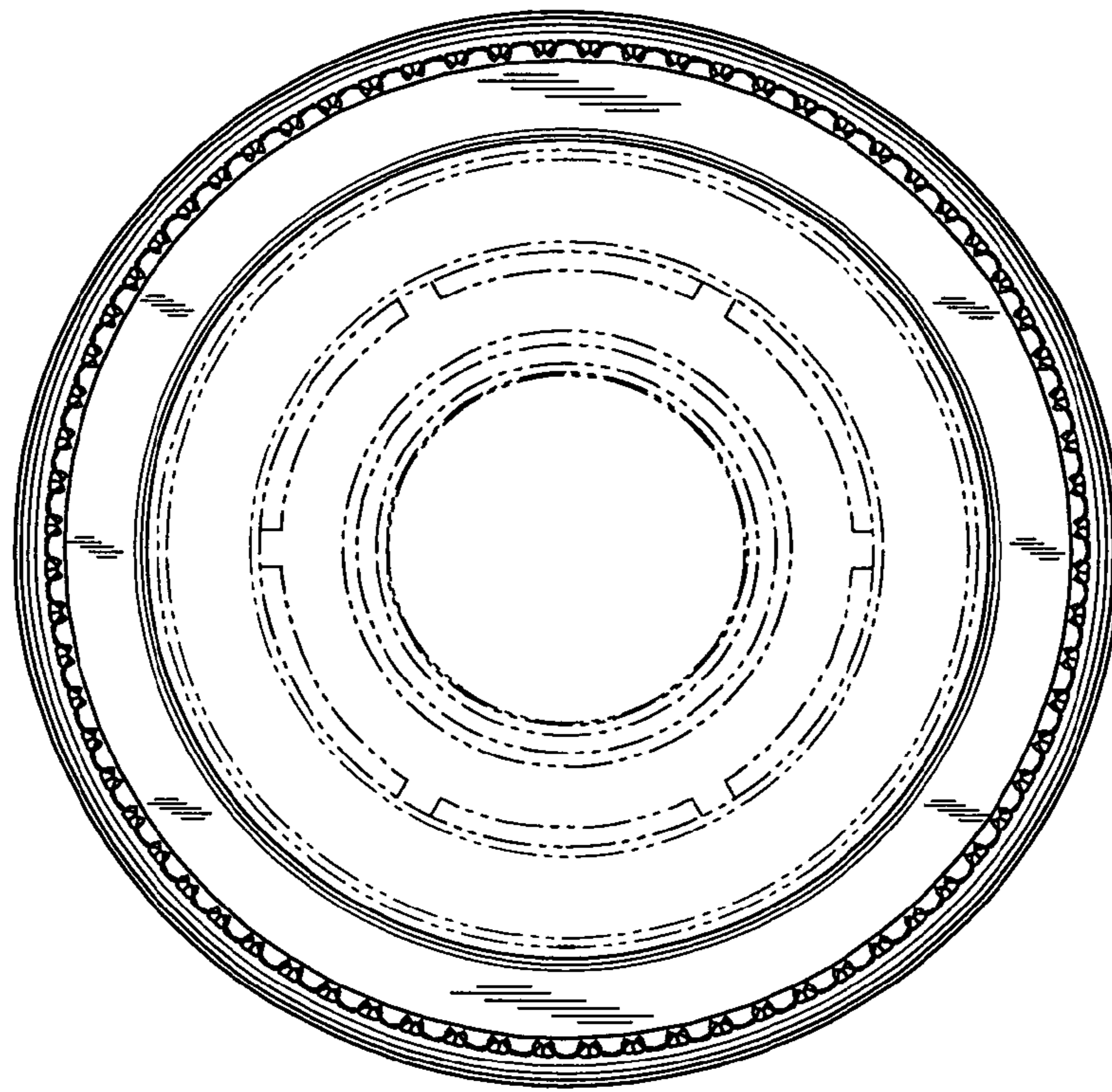


FIG. 2



—FIG. 3



—FIG. 4