

US00D549175S

(12) **United States Design Patent**
Slasinski

(10) **Patent No.:** **US D549,175 S**

(45) **Date of Patent:** **** *Aug. 21, 2007**

(54) **SHELF AND PLUG FOR CELL PHONE**

(76) Inventor: **Michael F. Slasinski**, 7201 Danny St.,
Saginaw, MI (US) 48609

(*) Notice: This patent is subject to a terminal disclaimer.

(**) Term: **14 Years**

(21) Appl. No.: **29/229,811**

(22) Filed: **May 12, 2005**

(51) **LOC (8) Cl.** **13-03**

(52) **U.S. Cl.** **D13/137.1**

(58) **Field of Classification Search** .. D13/137.1-137.4,
D13/138.1, 138.2, 139.1, 139.6-139.8, 133,
D13/154, 156; 439/171-172, 140, 160-164,
439/135-138, 446, 131, 606, 105-106, 11,
439/13, 31, 650-655, 628, 476.1, 478, 480,
439/483-484, 696, 692, 645-646; 174/53-58;
337/197-198

See application file for complete search history.

(56) **References Cited**

U.S. PATENT DOCUMENTS

- 2,673,969 A * 3/1954 Pfister 439/653
- 3,579,175 A * 5/1971 Shroyer 439/651
- D375,080 S * 10/1996 Sandor et al. D13/138.2
- D375,292 S * 11/1996 D'Amato D13/137.1

- D376,129 S * 12/1996 Muller et al. D13/137.1
- D378,586 S * 3/1997 Hedrick D13/138.1
- 6,220,897 B1 * 4/2001 Maxwell 439/652
- 6,302,717 B1 * 10/2001 Cheung 439/172
- D462,056 S * 8/2002 Chung D13/137.1
- D474,744 S * 5/2003 Wu D13/137.1
- D495,657 S * 9/2004 Lee D13/137.2
- D508,025 S * 8/2005 Dirks D13/154

* cited by examiner

Primary Examiner—M. H. Tung

Assistant Examiner—Rosemary K. Tarcza

(74) *Attorney, Agent, or Firm*—Brooks Kushman P.C.

(57) **CLAIM**

The ornamental design for a shelf and plug for cell phone, as shown and described.

DESCRIPTION

FIG. 1 is a front perspective view of my shelf and plug for cell phone;

FIG. 2 is a perspective view from the left-hand side of the shelf and plug for cell phone;

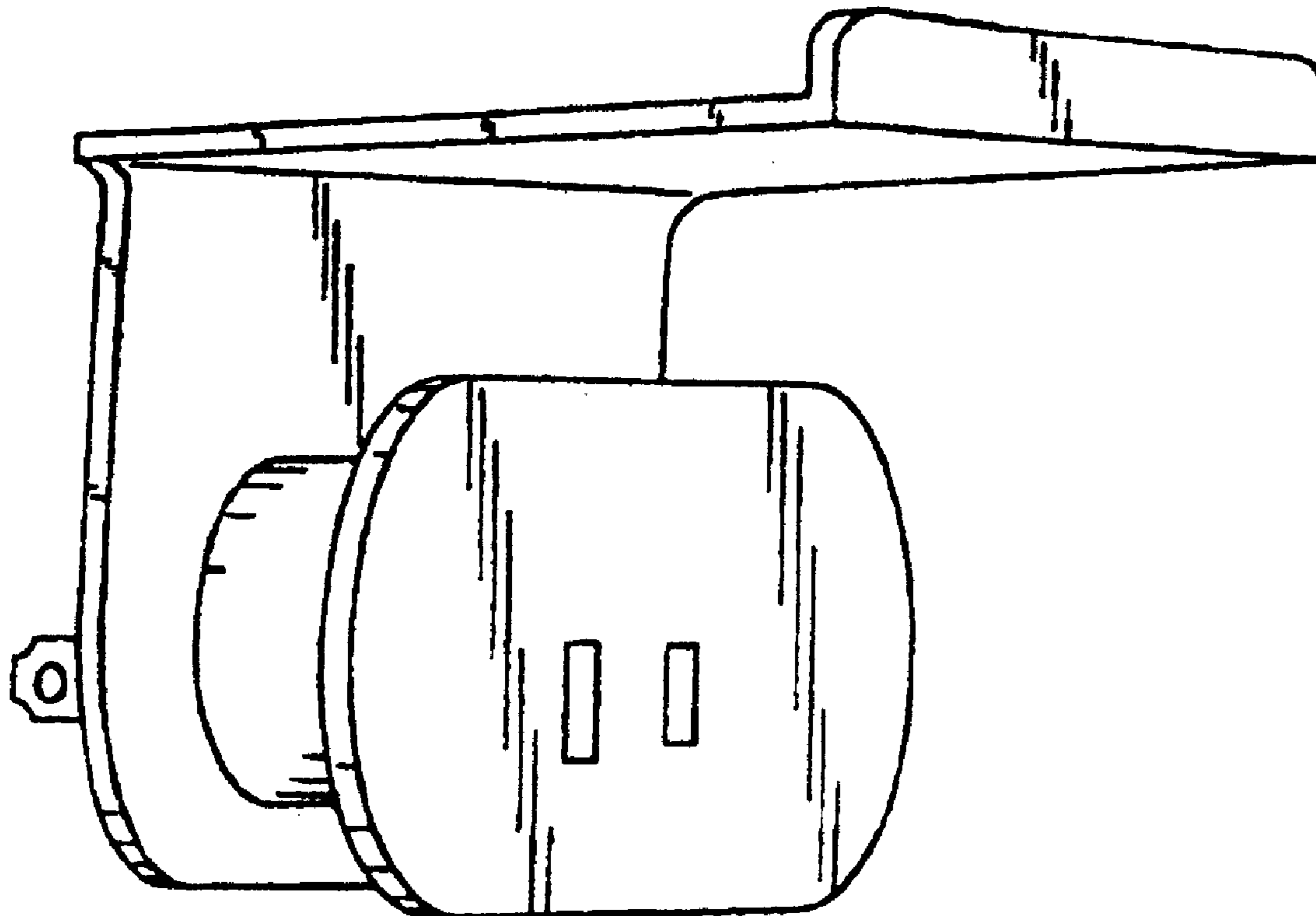
FIG. 3 is a rear view of my shelf and plug for cell phone;

FIG. 4 is a right-hand side view of my shelf and plug for cell phone; the left-hand side being simply the reverse thereof;

FIG. 5 is a top view of my shelf and plug for cell phone; and,

FIG. 6 is a bottom view of my shelf and plug for cell phone.

1 Claim, 2 Drawing Sheets



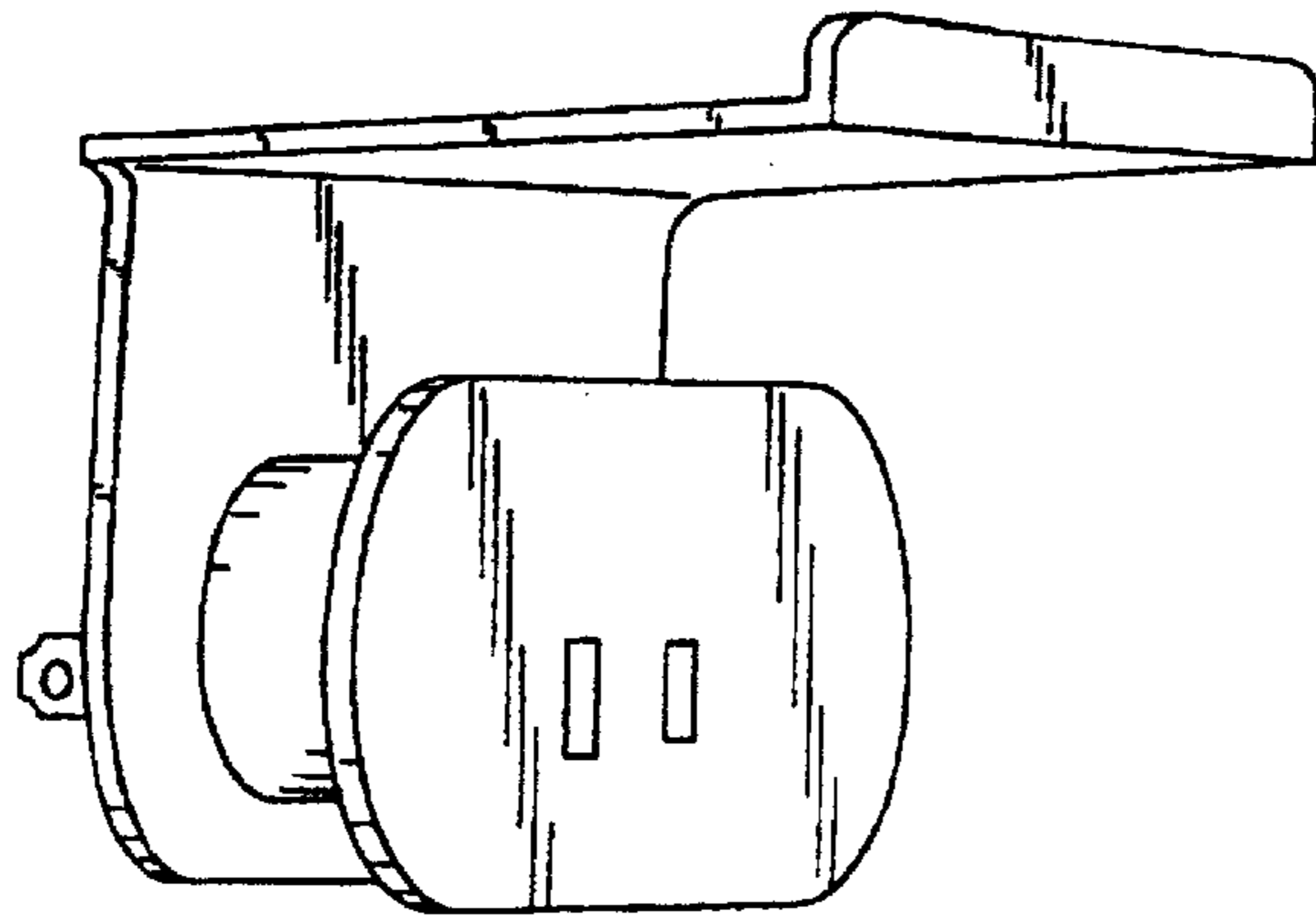


FIG. 1

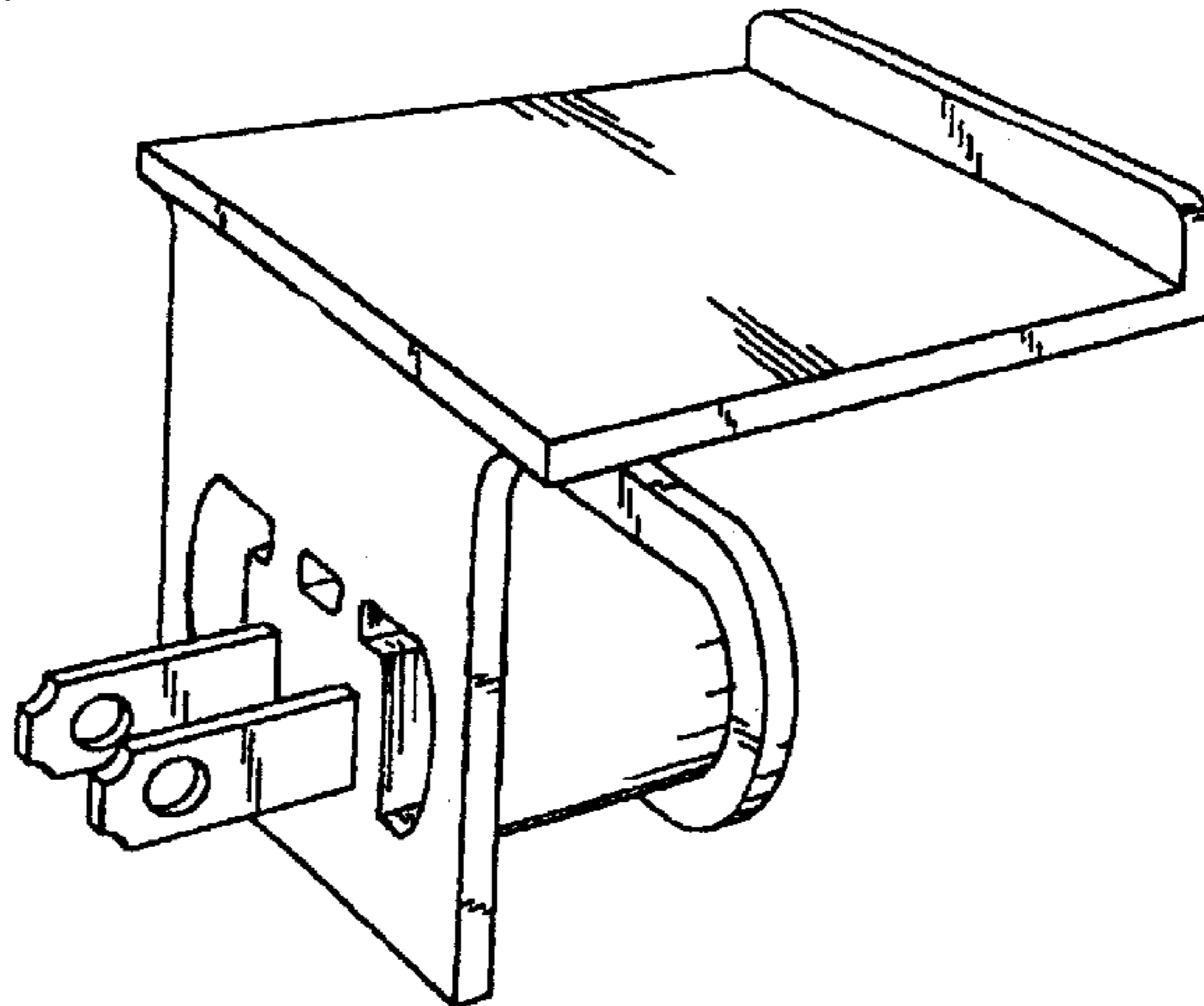


FIG. 2

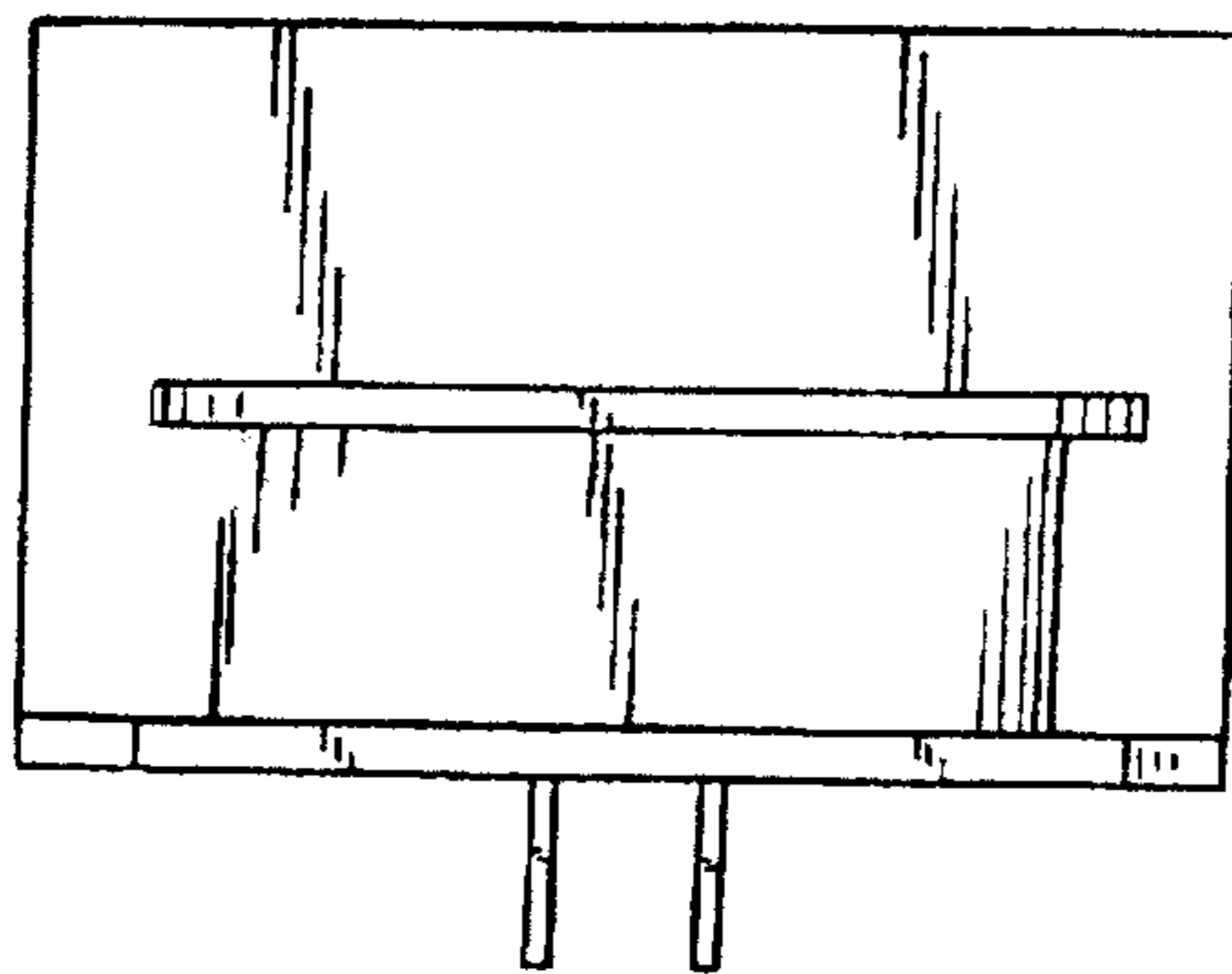


FIG. 6

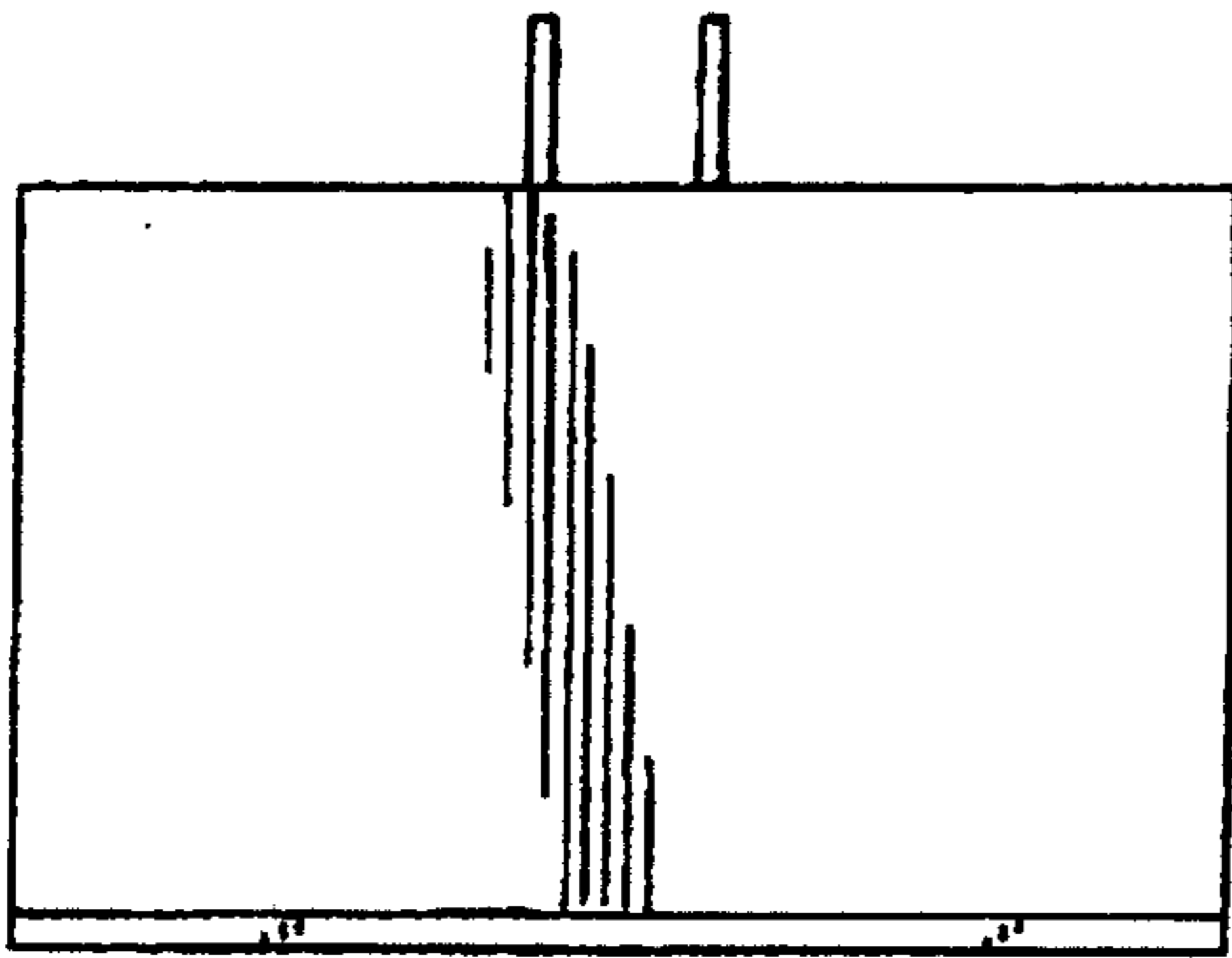


FIG. 5

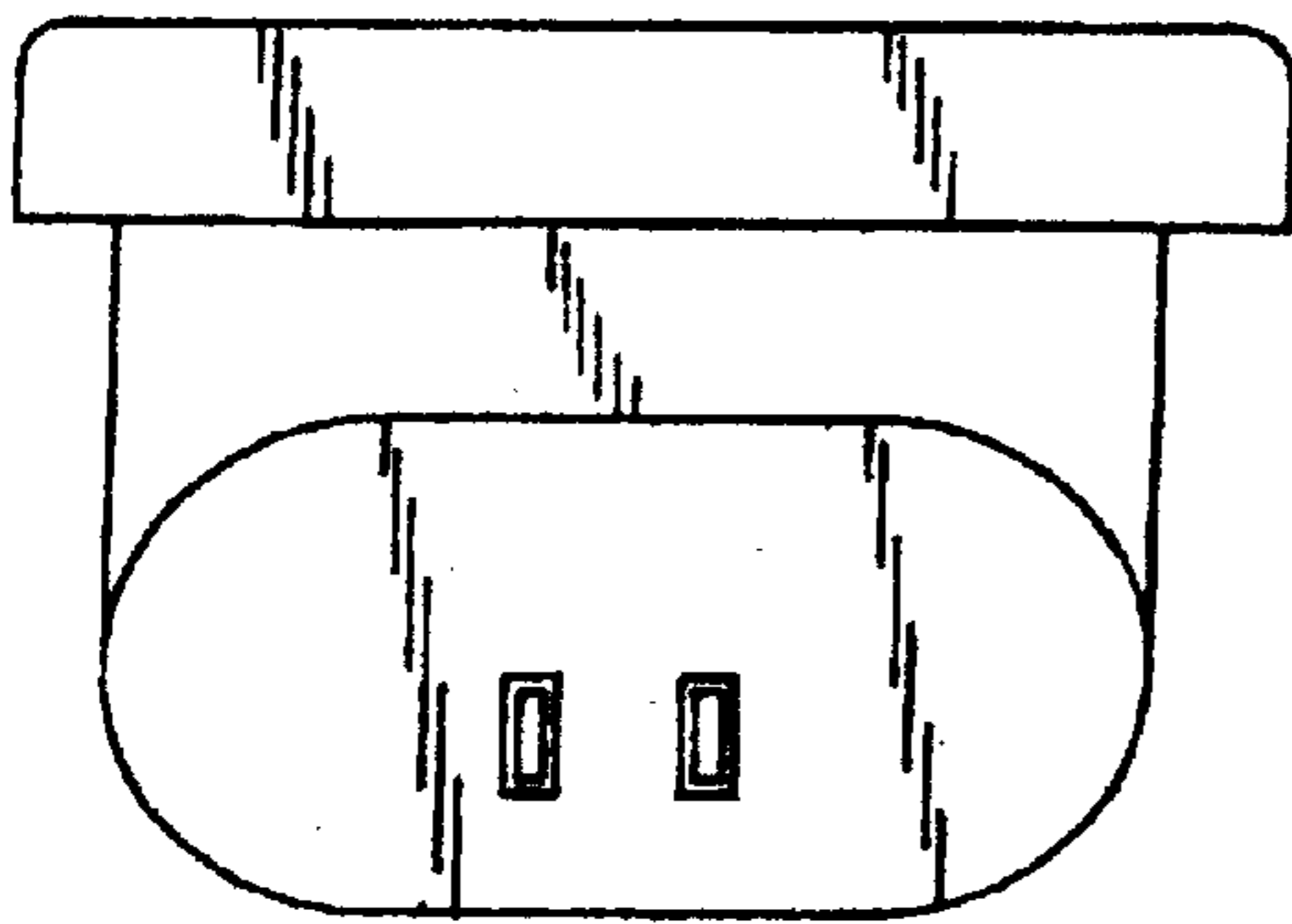


FIG. 3

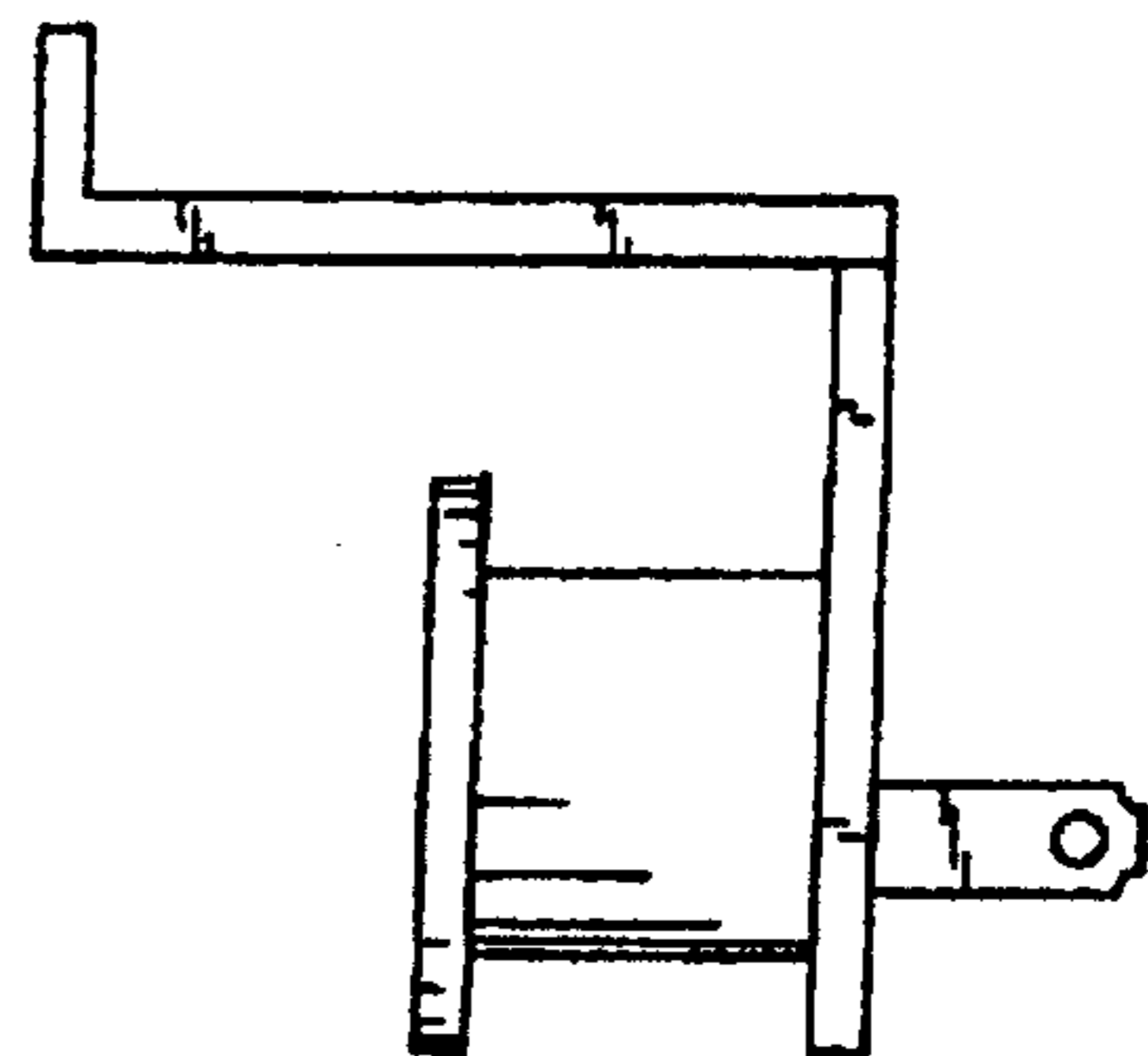


FIG. 4