

US00D549173S

(12) **United States Design Patent**
Müller et al.

(10) **Patent No.: US D549,173 S**

(45) **Date of Patent: ** Aug. 21, 2007**

(54) **MODULAR CONNECTING UNIT**

(75) Inventors: **Hartmut Müller**, Bräunlingen (DE);
Roland Dold, Furtwangen (DE); **Rolf Sticker**, Donaueschingen (DE)

(73) Assignee: **RIA-BTR Produktions GmbH**,
Blumberg (DE)

(**) Term: **14 Years**

(21) Appl. No.: **29/201,298**

(22) Filed: **Mar. 12, 2004**

(30) **Foreign Application Priority Data**

Sep. 19, 2003 (WO) DM/064 334

(51) **LOC (8) Cl.** **13-03**

(52) **U.S. Cl.** **D13/133; D13/147**

(58) **Field of Classification Search** D13/123,
D13/133, 146-147, 154, 184, 199; 439/65,
439/101, 79-80, 135, 278, 282, 291, 409,
439/417, 441, 527, 533, 709, 607-610, 725,
439/892, 947

See application file for complete search history.

(56) **References Cited**

U.S. PATENT DOCUMENTS

D215,545 S * 10/1969 Husks D13/133
D222,468 S * 10/1971 Reynolds D13/146

3,999,829 A * 12/1976 Glaesel 439/437
5,318,461 A * 6/1994 Frikkee et al. 439/715
D354,939 S * 1/1995 Jensen et al. D13/133
5,599,201 A * 2/1997 Sommer et al. 439/441
5,860,829 A * 1/1999 Hower et al. 439/417
5,947,761 A * 9/1999 Pepe 439/409
D472,877 S * 4/2003 Jaag D13/133
2006/0160406 A1 * 7/2006 Shimirak 439/417

* cited by examiner

Primary Examiner—Daniel Bui

(74) *Attorney, Agent, or Firm*—Muirhead and Saturnelli,
LLC

(57) **CLAIM**

The ornamental design for a modular connecting unit, as
shown and described.

DESCRIPTION

FIG. 1 is a top plan view of a modular connecting unit
showing our new design;

FIG. 2 is a left side elevational view thereof;

FIG. 3 is a front elevational view thereof;

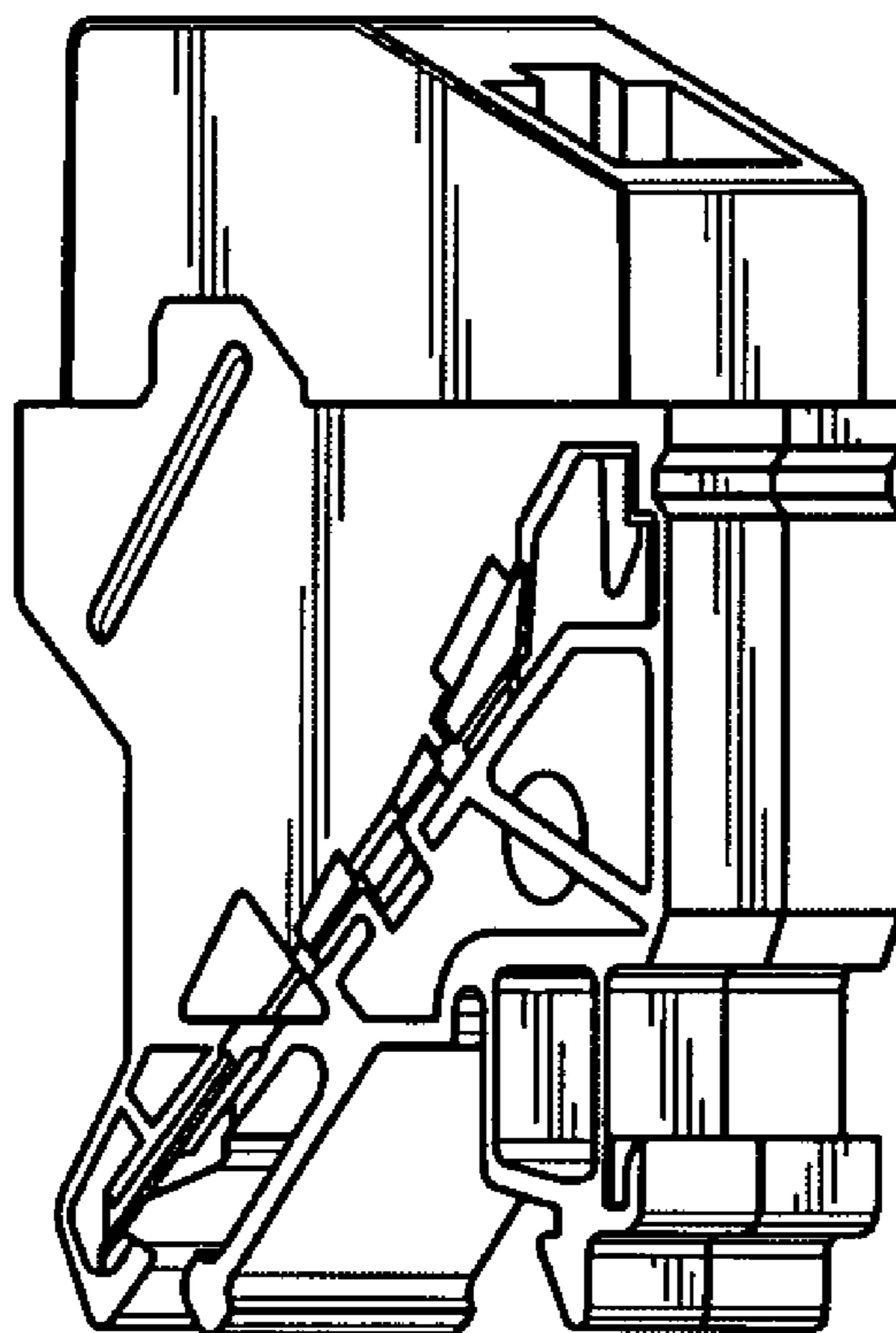
FIG. 4 is a right side elevational view thereof;

FIG. 5 is a bottom plan view thereof;

FIG. 6 is a rear elevational view thereof; and,

FIG. 7 is a perspective view thereof.

1 Claim, 2 Drawing Sheets



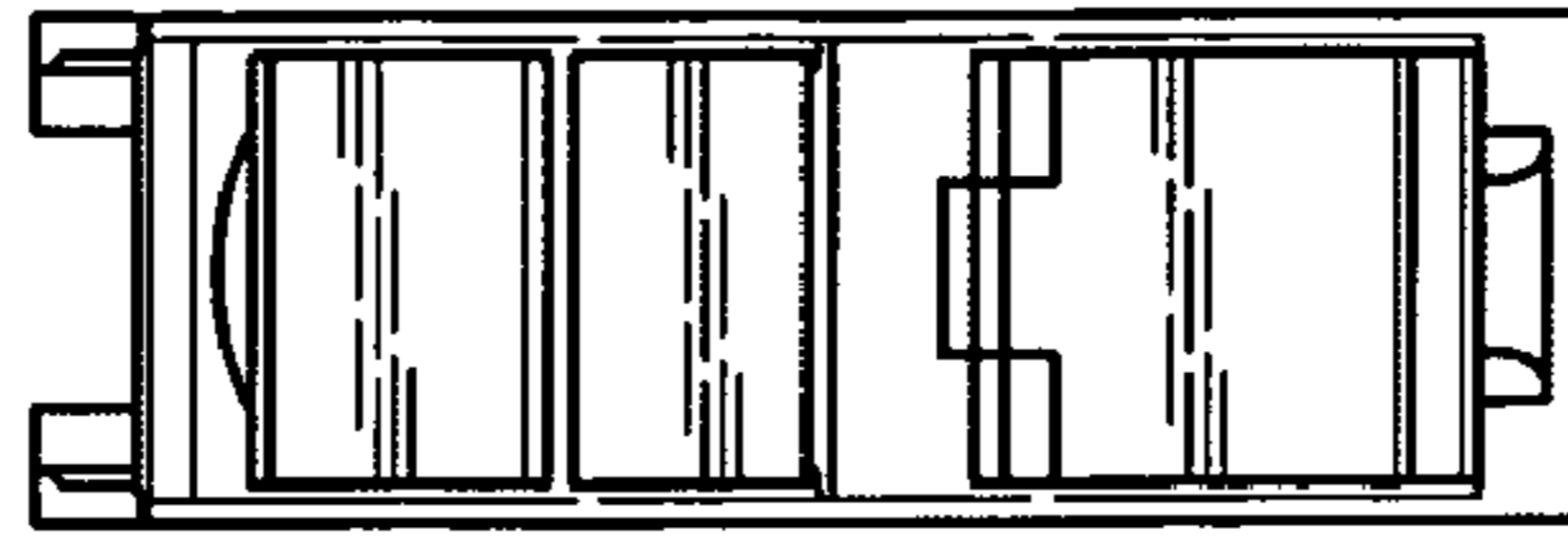


FIG. 1

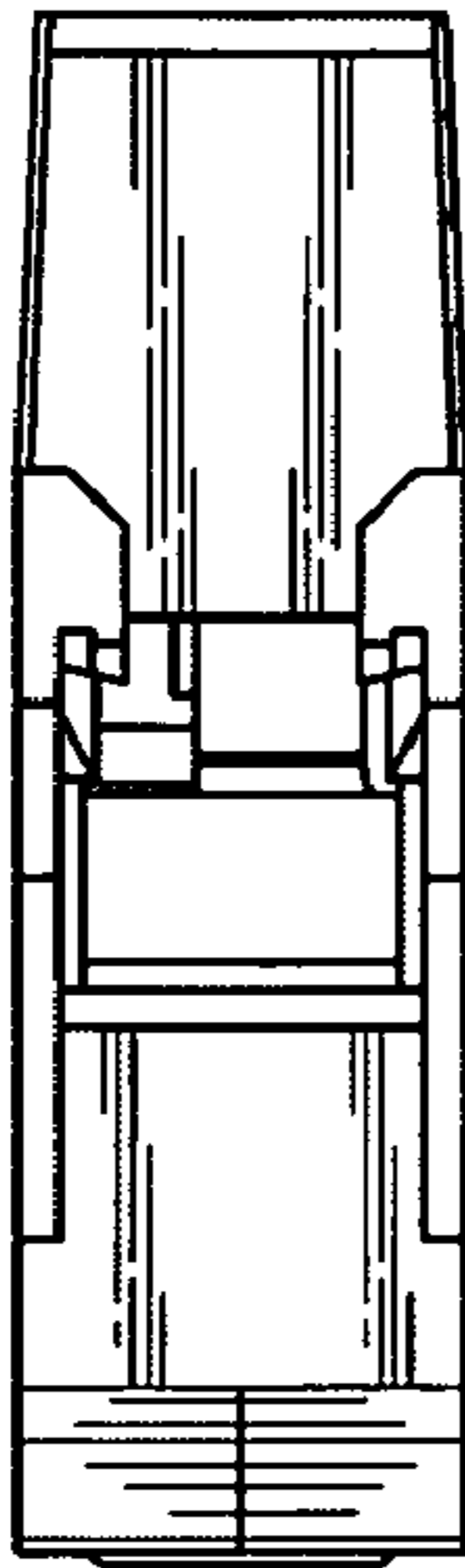


FIG. 2

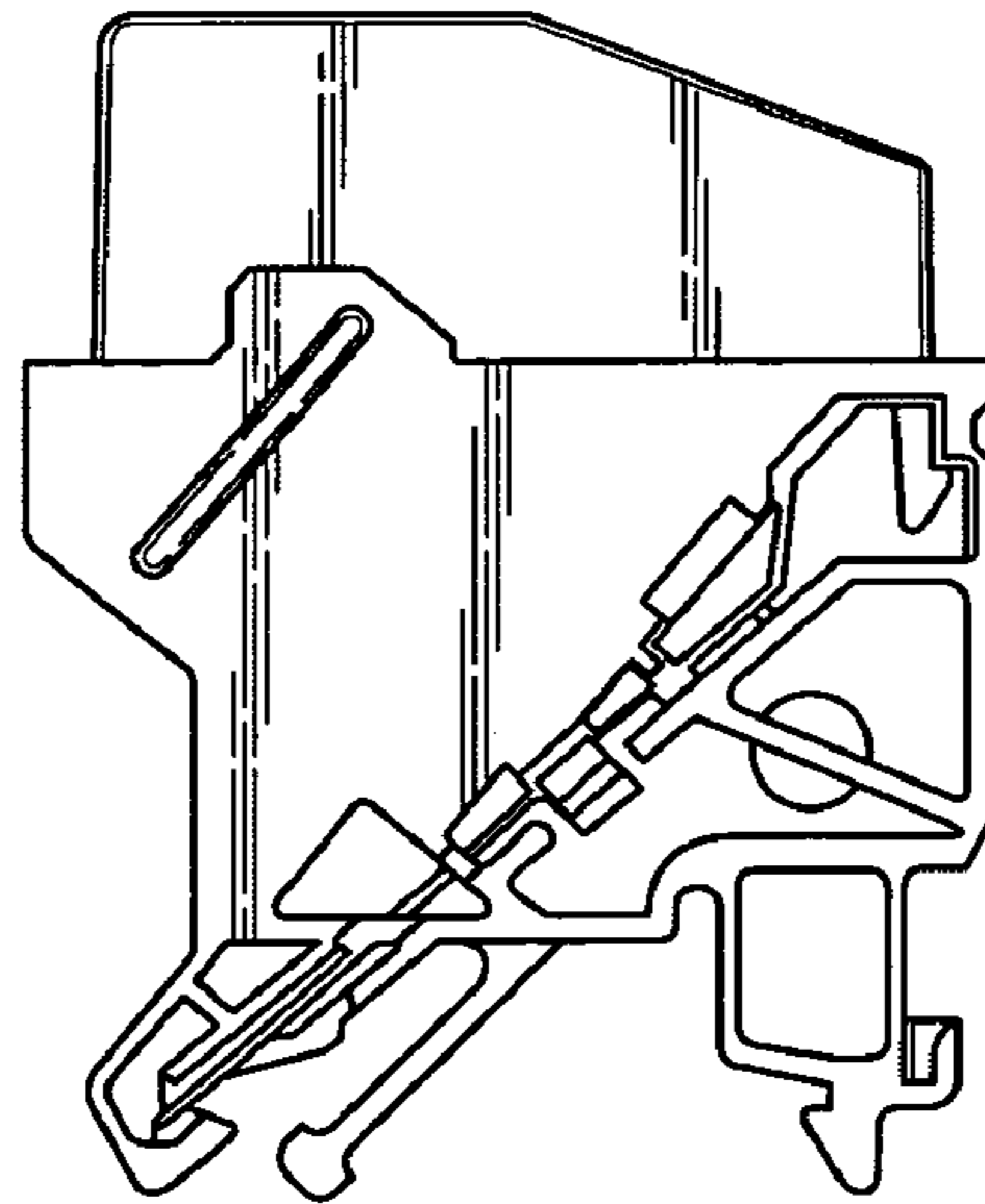


FIG. 3

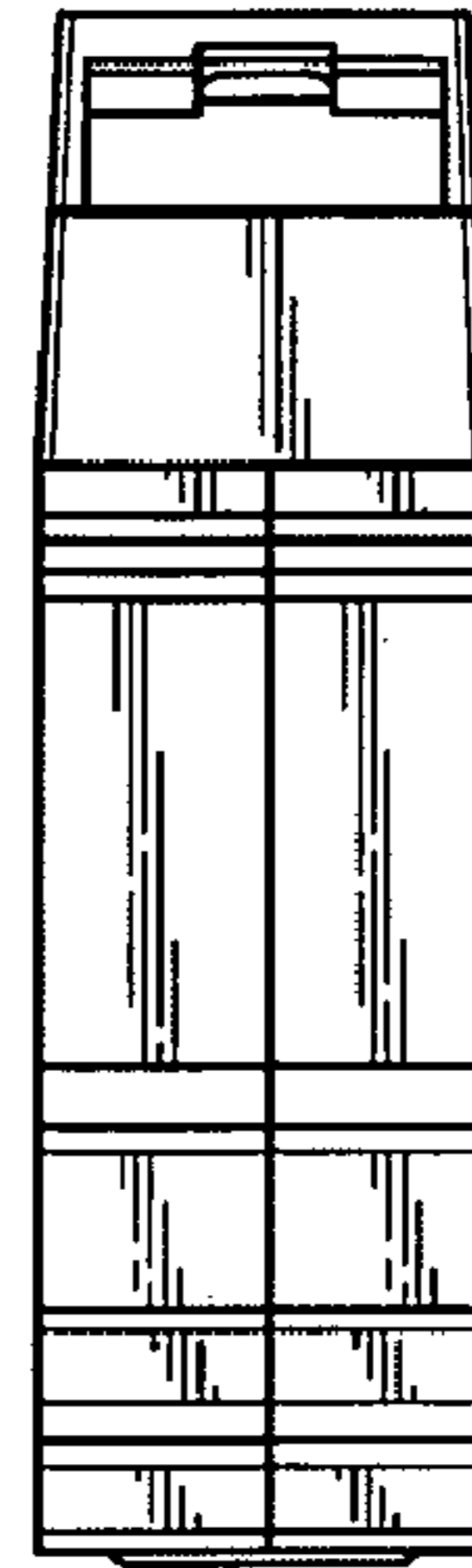


FIG. 4

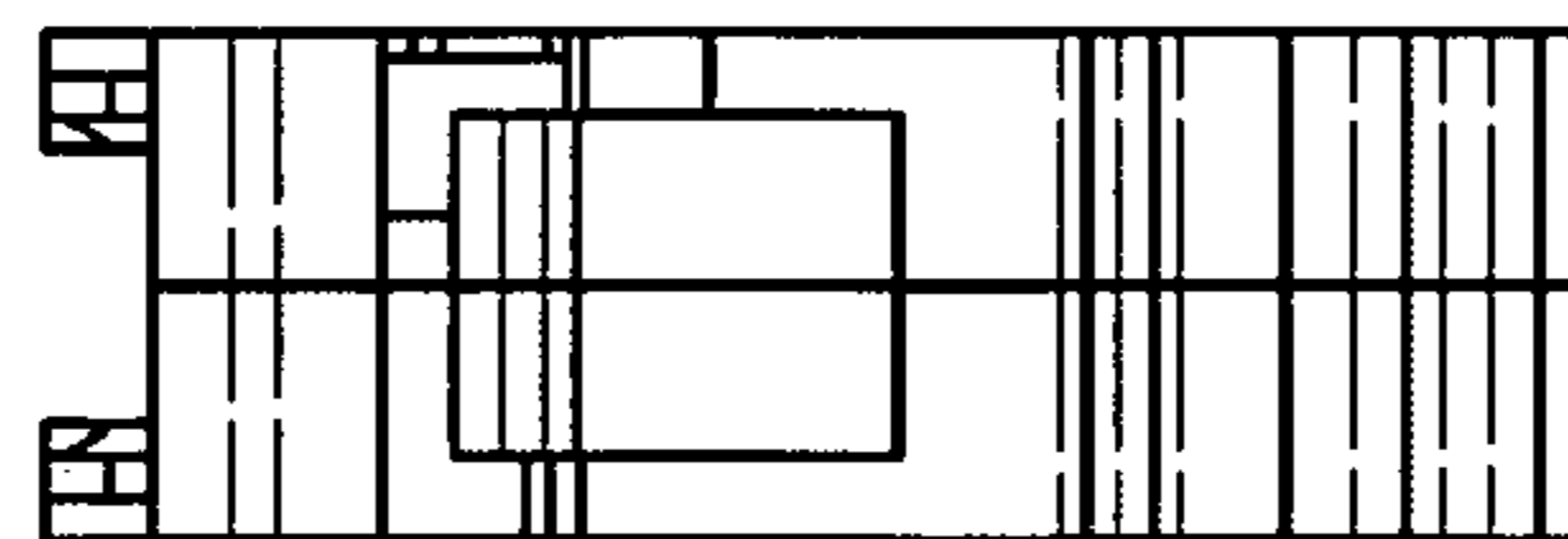


FIG. 5

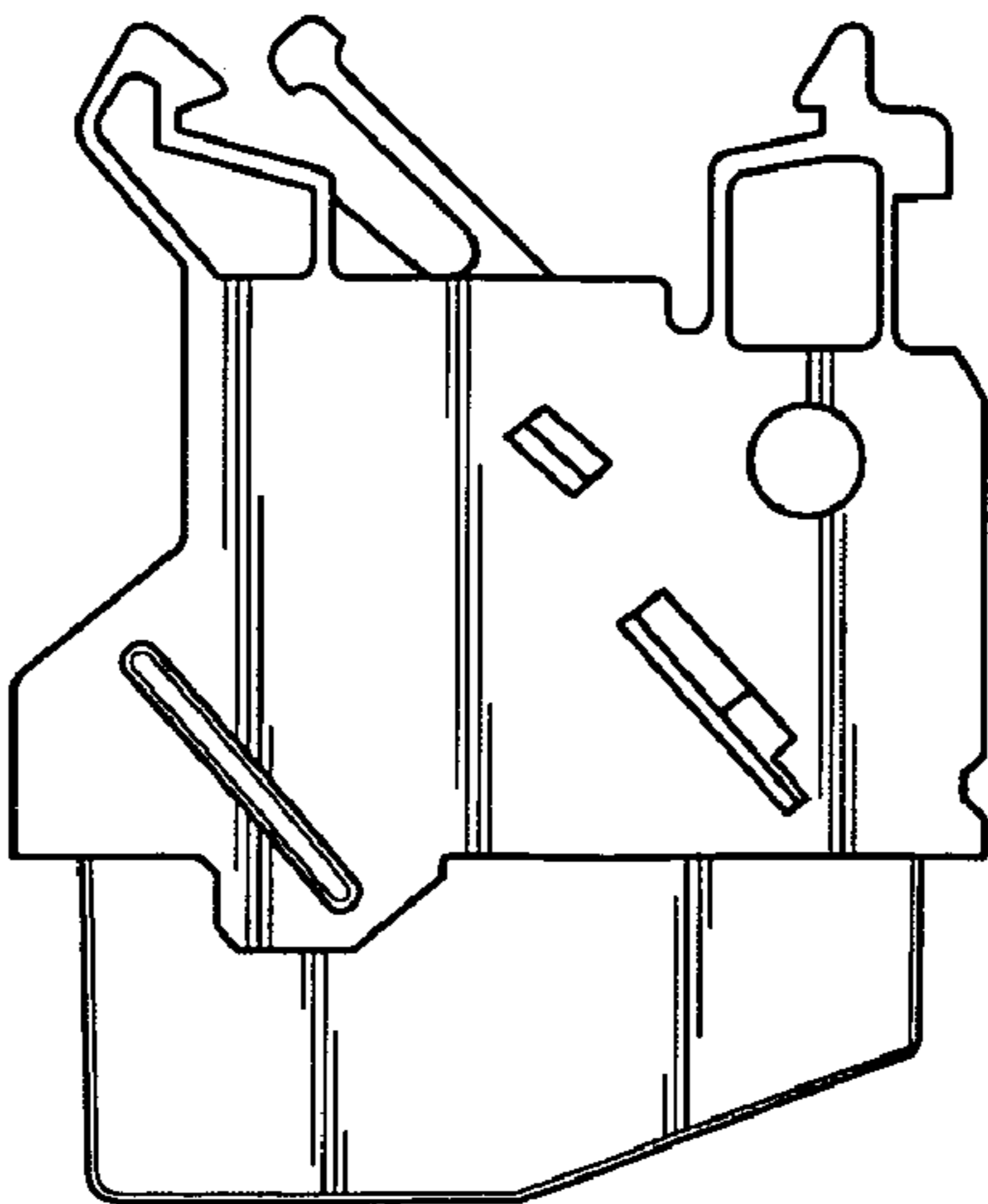


FIG. 6

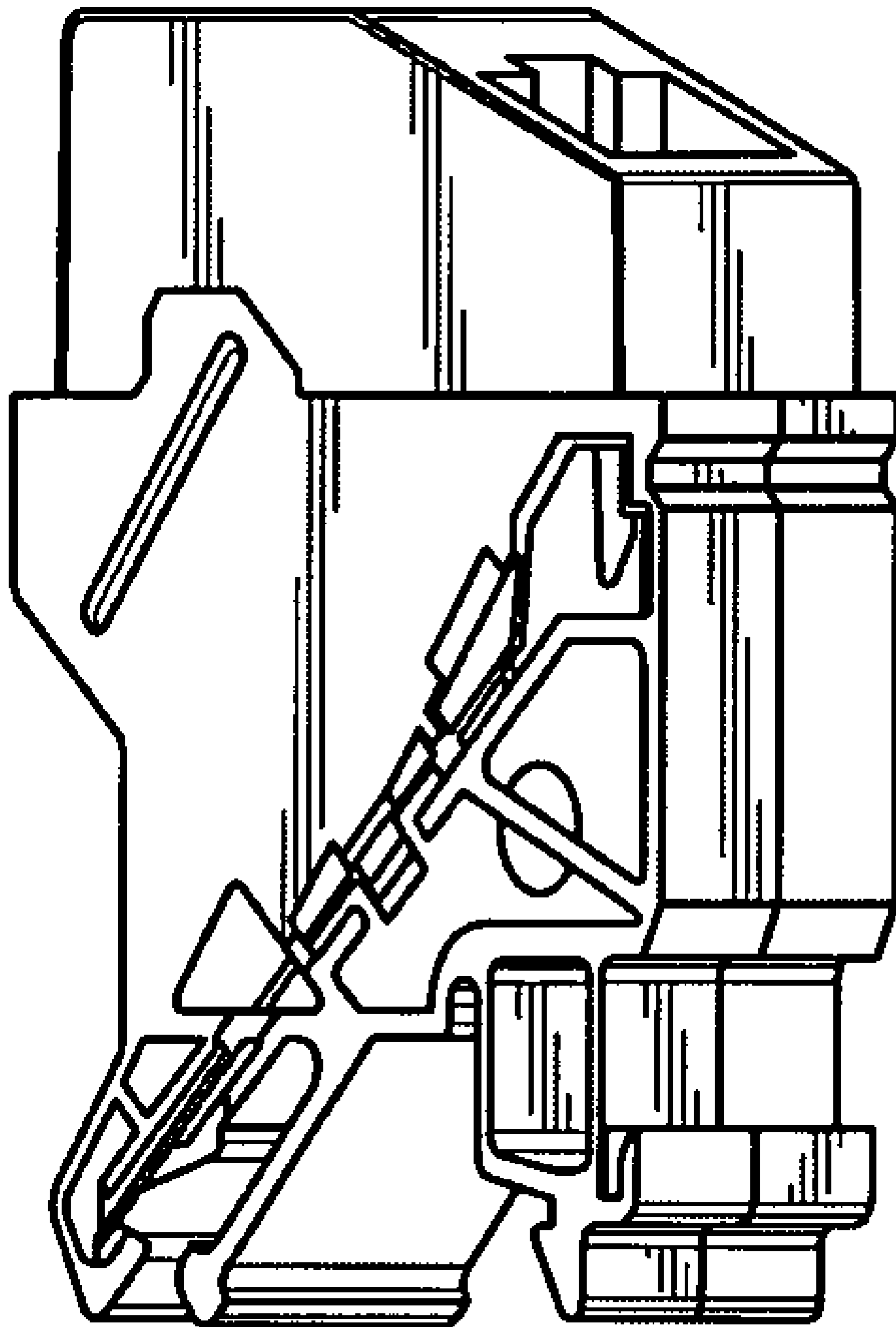


FIG. 7