



US00D549172S

(12) **United States Design Patent**  
**Suzuki**

(10) **Patent No.:** **US D549,172 S**

(45) **Date of Patent:** **\*\* Aug. 21, 2007**

(54) **DIRECT CURRENT STABILIZATION  
POWER SOURCE DEVICE**

(75) Inventor: **Jun Suzuki**, Tokyo (JP)

(73) Assignee: **Sun Automobile Co., Ltd**, Tokyo (JP)

(\*\*) Term: **14 Years**

(21) Appl. No.: **29/223,557**

(22) Filed: **Feb. 15, 2005**

(30) **Foreign Application Priority Data**

Aug. 18, 2004 (JP) ..... 2004-27955

(51) **LOC (8) Cl.** ..... **13-02**

(52) **U.S. Cl.** ..... **D13/110**

(58) **Field of Classification Search** ..... D13/110,  
D13/101, 114, 117, 199; D15/5, 149; 310/68 D;  
361/18, 30, 31

See application file for complete search history.

(56) **References Cited**

**U.S. PATENT DOCUMENTS**

3,778,650 A \* 12/1973 Tharman ..... 310/68 D

D245,611 S \* 8/1977 Jones ..... D15/149

4,682,101 A \* 7/1987 Cattaneo ..... 324/117 H

5,999,077 A \* 12/1999 Hammond et al. .... 336/134

6,201,674 B1 \* 3/2001 Warita et al. .... 361/18

6,355,369 B1 \* 3/2002 Iarochenko et al. .... 429/27

6,619,122 B1 \* 9/2003 Nozoe ..... 73/504.16

\* cited by examiner

*Primary Examiner*—Prabhakar Deshmukh

*Assistant Examiner*—Derrick Holland

(74) *Attorney, Agent, or Firm*—Townsend & Banta

(57) **CLAIM**

The ornamental design for a direct current stabilization power source device, as shown.

**DESCRIPTION**

FIG. 1 is a bottom view of a direct current stabilization power source device, showing my new design;

FIG. 2 is a front view thereof;

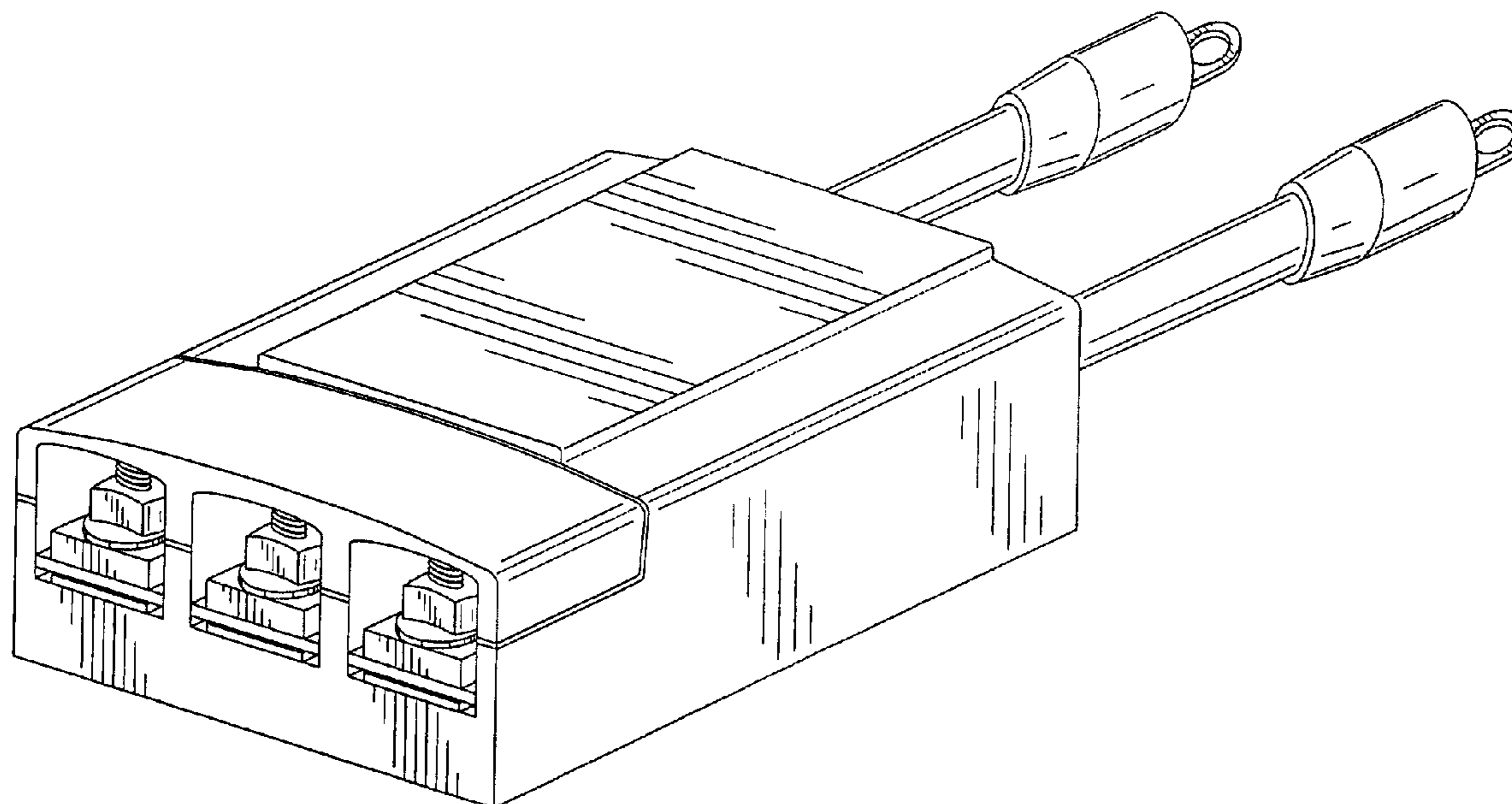
FIG. 3 is a side view thereof;

FIG. 4 is a top plan view thereof;

FIG. 5 is a perspective view thereof; and,

FIG. 6 is a elevated rear view thereof.

**1 Claim, 6 Drawing Sheets**



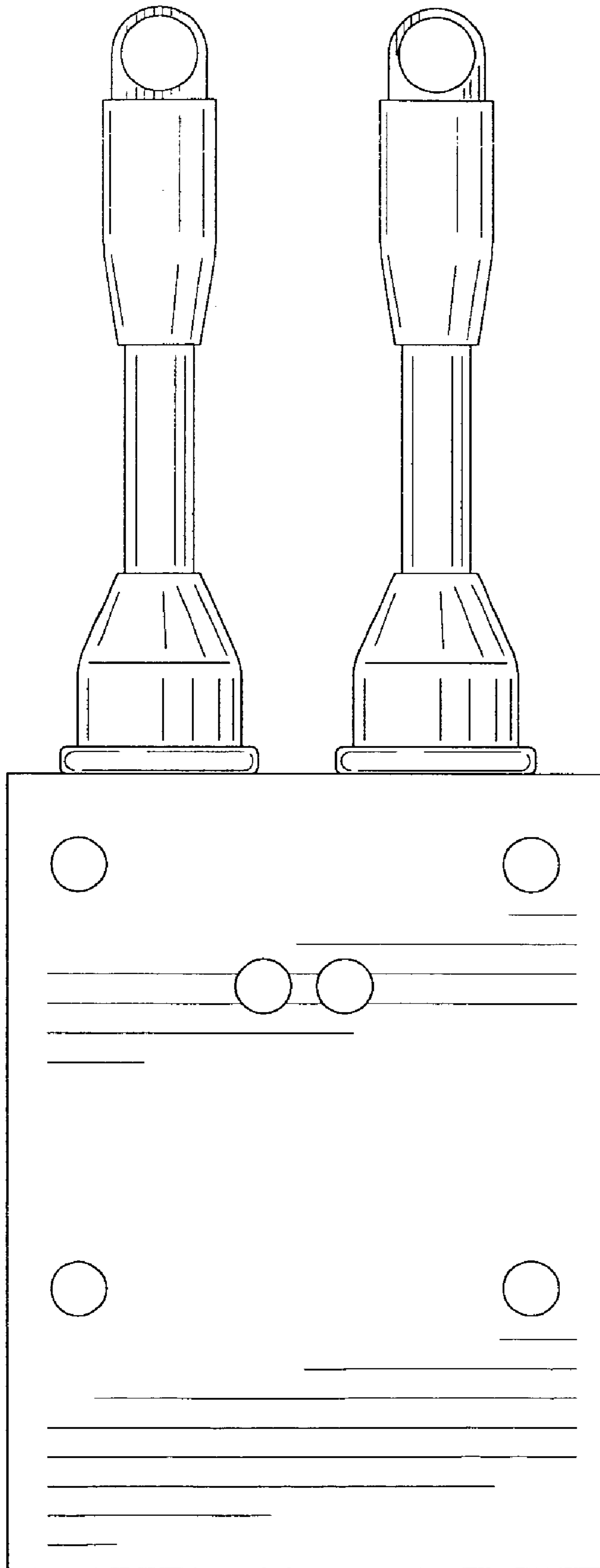
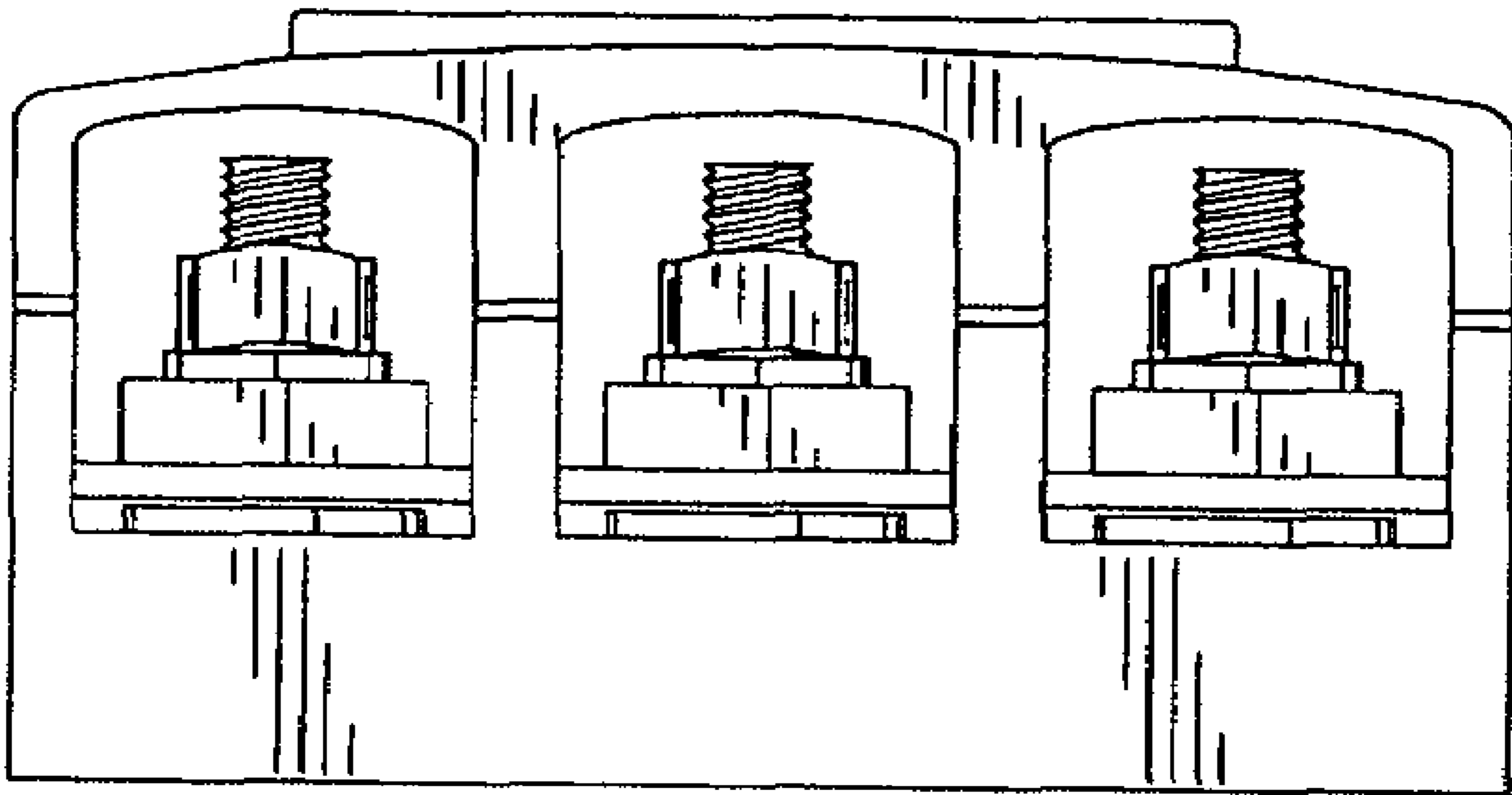
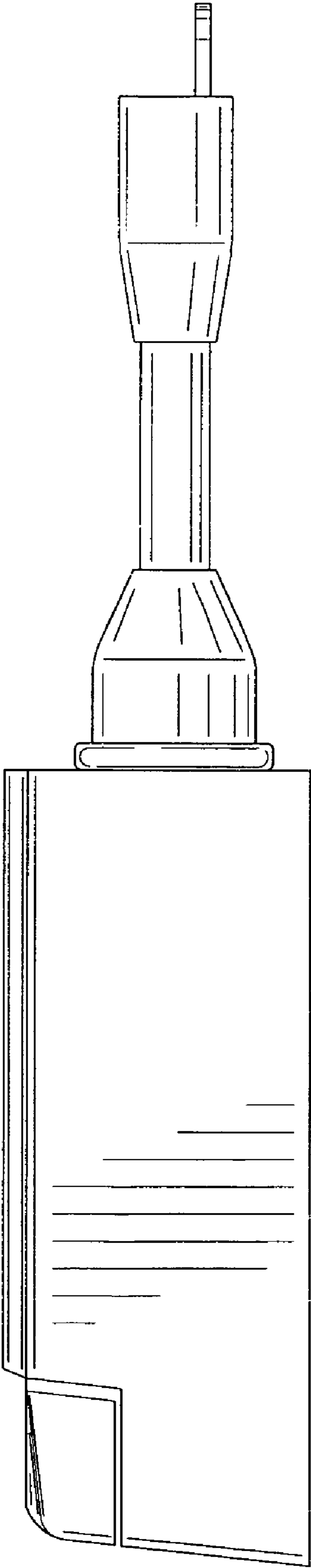


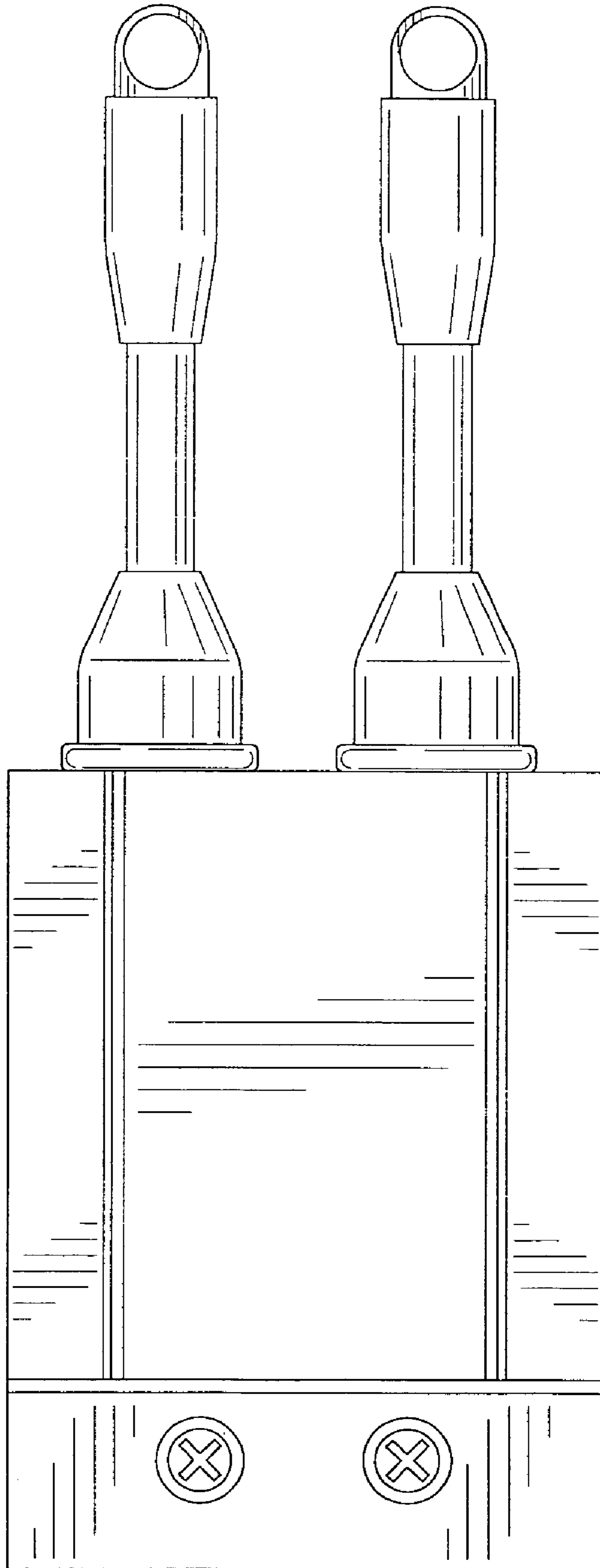
FIG. 1



**FIG. 2**



**FIG. 3**



**FIG. 4**

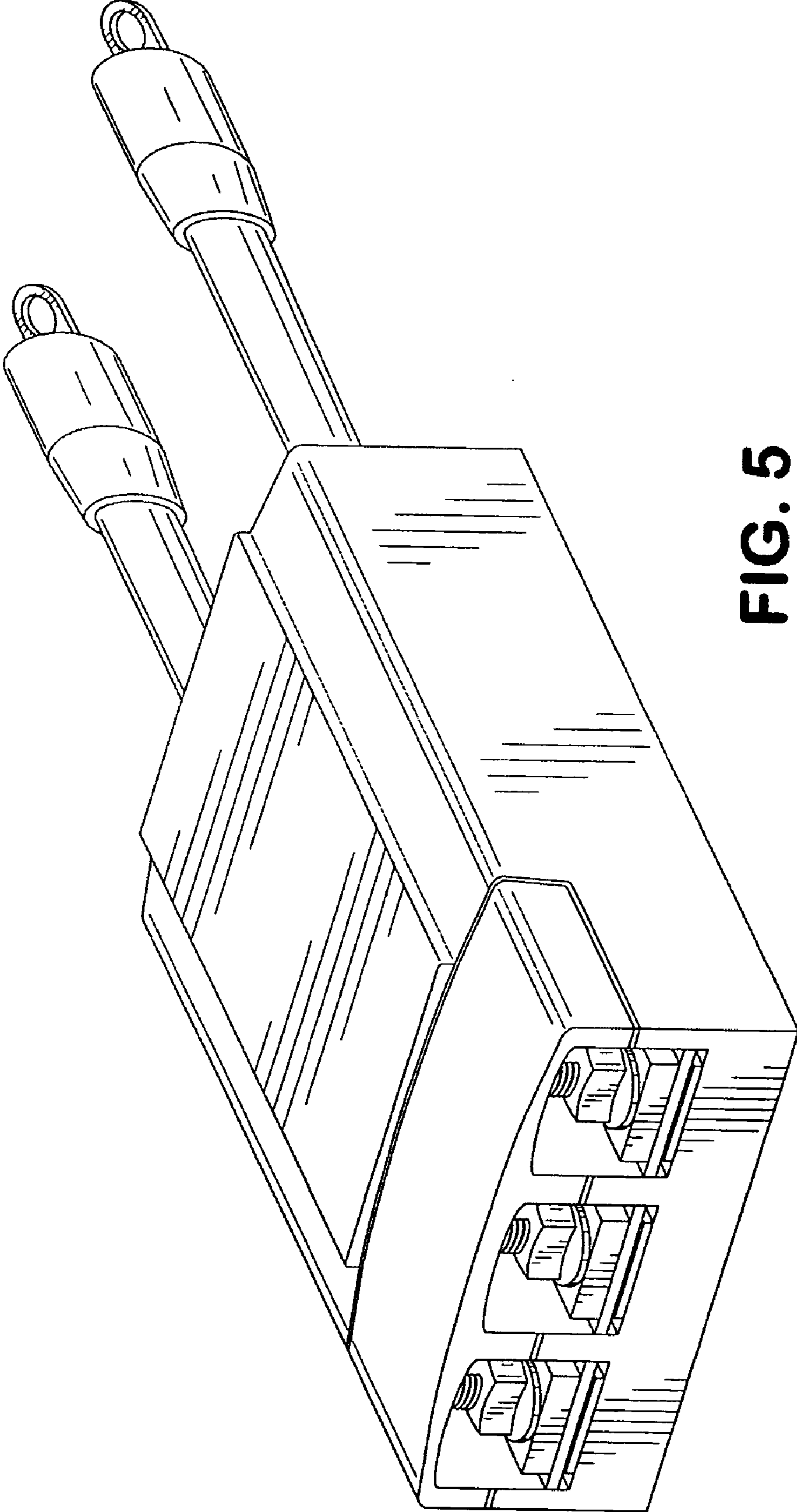
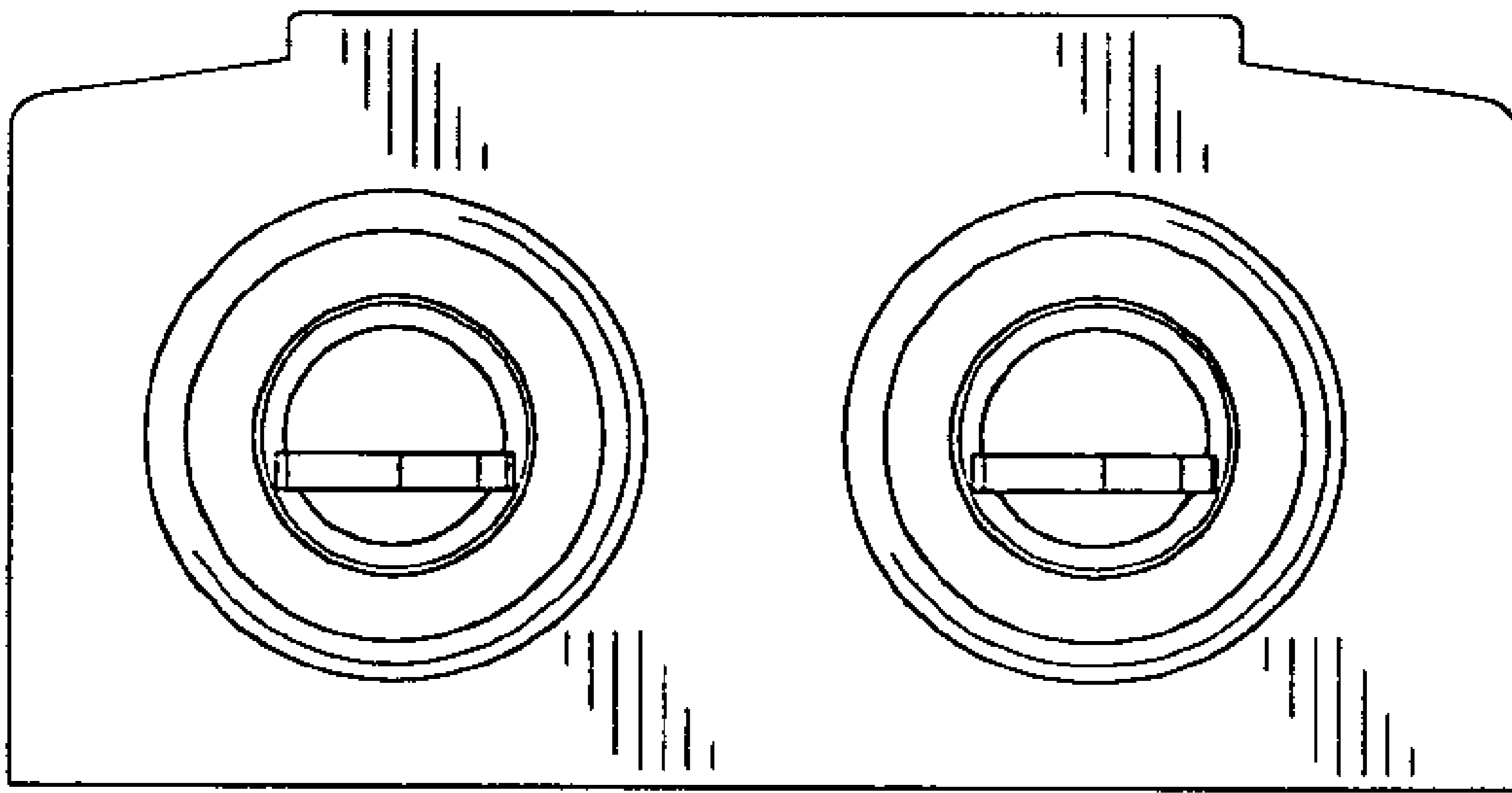


FIG. 5



**FIG. 6**