

US00D549170S

(12) **United States Design Patent**
Yen

(10) **Patent No.:** **US D549,170 S**

(45) **Date of Patent:** **** Aug. 21, 2007**

(54) **MOBILE CAR BATTERY CHARGER**

(76) Inventor: **Jen-Yen Yen**, 4-3C Fl, No. 532, Sec. 1,
Tai-Yhan Rd, Taichung City (TW) 404

(**) Term: **14 Years**

(21) Appl. No.: **29/268,734**

(22) Filed: **Nov. 13, 2006**

(51) **LOC (8) Cl.** **13-02**

(52) **U.S. Cl.** **D13/107**

(58) **Field of Classification Search** D13/106-110,
D13/118-119, 184; D14/251, 253, 432,
D14/434; 320/103-105, 107-115

See application file for complete search history.

(56) **References Cited**

U.S. PATENT DOCUMENTS

D374,859 S	*	10/1996	Guay et al.	D13/110
D432,985 S	*	10/2000	Wan	D13/107
D464,619 S	*	10/2002	Krieger et al.	D13/110
D464,620 S	*	10/2002	Krieger et al.	D13/110
D464,935 S	*	10/2002	Krieger et al.	D13/110
D469,739 S	*	2/2003	Dayan	D13/107
D493,421 S	*	7/2004	Krieger et al.	D13/107
D506,724 S	*	6/2005	Hriscu et al.	D13/107

D506,975 S	*	7/2005	Krieger et al.	D13/107
D514,508 S	*	2/2006	Krieger et al.	D13/107
D517,983 S	*	3/2006	Krieger et al.	D13/107
D519,448 S	*	4/2006	Leung	D13/107
D530,664 S	*	10/2006	Wingerter et al.	D13/107

* cited by examiner

Primary Examiner—Alan P. Douglas
Assistant Examiner—Rosemary K. Tarcza

(57) **CLAIM**

The ornamental design for a mobile car battery charger, as shown and described.

DESCRIPTION

FIG. 1 is a perspective view of a mobile car battery charger showing my new design;

FIG. 2 is a top plan view thereof;

FIG. 3 is a bottom plan view thereof;

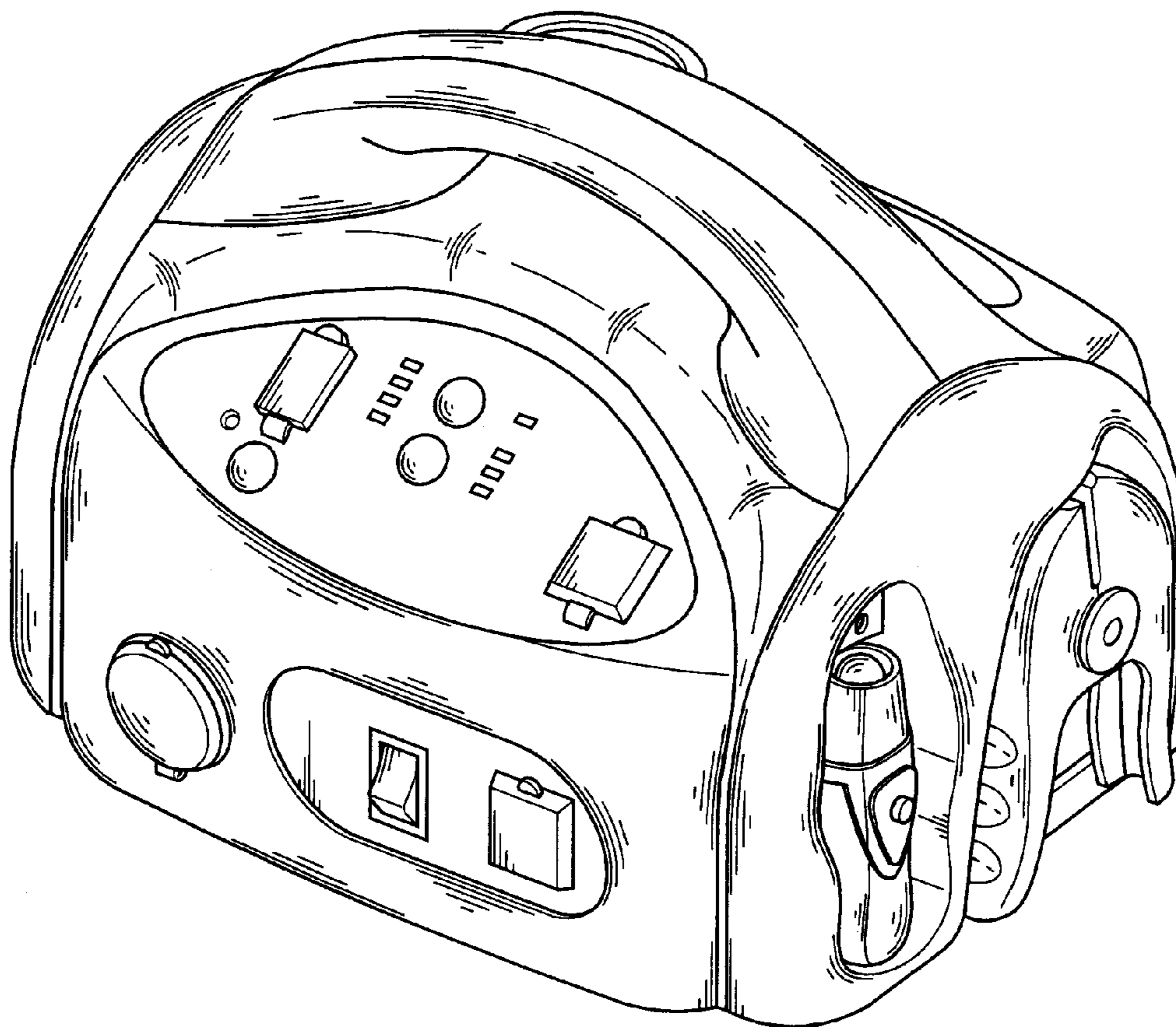
FIG. 4 is a front elevational view thereof;

FIG. 5 is a rear elevational view thereof;

FIG. 6 is a left side elevational view thereof; and,

FIG. 7 is a right side elevational view thereof.

1 Claim, 4 Drawing Sheets



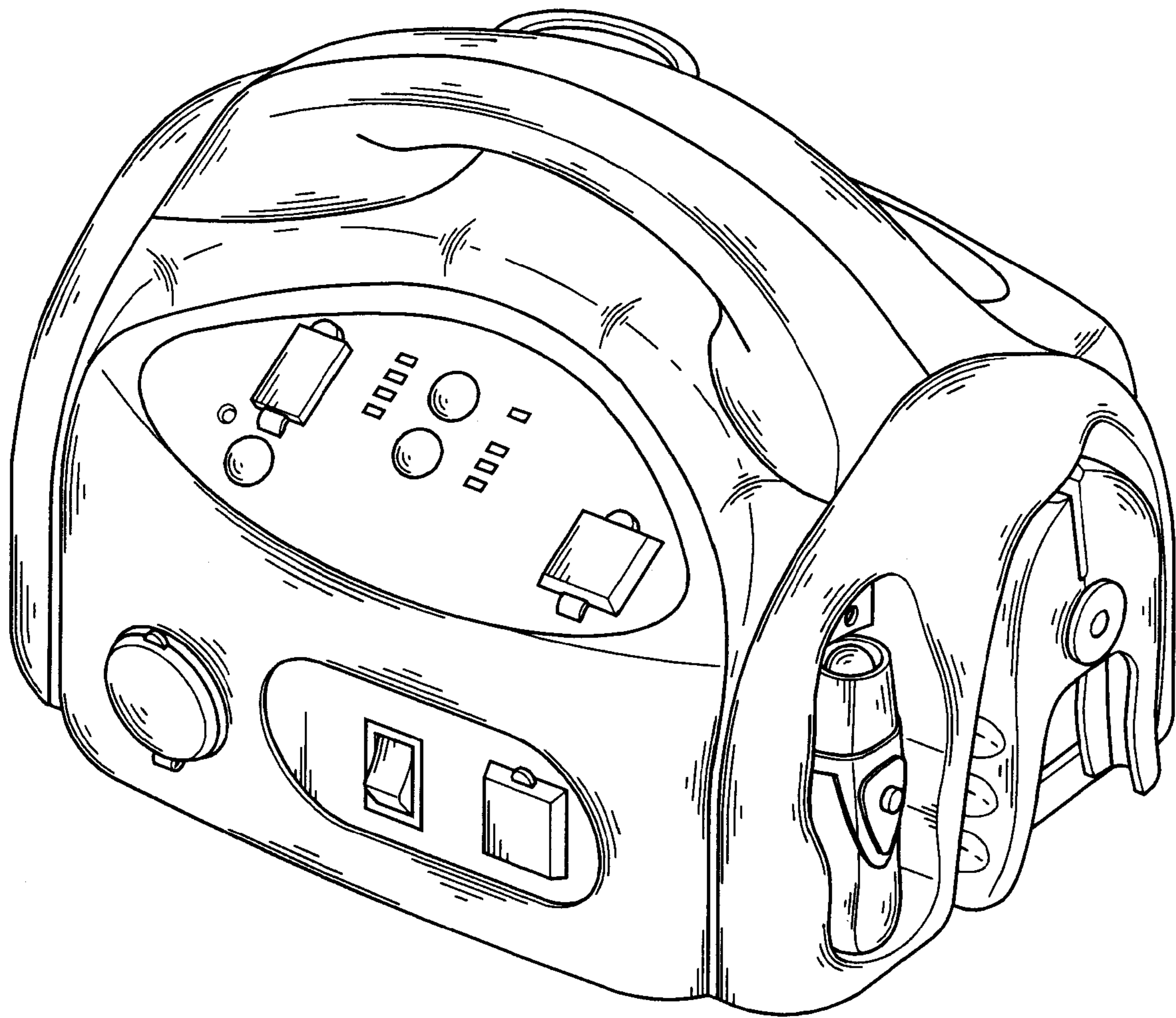


FIG. 1

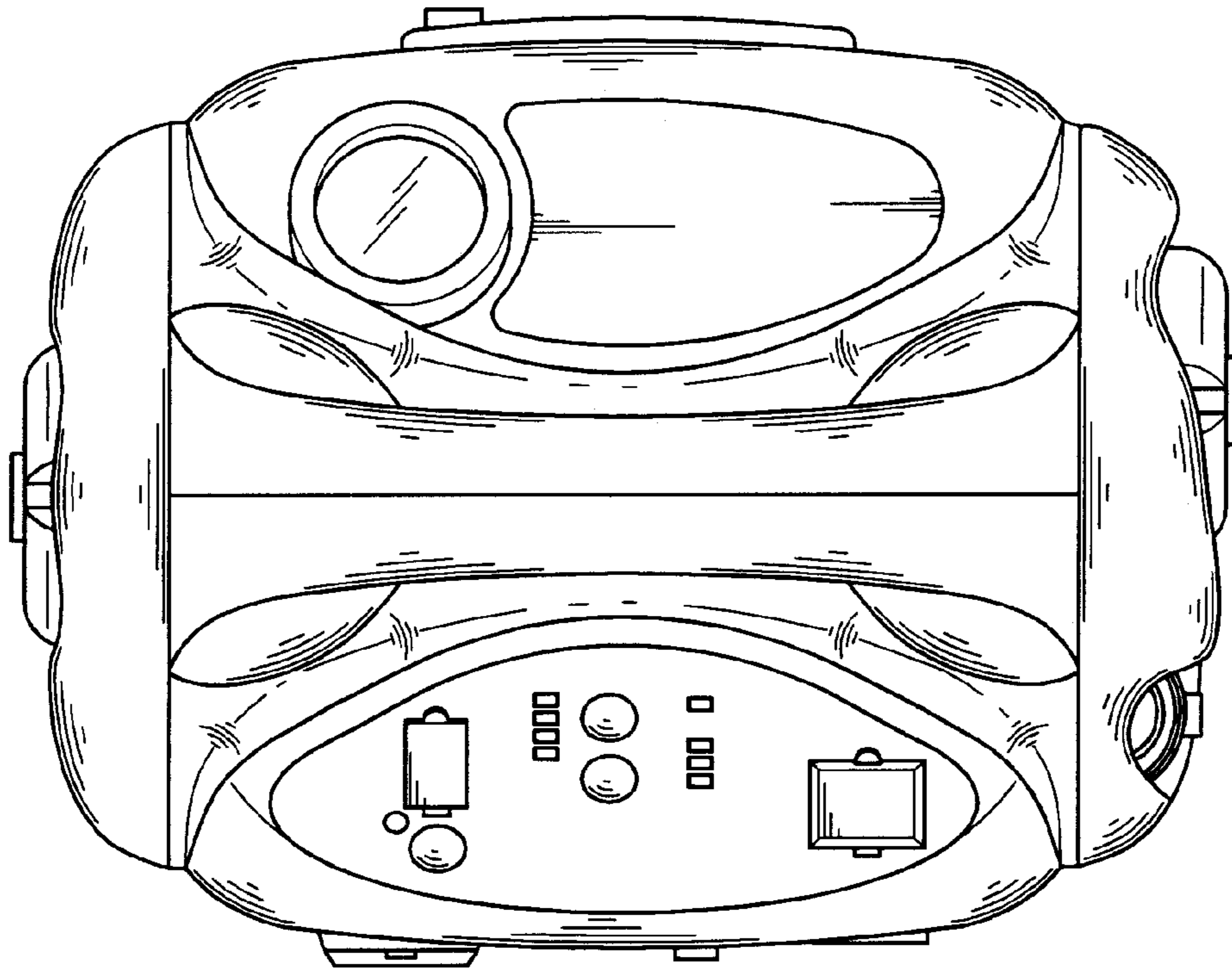


FIG. 2

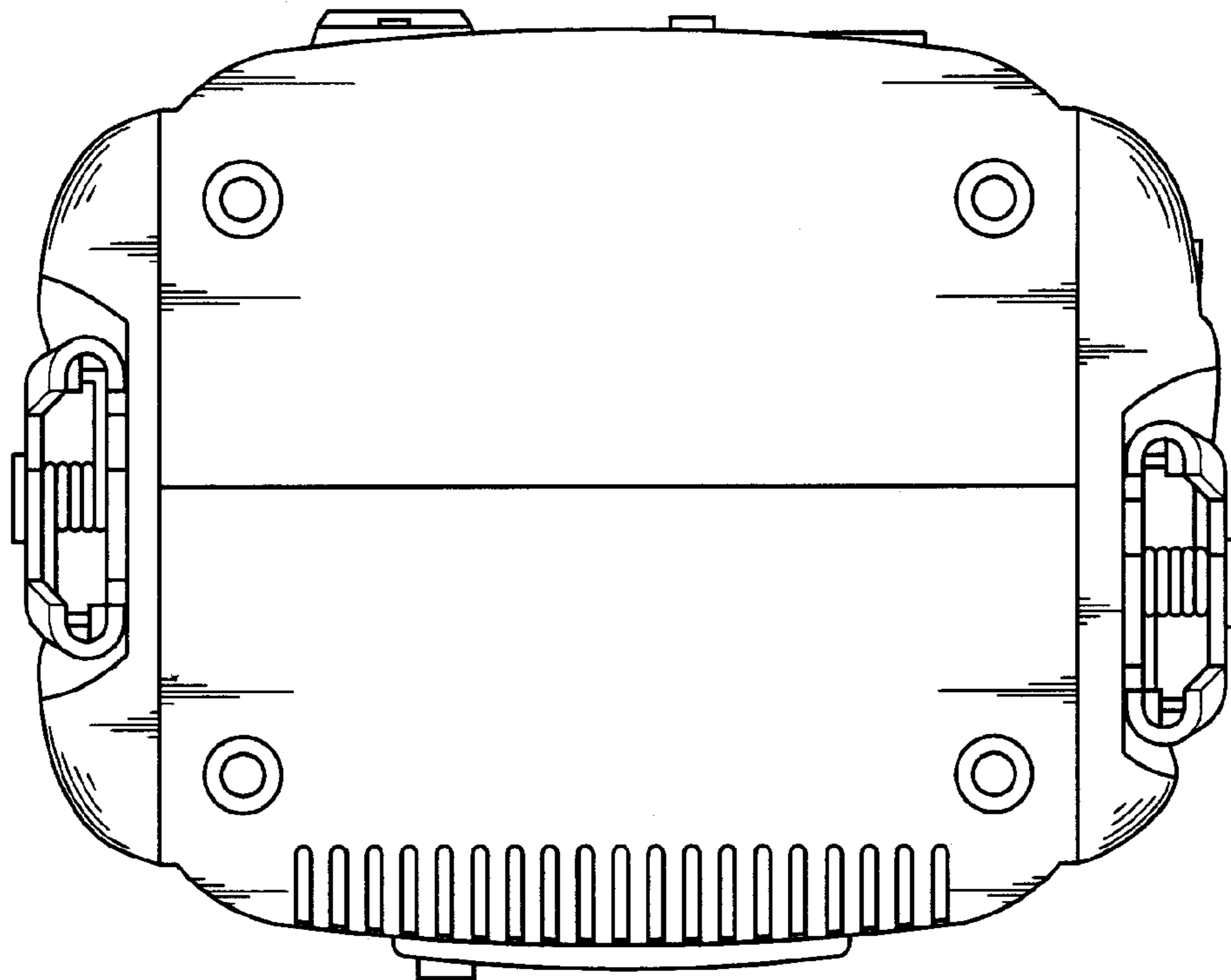


FIG. 3

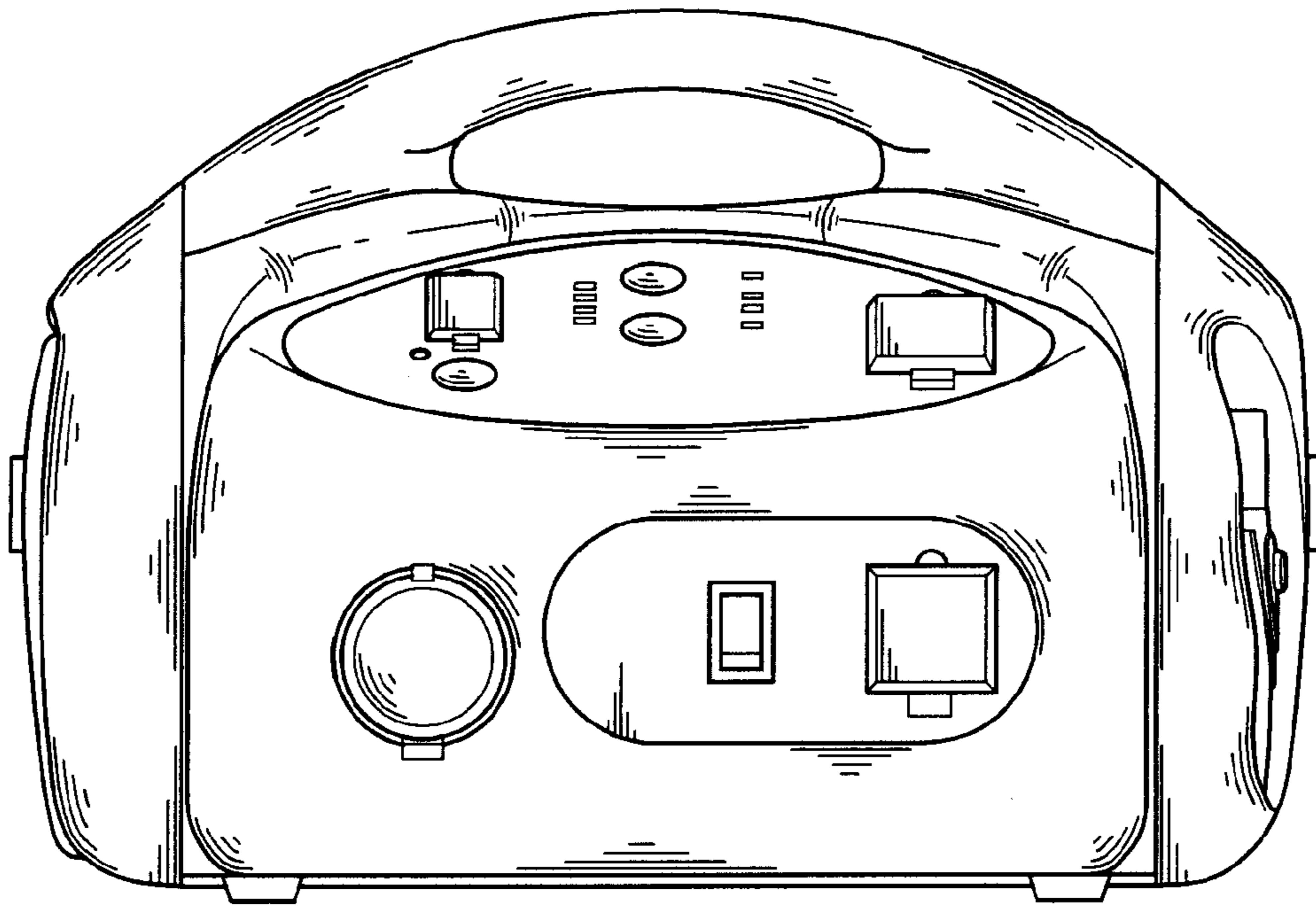


FIG. 4

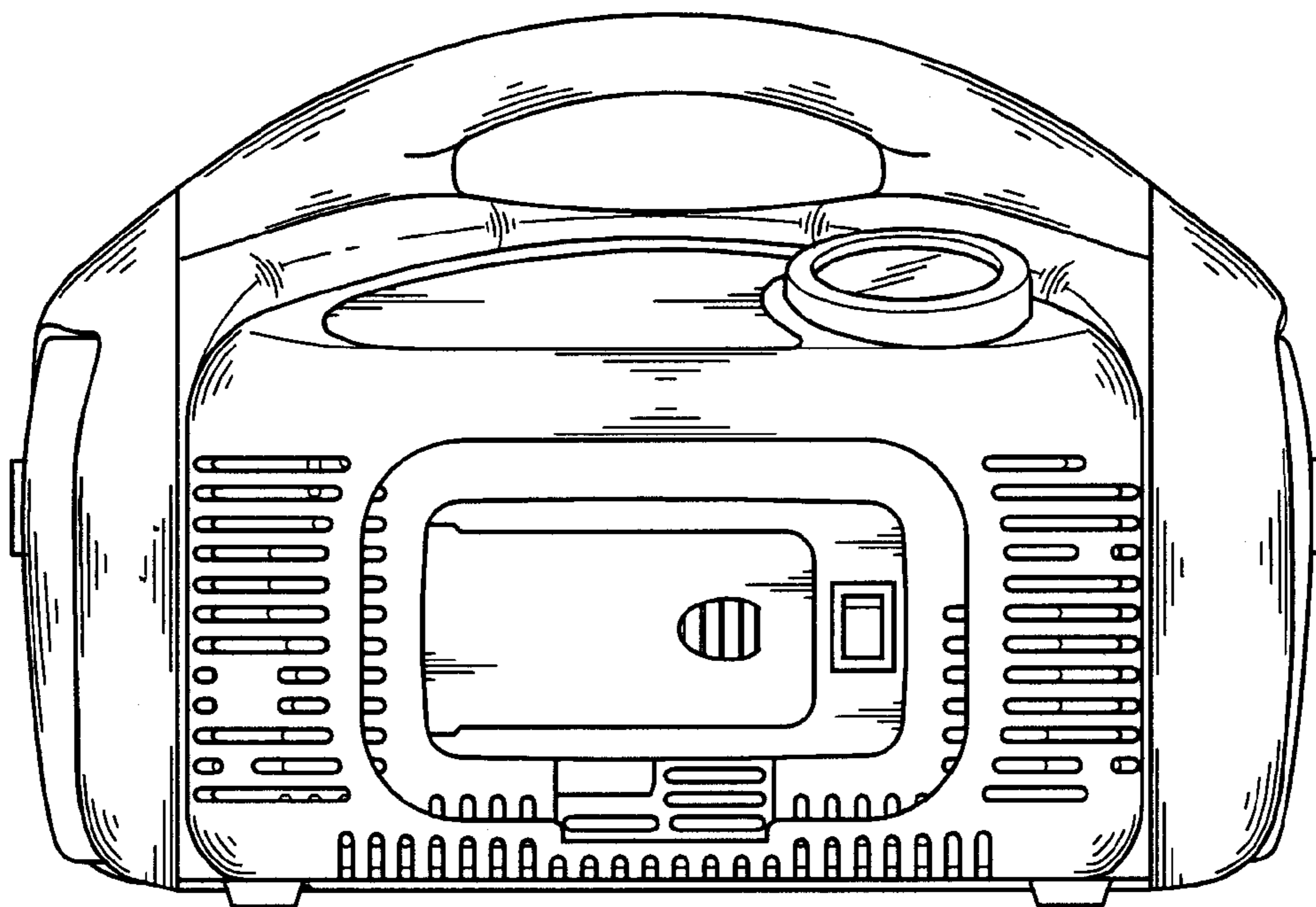


FIG. 5

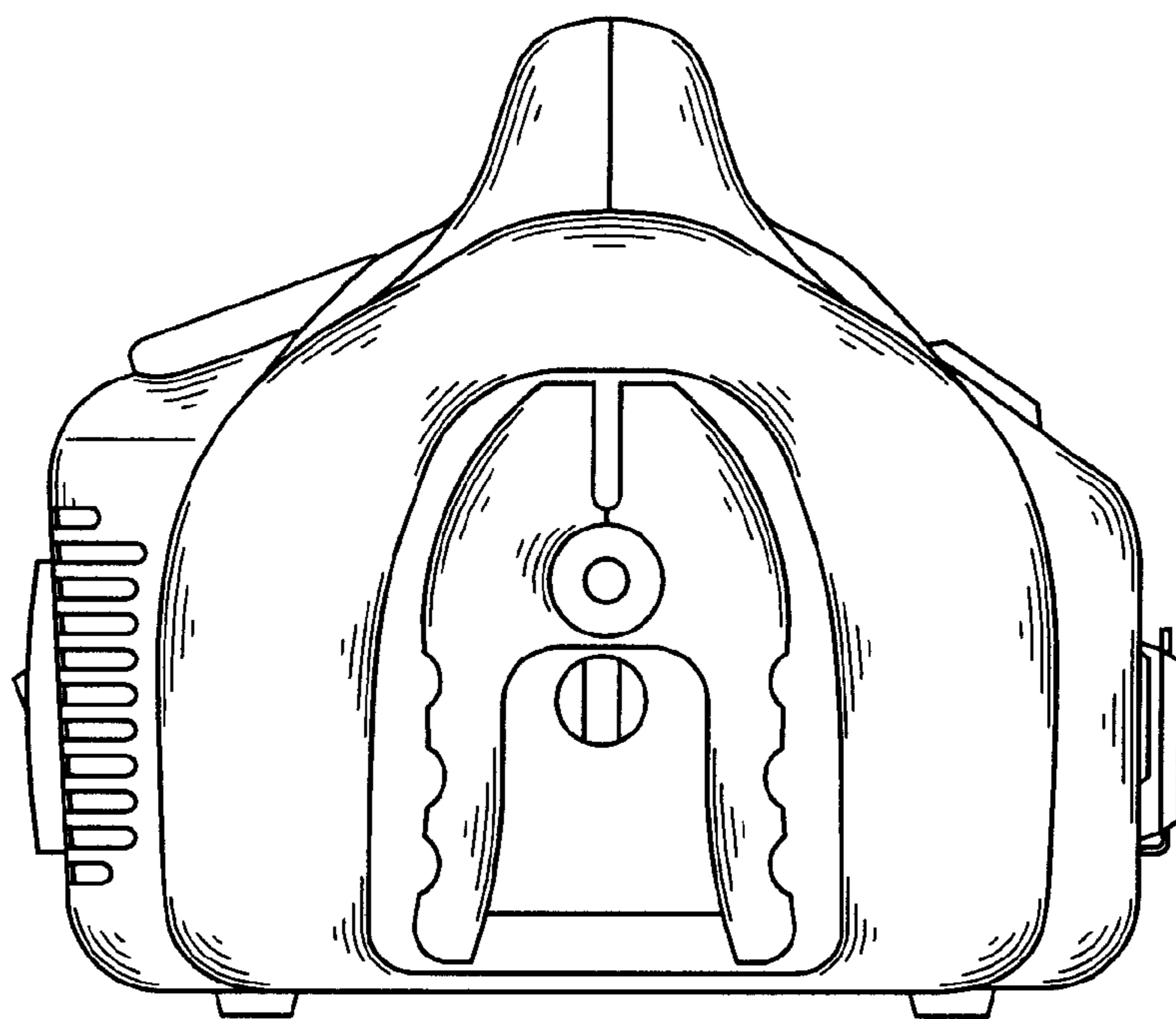


FIG. 6

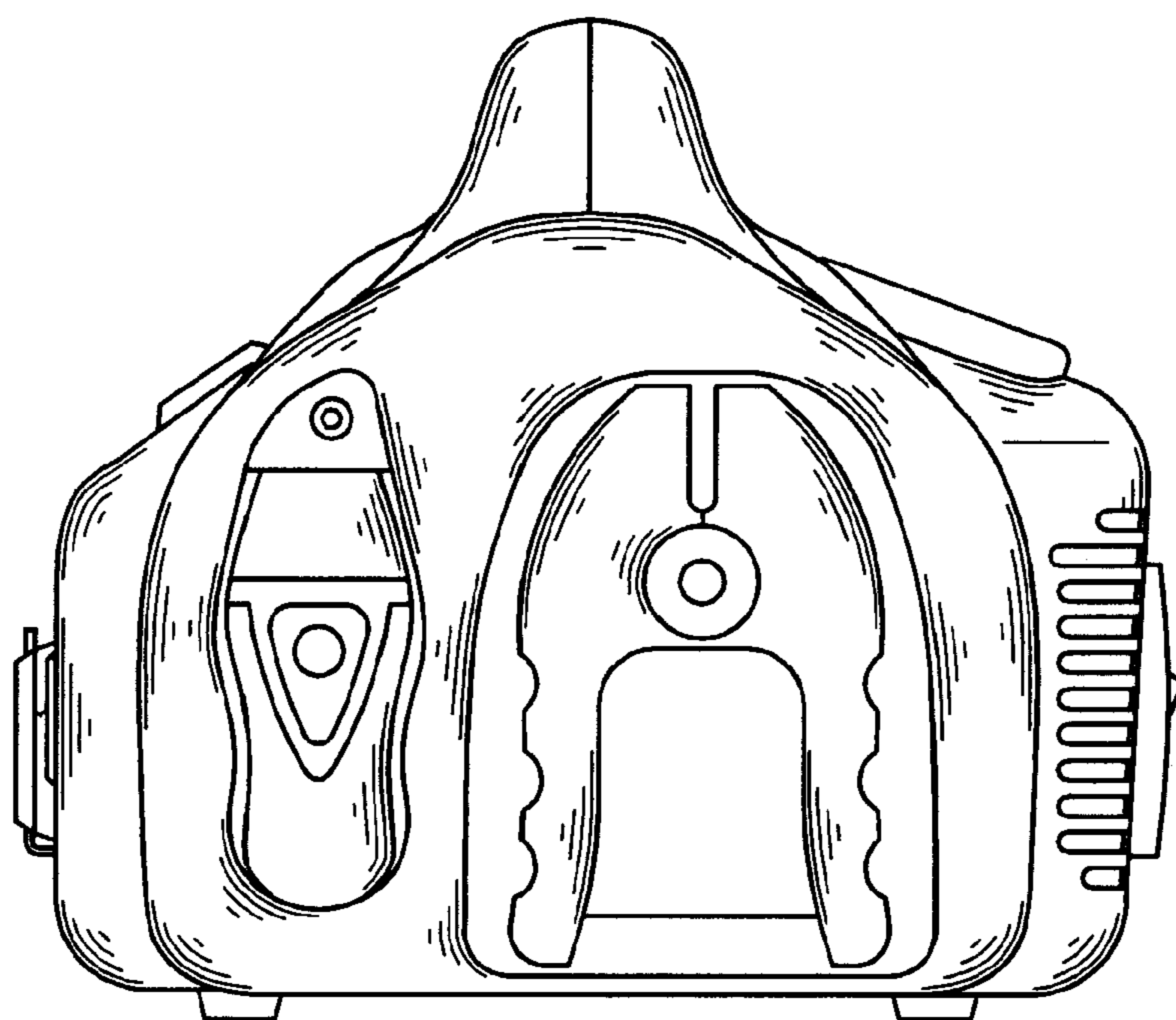


FIG. 7