



US00D549169S

(12) **United States Design Patent**
Watson

(10) **Patent No.:** **US D549,169 S**

(45) **Date of Patent:** **** Aug. 21, 2007**

(54) **BATTERY CHARGER**

(75) Inventor: **James B. Watson**, Fallston, MD (US)

(73) Assignee: **Black & Decker Inc.**, Newark, DE (US)

(**) Term: **14 Years**

(21) Appl. No.: **29/256,118**

(22) Filed: **Mar. 16, 2006**

Related U.S. Application Data

(63) Continuation of application No. 29/229,917, filed on May 13, 2005.

(51) **LOC (8) Cl.** **13-02**

(52) **U.S. Cl.** **D13/107**

(58) **Field of Classification Search** D13/107-110, D13/118-119, 184; D14/155, 251, 253, D14/432, 434; D32/73; 320/107-115
See application file for complete search history.

(56) **References Cited**

U.S. PATENT DOCUMENTS

D215,303 S *	9/1969	Koinuma	D13/108
D298,119 S *	10/1988	Richards et al.	D13/108
D298,230 S *	10/1988	Lay	D13/107
D307,016 S *	4/1990	Watanabe	D14/240
D328,276 S *	7/1992	Koinuma	D13/107

D358,821 S *	5/1995	Hellier et al.	D14/253
D361,069 S *	8/1995	Hellier et al.	D14/253
D385,530 S *	10/1997	Hames et al.	D13/107
D404,006 S *	1/1999	Clowers et al.	D13/107
D446,184 S *	8/2001	Parker	D13/107
D472,875 S *	4/2003	Garvis et al.	D13/107
D510,091 S *	9/2005	Mori et al.	D14/434

* cited by examiner

Primary Examiner—M. H. Tung

Assistant Examiner—Rosemary K. Tarcza

(74) *Attorney, Agent, or Firm*—Adan Ayala

(57) **CLAIM**

The ornamental design for a battery charger, as shown and described.

DESCRIPTION

FIG. 1 is a perspective view of a battery charger according to the invention.

FIG. 2 is a left elevational view thereof.

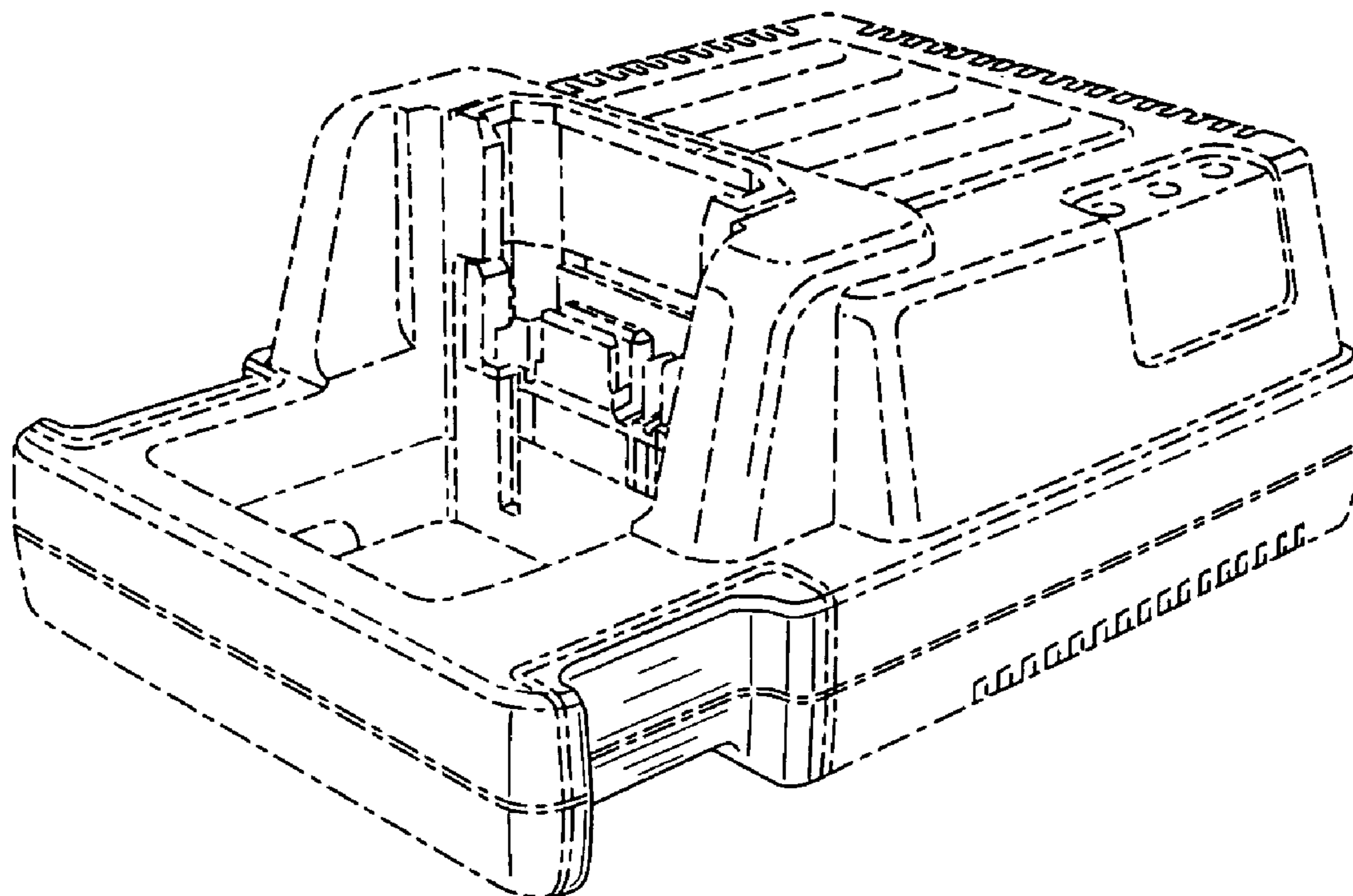
FIG. 3 is a right elevational view thereof.

FIG. 4 is a top plan view thereof; and,

FIG. 5 is a bottom plan view thereof.

In the above drawings, any broken line illustration is not part of the design sought to be patented.

1 Claim, 5 Drawing Sheets



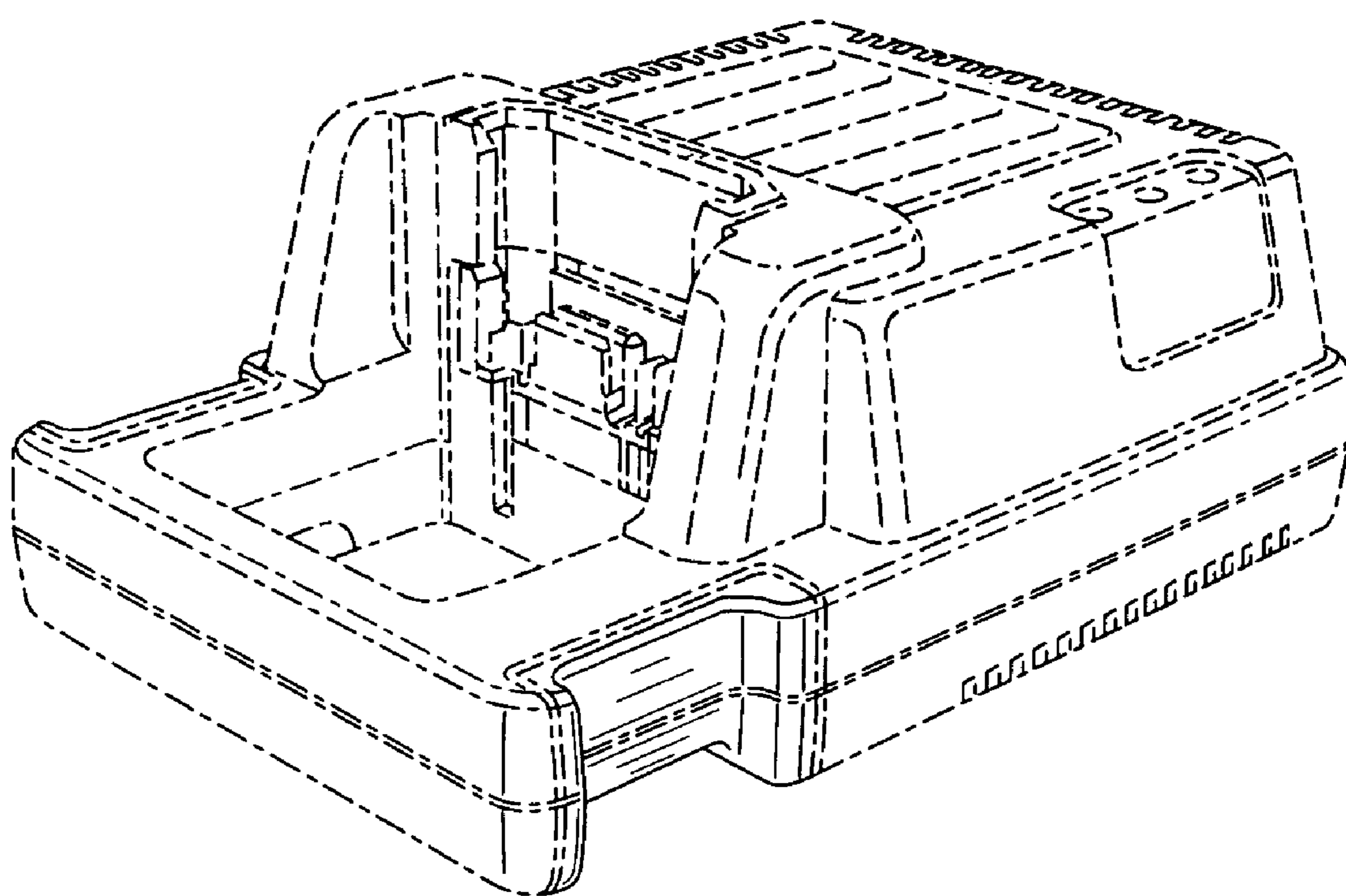


FIG. 1

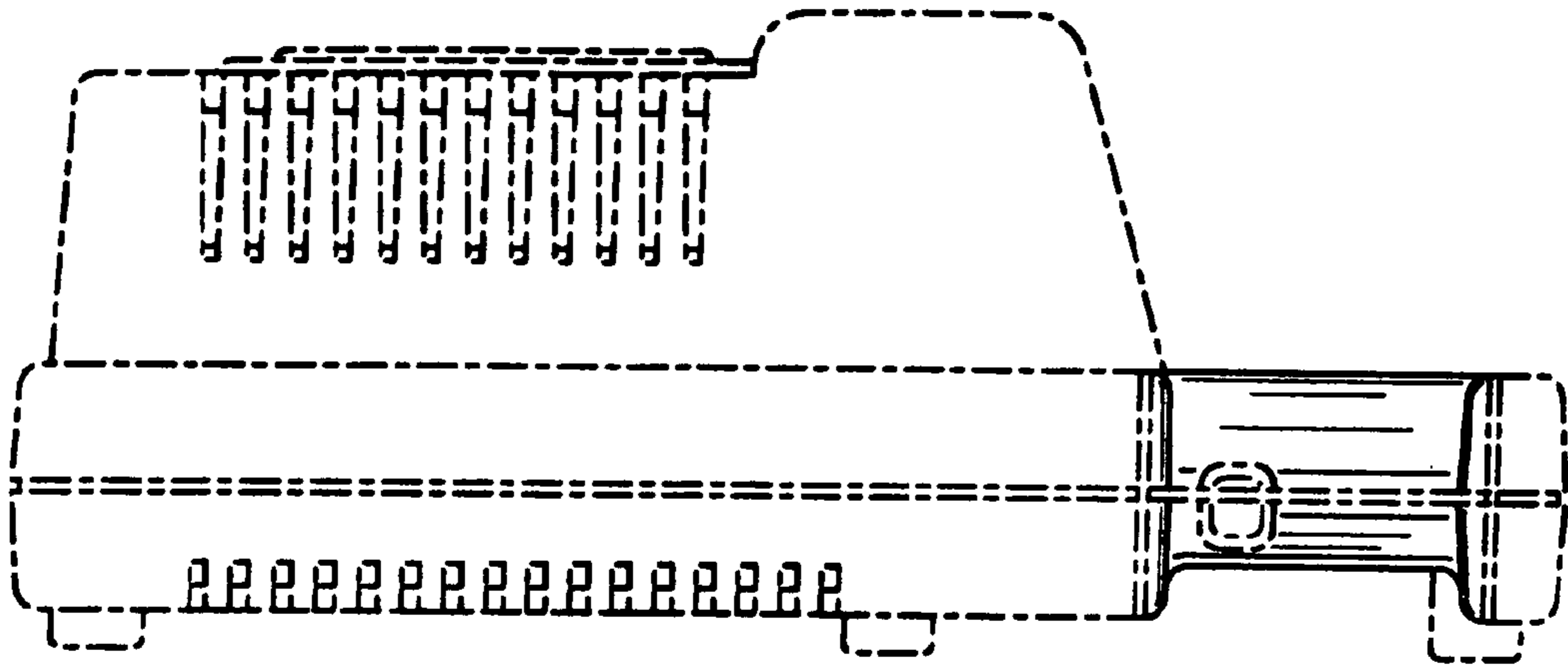


FIG. 2

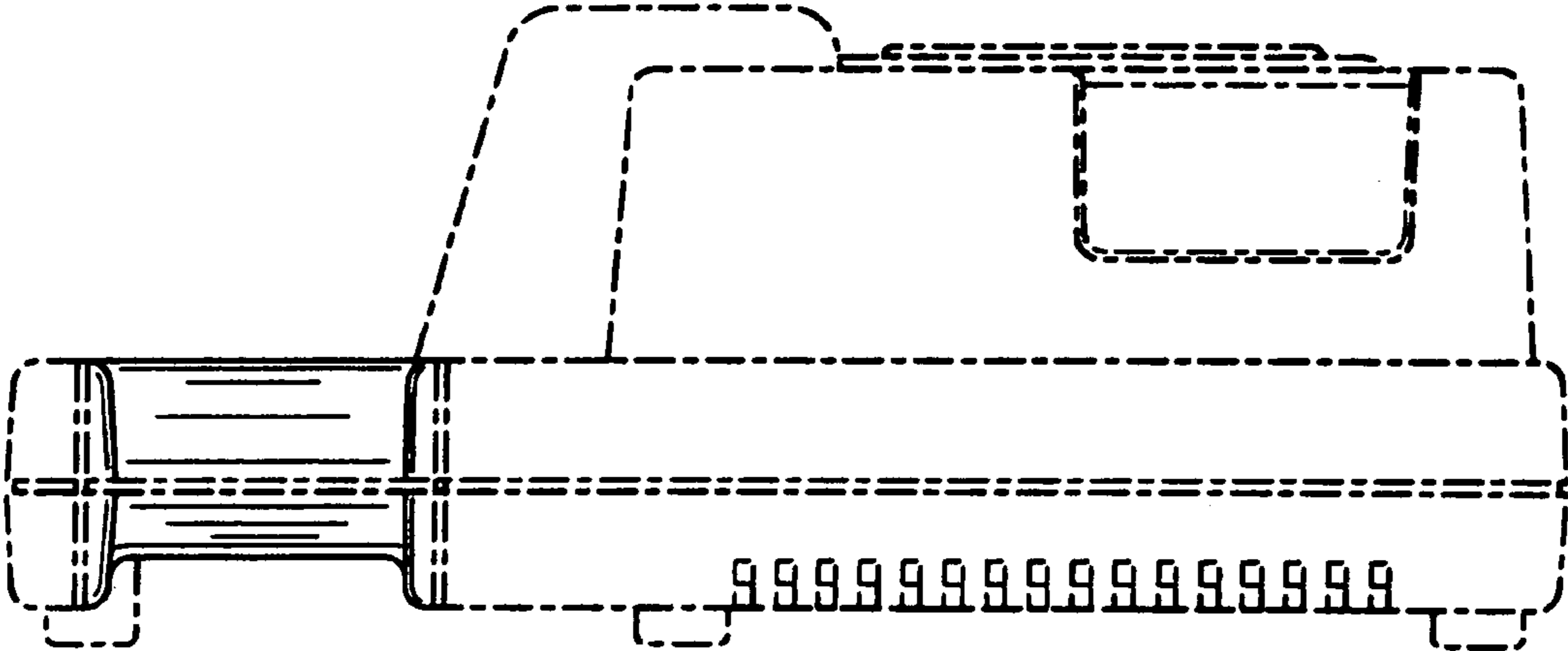


FIG. 3

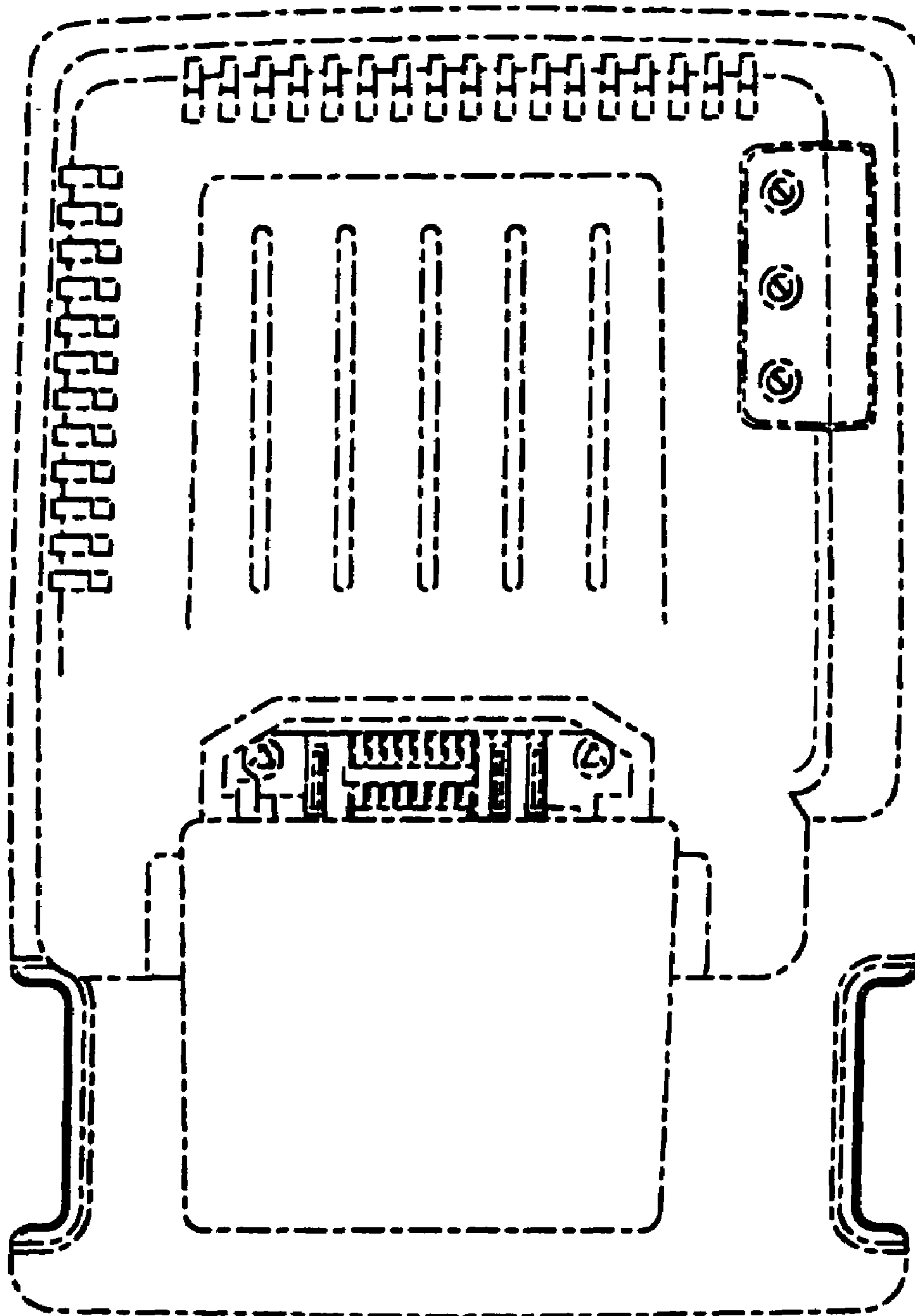


FIG. 4

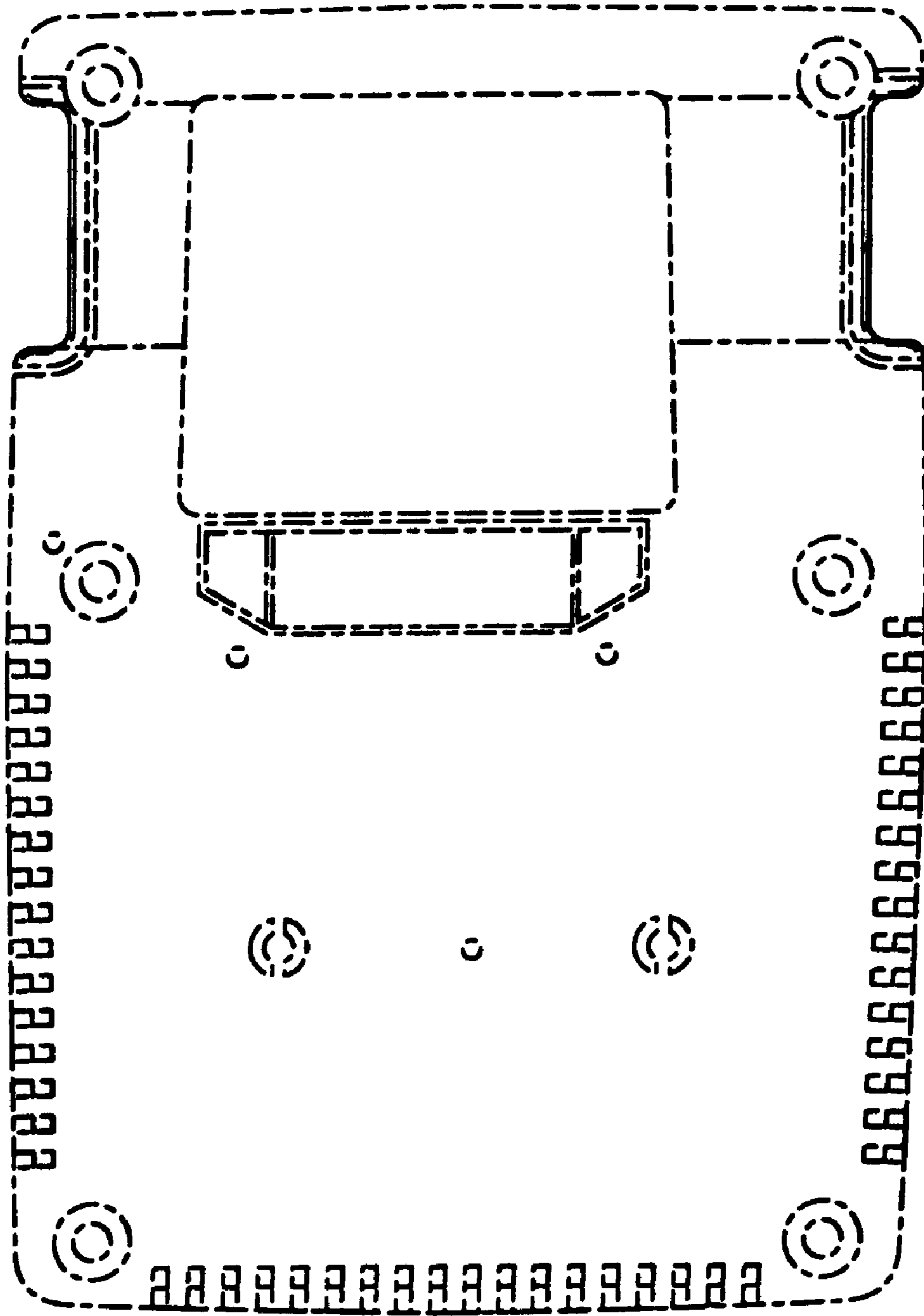


FIG. 5