



US00D549154S

(12) **United States Design Patent** (10) **Patent No.:** **US D549,154 S**  
**Panasewicz et al.** (45) **Date of Patent:** **\*\* Aug. 21, 2007**

- |   |  |
|---|--|
| <p>(54) <b>TRUCK SHELVING SYSTEM</b></p> <p>(75) Inventors: <b>Dale A. Panasewicz</b>, Strongsville, OH (US); <b>Dennis M. Futo</b>, Strongsville, OH (US)</p> <p>(73) Assignee: <b>L &amp; P Property Management Company</b>, South Gate, CA (US)</p> <p>(**) Term: <b>14 Years</b></p> <p>(21) Appl. No.: <b>29/249,664</b></p> <p>(22) Filed: <b>Oct. 17, 2006</b></p> | <p>D426,728 S 6/2000 Lara<br/> D429,095 S 8/2000 Grosfillex<br/> 6,138,583 A 10/2000 Mahone et al.<br/> 6,186,456 B1 2/2001 Marsh<br/> 6,189,945 B1 2/2001 Rockett<br/> 6,203,087 B1 3/2001 Lance et al.<br/> 6,386,412 B1 5/2002 Konechne<br/> 6,422,629 B2 7/2002 Lance et al.<br/> 6,561,601 B1 5/2003 Maffeo<br/> 6,641,236 B2 11/2003 Grudzien<br/> 6,644,712 B1 11/2003 Rafi-Zadeh<br/> D485,227 S 1/2004 Graham<br/> D498,617 S 11/2004 Murphy et al.<br/> 6,824,184 B2 11/2004 Leitner et al.<br/> D525,934 S 8/2006 Panasewicz et al.<br/> D536,659 S * 2/2007 Panasewicz et al. .... D12/424</p> |
|---|--|

**Related U.S. Application Data**

- (62) Division of application No. 29/239,286, filed on Sep. 28, 2005, now Pat. No. Des. 536,659.
- (51) **LOC (8) Cl.** ..... **12-16**
- (52) **U.S. Cl.** ..... **D12/424**
- (58) **Field of Classification Search** ..... D12/414.1, D12/414, 406, 423-425; D6/474, 477, 478-479, D6/436, 432, 414, 465, 514; 296/37.6; 224/403; 312/311, 216
- See application file for complete search history.

**References Cited**

- (56) **References Cited**
- U.S. PATENT DOCUMENTS**
- |               |         |              |            |
|---------------|---------|--------------|------------|
| 2,424,217 A   | 7/1947  | Bales        |            |
| 2,978,153 A   | 4/1961  | Brindle      |            |
| 3,341,270 A   | 9/1967  | Sohl         |            |
| 4,191,436 A * | 3/1980  | Cherry       | 312/334.11 |
| 4,681,381 A   | 7/1987  | Sevey        |            |
| 5,398,987 A   | 3/1995  | Sturgis      |            |
| 5,498,048 A   | 3/1996  | Shelby, Jr.  |            |
| 5,590,939 A   | 1/1997  | Piontek      |            |
| 5,743,584 A   | 4/1998  | Lance et al. |            |
| 5,988,476 A   | 11/1999 | Olerio       |            |
| 6,007,129 A   | 12/1999 | Kearney, Jr. |            |
| D420,970 S    | 2/2000  | Sacco et al. |            |
| 6,050,660 A   | 4/2000  | Gurley       |            |
| D426,512 S    | 6/2000  | Ciuba        |            |

**OTHER PUBLICATIONS**

<http://www.capworld.com/TruckAccessories/ByManufacturer/crown.htm>, Sep. 22, 2005; 4 pgs.

\* cited by examiner

*Primary Examiner*—Stacia Cadmus  
(74) *Attorney, Agent, or Firm*—Michael Best & Friedrich LLP

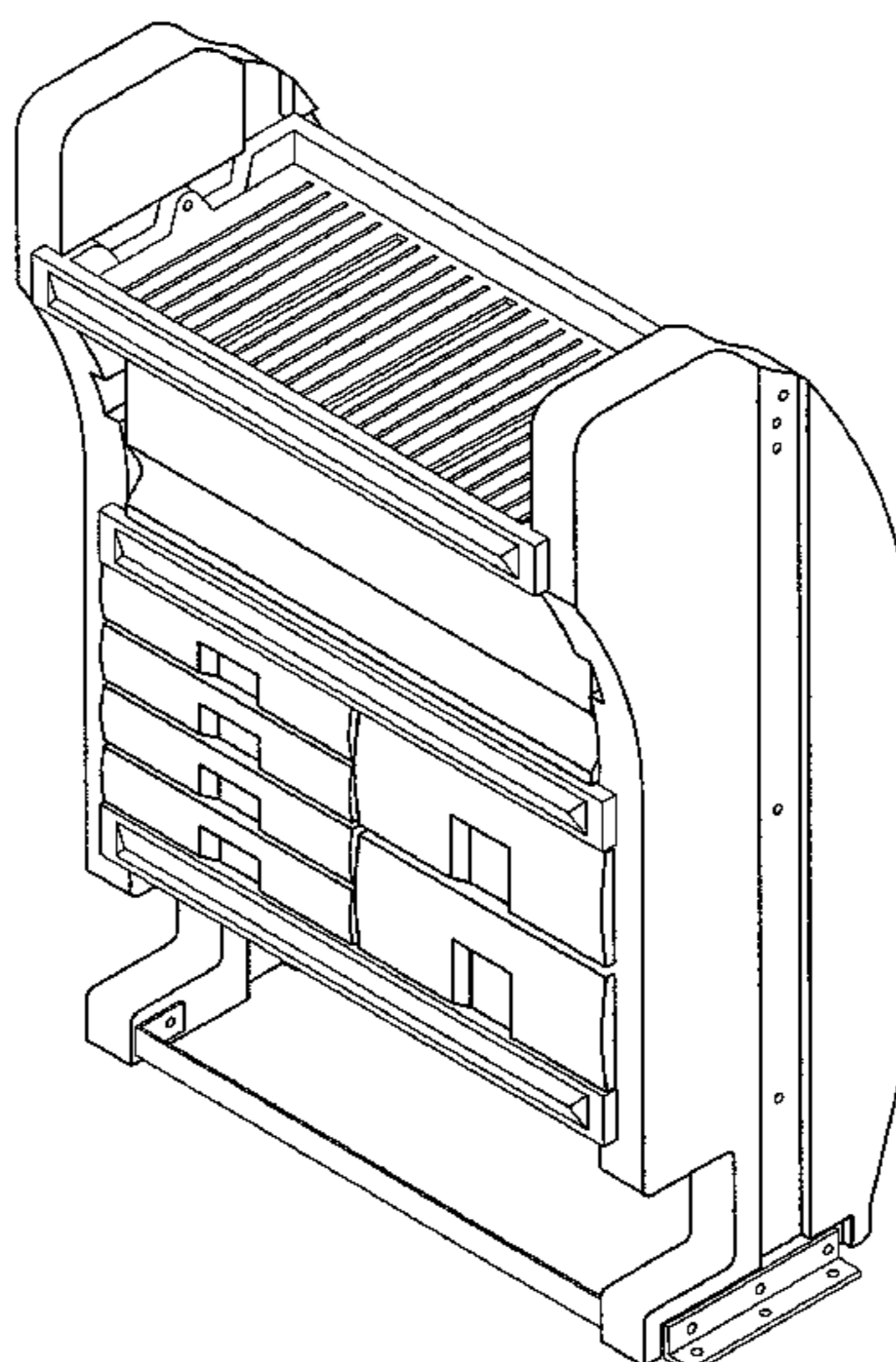
(57) **CLAIM**

The ornamental design for a truck shelving system, as shown and described.

**DESCRIPTION**

FIG. 1 is a perspective view of a truck shelving system, showing our new design;  
FIG. 2 is a front view thereof;  
FIG. 3 is a right side view thereof, it being understood that the left side is a mirror image thereof;  
FIG. 4 is a rear view thereof;  
FIG. 5 is a top view thereof; and,  
FIG. 6 is a bottom view thereof.

**1 Claim, 5 Drawing Sheets**



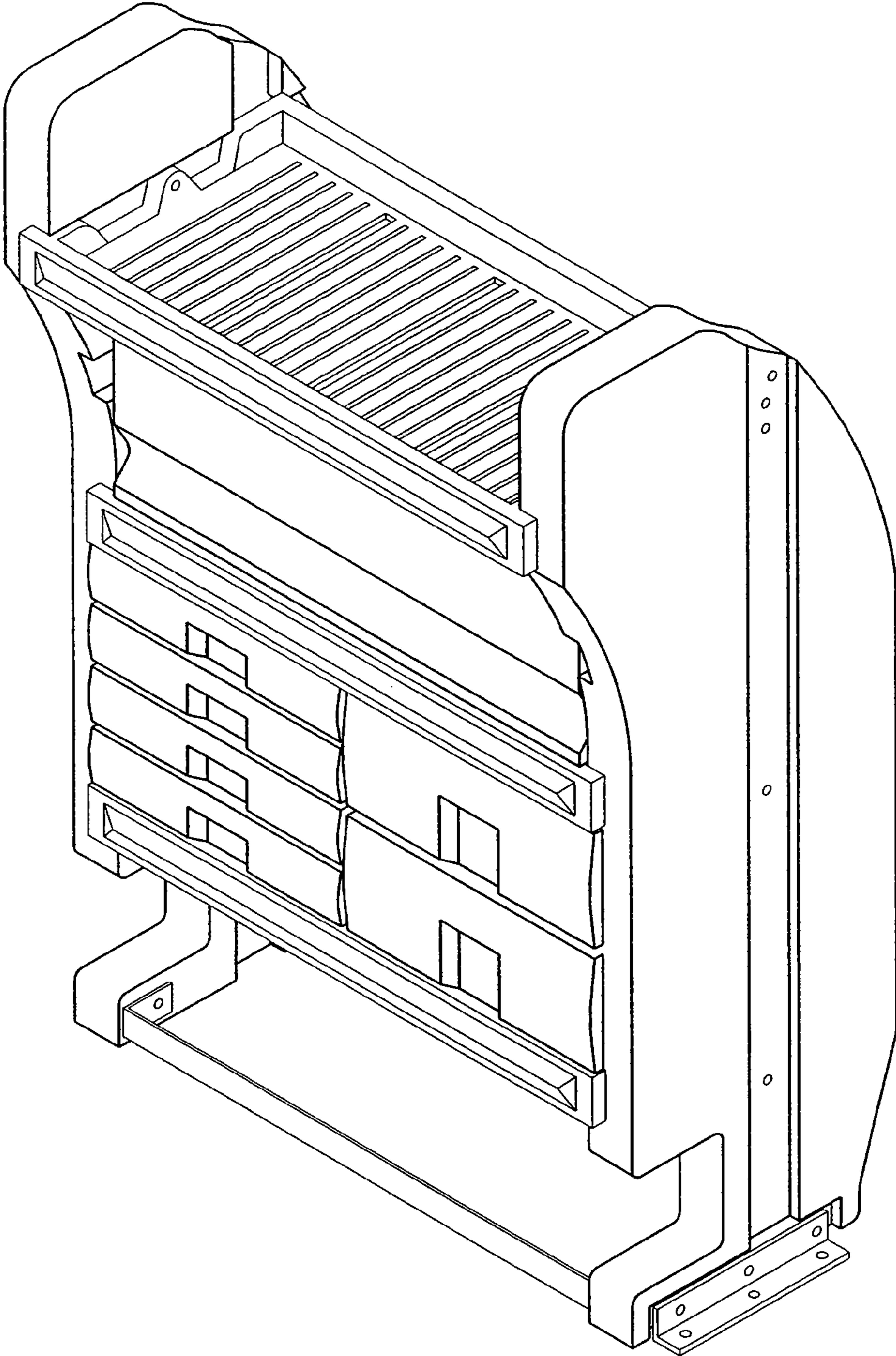


FIG. 1

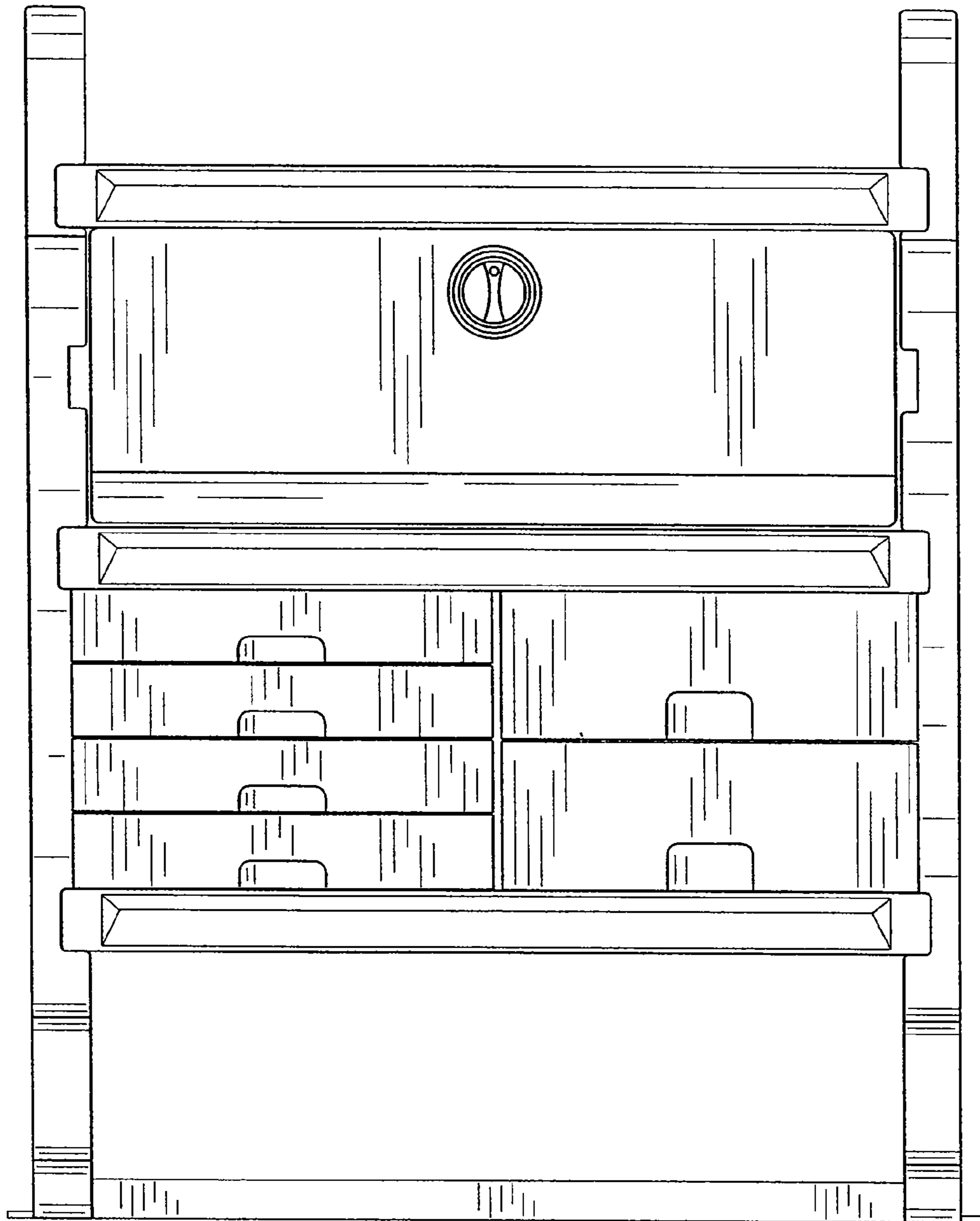


FIG. 2

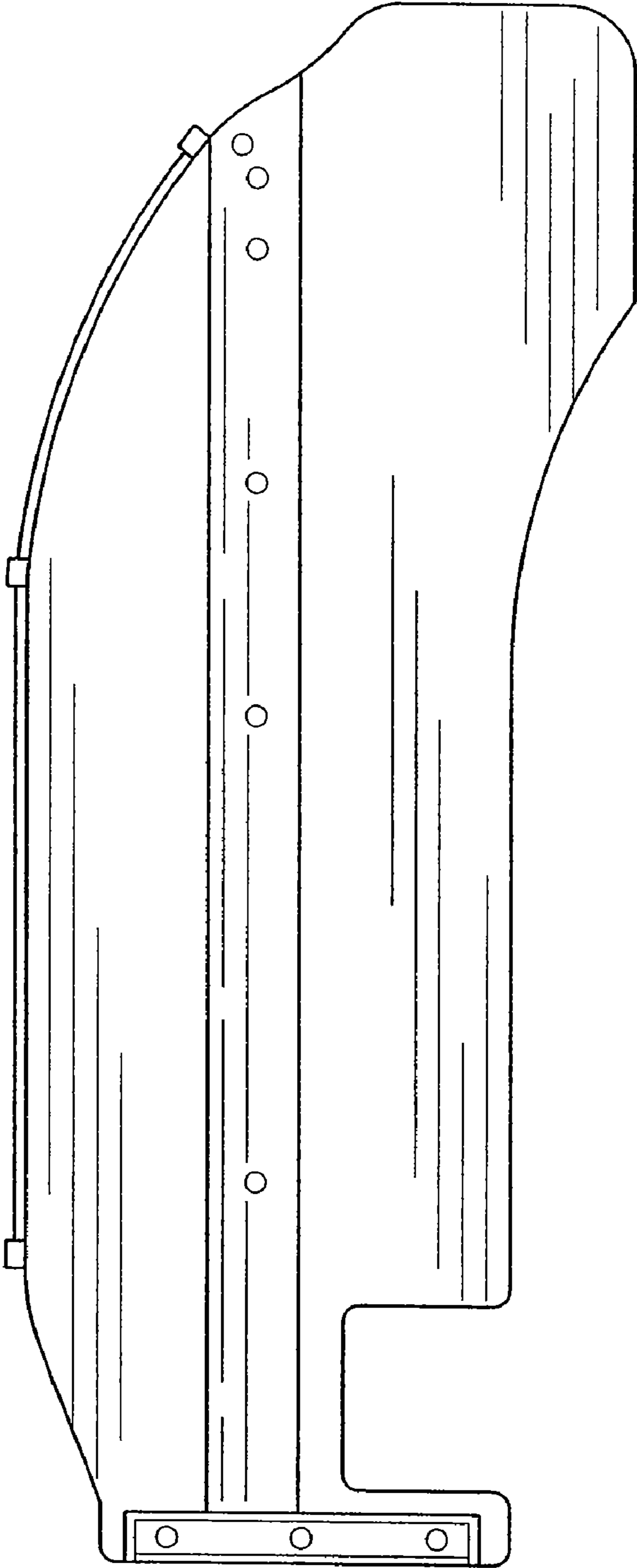


FIG. 3

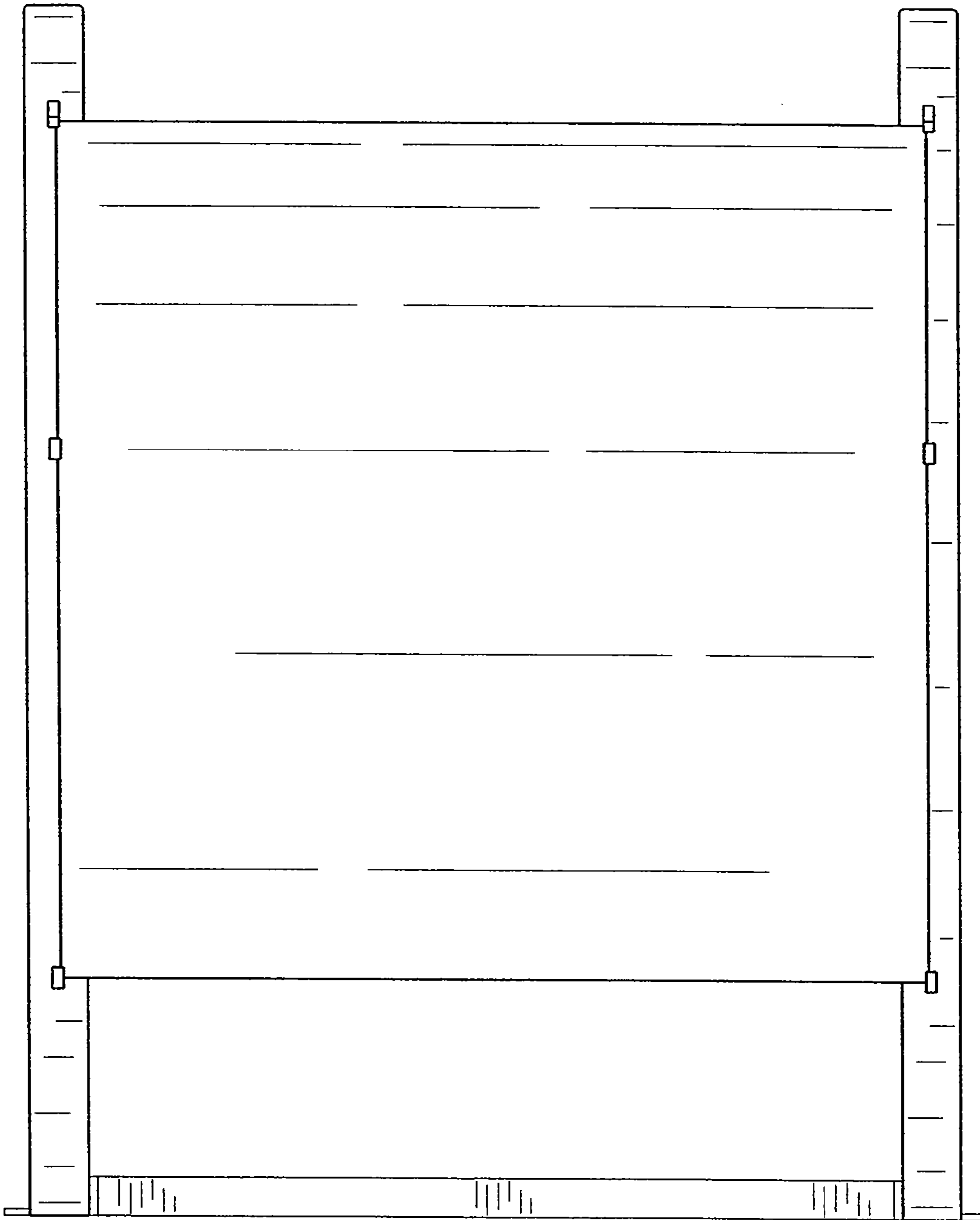


FIG. 4



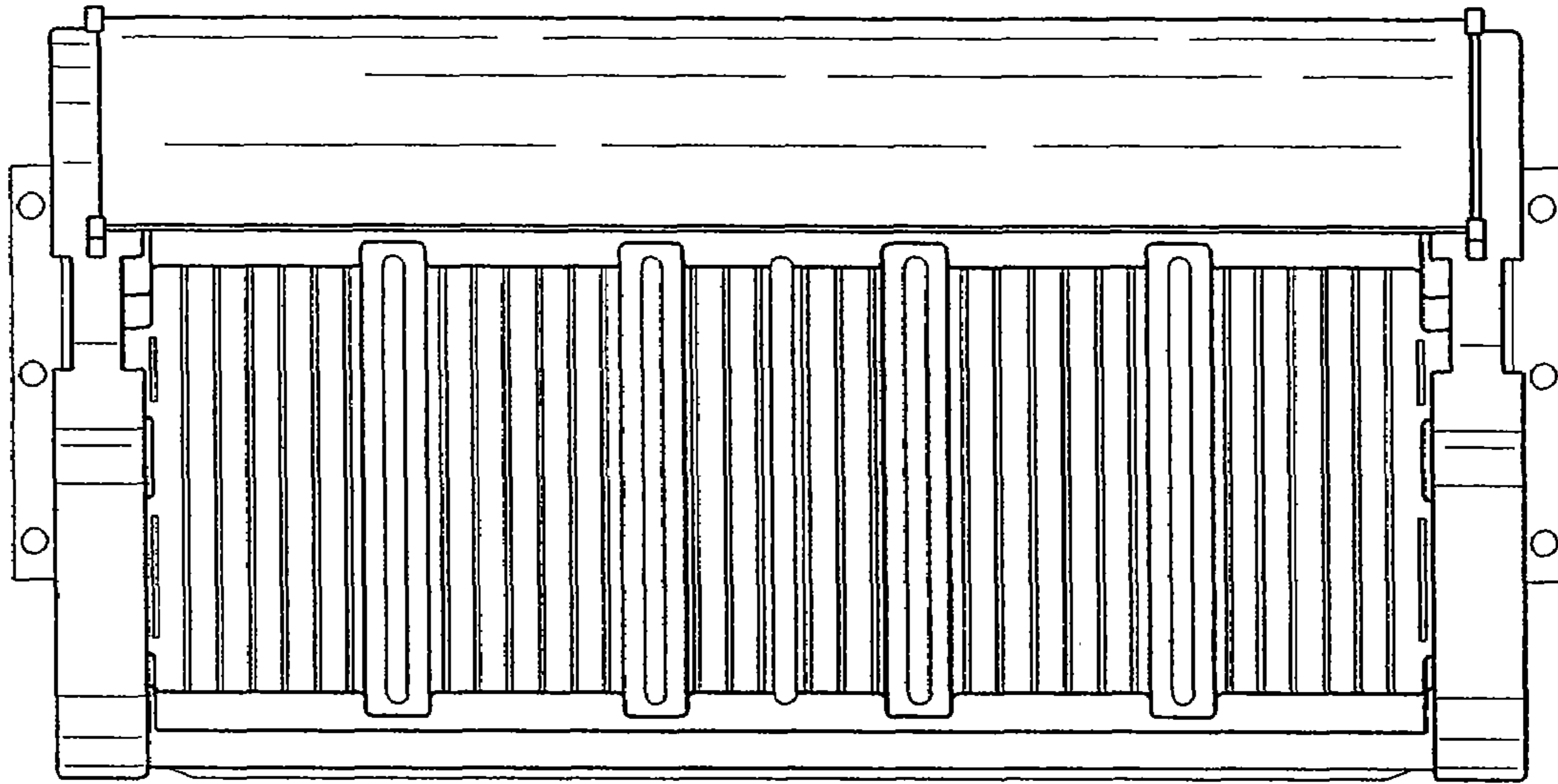


FIG. 5

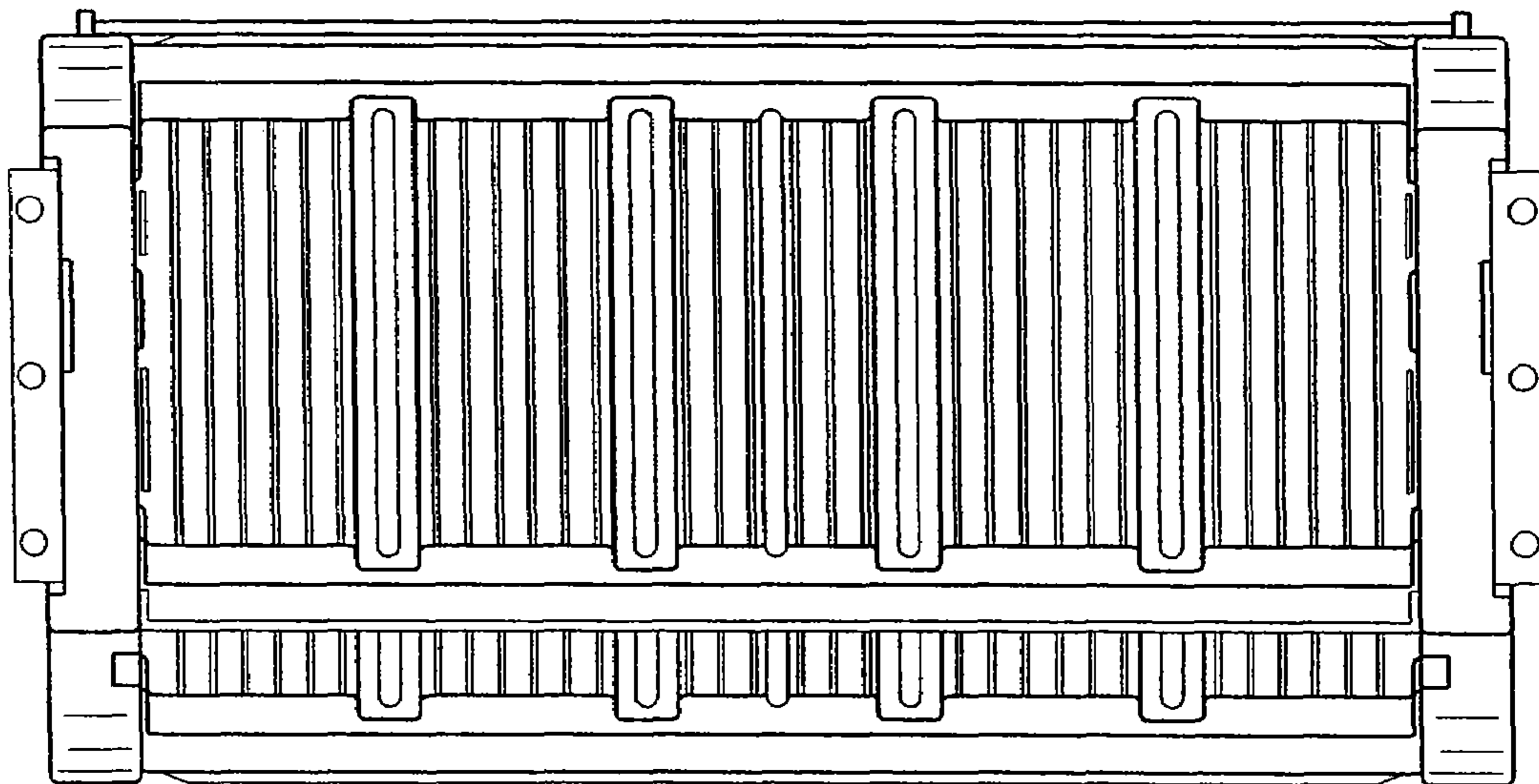


FIG. 6