



US00D549150S

(12) **United States Design Patent**  
**Young**

(10) **Patent No.:** **US D549,150 S**

(45) **Date of Patent:** **\*\* Aug. 21, 2007**

(54) **AUTOMOTIVE WHEEL**

(75) Inventor: **Philip B. Young**, Industry, CA (US)

(73) Assignee: **Master Pacific**, Shanghai (CN)

(\*\*) Term: **14 Years**

(21) Appl. No.: **29/273,280**

(22) Filed: **Mar. 2, 2007**

(51) **LOC (8) Cl.** ..... **12-16**

(52) **U.S. Cl.** ..... **D12/211**

(58) **Field of Classification Search** ..... D12/204-213;  
301/37.101, 64.101, 65

See application file for complete search history.

(56) **References Cited**

**U.S. PATENT DOCUMENTS**

D433,659 S	*	11/2000	Frizzi	.....	D12/211
D466,853 S	*	12/2002	Maifrini	.....	D12/211
D476,283 S	*	6/2003	Baumgartner	.....	D12/211
D488,420 S	*	4/2004	Murkett et al.	.....	D12/209
D489,309 S	*	5/2004	Laengerer	.....	D12/211
D503,919 S	*	4/2005	Cahyono	.....	D12/211

D506,428 S	*	6/2005	Hussaini et al.	.....	D12/209
D516,982 S	*	3/2006	Gallert	.....	D12/209
D527,335 S	*	8/2006	Kim	.....	D12/211
D533,825 S	*	12/2006	Baumgartner	.....	D12/211
D536,654 S	*	2/2007	Moruzzi	.....	D12/211
D540,239 S	*	4/2007	Pfeiffer	.....	D12/211
D542,208 S	*	5/2007	Gallert et al.	.....	D12/211

\* cited by examiner

*Primary Examiner*—Stacia Cadmus

(57) **CLAIM**

The ornamental design for an automotive wheel, as shown and described.

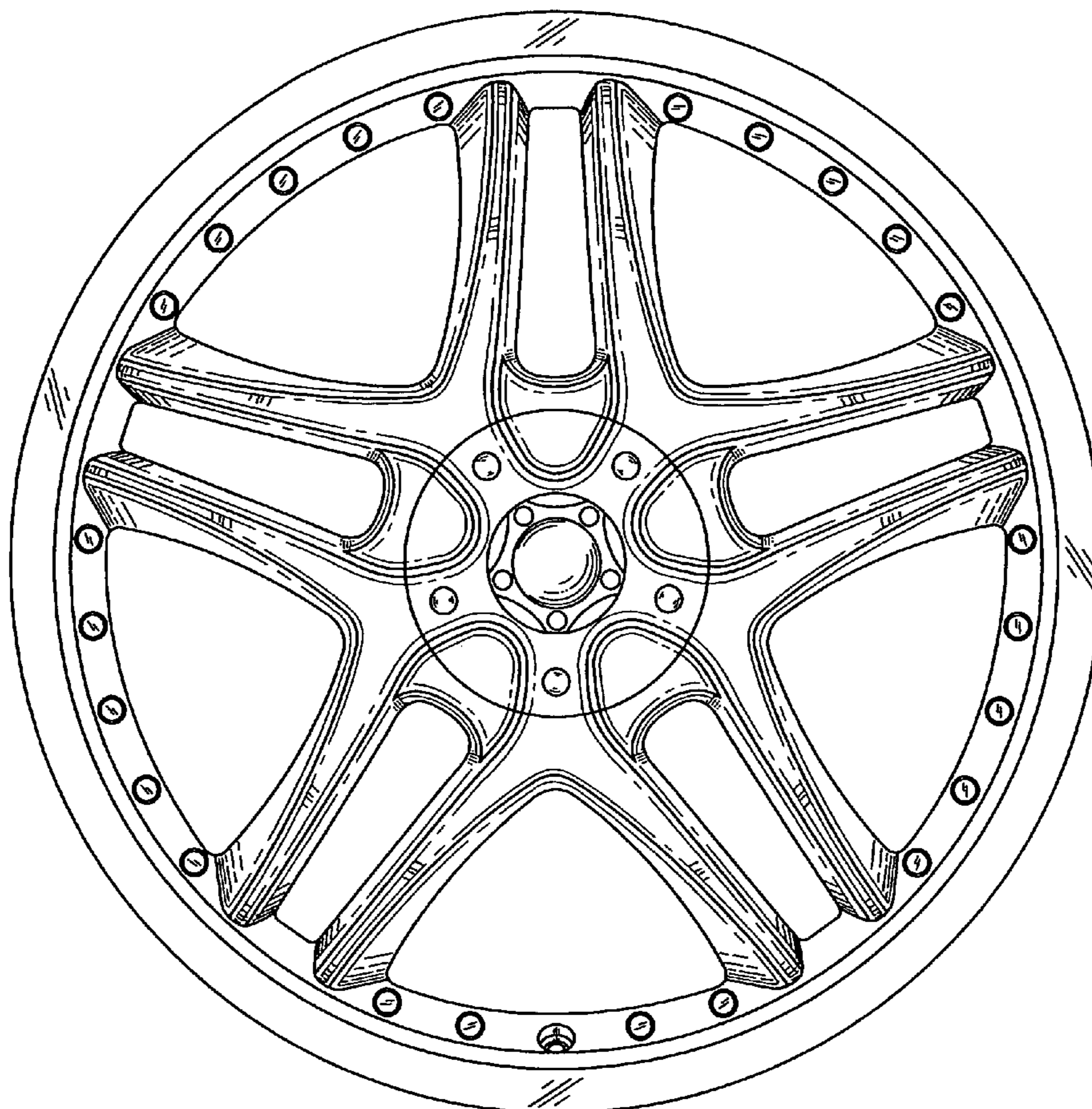
**DESCRIPTION**

FIG. 1 is a perspective view of an automotive wheel showing my new design; and,

FIG. 2 is a front elevational view of an automotive wheel showing the design herein described.

The broken lines showing the environment are for illustrative purposes only, and form no part of the claimed design.

**1 Claim, 2 Drawing Sheets**



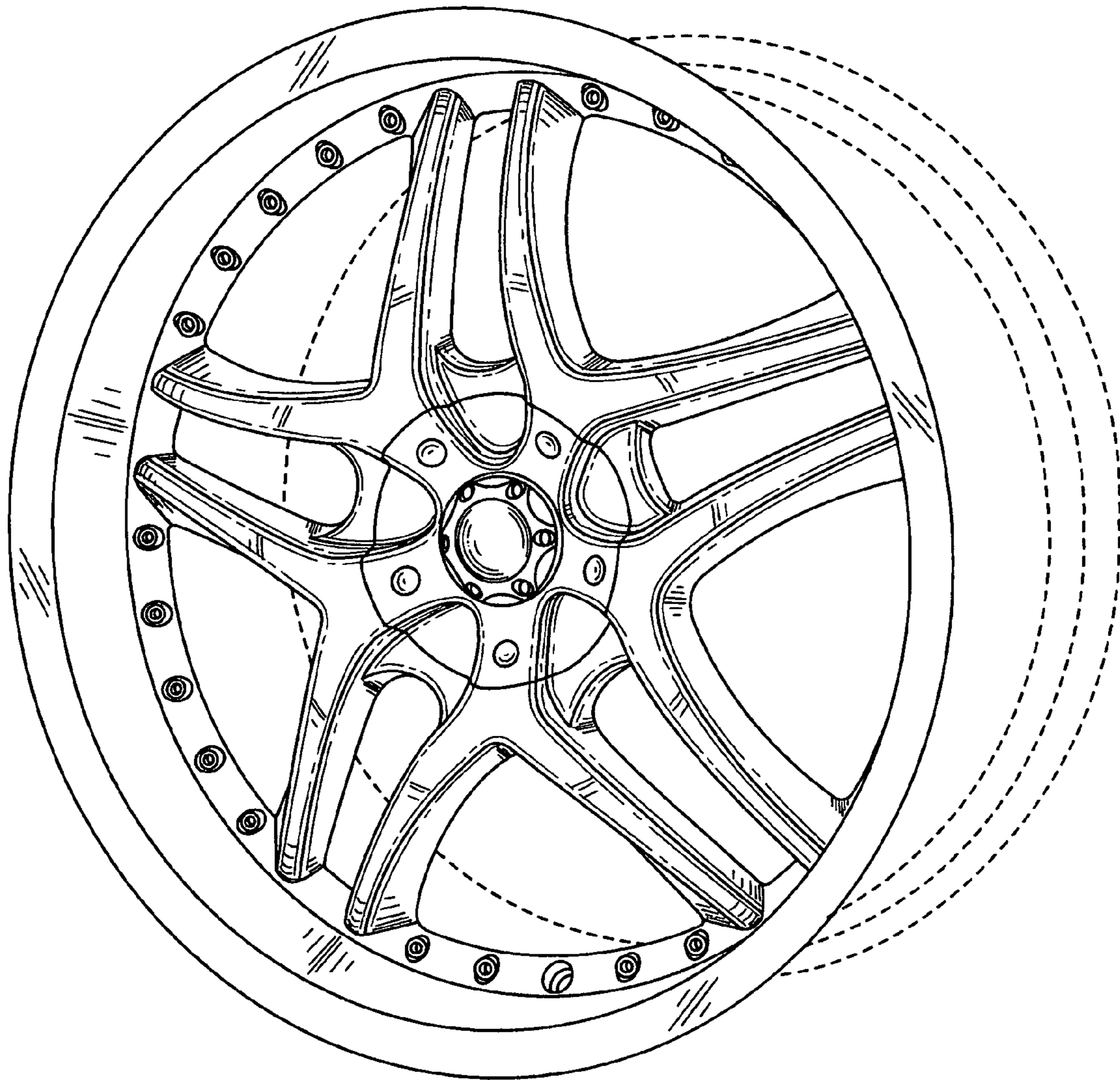


Fig. 1

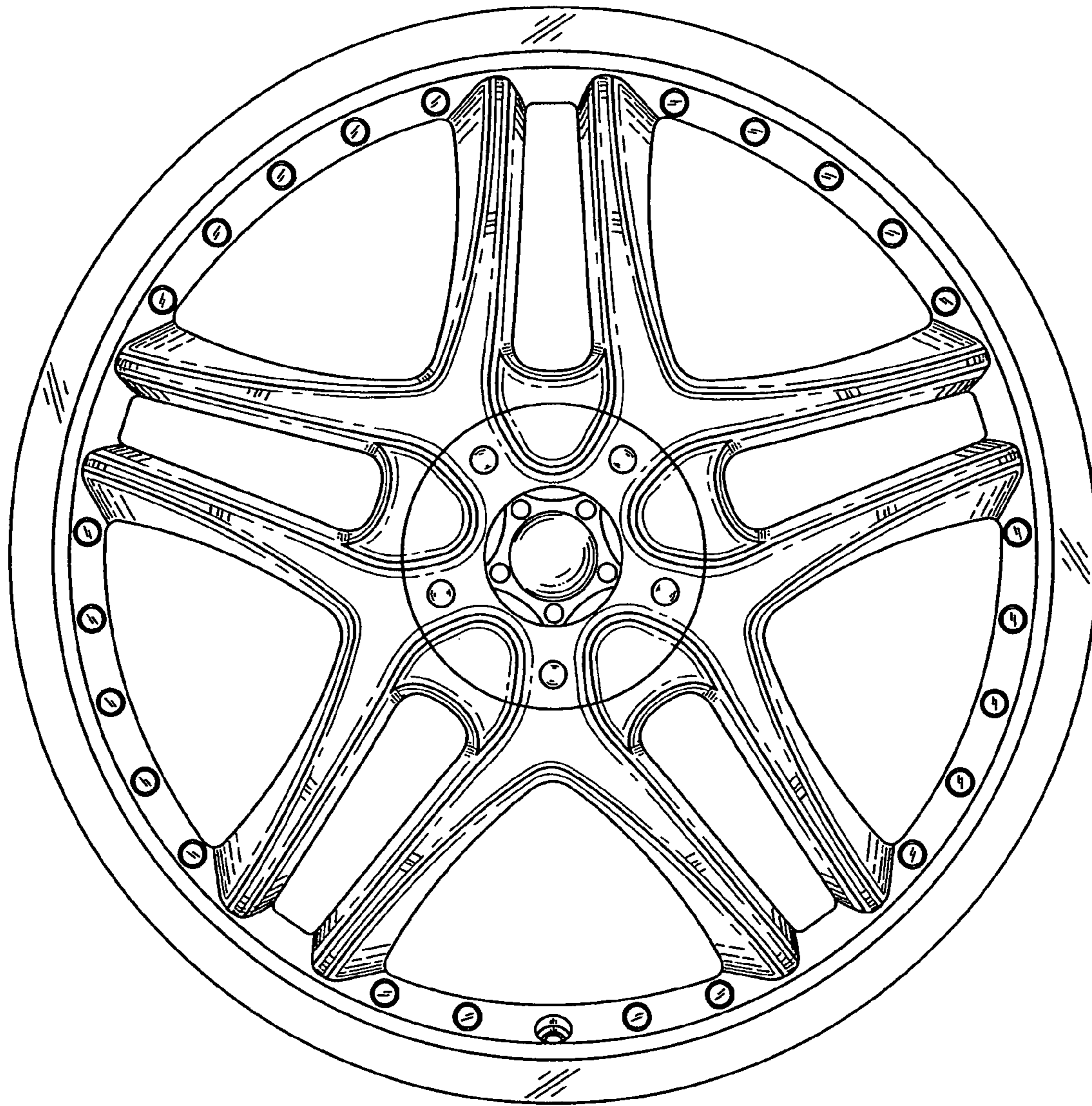


Fig. 2