



US00D549148S

(12) **United States Design Patent**
Buschmann

(10) **Patent No.:** **US D549,148 S**

(45) **Date of Patent:** **** Aug. 21, 2007**

- (54) **RIM**
- (75) Inventor: **Bodo Buschmann**, Bottrop (DE)
- (73) Assignee: **Brabus GmbH** (DE)
- (**) Term: **14 Years**
- (21) Appl. No.: **29/265,474**
- (22) Filed: **Aug. 31, 2006**

(30) **Foreign Application Priority Data**

Mar. 1, 2006 (EM) 000486634

- (51) **LOC (8) Cl.** **12-16**
- (52) **U.S. Cl.** **D12/209**
- (58) **Field of Classification Search** D12/204-213;
301/37.101, 64.101, 65
See application file for complete search history.

(56) **References Cited**

U.S. PATENT DOCUMENTS

- D451,066 S * 11/2001 Pfeiffer et al. D12/211
- D480,346 S * 10/2003 Kataoka D12/209
- D481,346 S * 10/2003 Vian D12/211
- D482,647 S * 11/2003 Lecher et al. D12/211
- D518,430 S * 4/2006 Scheu D12/211

- D525,185 S * 7/2006 Scheu D12/211
- D527,699 S * 9/2006 Kiesel D12/209
- D531,561 S * 11/2006 Kanai D12/209

* cited by examiner

Primary Examiner—Stacia Cadmus

(74) *Attorney, Agent, or Firm*—Robert W Becker & Associates; Robert W Becker

(57) **CLAIM**

The ornamental design for a rim, as shown and described.

DESCRIPTION

FIG. 1 is a perspective view of the first embodiment of my rim;

FIG. 2 is a front view thereof showing my new design;

FIG. 3 is a right side view thereof showing my new design;

FIG. 4 is a left side view thereof showing my new design;

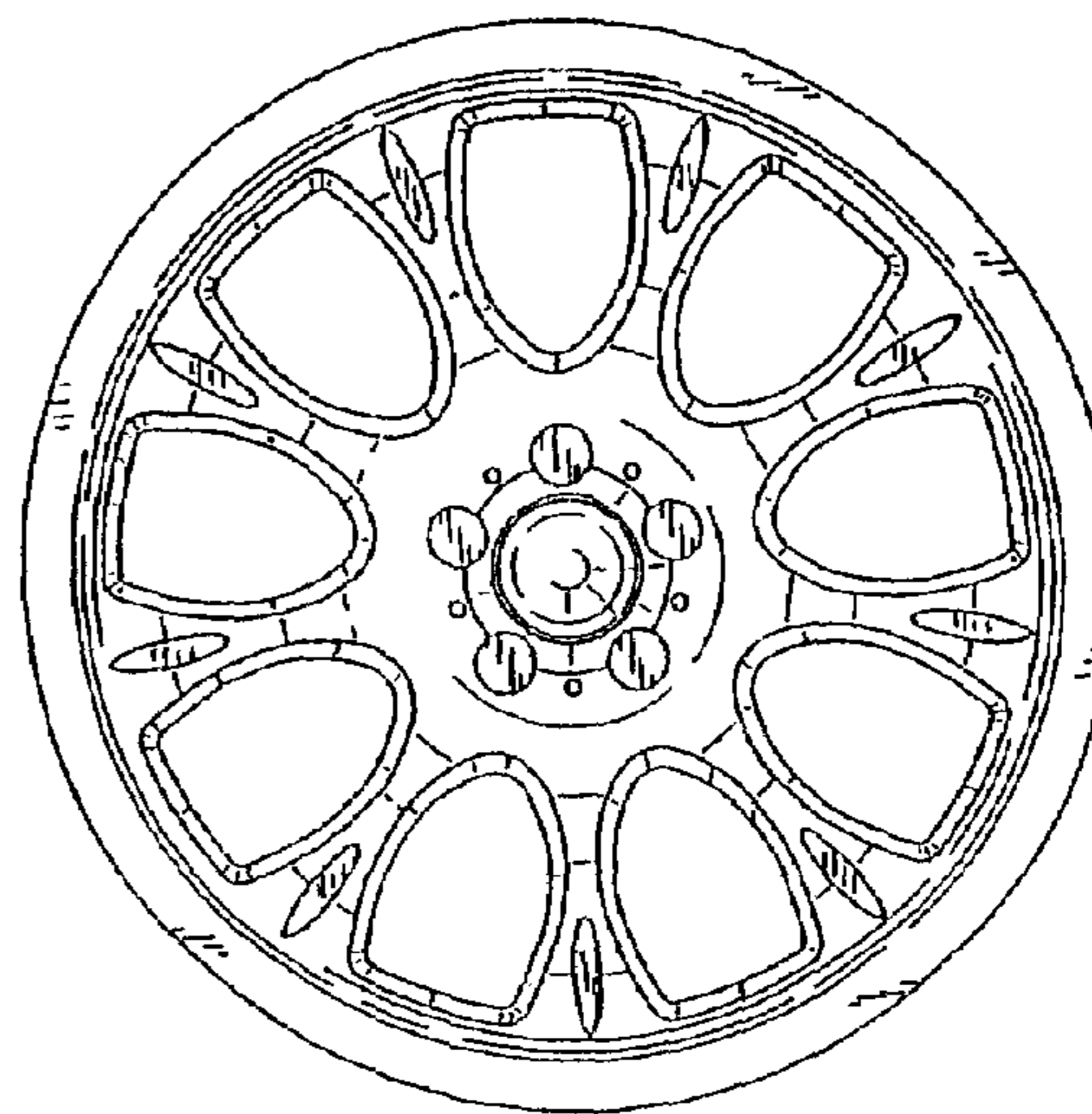
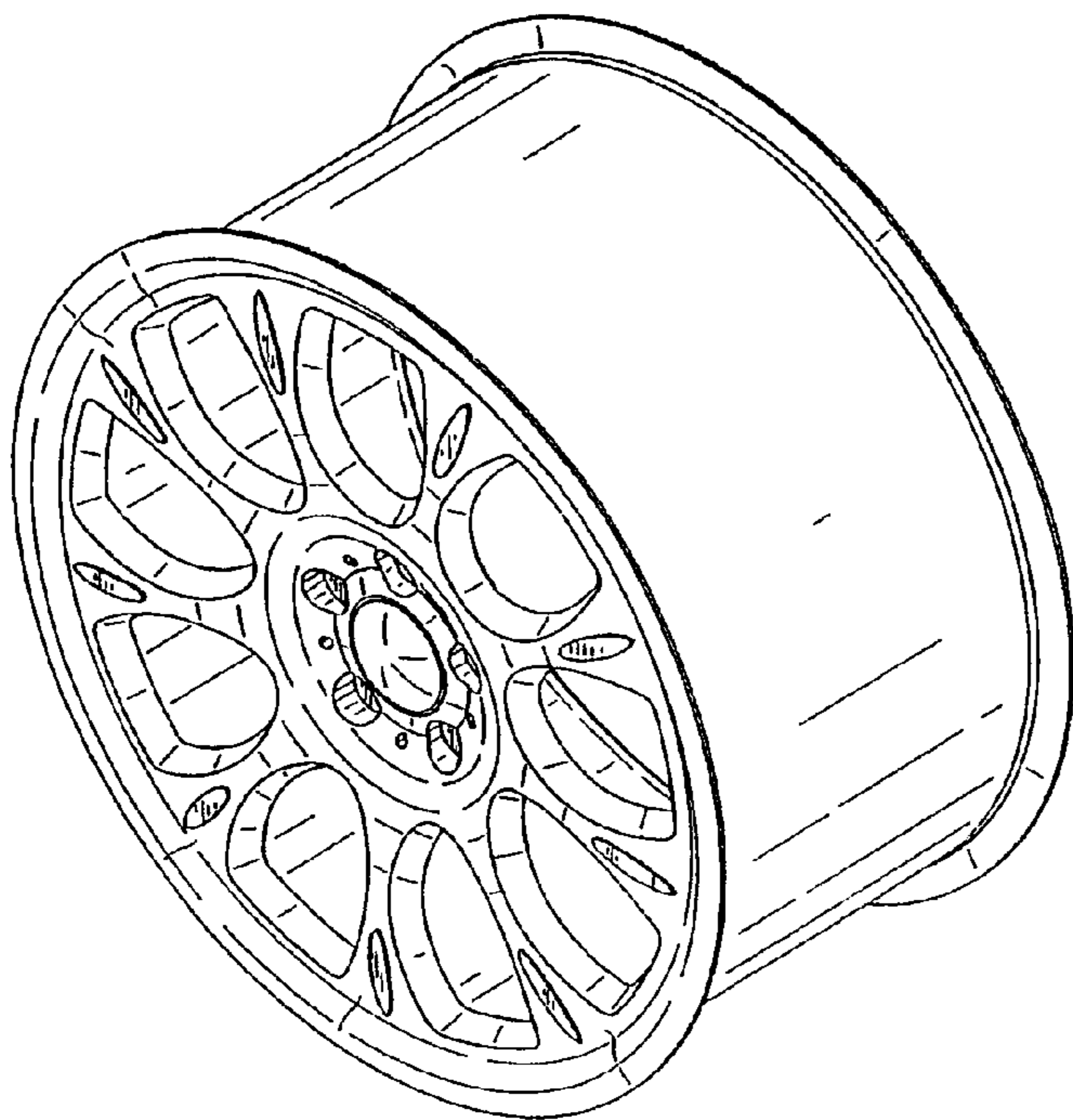
FIG. 5 is a top view thereof showing my new design;

FIG. 6 is a bottom view thereof showing my new design;

FIG. 7 is a perspective view of a second embodiment showing my new design; and,

FIG. 8 is a front view thereof showing my new design.

1 Claim, 5 Drawing Sheets



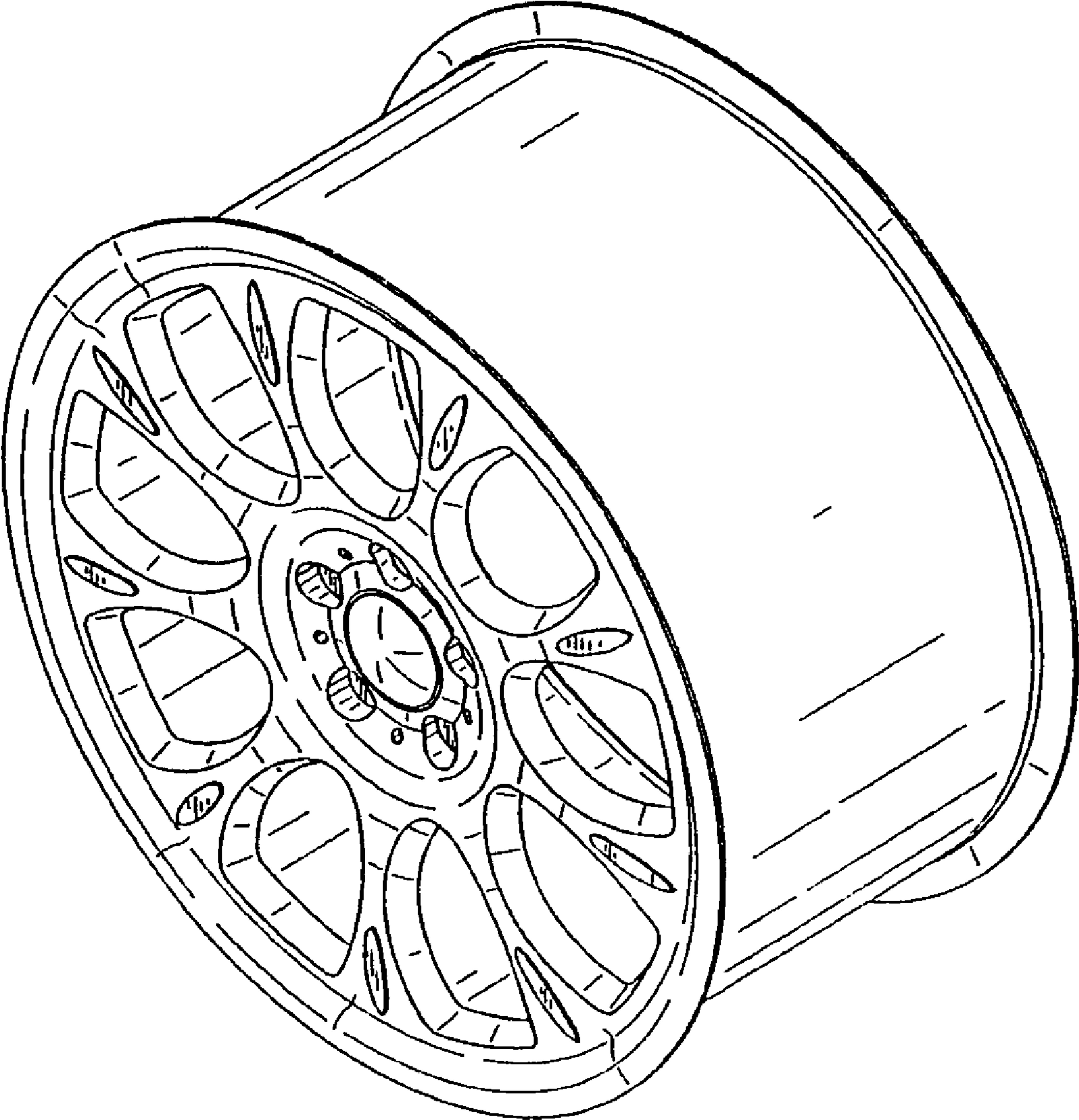


FIG.1

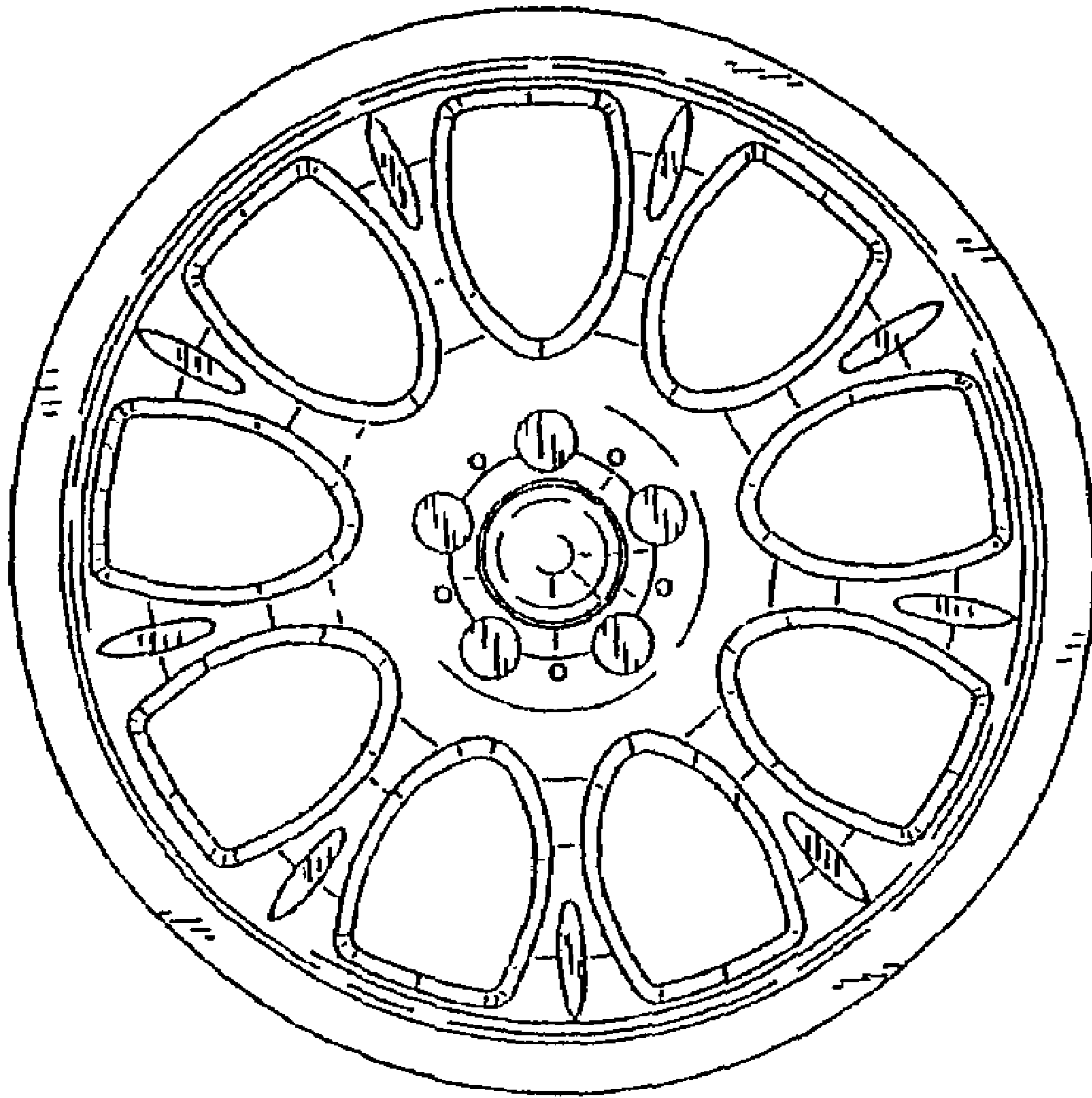


FIG.2

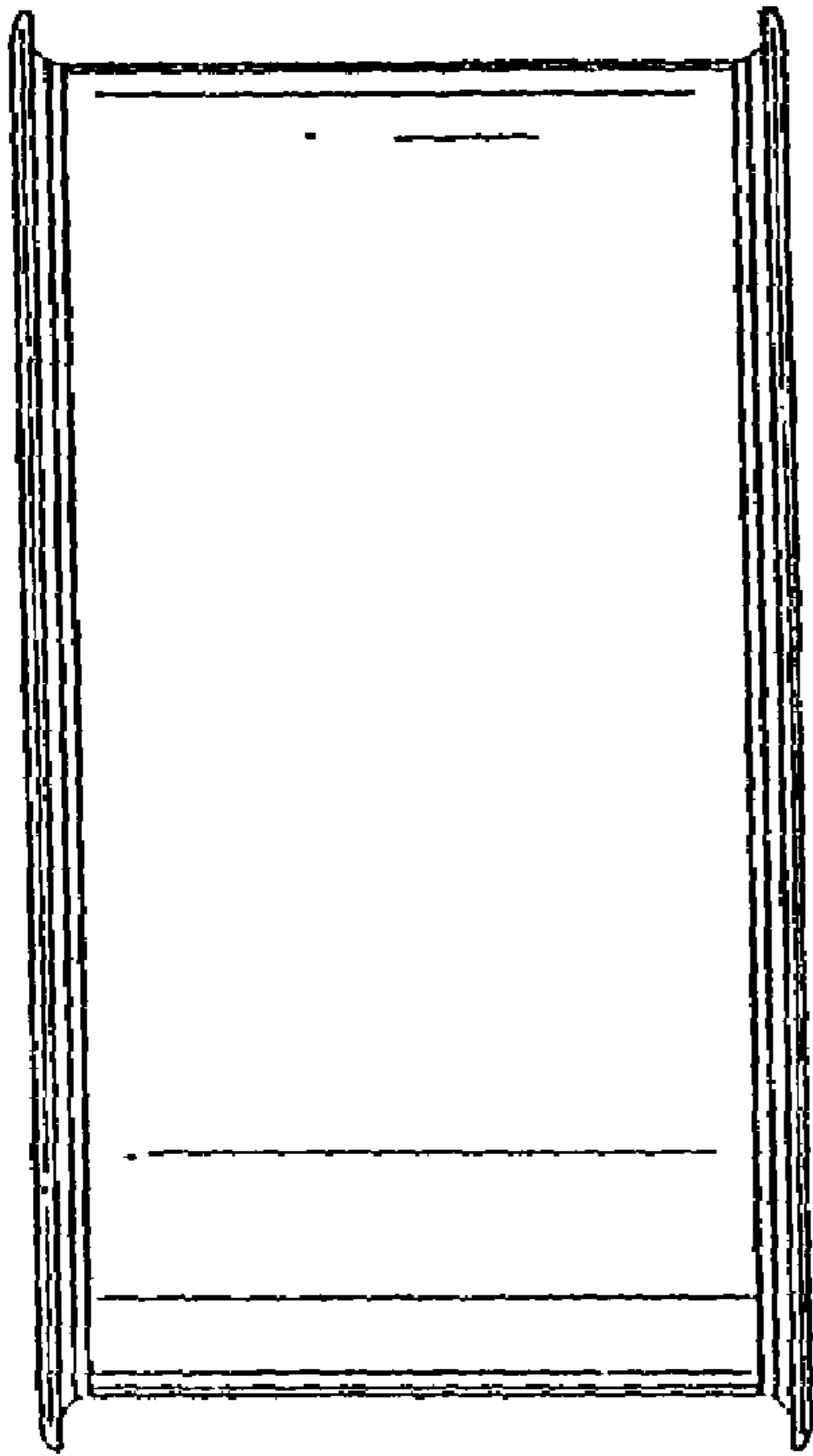


FIG. 3

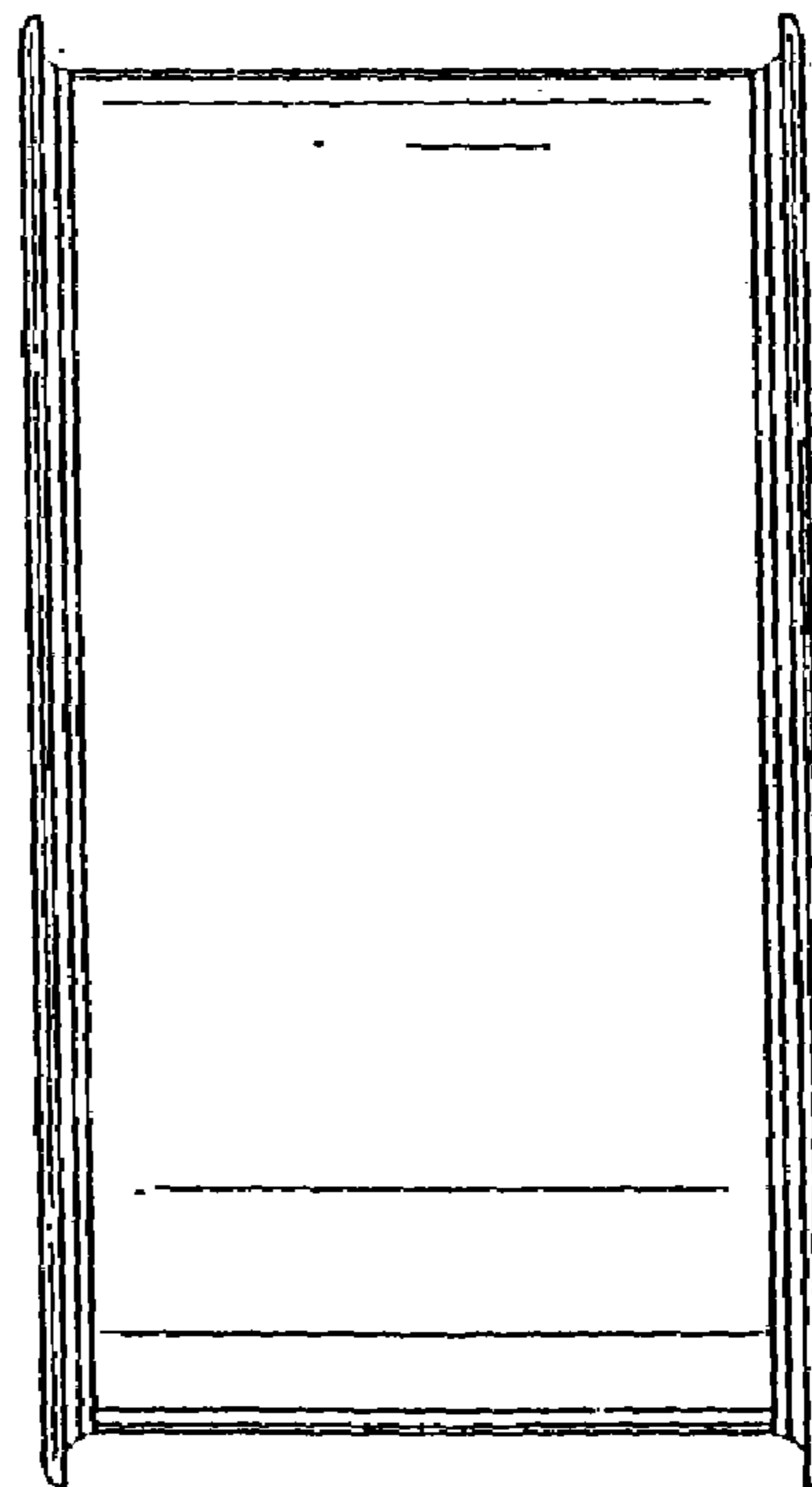


FIG. 4

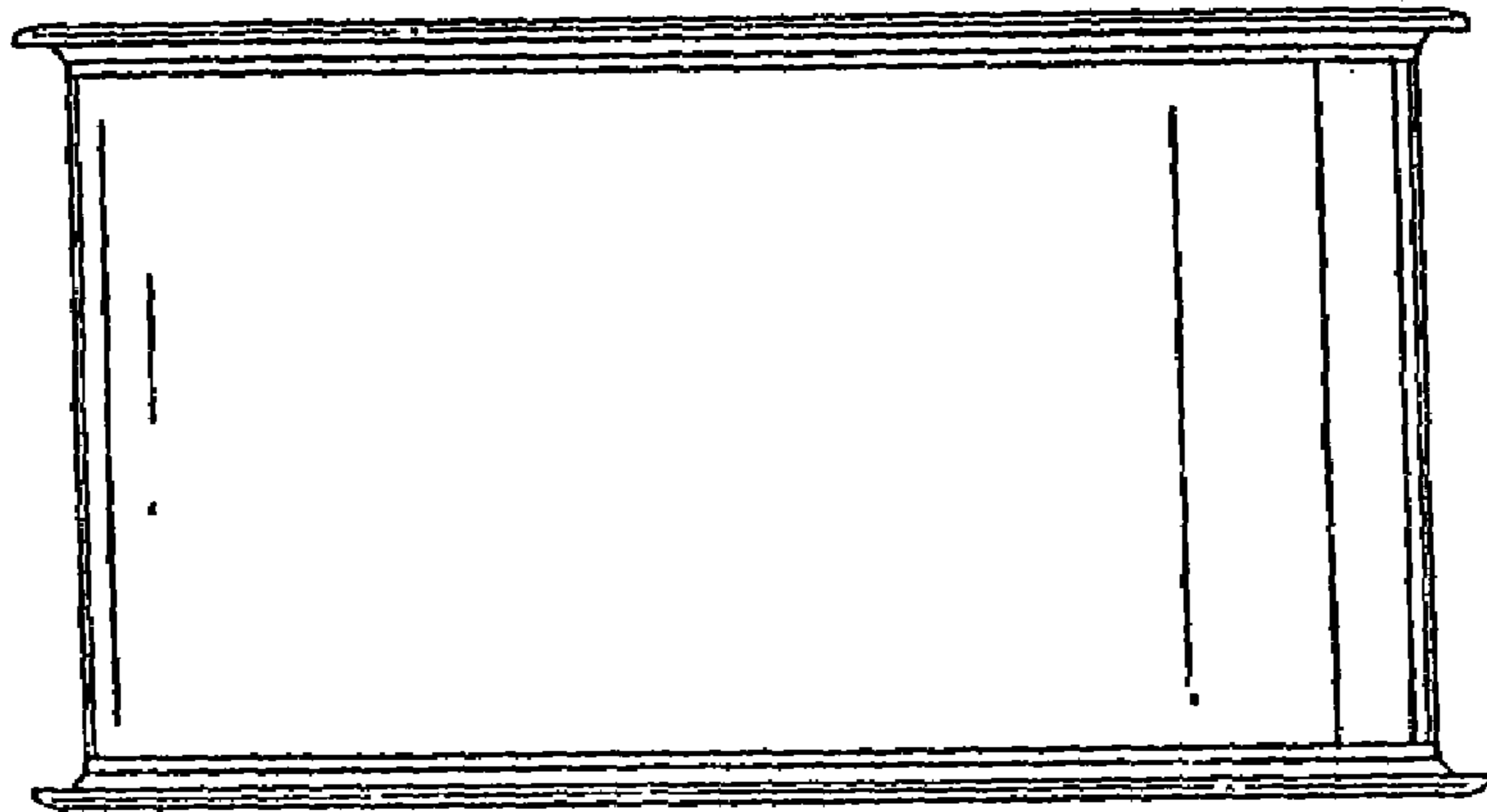


FIG. 5

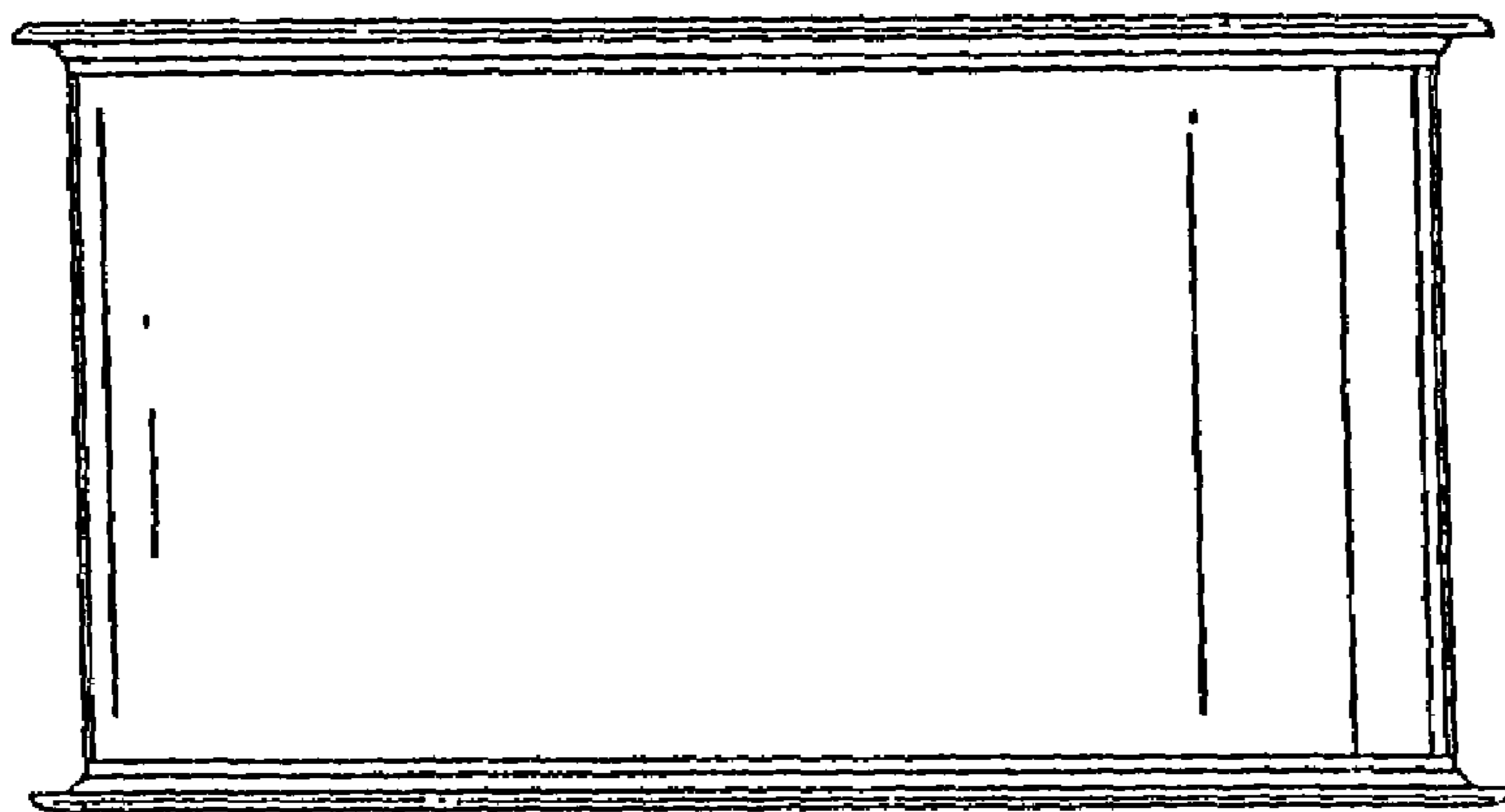


FIG. 6

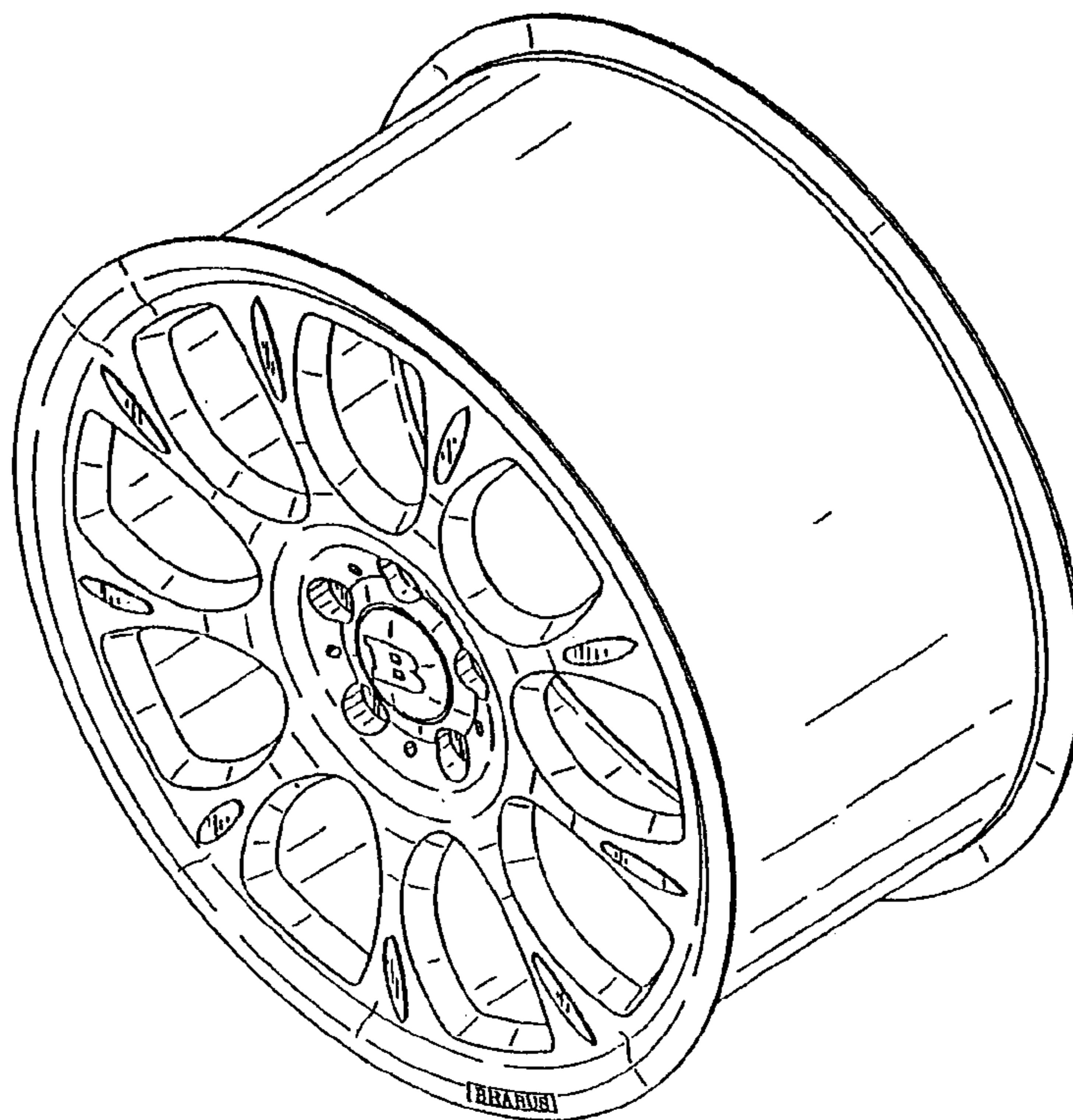


FIG. 7

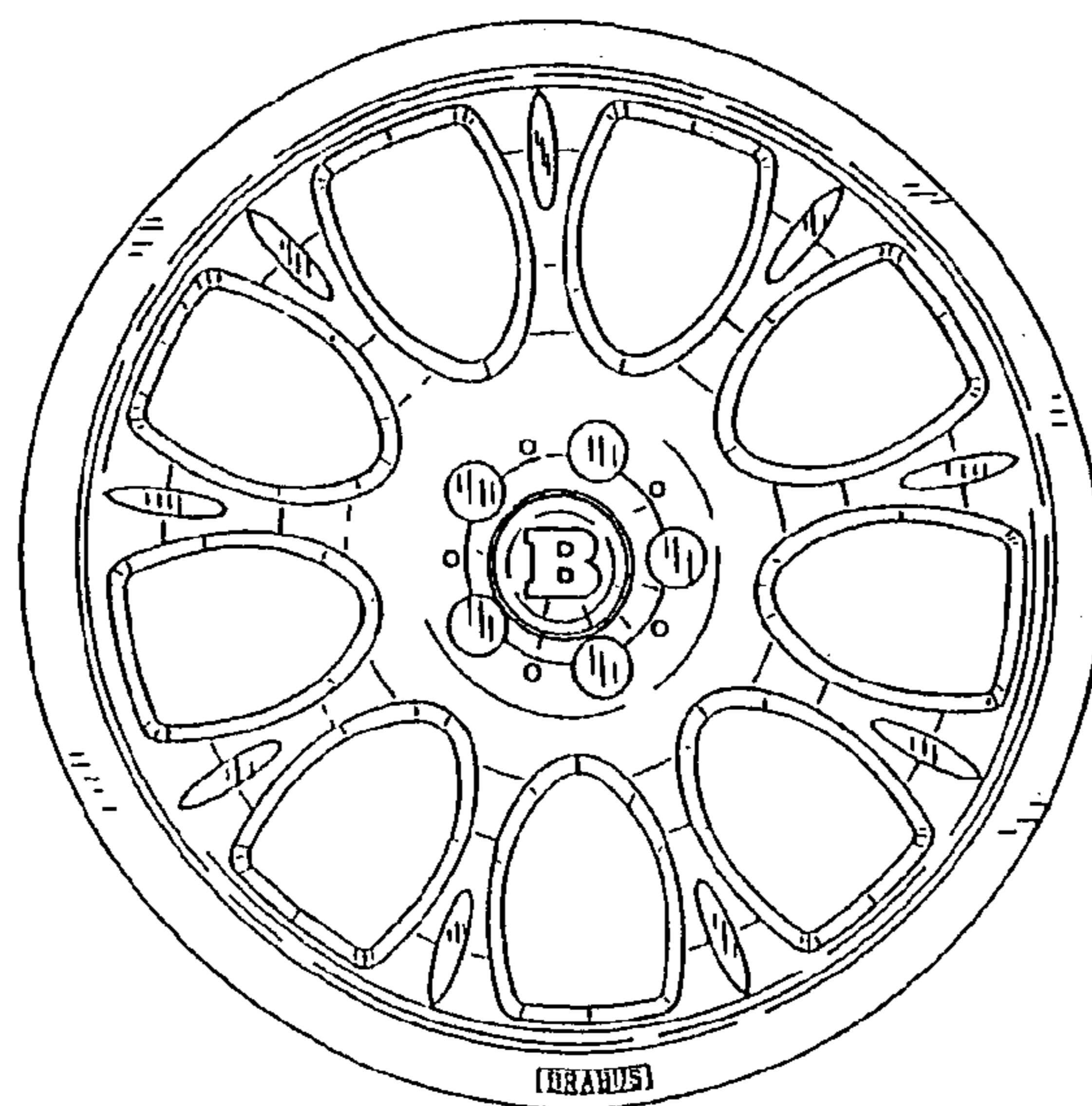


FIG. 8