

US00D549147S

(12) **United States Design Patent**
Huang

(10) **Patent No.:** **US D549,147 S**

(45) **Date of Patent:** **** Aug. 21, 2007**

(54) **DECORATIVE VEHICLE HUBCAP WITH SMOOTH RIM**

D443,244 S * 6/2001 Almaraz D12/213
D497,131 S * 10/2004 Burden D12/204
D498,447 S * 11/2004 Kato D12/207

(75) Inventor: **Nan Huang Huang**, Rancho Palos Verdes, CA (US)

* cited by examiner

(73) Assignee: **Grand General Accessories Manufacturing Inc.**, Rancho Dominguez, CA (US)

Primary Examiner—Stacia Cadmus
(74) *Attorney, Agent, or Firm*—Thomas I. Rozsa

(**) Term: **14 Years**

(57) **CLAIM**

(21) Appl. No.: **29/272,506**

The ornamental design for a decorative vehicle hubcap with smooth rim, as shown and described.

(22) Filed: **Feb. 8, 2007**

DESCRIPTION

(51) **LOC (8) Cl.** **12-16**

FIG. 1 is a perspective view of a decorative vehicle hubcap with smooth rim ornament, showing my design.

(52) **U.S. Cl.** **D12/204**

FIG. 2 is a front elevational view;

(58) **Field of Classification Search** D12/204–213;
301/37.101, 64.101, 65

FIG. 3 is a rear elevational view;

See application file for complete search history.

FIG. 4 is a side elevational view when viewed from the right side;

(56) **References Cited**

U.S. PATENT DOCUMENTS

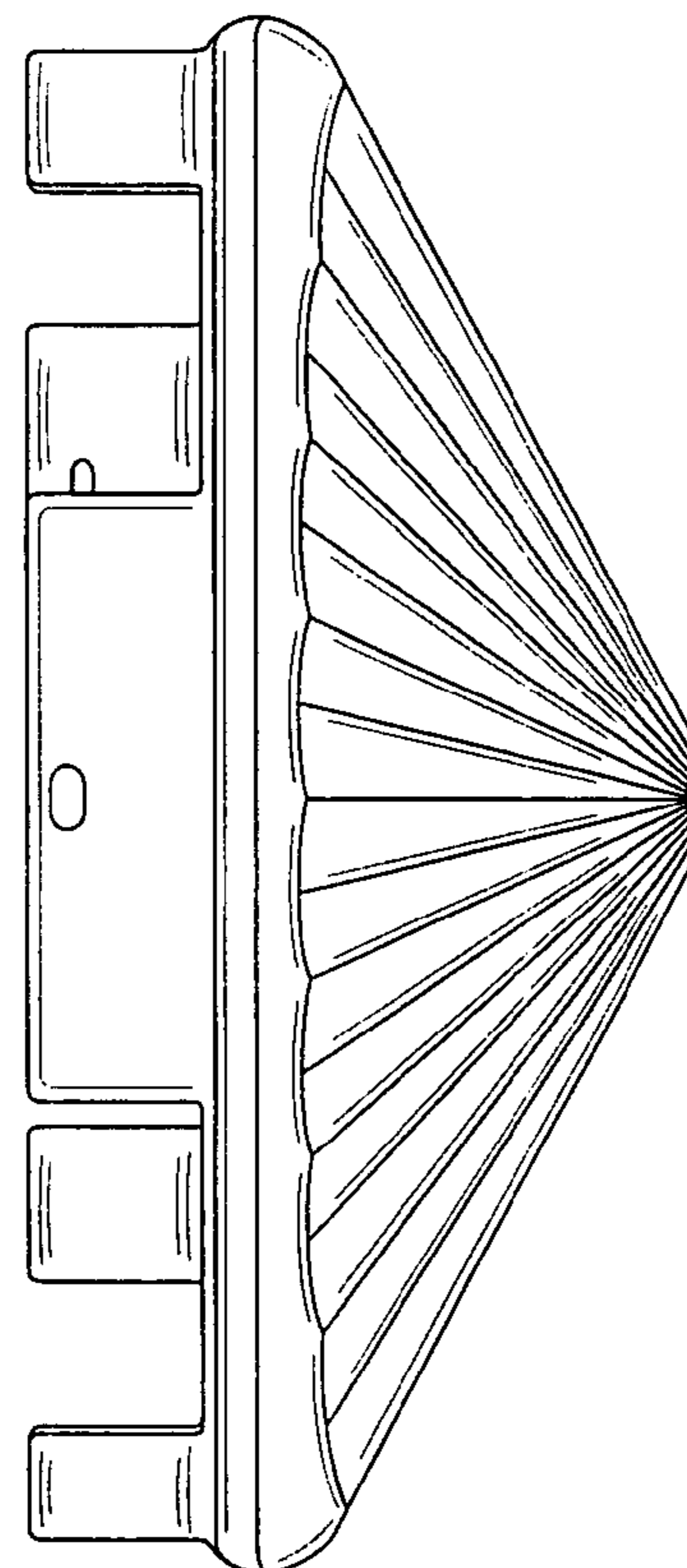
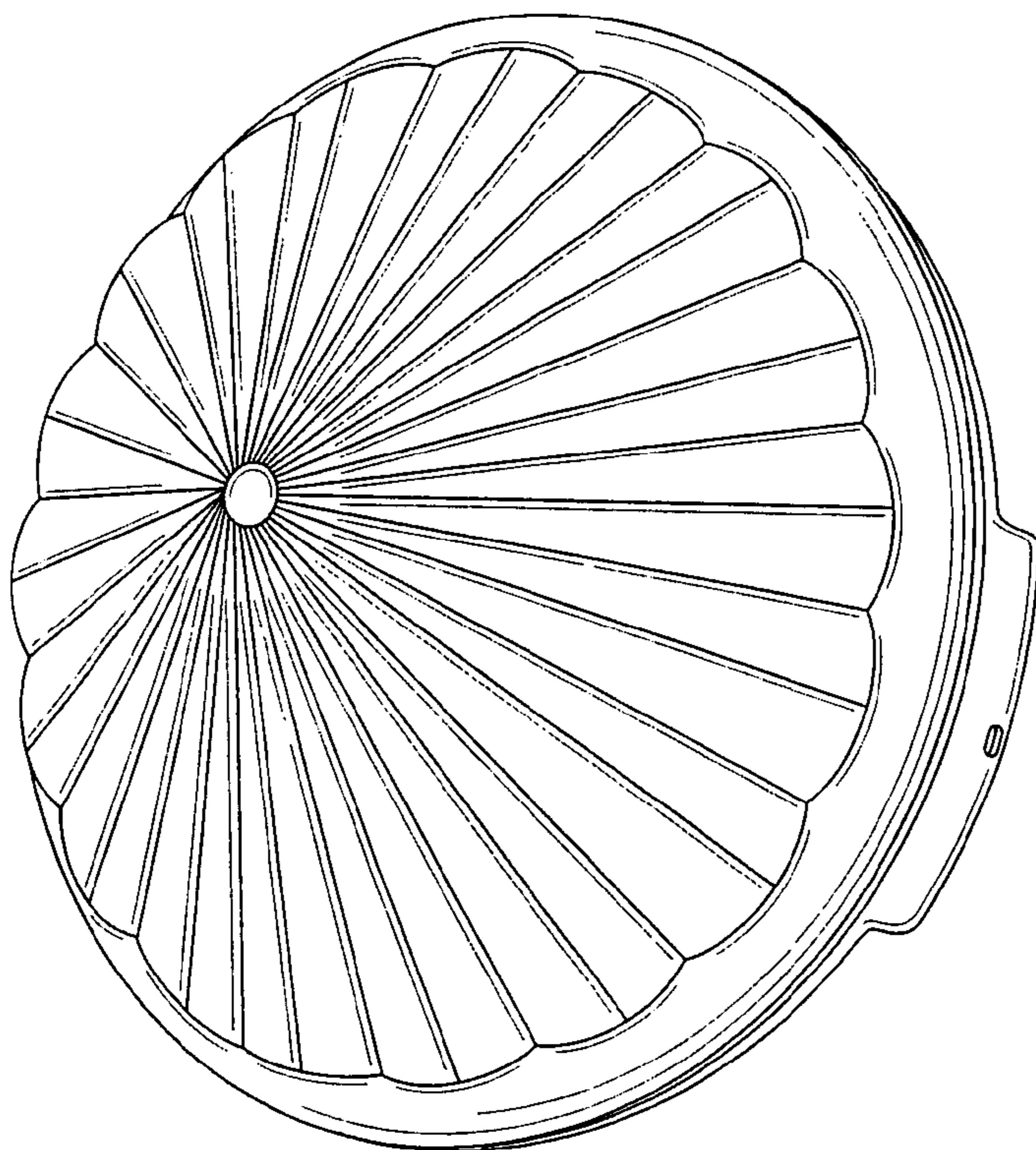
D172,240 S * 5/1954 Mason D12/204
D173,276 S * 10/1954 Lyon D12/204
D369,775 S * 5/1996 Choi D12/204
D415,088 S * 10/1999 Schardt D12/204
D442,903 S * 5/2001 Brintouch D12/204

FIG. 5 is a side elevational view when viewed from the left side;

FIG. 6 is a top plan view; and,

FIG. 7 is a bottom plan view.

1 Claim, 5 Drawing Sheets



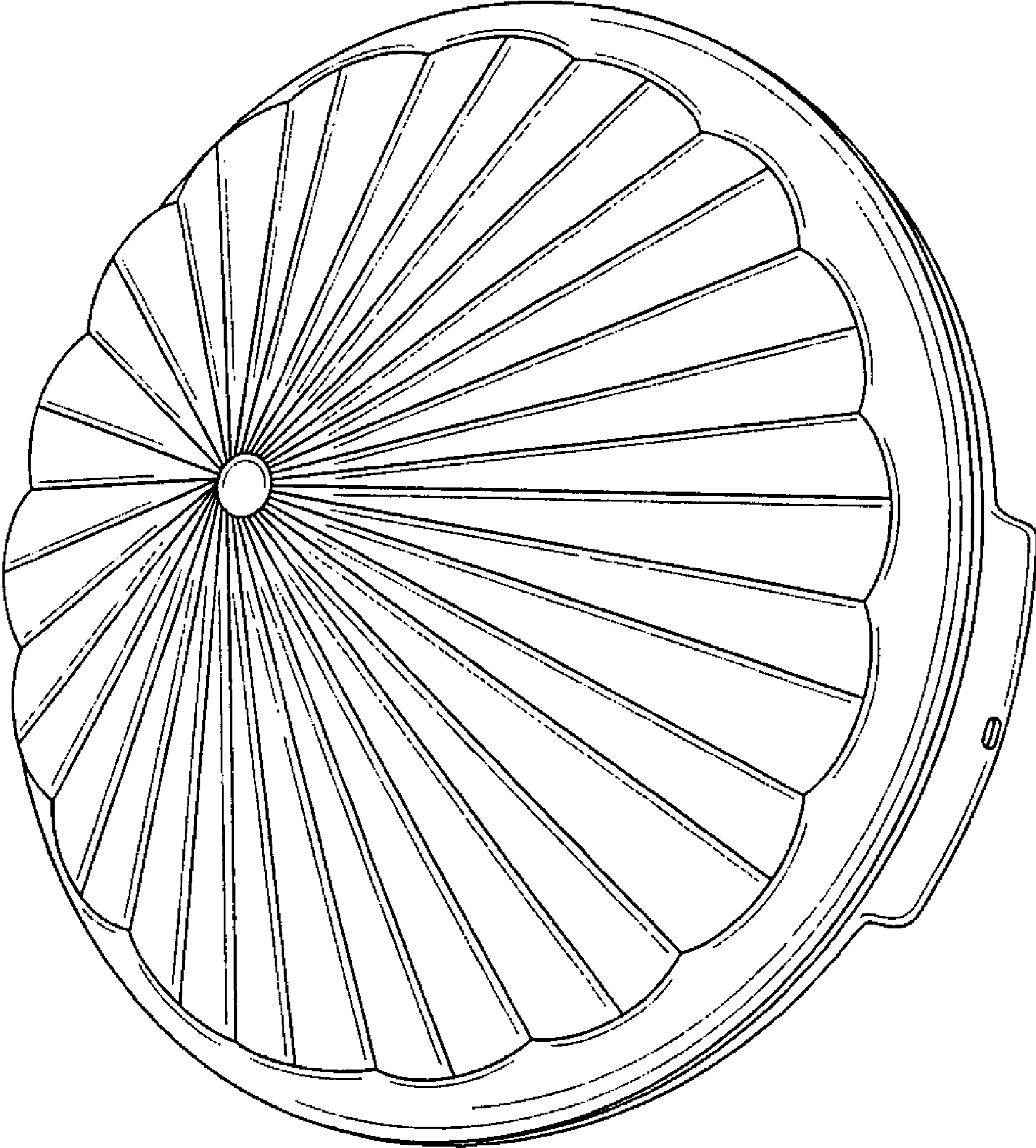


FIG. 1

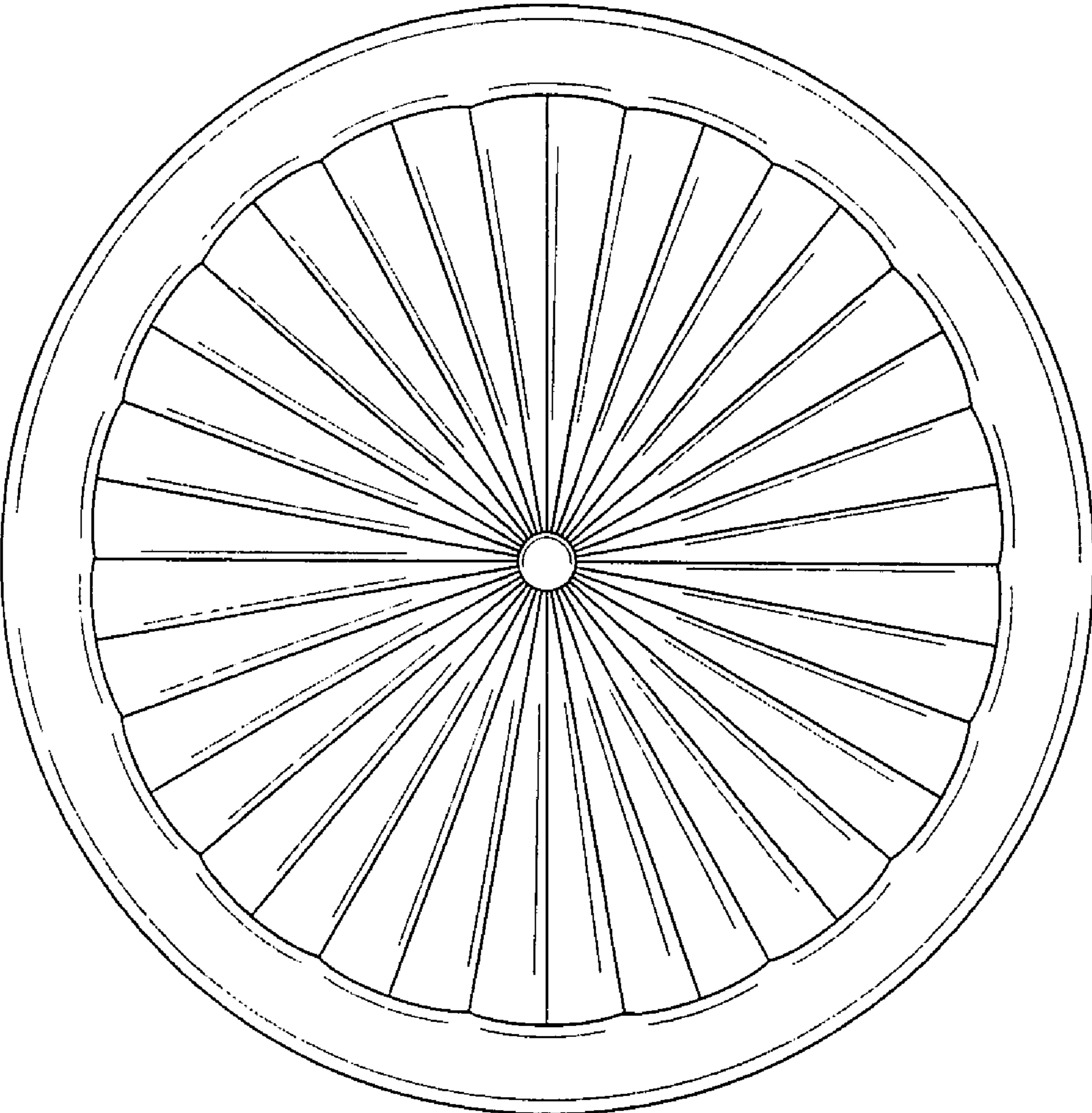


FIG. 2

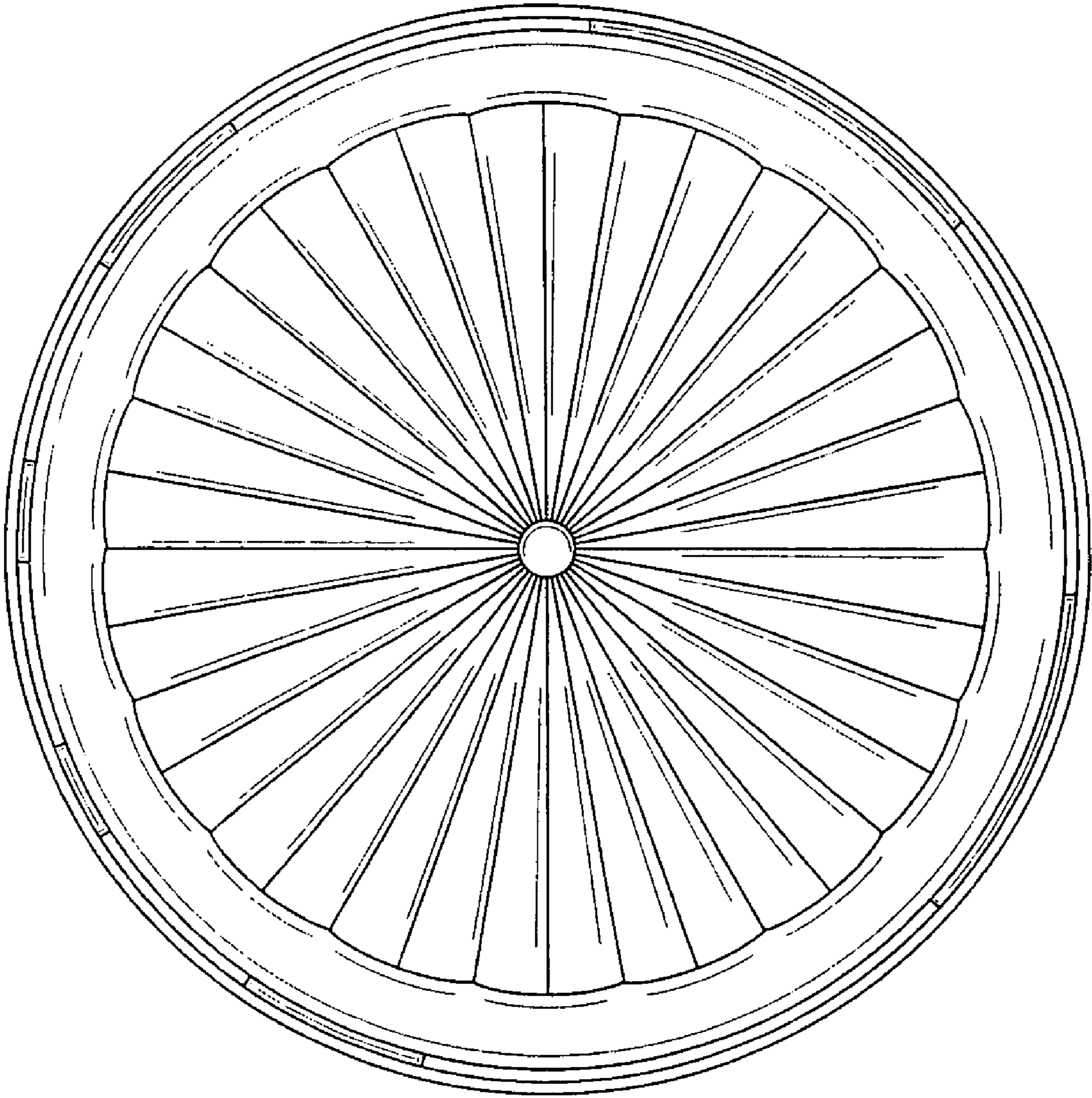


FIG. 3

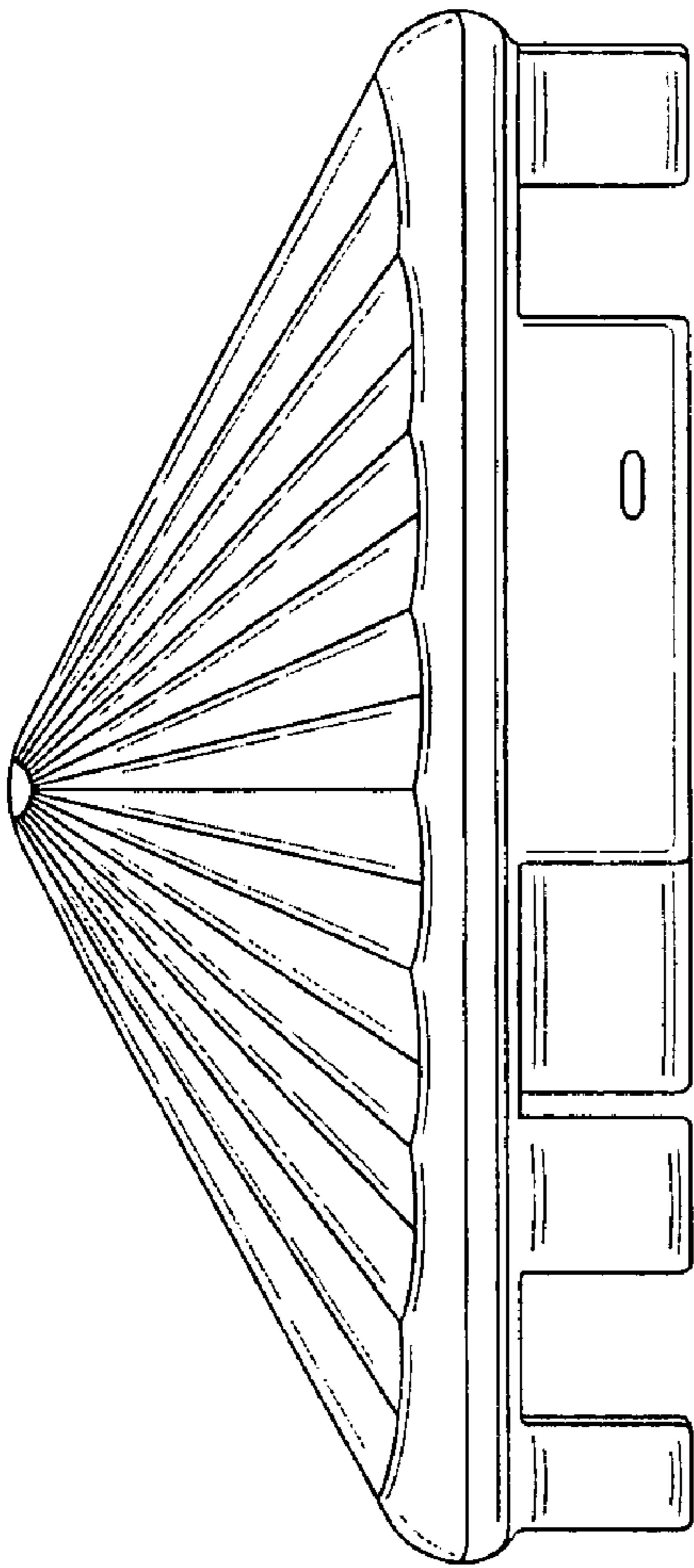


FIG. 4

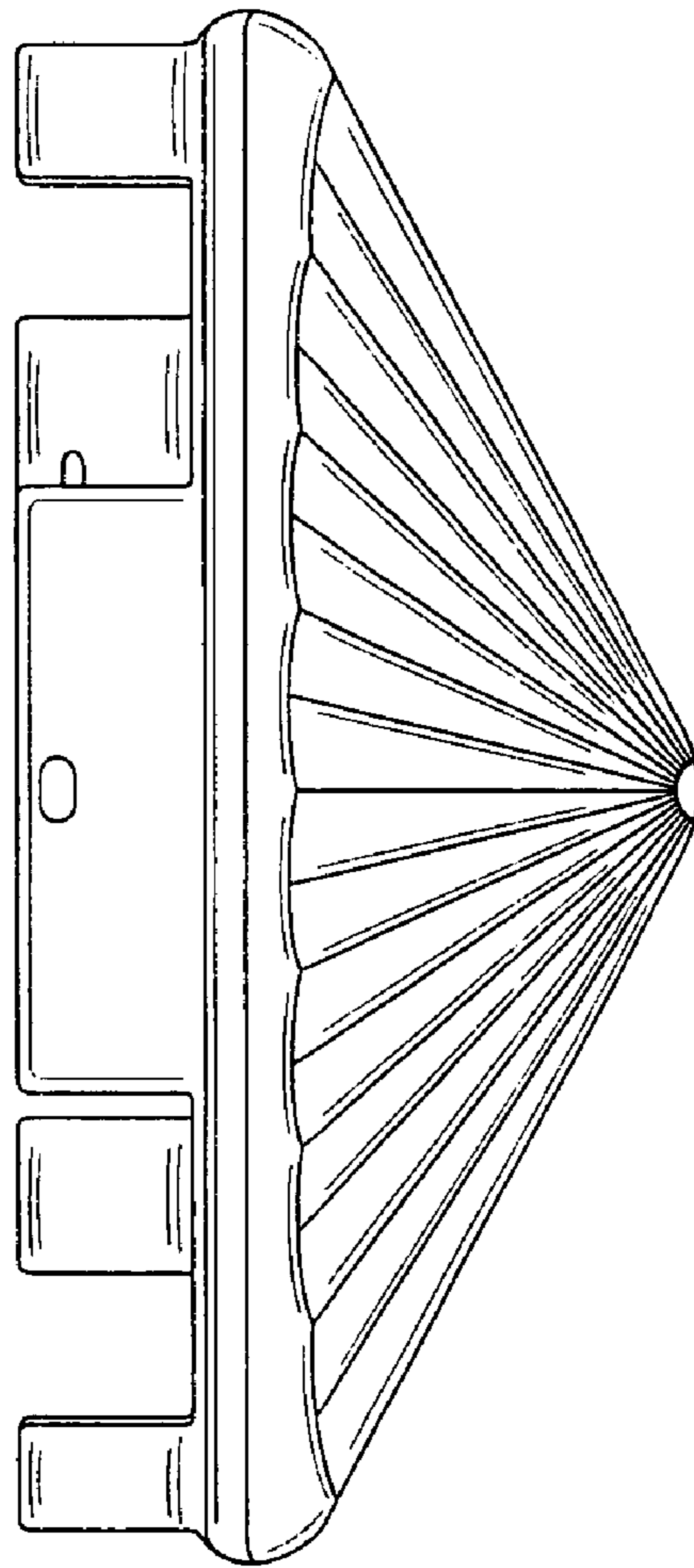


FIG. 5

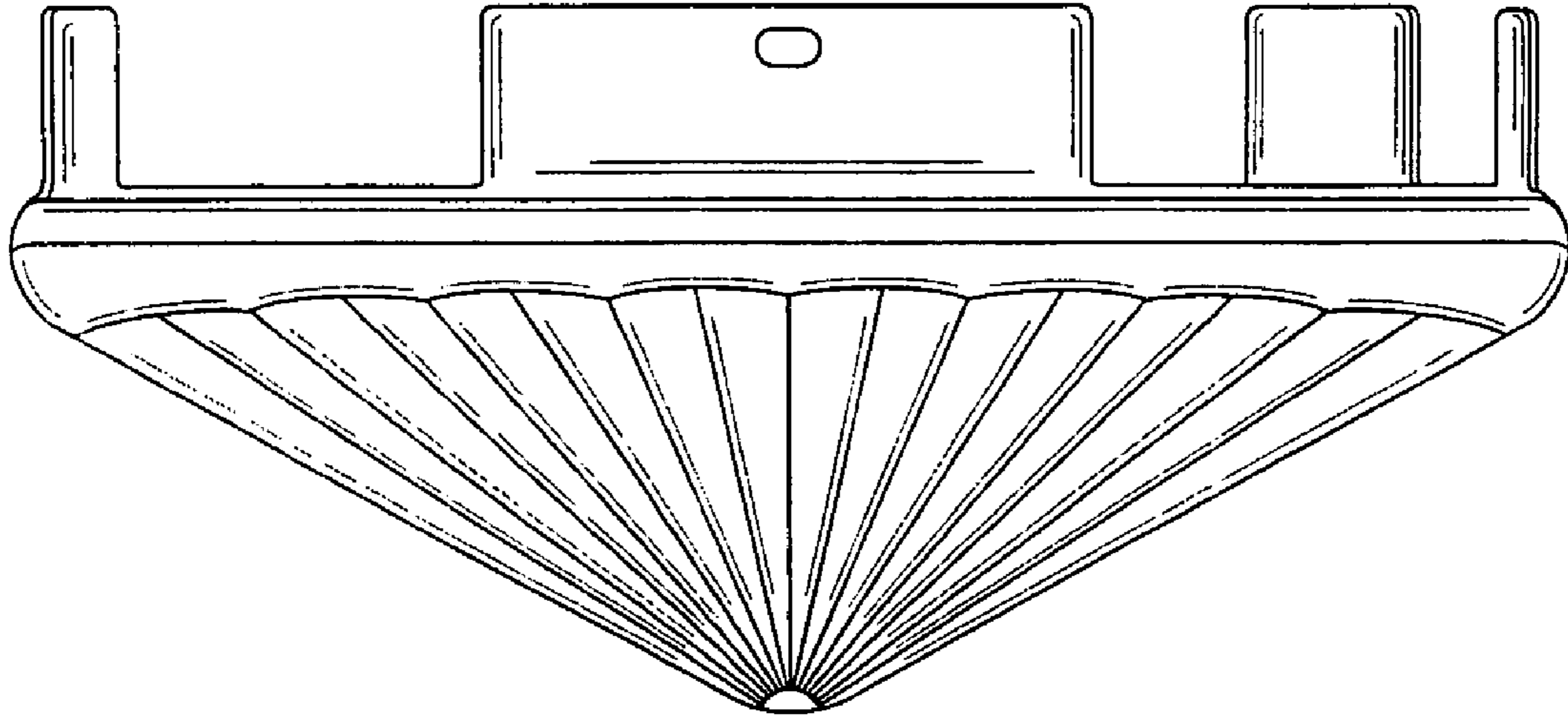


FIG. 6

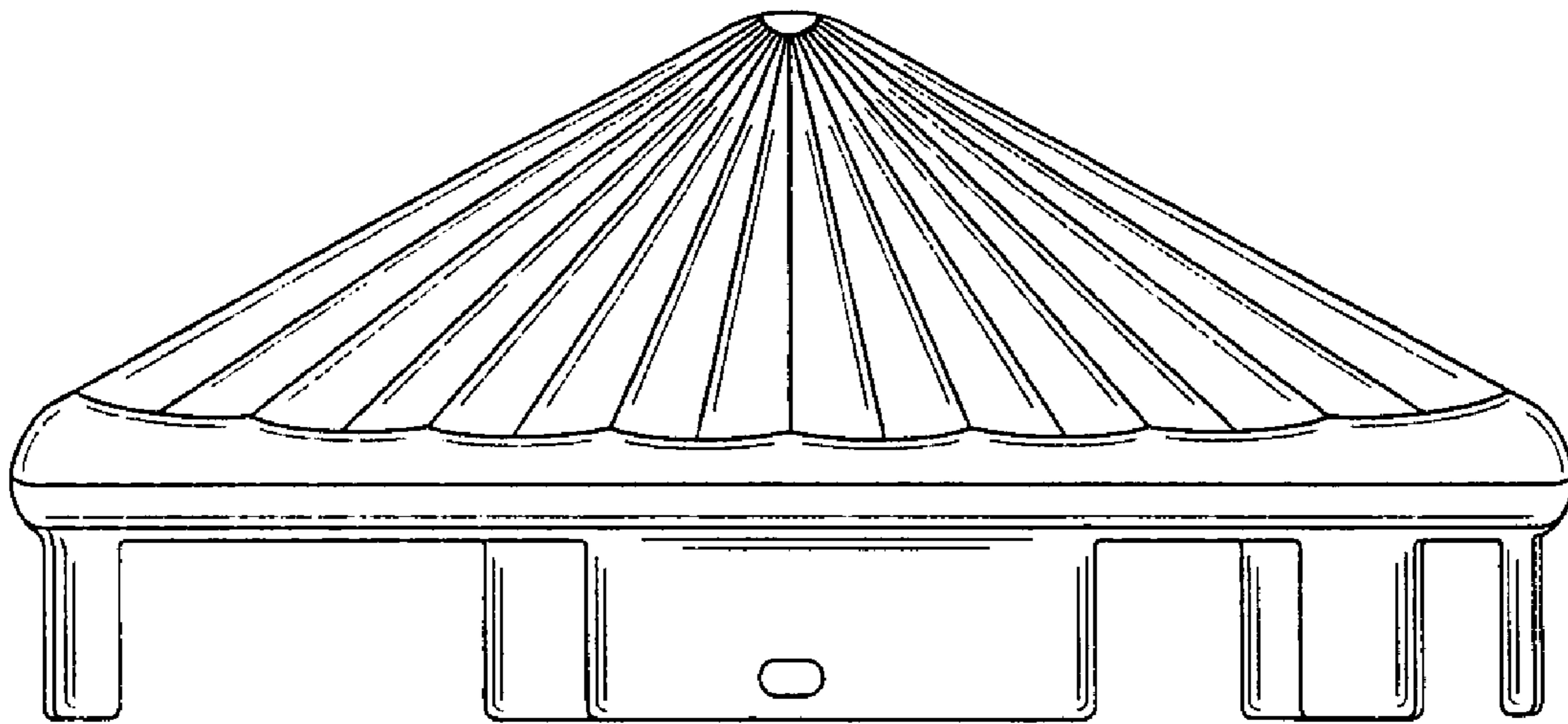


FIG. 7