



US00D549144S

(12) **United States Design Patent** (10) **Patent No.:** **US D549,144 S**
Elliott et al. (45) **Date of Patent:** **** Aug. 21, 2007**

(54) **FUEL TANK FAIRING**

(75) Inventors: **Aaron M. Elliott**, Denton, TX (US);
Louis D. Heilaneh, Lewisville, TX
(US)

(73) Assignee: **PACCAR Inc**, Bellevue, WA (US)

(**) Term: **14 Years**

(21) Appl. No.: **29/239,047**

(22) Filed: **Sep. 23, 2005**

(51) **LOC (8) Cl.** **12-16**

(52) **U.S. Cl.** **D12/196**

(58) **Field of Classification Search** D12/196,
D12/190, 90-92, 96; 296/56, 57.1, 183,
296/185, 190, 196, 197, 89.11, 89.12
See application file for complete search history.

(56) **References Cited**

U.S. PATENT DOCUMENTS

D433,981 S	11/2000	Davis et al.	
D434,348 S	11/2000	Delashaw et al.	
D437,258 S *	2/2001	Meryman et al.	D12/96
D437,570 S *	2/2001	Meryman et al.	D12/96

* cited by examiner

Primary Examiner—Melody N. Brown

(74) *Attorney, Agent, or Firm*—Christensen O'Connor;
Johnson Kindness PLLC

(57) **CLAIM**

The ornamental design for a fuel tank fairing, as shown and described.

DESCRIPTION

FIG. 1 is a perspective view of a truck fairing showing a fuel tank fairing of our new design;

FIG. 2 is an oblique view of a fuel tank fairing showing our new design;

FIG. 3 is a side view;

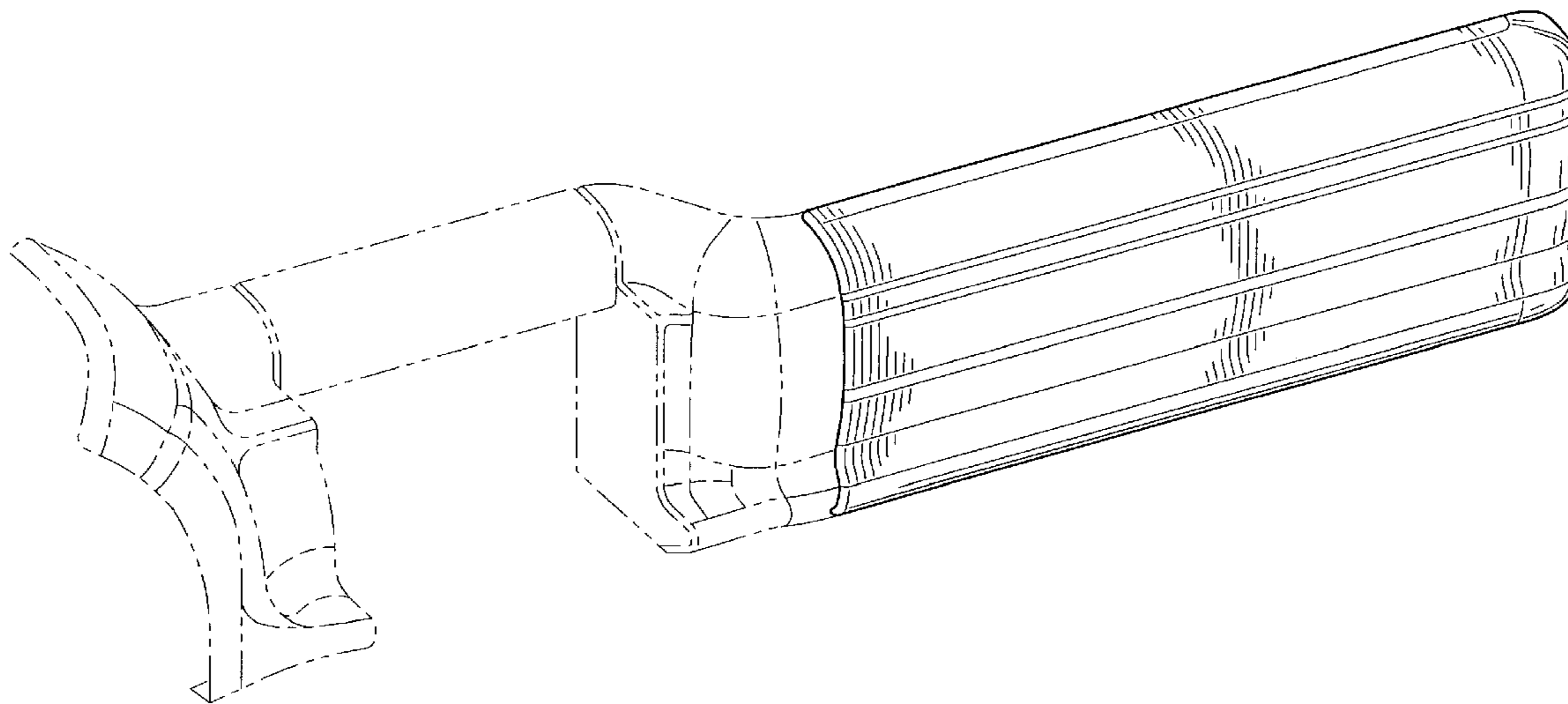
FIG. 4 is a top view; and,

FIG. 5 is a rear view.

The front, back and bottom of the fuel tank fairing are unornamented.

The broken lines showing the truck portions in FIG. 1 depicts environment and is not part of the claimed design.

1 Claim, 2 Drawing Sheets



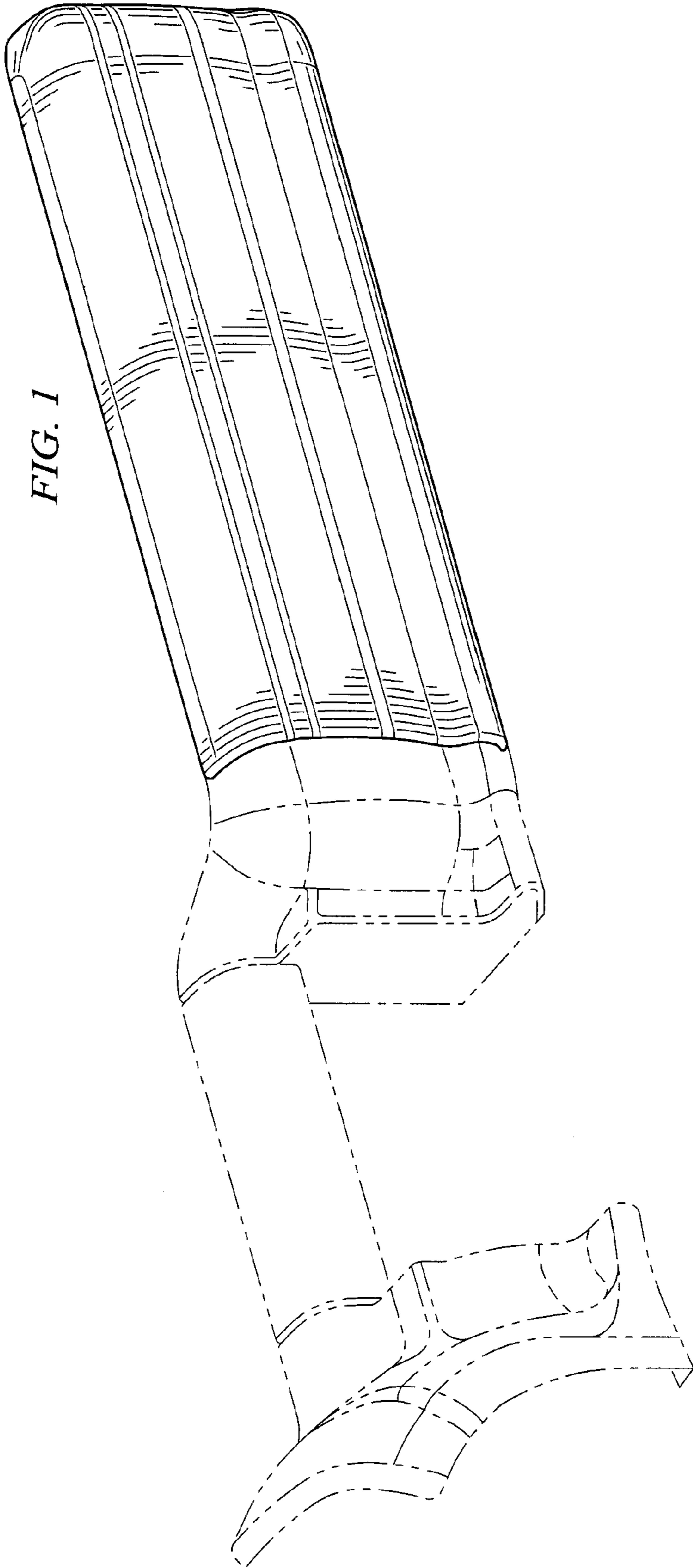


FIG. 1

FIG. 2

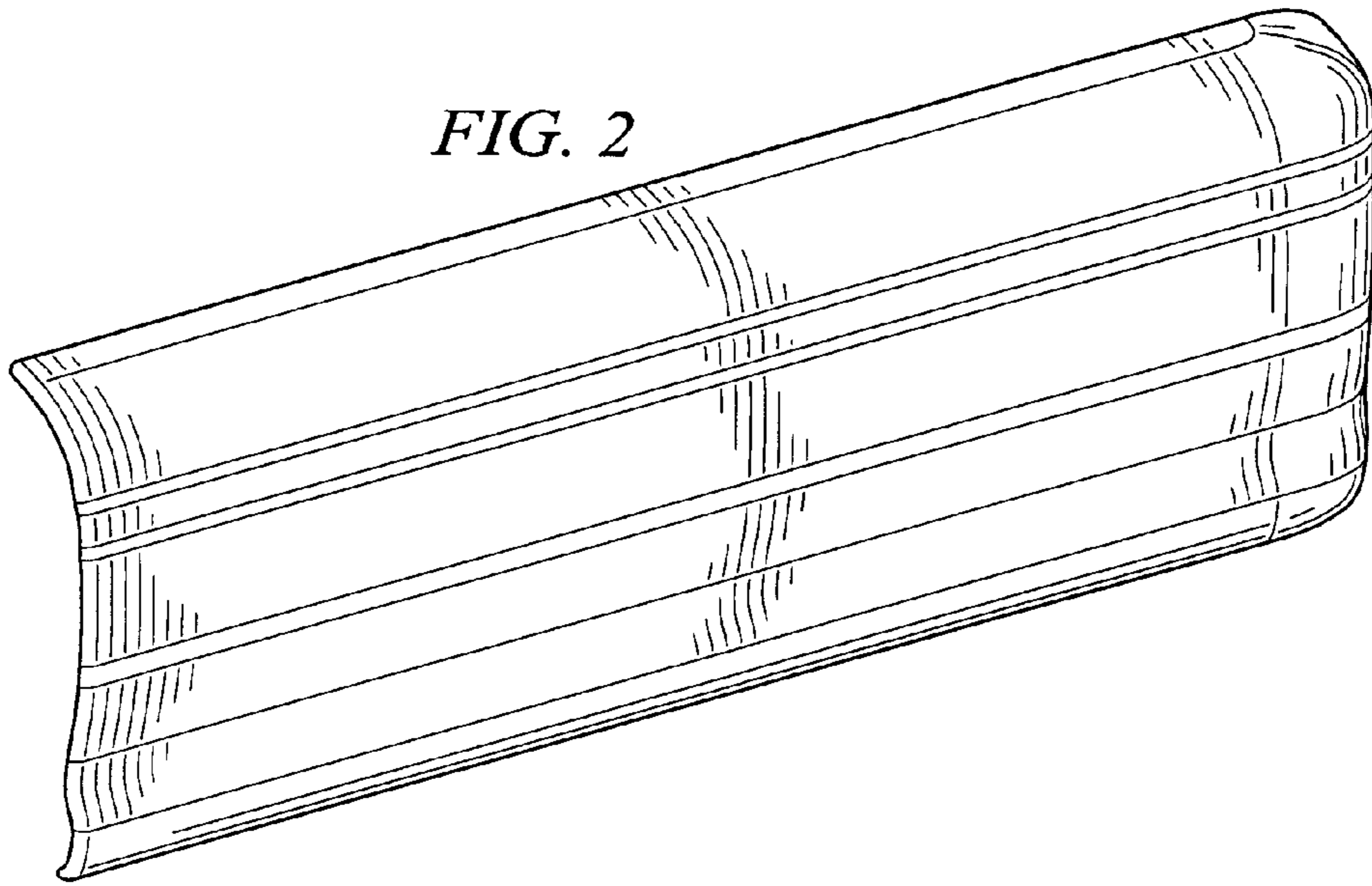


FIG. 3

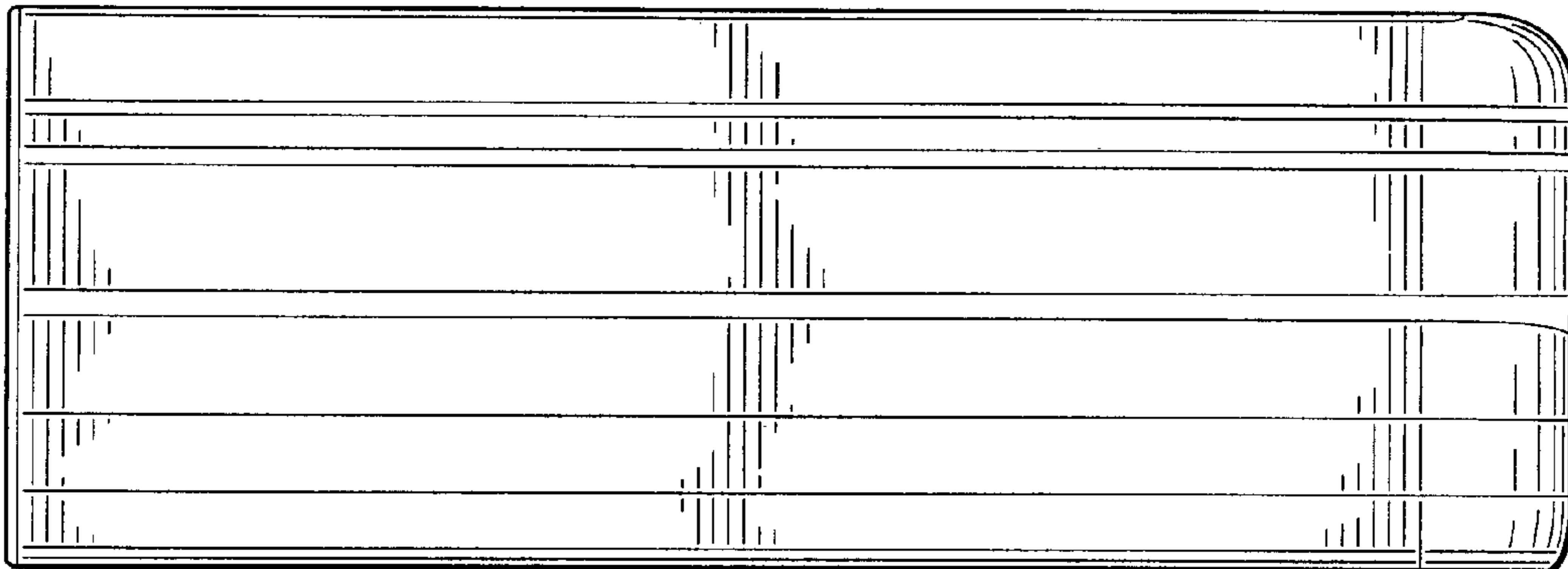


FIG. 4

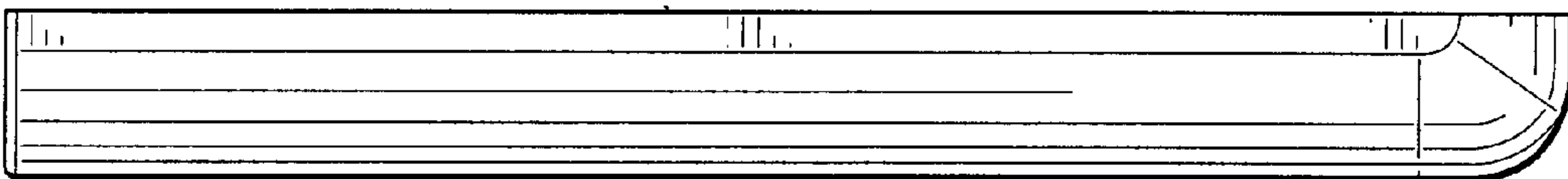
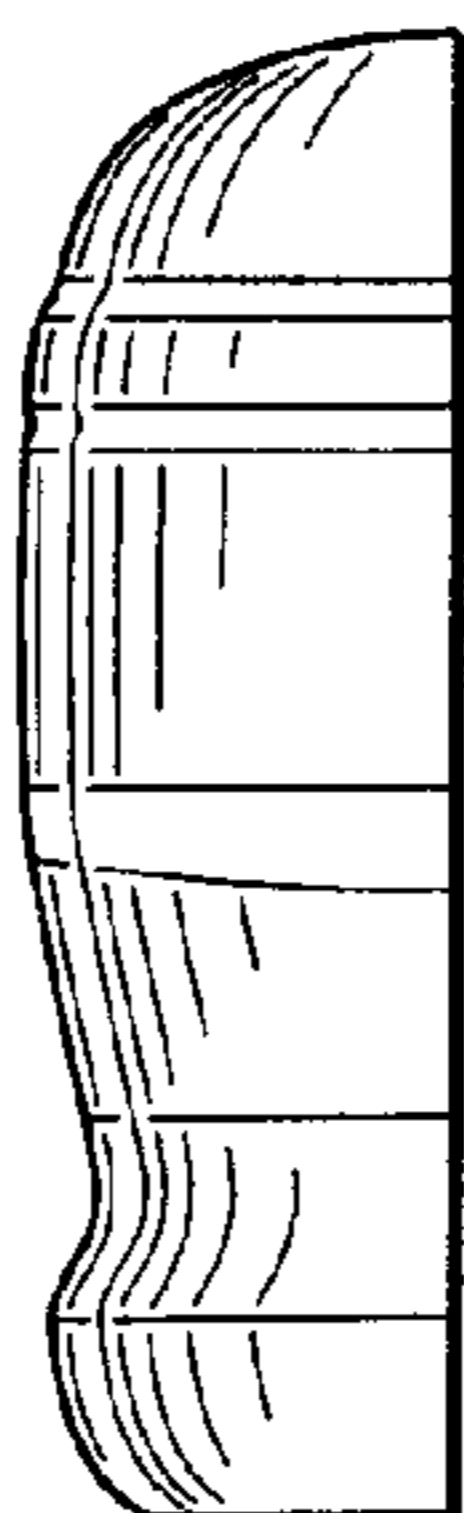


FIG. 5



UNITED STATES PATENT AND TRADEMARK OFFICE
CERTIFICATE OF CORRECTION

PATENT NO. : Des. 549,144 S
APPLICATION NO. : 29/239047
DATED : August 21, 2007
INVENTOR(S) : A.M. Elliott et al.

Page 1 of 1

It is certified that error appears in the above-identified patent and that said Letters Patent is hereby corrected as shown below:

COLUMN

LINE

(57)
On the title
page item

Descr.,
line 11

“depicts” should read --depict--

(57)
On the title
page item

Descr.,
line 11

“is” should read --are--

Signed and Sealed this

Fourth Day of November, 2008



JON W. DUDAS

Director of the United States Patent and Trademark Office