



US00D549143S

(12) **United States Design Patent**
Lepage

(10) **Patent No.:** **US D549,143 S**

(45) **Date of Patent:** **** Aug. 21, 2007**

(54) **DASHBOARD FOR CROSS-COUNTRY CAR**

D489,303 S * 5/2004 Tuzar D12/192
D511,729 S * 11/2005 Yamazaki et al. D12/192
D524,706 S * 7/2006 Stinson D12/192
D538,721 S * 3/2007 Woodard et al. D12/192

(75) Inventor: **Francis Lepage**, Dacun Township,
Changhua County (TW)

(73) Assignee: **Motive Power Industry Co., Ltd.**,
Changhua County (TW)

* cited by examiner

Primary Examiner—Stacia Cadmus

(**) Term: **14 Years**

(74) *Attorney, Agent, or Firm*—Birch, Stewart, Kolasch &
Birch, LLP

(21) Appl. No.: **29/270,850**

(57) **CLAIM**

(22) Filed: **Jan. 5, 2007**

The ornamental design for a dashboard for cross-country
car, as shown and described.

(51) **LOC (8) Cl.** **12-16**

(52) **U.S. Cl.** **D12/192**

(58) **Field of Classification Search** D12/192,
D12/345; 180/90; 280/750-752; 296/190.01-190.09,
296/70; D15/17, 28; D10/46, 98, 102-103;
362/482, 489; 73/431, 866.3

See application file for complete search history.

DESCRIPTION

FIG. 1 is a perspective view of a dashboard for cross-country
car;

FIG. 2 is a front elevation thereof;

FIG. 3 is a rear elevation thereof;

FIG. 4 is a left side elevation thereof;

FIG. 5 is a right side elevation thereof;

FIG. 6 is a top plan view thereof; and,

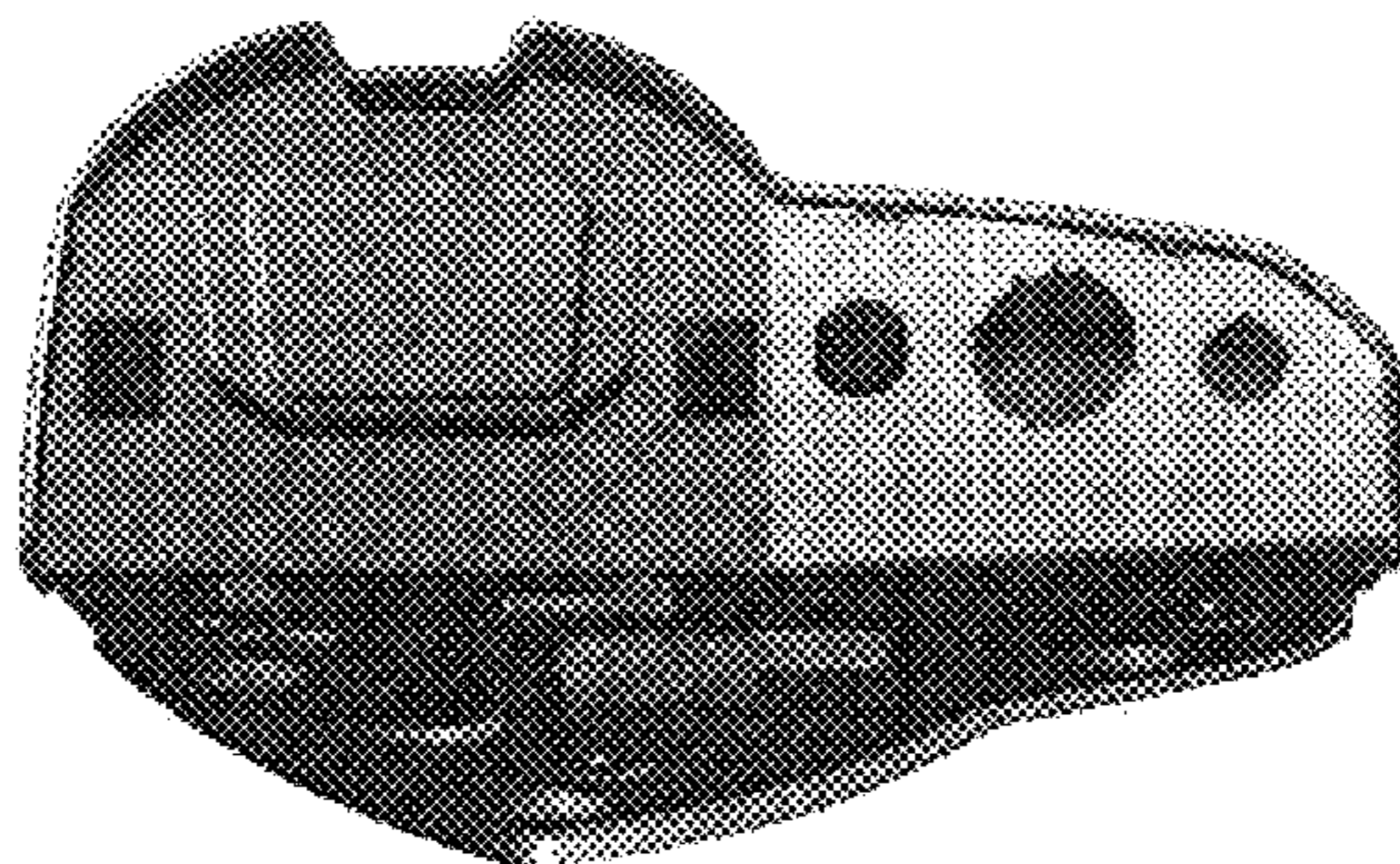
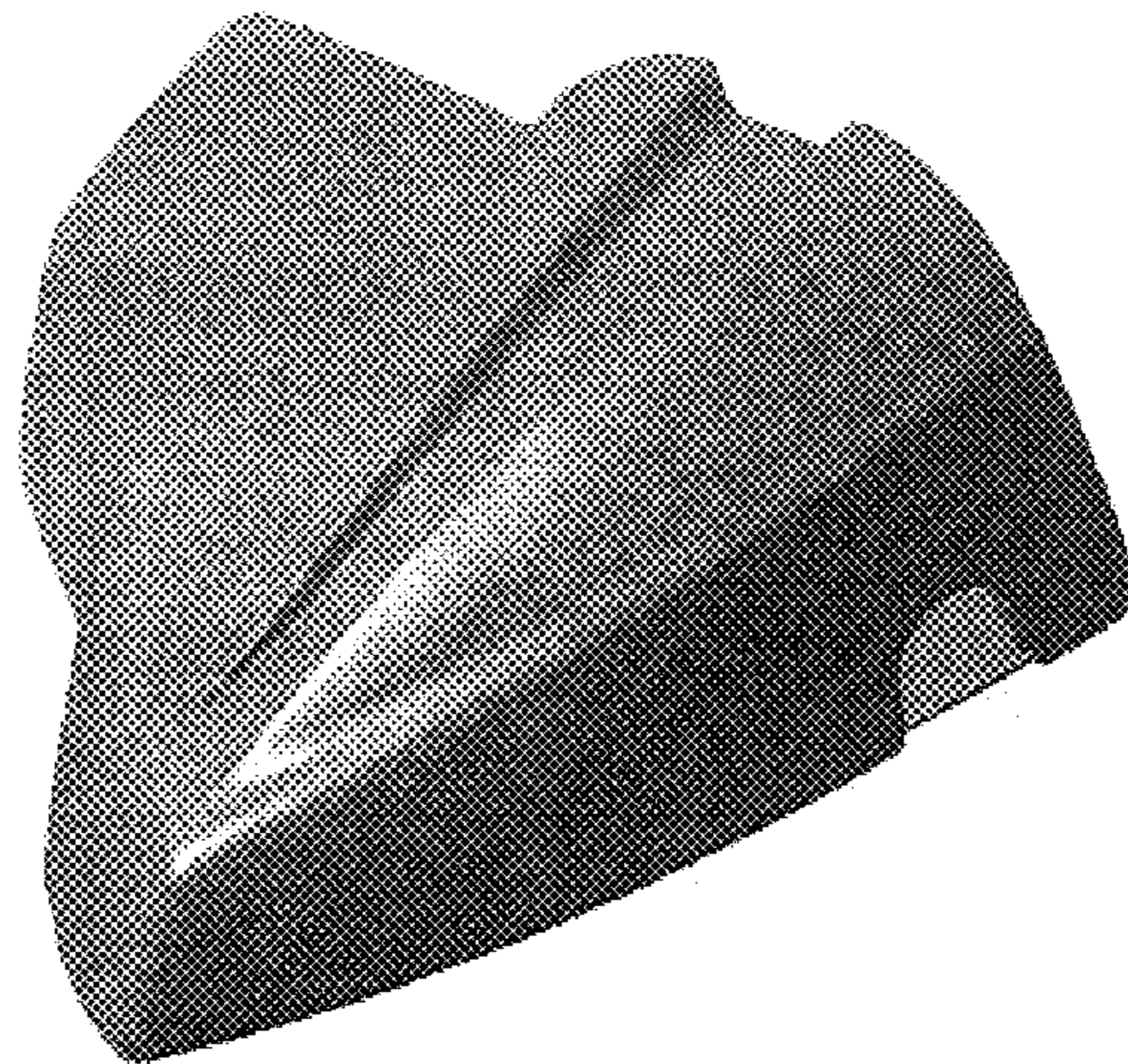
FIG. 7 is a bottom view thereof.

(56) **References Cited**

U.S. PATENT DOCUMENTS

D363,053 S * 10/1995 Abele D12/192
D401,201 S * 11/1998 Saleen D12/192
D412,146 S * 7/1999 Sacco et al. D12/192
D424,002 S * 5/2000 Leschke et al. D12/192
D480,029 S * 9/2003 Kraus D12/192

1 Claim, 4 Drawing Sheets



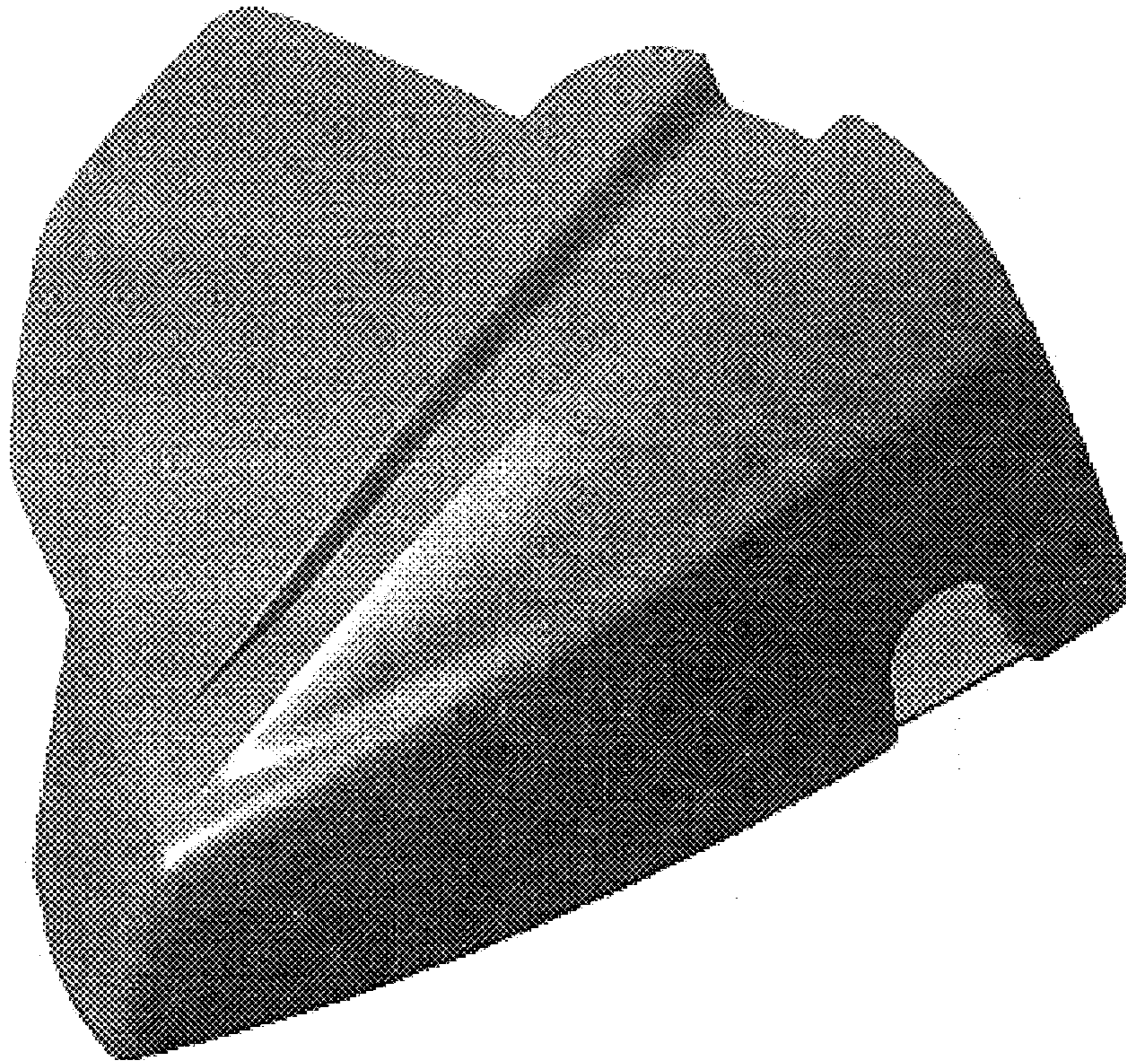


Fig. 1

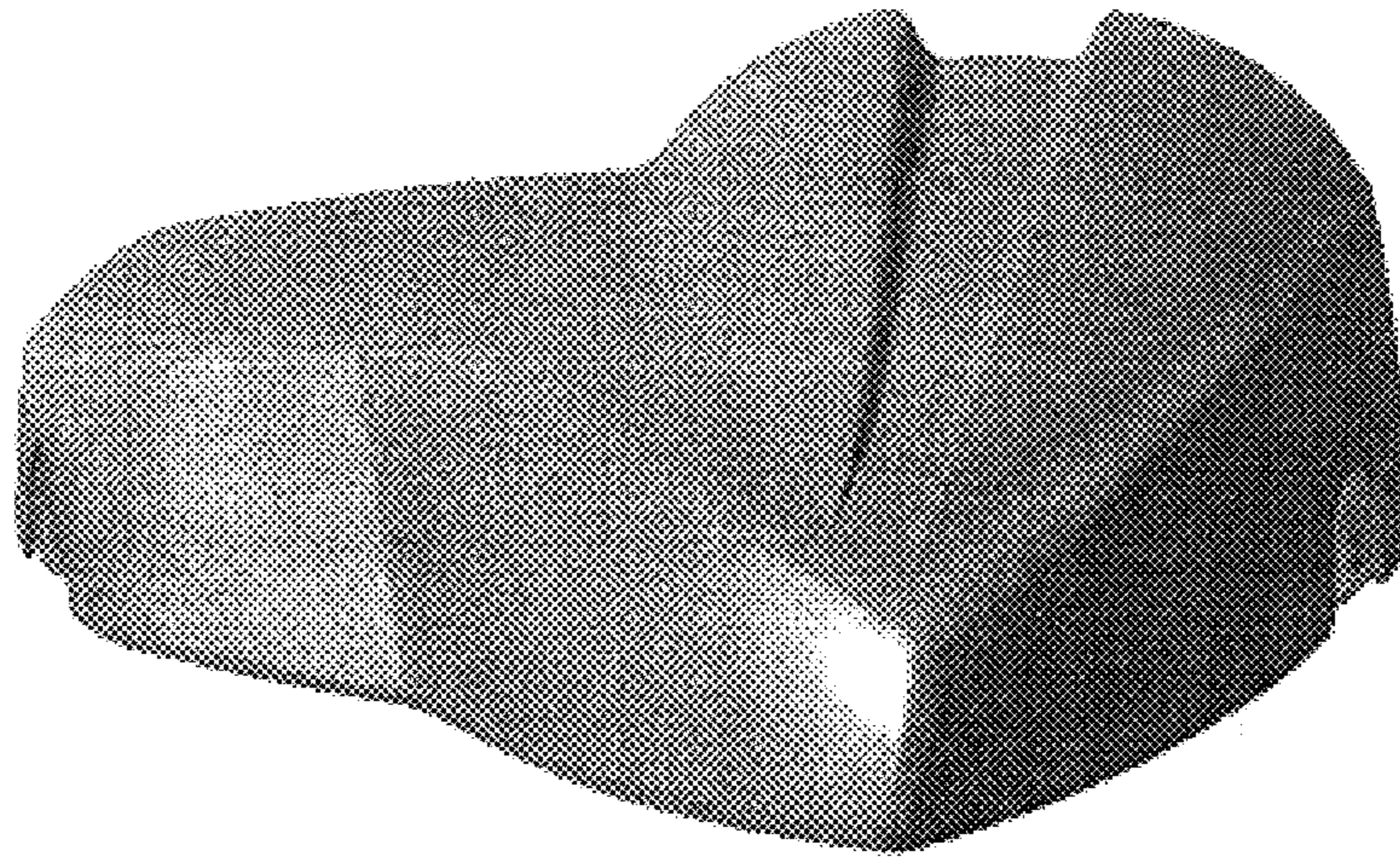


Fig.2

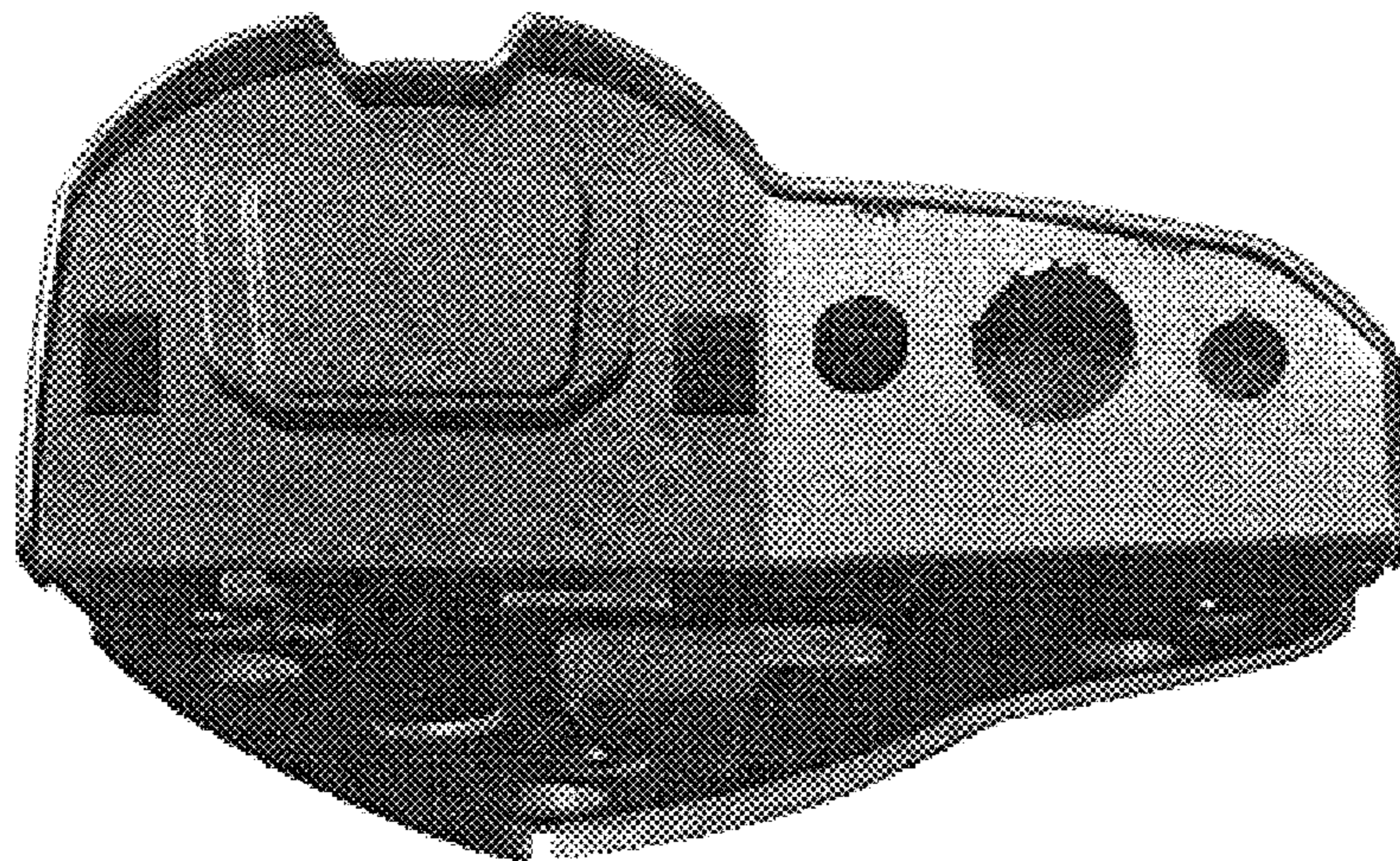


Fig.3

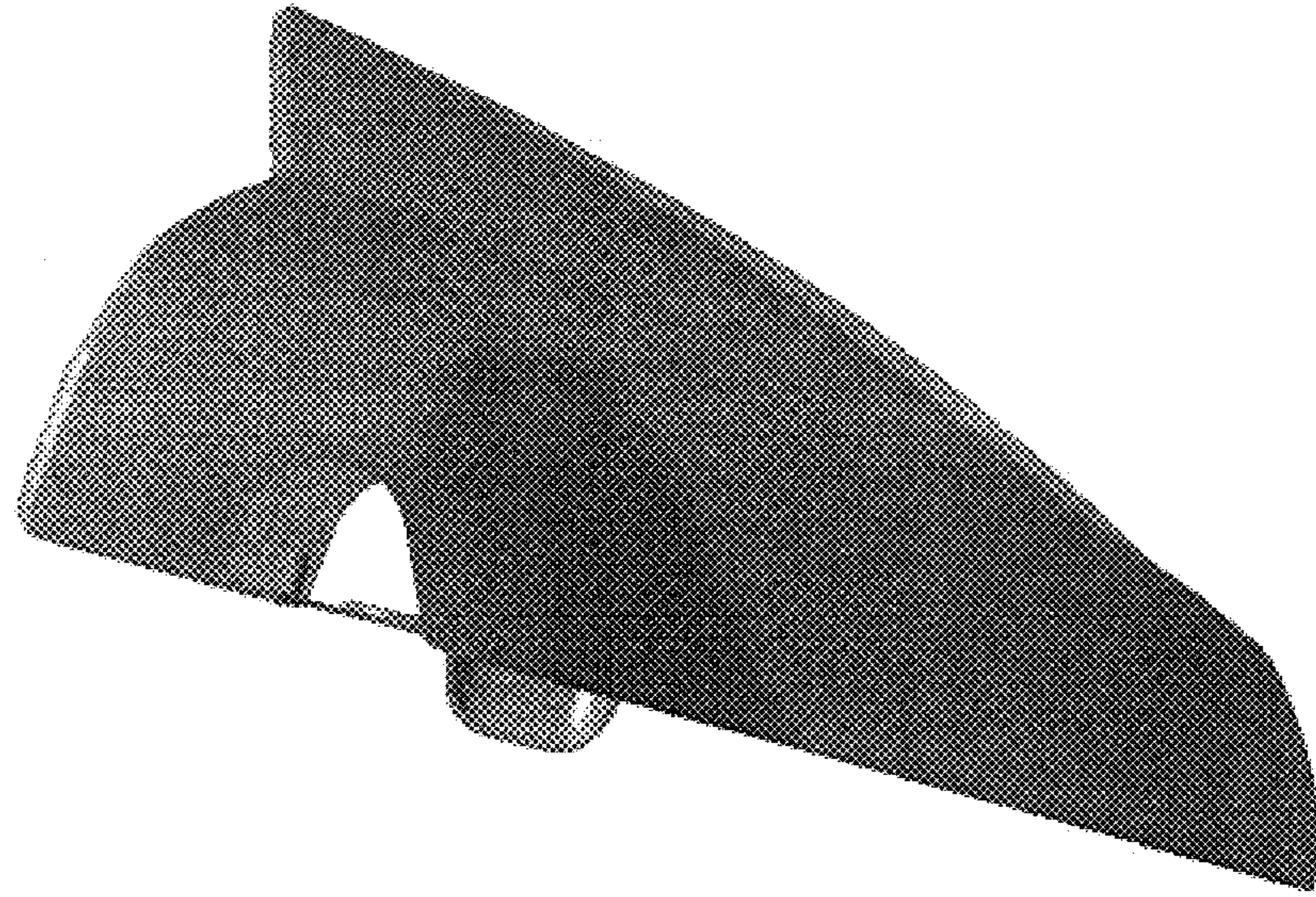


Fig.4

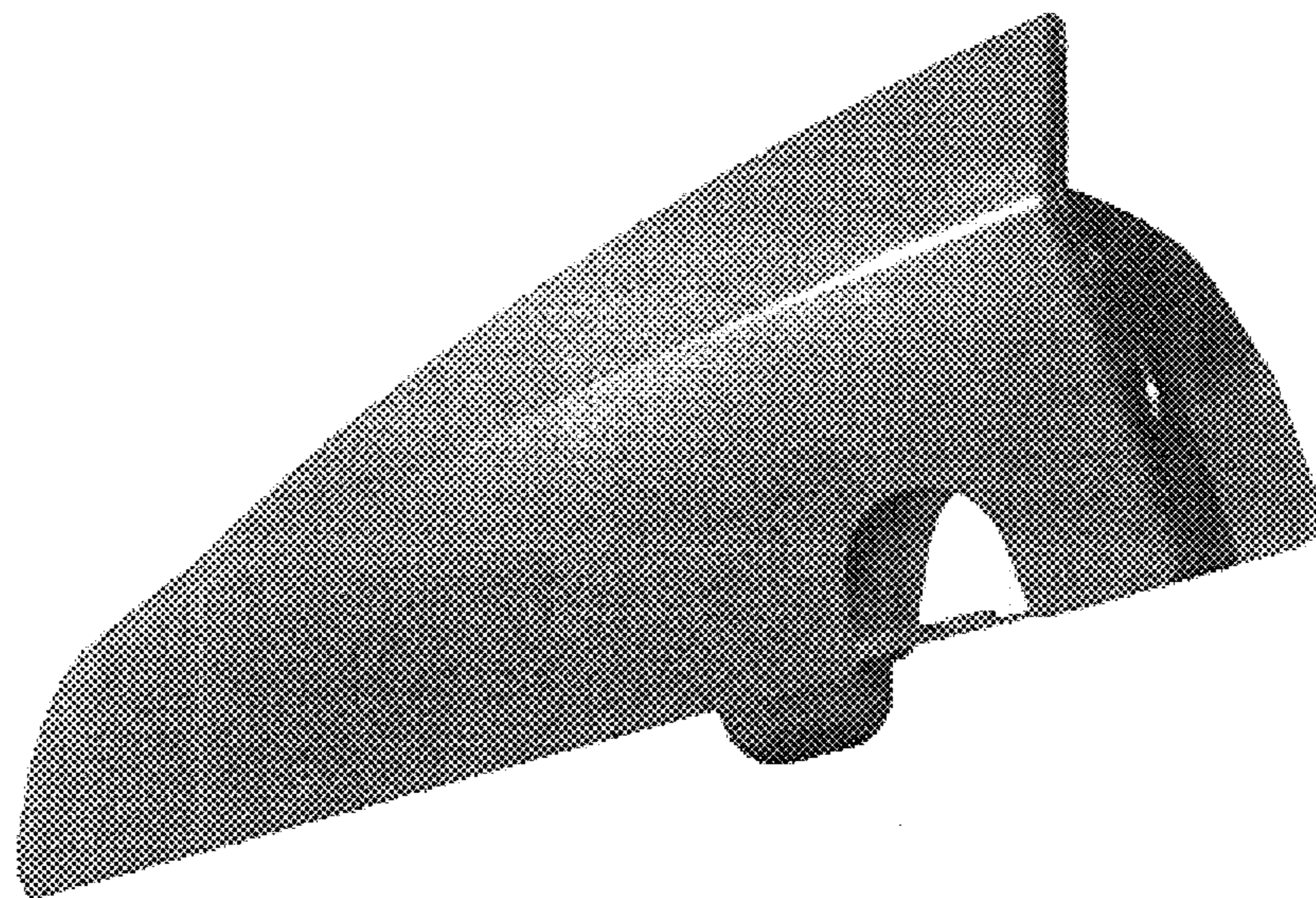


Fig.5

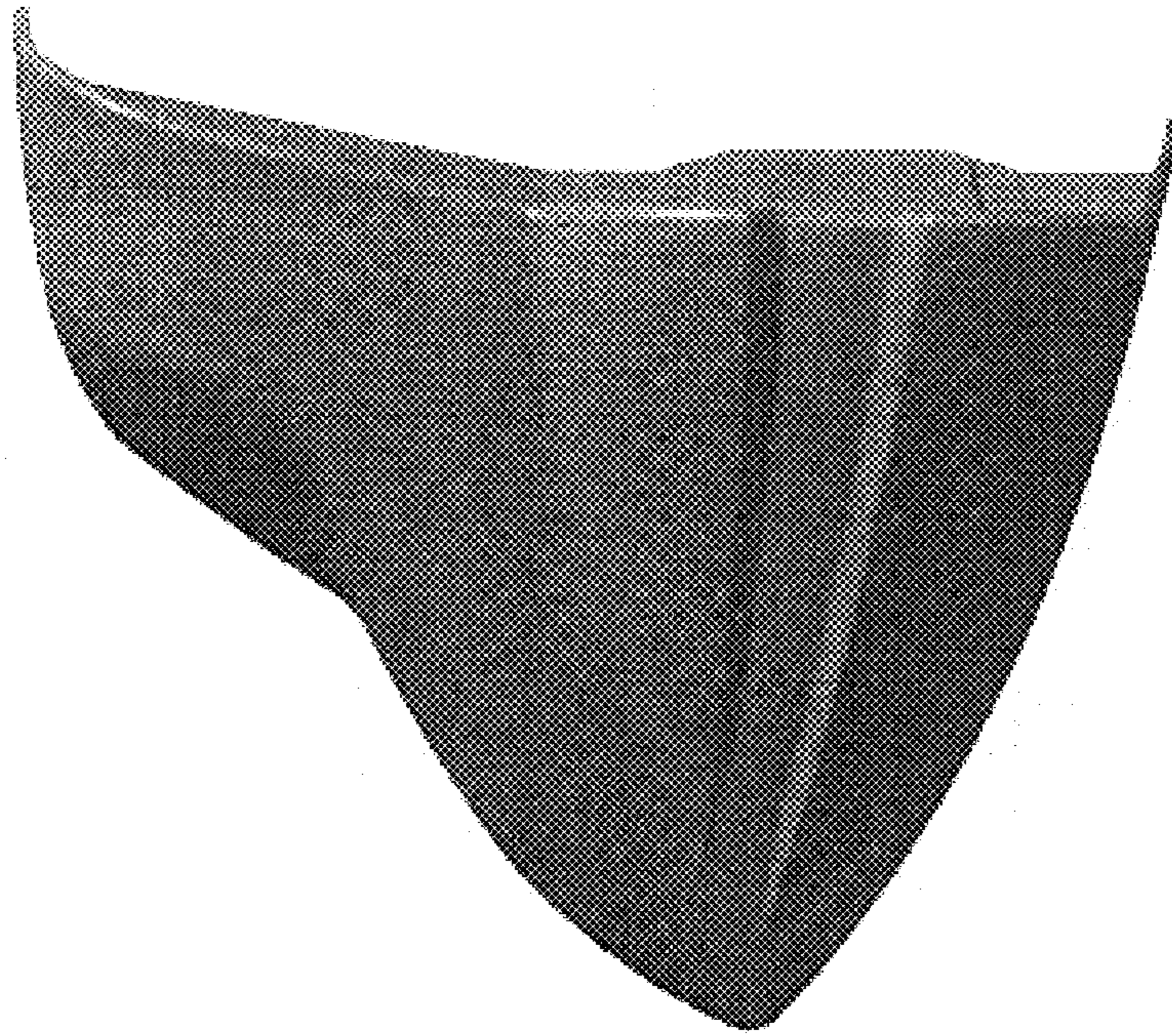


Fig.6

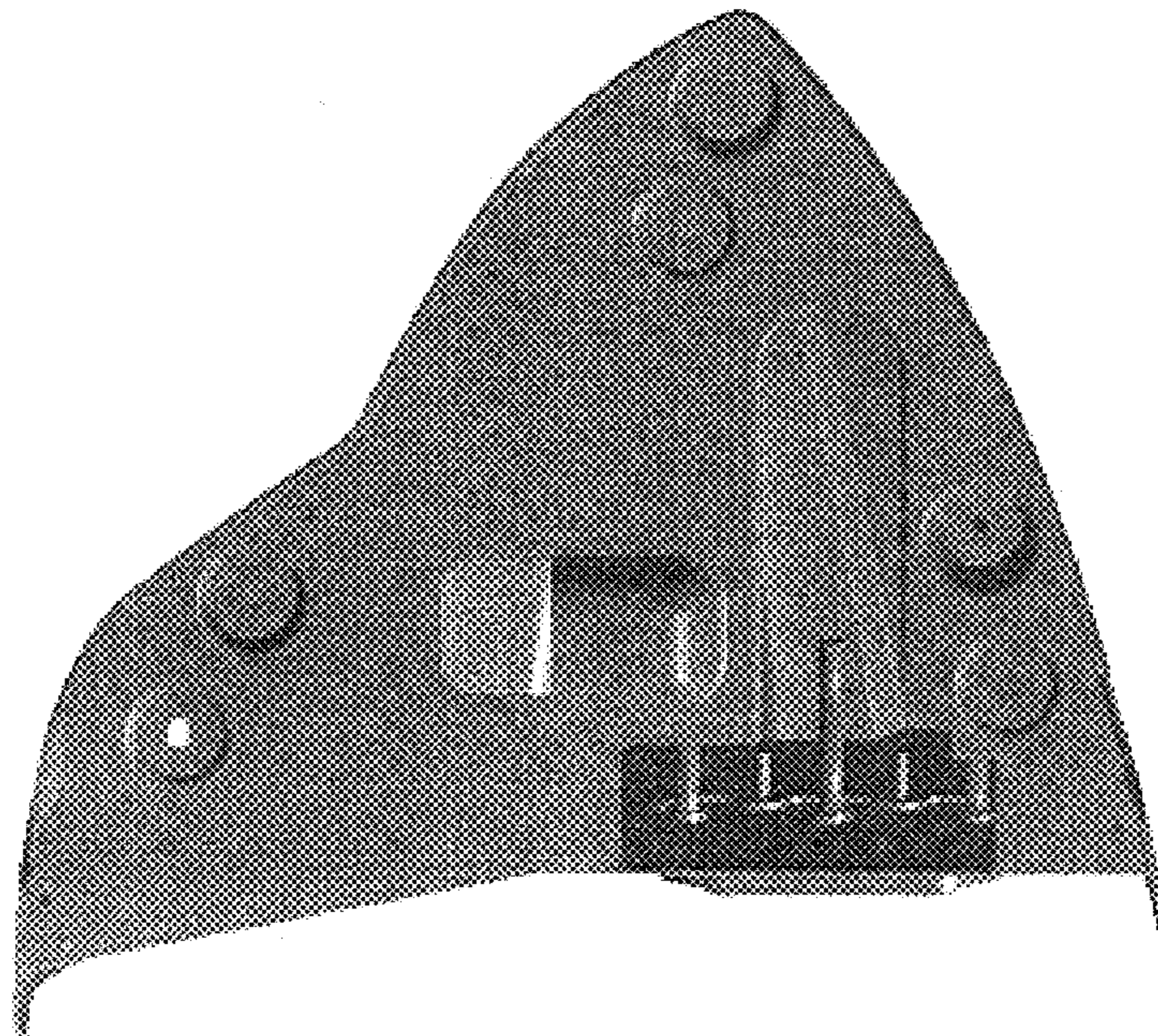


Fig.7