



US00D549142S

(12) **United States Design Patent**
Sinkwitz

(10) **Patent No.:** **US D549,142 S**

(45) **Date of Patent:** **** Aug. 21, 2007**

(54) **SIDE MIRROR FOR A VEHICLE**

(75) Inventor: **Hartmut Sinkwitz**, Heimsheim (DE)

(73) Assignee: **smart GmbH**, Boeblingen (DE)

(**) Term: **14 Years**

(21) Appl. No.: **29/274,391**

(22) Filed: **Apr. 20, 2007**

(30) **Foreign Application Priority Data**

Oct. 23, 2006 (DE) 40605420

(51) **LOC (8) Cl.** **12-16**

(52) **U.S. Cl.** **D12/187**

(58) **Field of Classification Search** D12/187-189,
D12/223; 359/838-851, 855-868, 871-881;
248/475.1, 476, 479-481, 485-487; 296/101.1
See application file for complete search history.

(56) **References Cited**

U.S. PATENT DOCUMENTS

D372,450 S *	8/1996	Santo	D12/187
D410,421 S *	6/1999	Pfeiffer	D12/187
D445,386 S *	7/2001	Sacco et al.	D12/187
D455,690 S *	4/2002	Lee	D12/187
D463,342 S *	9/2002	Sinkwitz	D12/187
D478,853 S *	8/2003	Boyer	D12/187
D511,127 S *	11/2005	Elmitt	D12/187
D543,918 S *	6/2007	Pfeiffer	D12/187

* cited by examiner

Primary Examiner—Stacia Cadmus

(74) *Attorney, Agent, or Firm*—Crowell & Moring LLP

(57) **CLAIM**

The ornamental design for a side mirror for a vehicle, as shown and described.

DESCRIPTION

This application is related to the following co-pending application, of the inventor:

Application Ser. No. 29/267,009, entitled “Surface Configuration of a Vehicle, Toy, and/or Other Replicas”.

FIG. 1 is a front perspective view of a first embodiment of a side mirror for a vehicle according to my novel design;

FIG. 2 is a rear perspective view thereof;

FIG. 3 is a front view thereof;

FIG. 4 is a rear view thereof;

FIG. 5 is a top view thereof;

FIG. 6 is a bottom view thereof; and

FIG. 7 is a side view thereof.

FIG. 8 is a front perspective view of a second embodiment of the side mirror for a vehicle according to my novel design;

FIG. 9 is a rear perspective view thereof;

FIG. 10 is a front view thereof;

FIG. 11 is a rear view thereof;

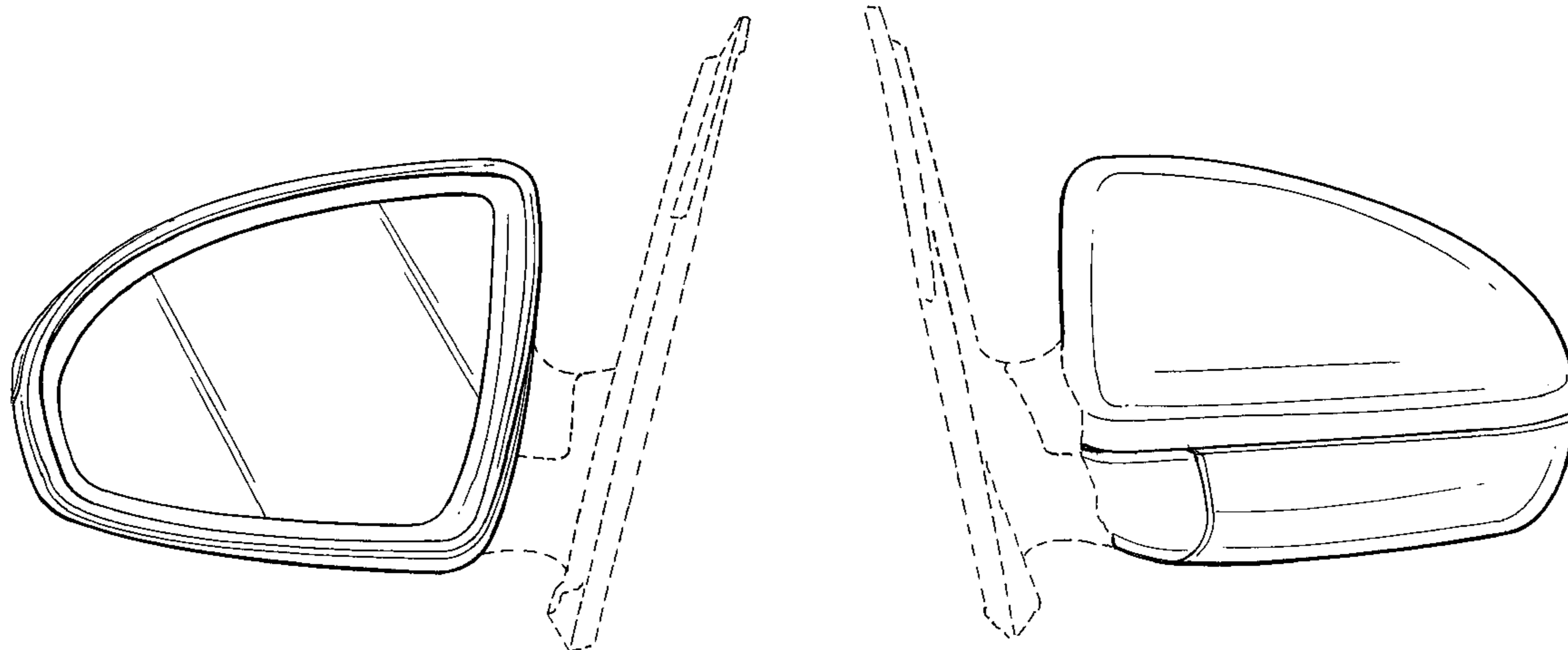
FIG. 12 is a top view thereof;

FIG. 13 is a bottom view thereof; and,

FIG. 14 is a side view thereof.

The broken lines are for illustrative purposes only and form no part of the claimed design.

1 Claim, 8 Drawing Sheets



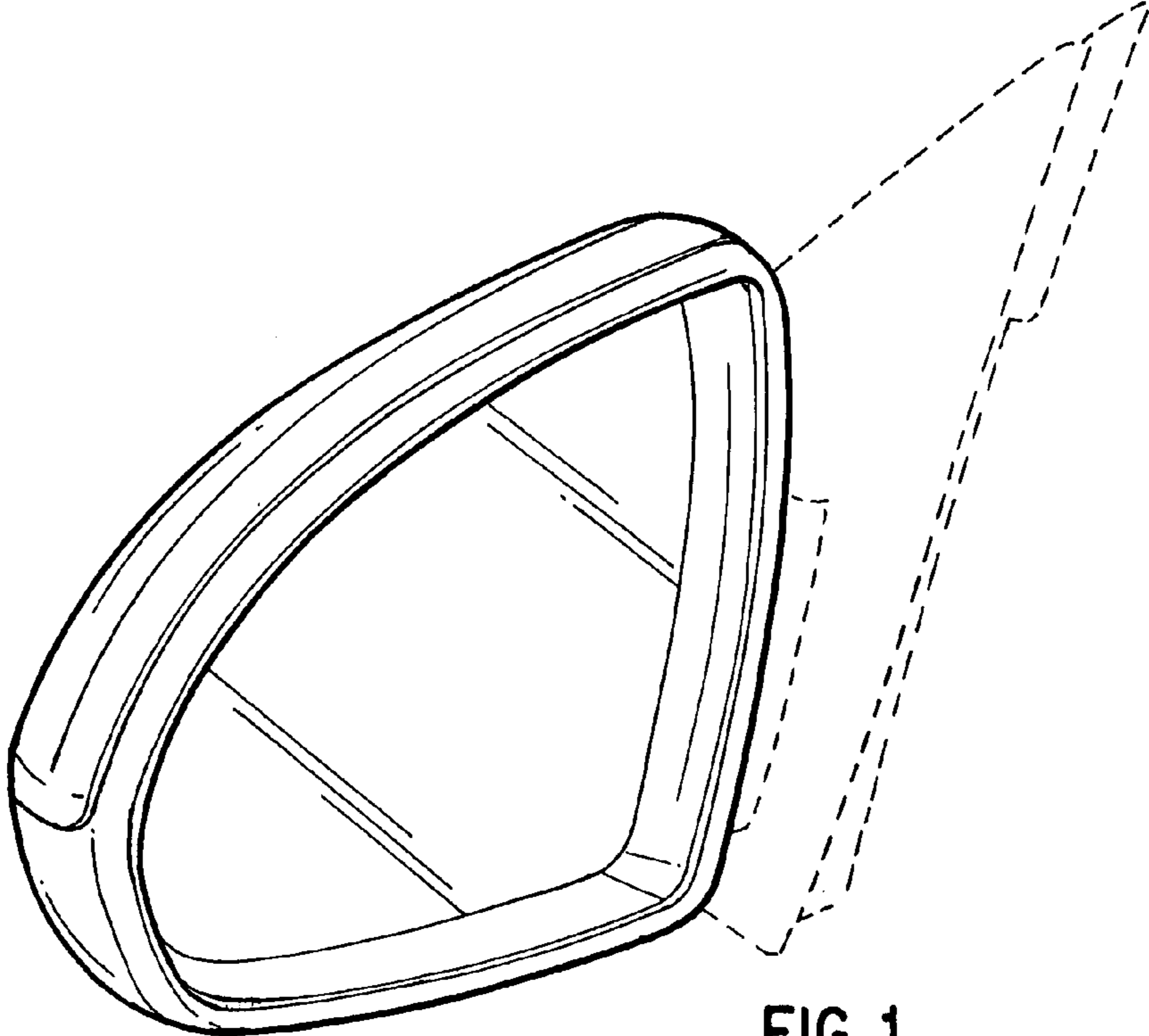


FIG. 1

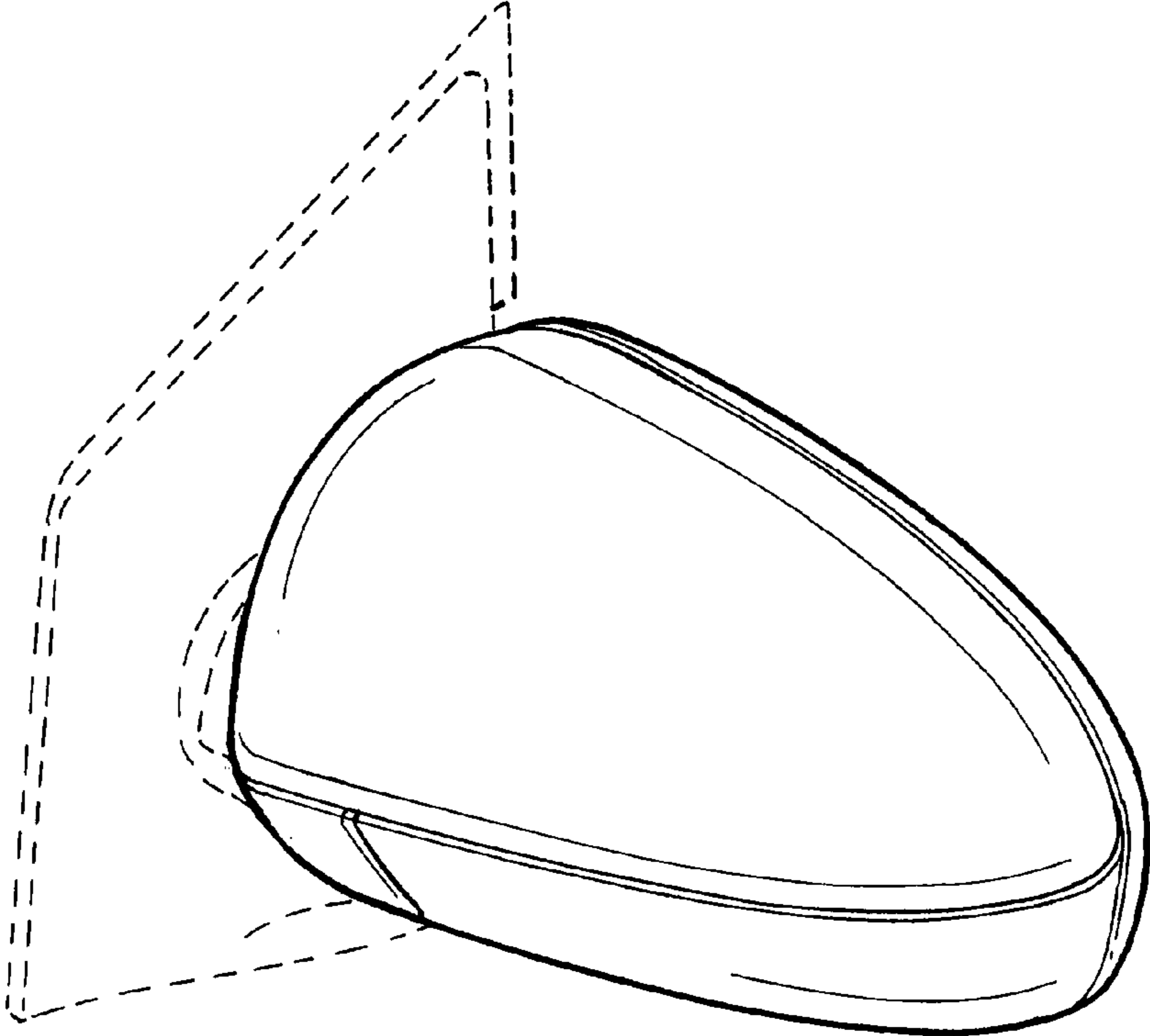


FIG. 2

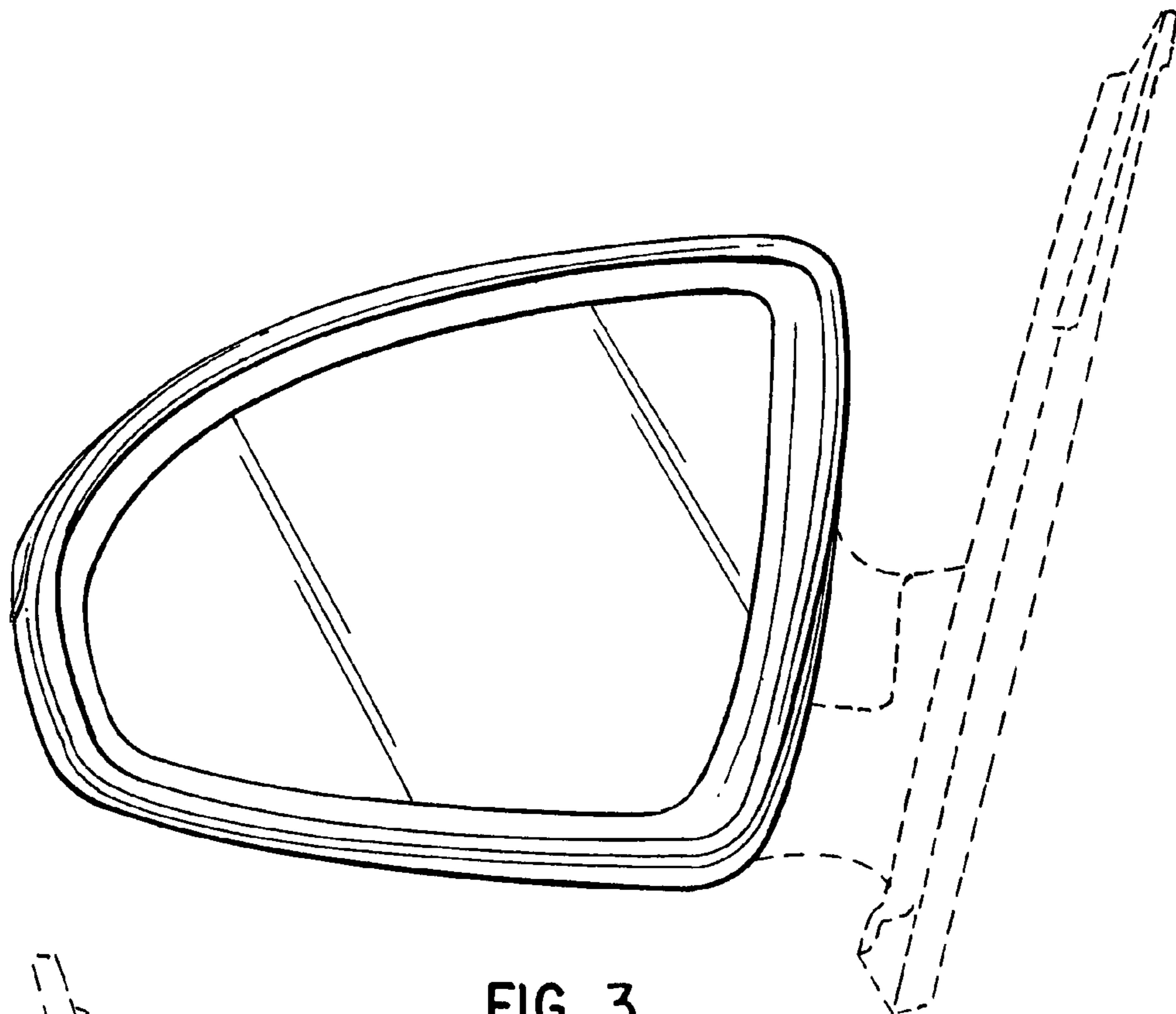


FIG. 3

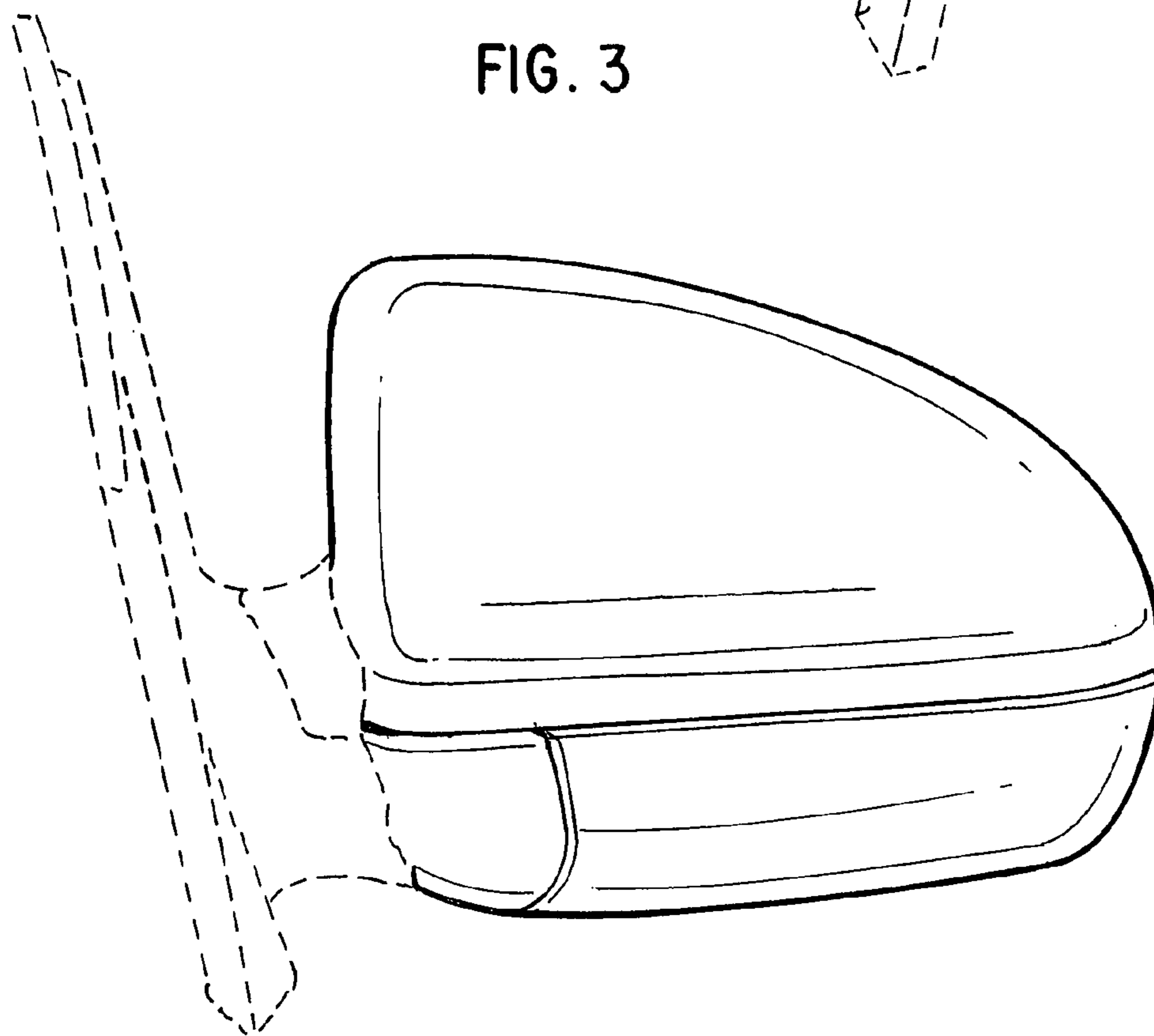


FIG. 4

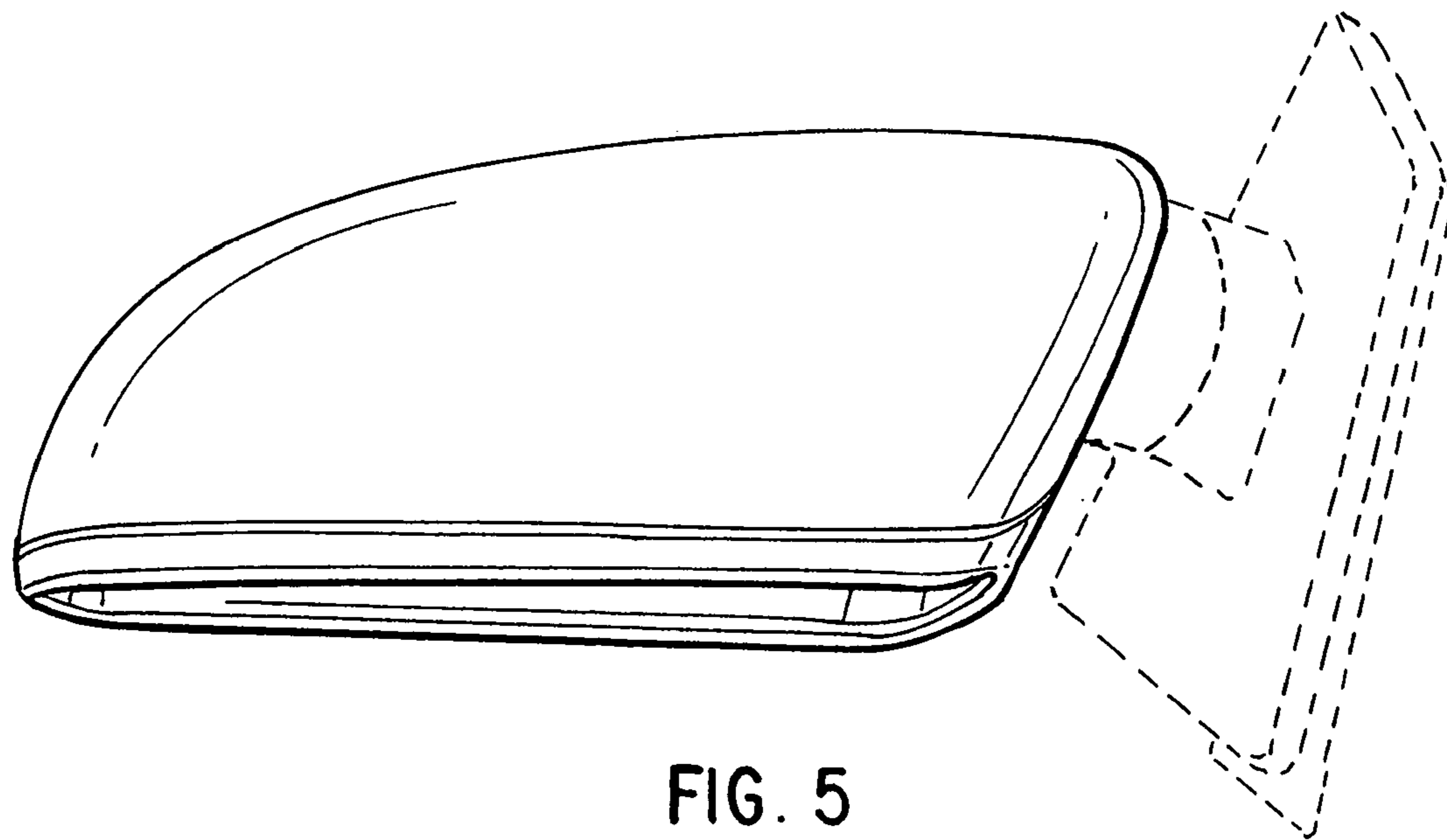


FIG. 5

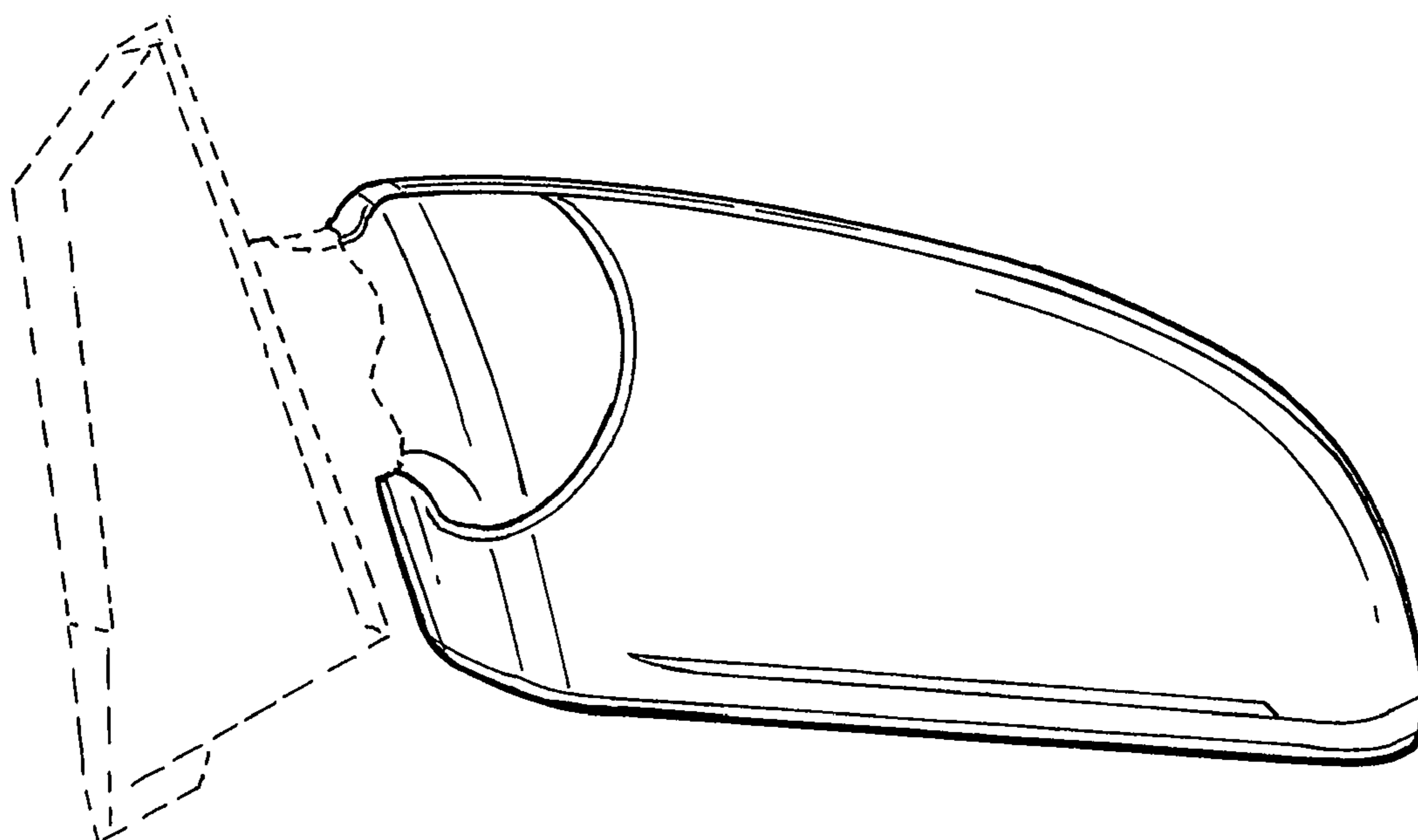


FIG. 6

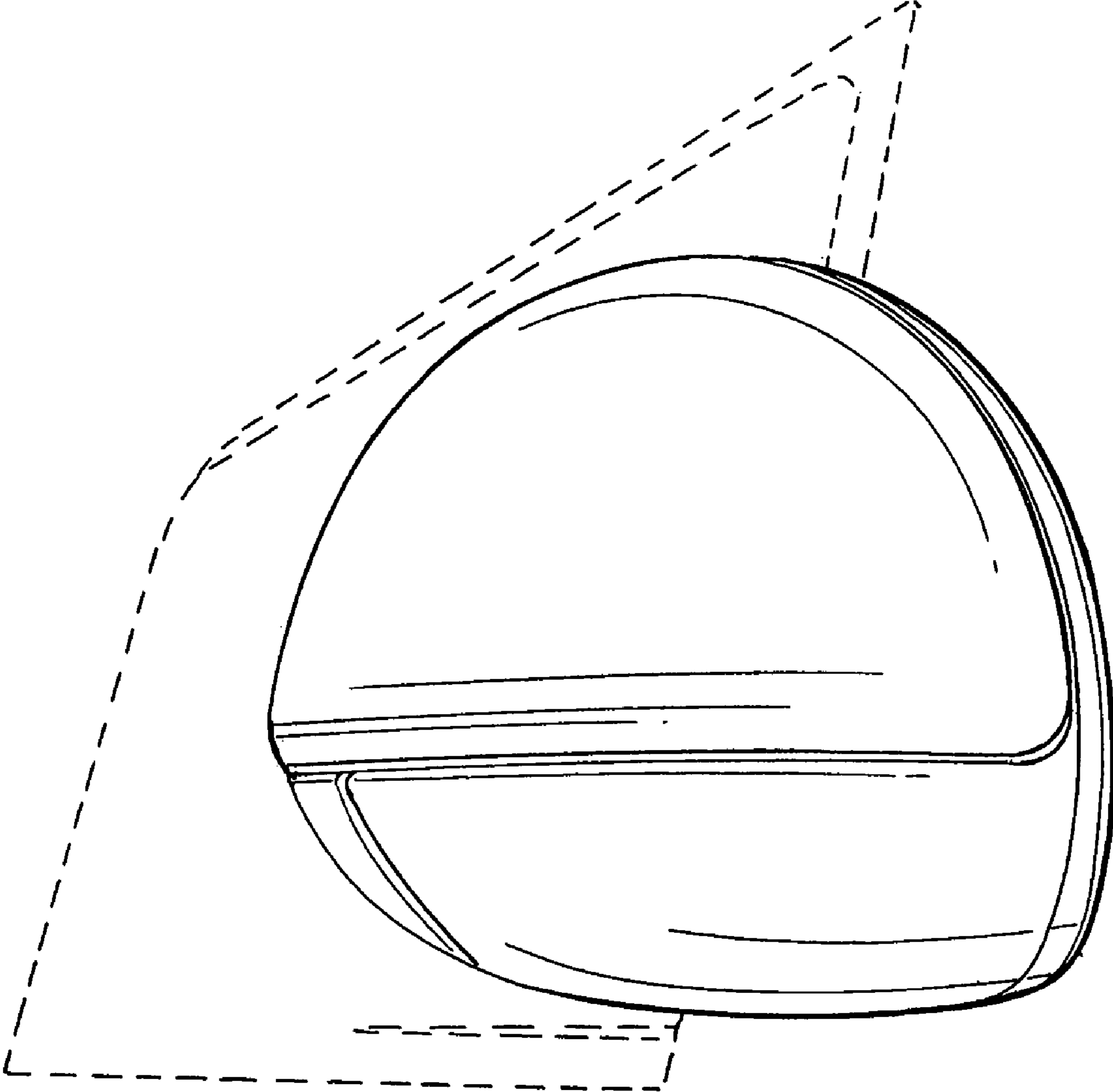


FIG. 7

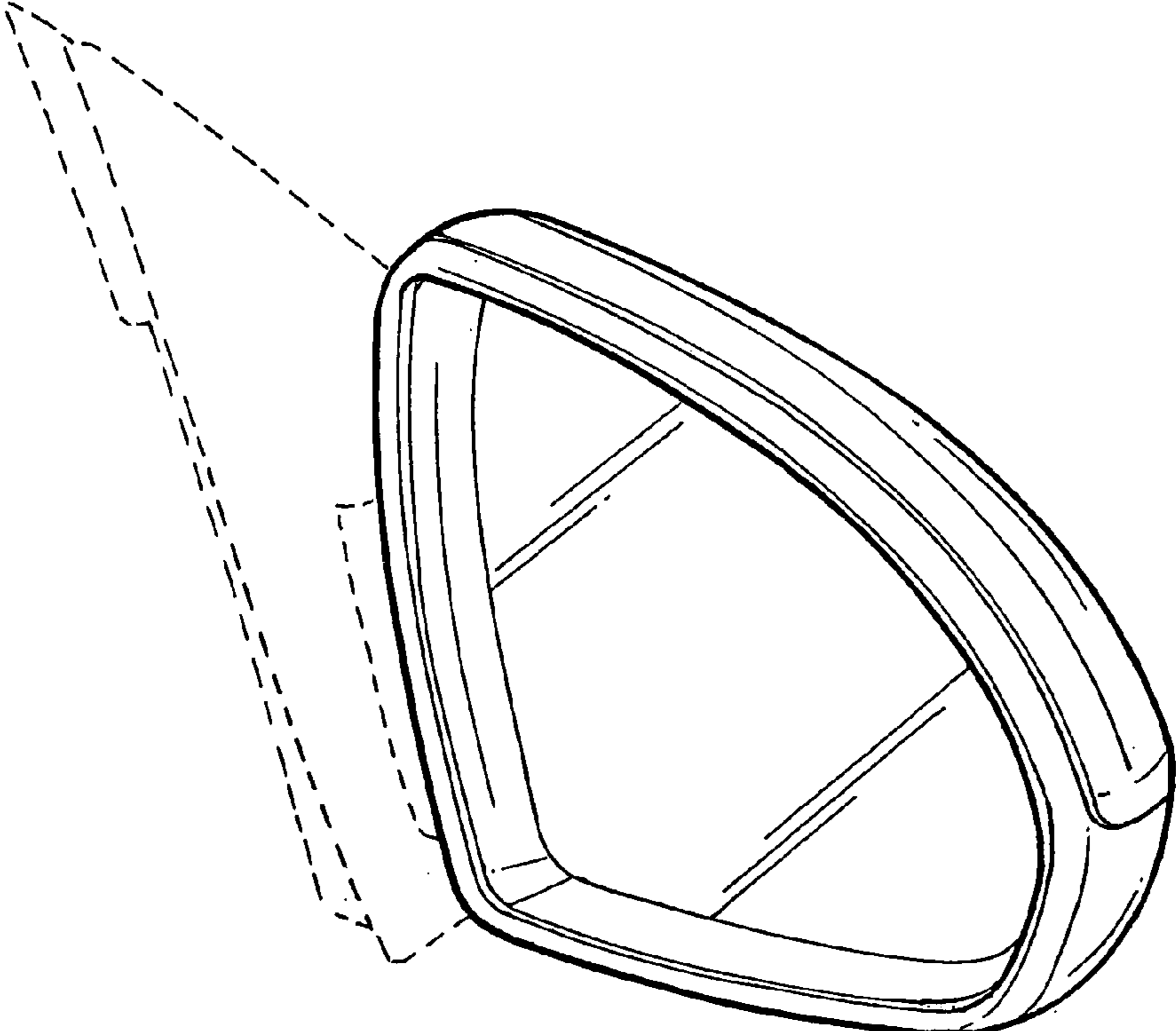


FIG. 8

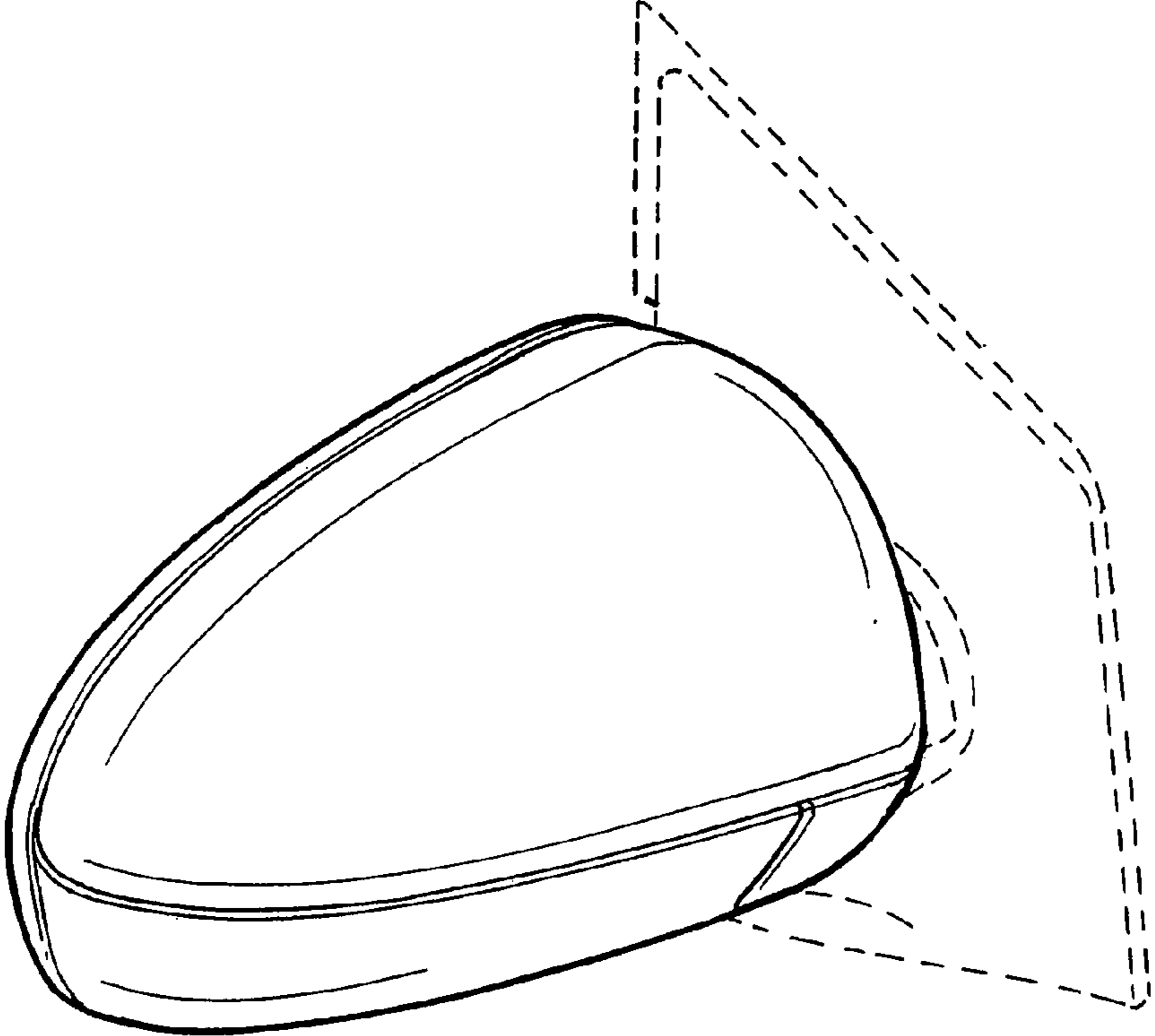


FIG. 9

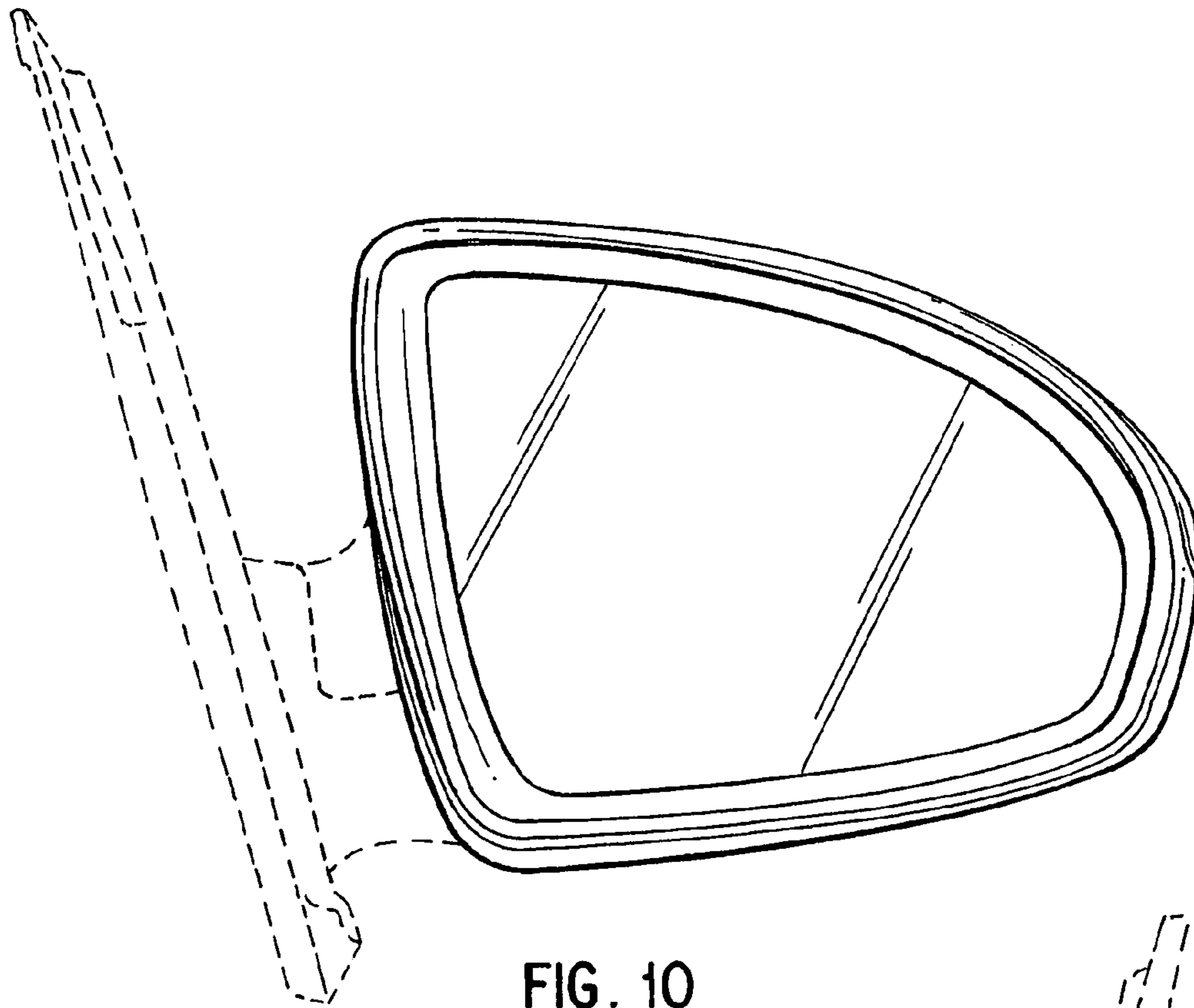


FIG. 10

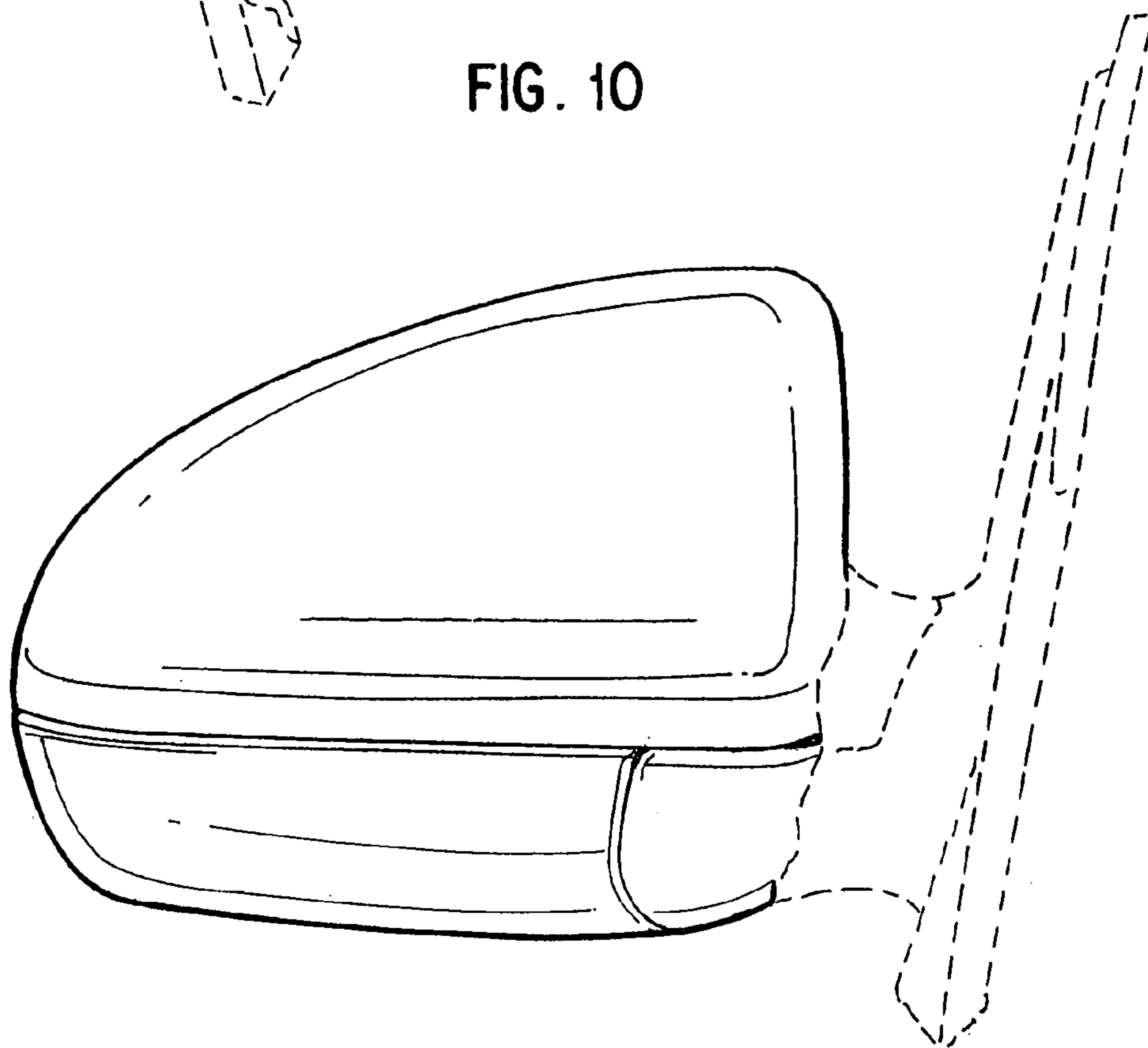


FIG. 11

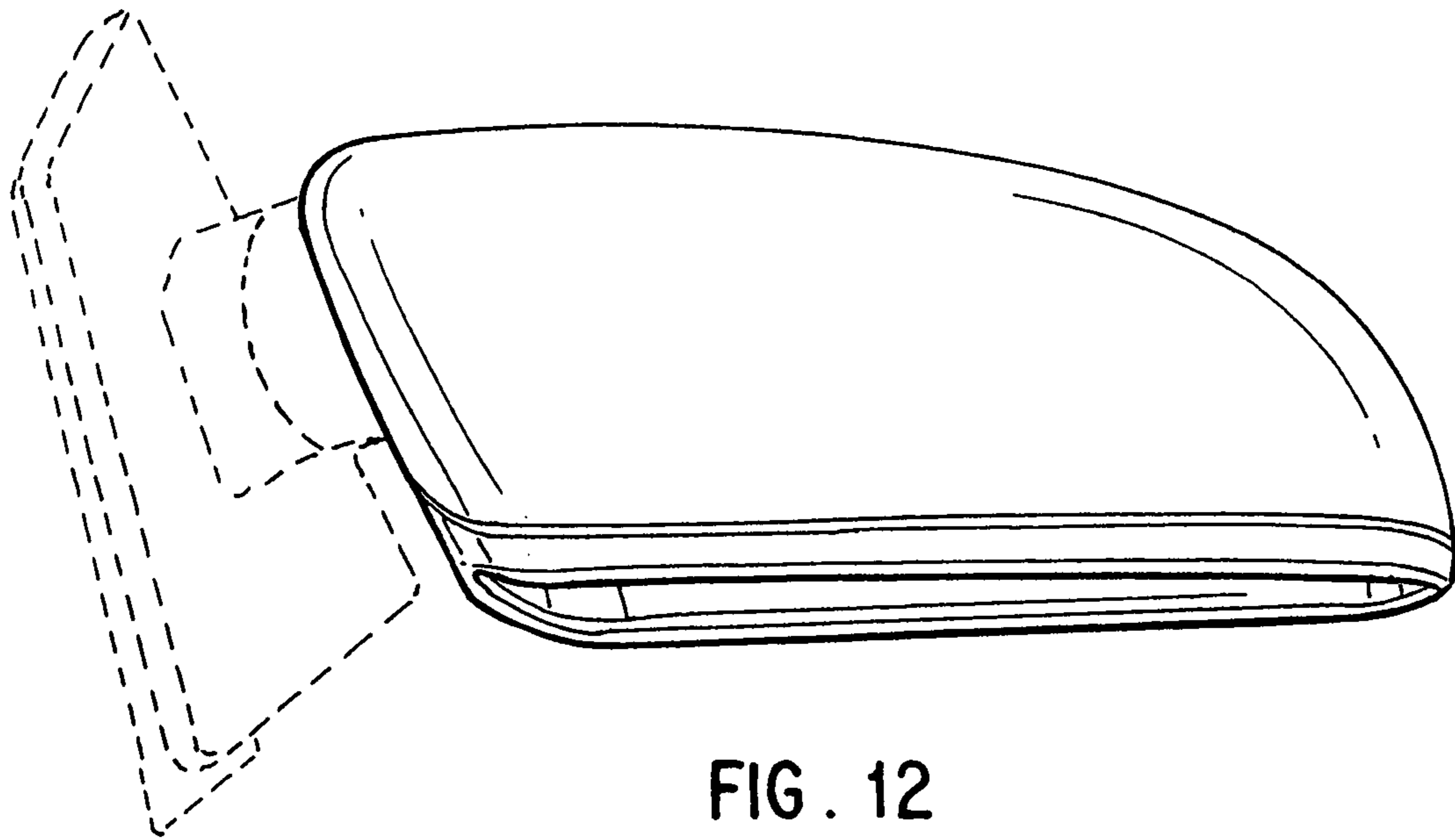


FIG. 12

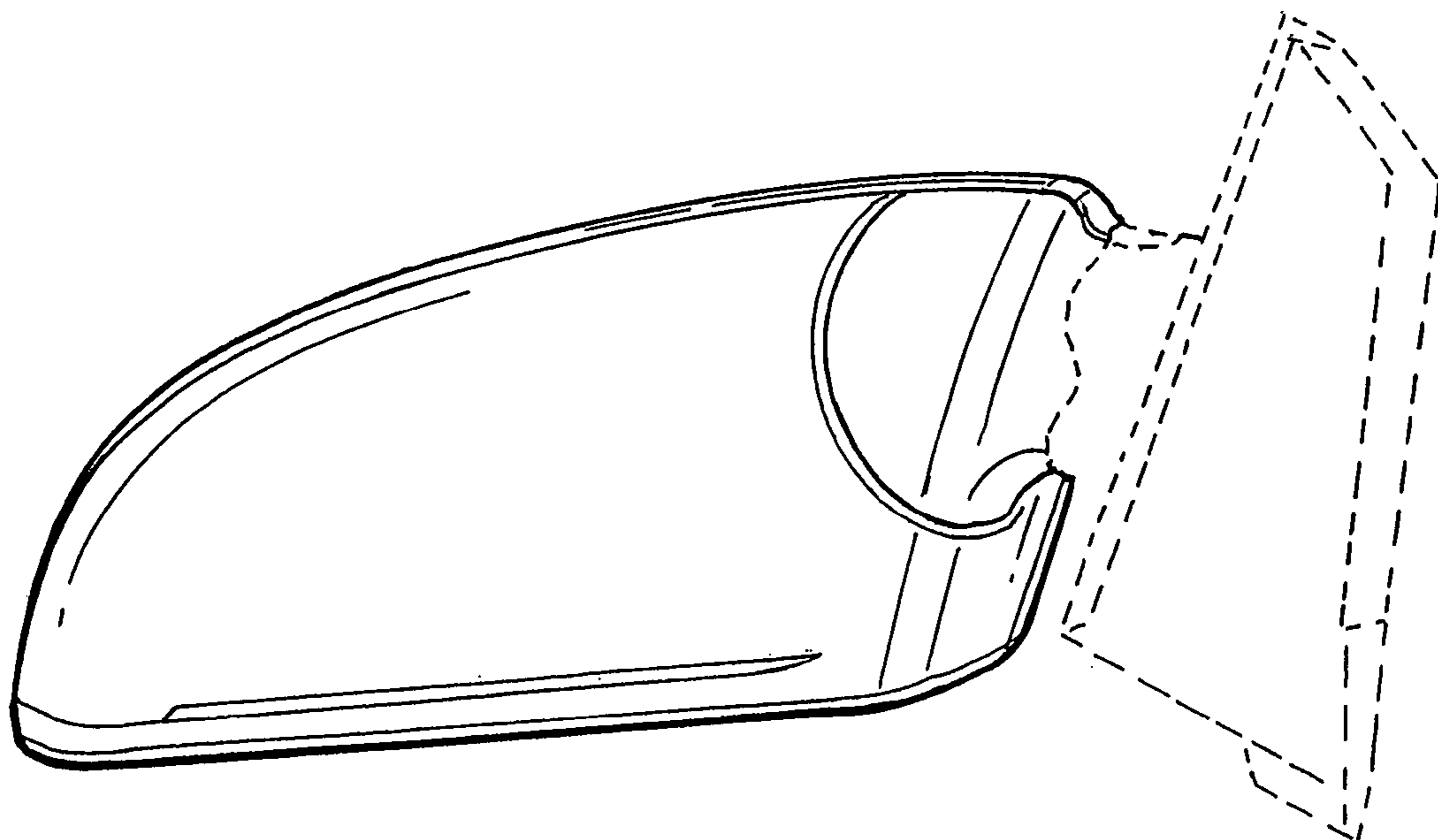


FIG. 13

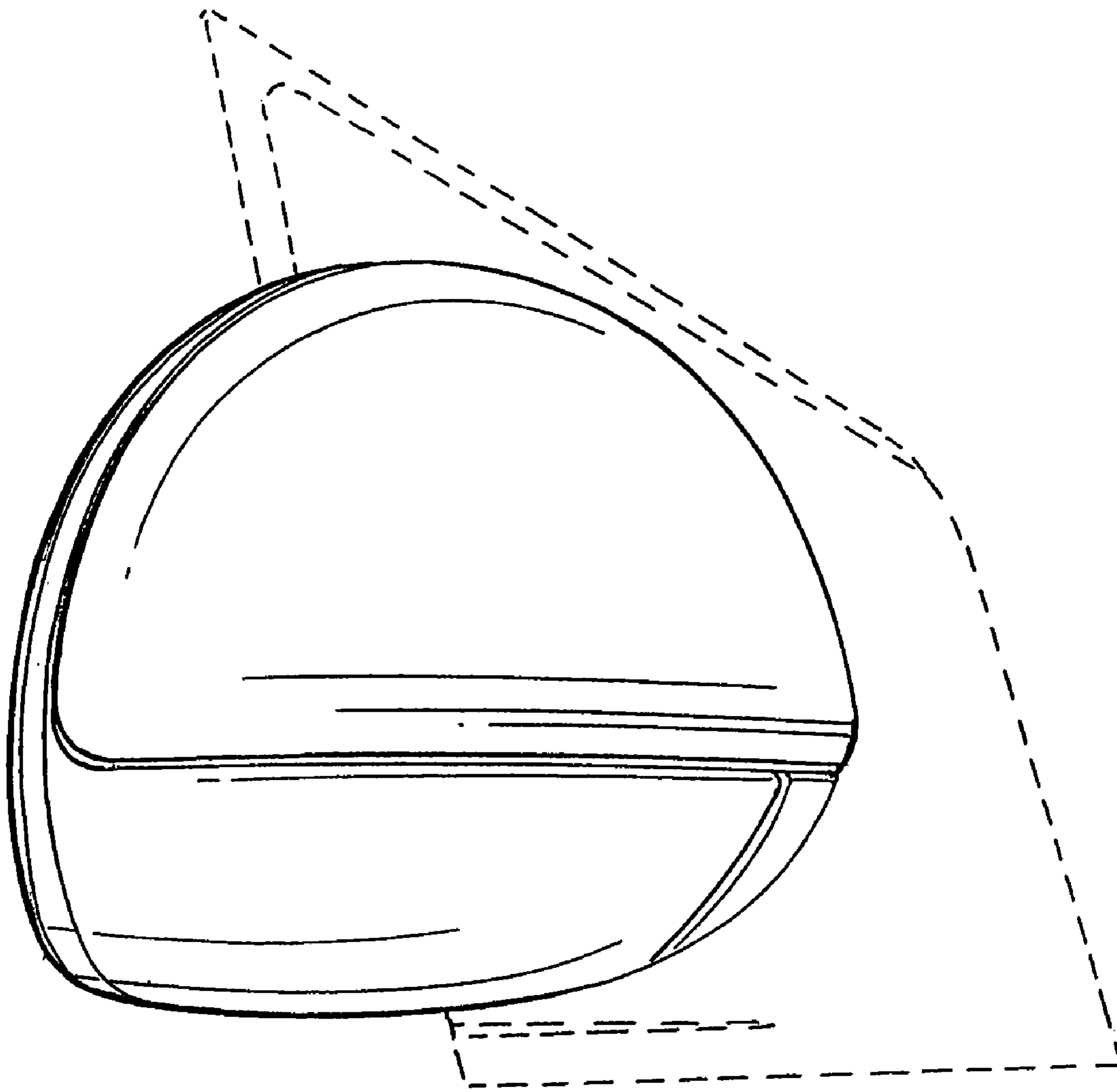


FIG. 14