

US00D549139S

(12) **United States Design Patent**  
**Pinkney**

(10) **Patent No.:** **US D549,139 S**

(45) **Date of Patent:** **\*\* Aug. 21, 2007**

(54) **AUTOMOTIVE GRILL**

(76) **Inventor:** **Reginald Pinkney**, 7710 E. Kings Hwy., Apt. 43, Shreveport, LA (US) 71115

(\*\*) **Term:** **14 Years**

(21) **Appl. No.:** **29/267,607**

(22) **Filed:** **Oct. 18, 2006**

(51) **LOC (8) Cl.** ..... **12-16**

(52) **U.S. Cl.** ..... **D12/163; D12/216**

(58) **Field of Classification Search** ..... D12/163, D12/171, 90, 92, 216; 180/68.1, 68.6; 296/193.1  
See application file for complete search history.

(56) **References Cited**

**U.S. PATENT DOCUMENTS**

D533,119 S *	12/2006	Schiavone et al. ....	D12/163
D535,224 S *	1/2007	Kubota et al. ....	D12/163
D535,591 S *	1/2007	Schiavone .....	D12/163

\* cited by examiner

*Primary Examiner*—Melody N. Brown

(74) *Attorney, Agent, or Firm*—R. Keith Harrison

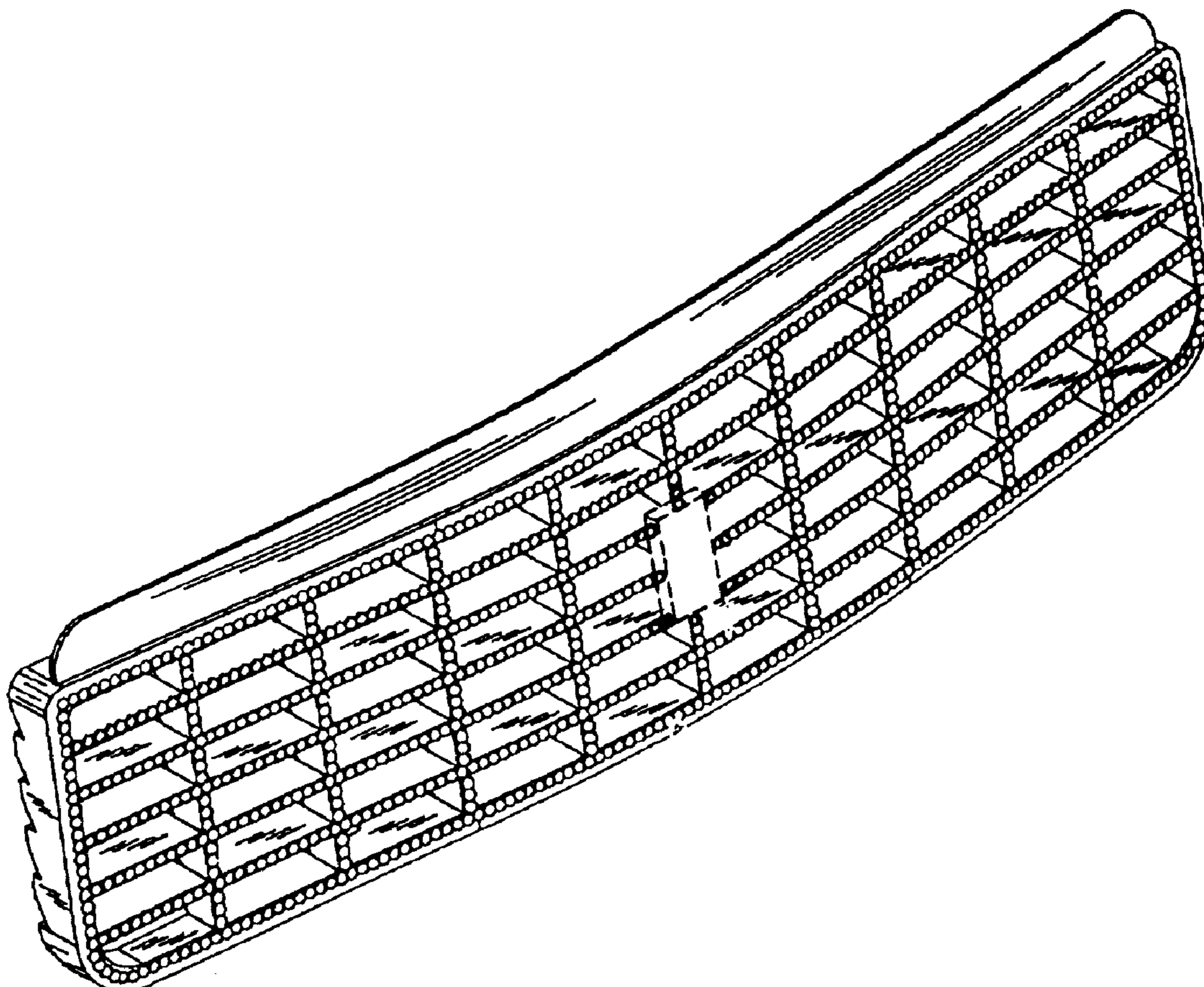
(57) **CLAIM**

The ornamental design for an “automotive grill”, as shown and described.

**DESCRIPTION**

FIG. 1 is a front perspective view of the automotive grill; FIG. 2 is a rear perspective view of the automotive grill; FIG. 3 is a right side view of the automotive grill, the left side view of the automotive grill being a mirror image of the right side view of the automotive grill; FIG. 4 is a front view of the automotive grill; FIG. 5 is a rear view of the automotive grill; FIG. 6 is a top view of the automotive grill; and, FIG. 7 is a bottom view of the automotive grill.

**1 Claim, 2 Drawing Sheets**



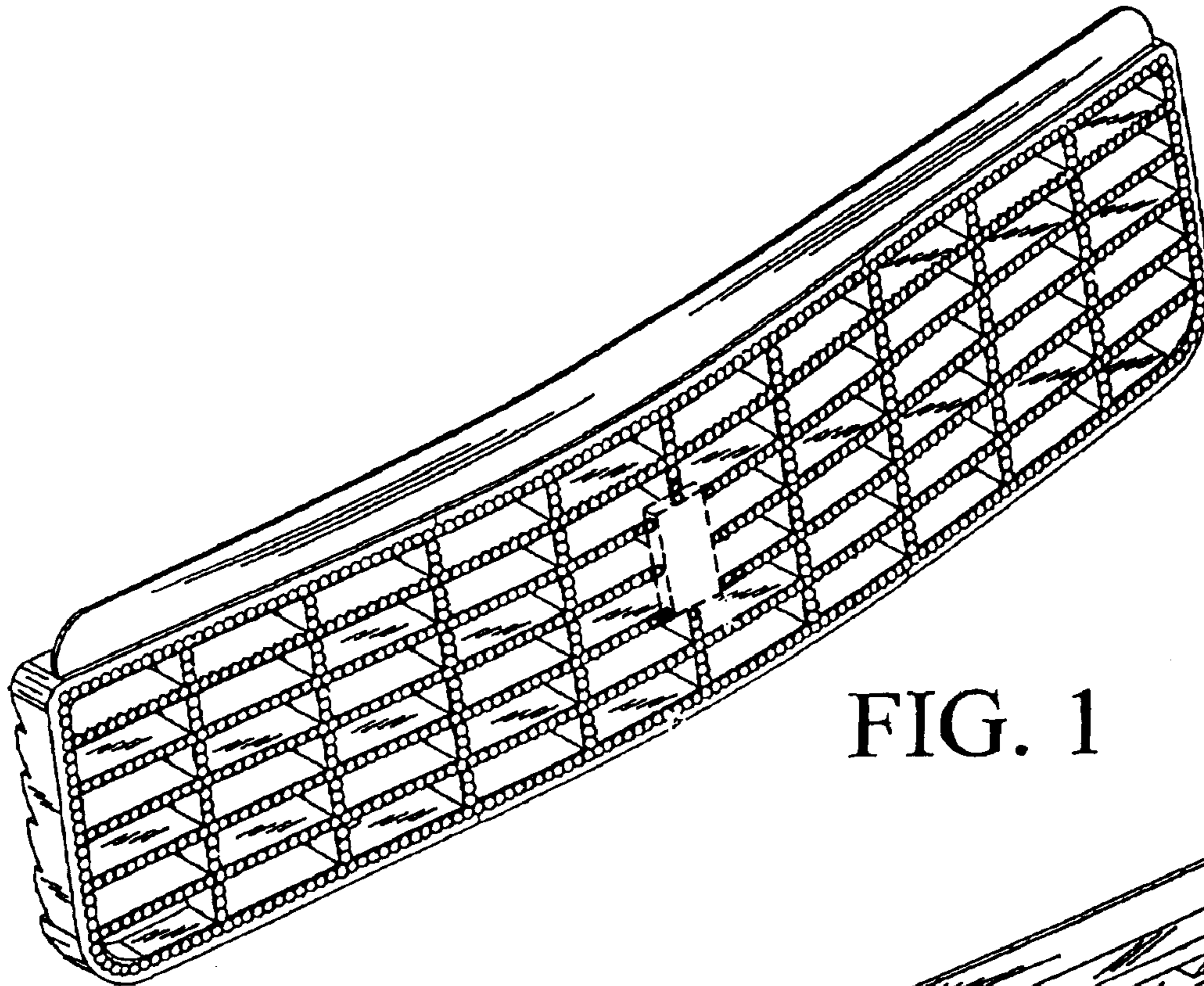


FIG. 1

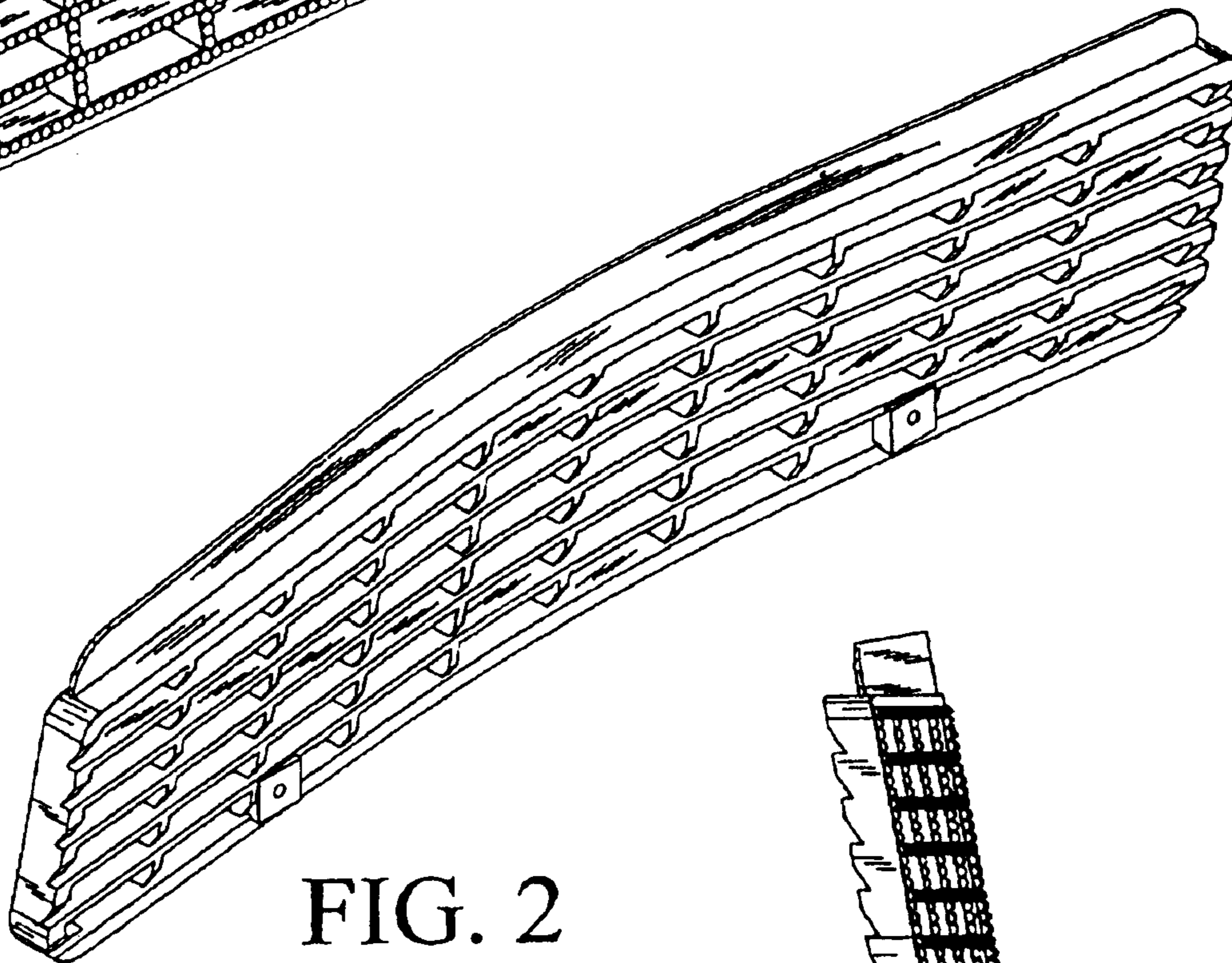


FIG. 2

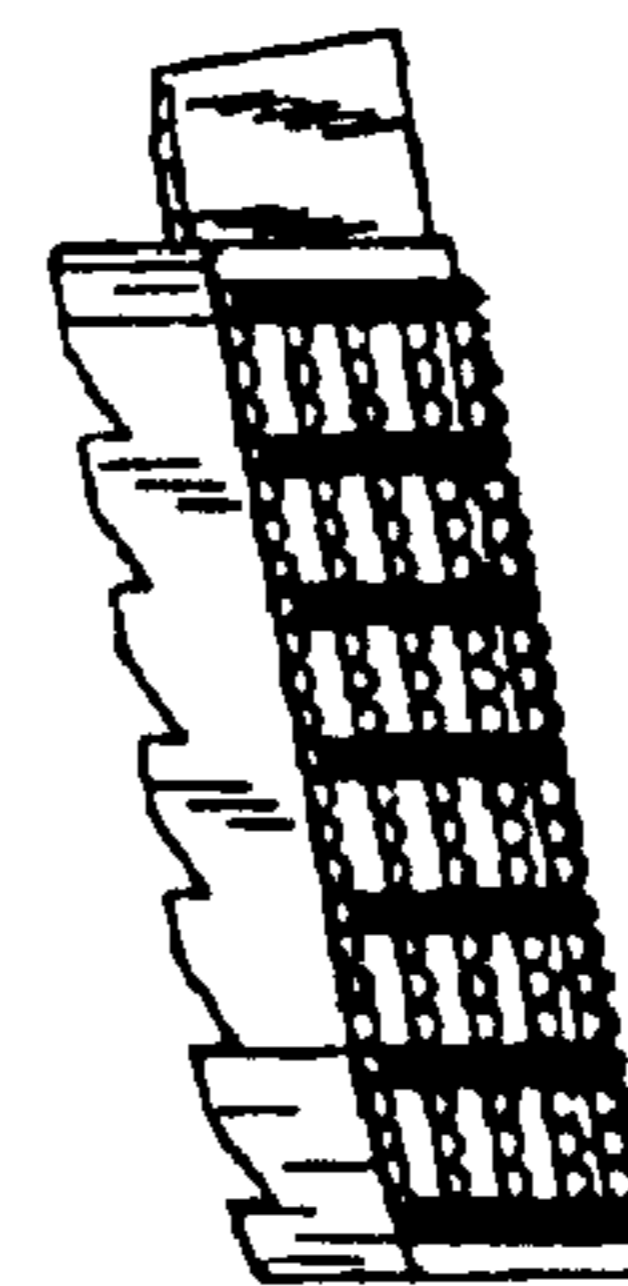


FIG. 3

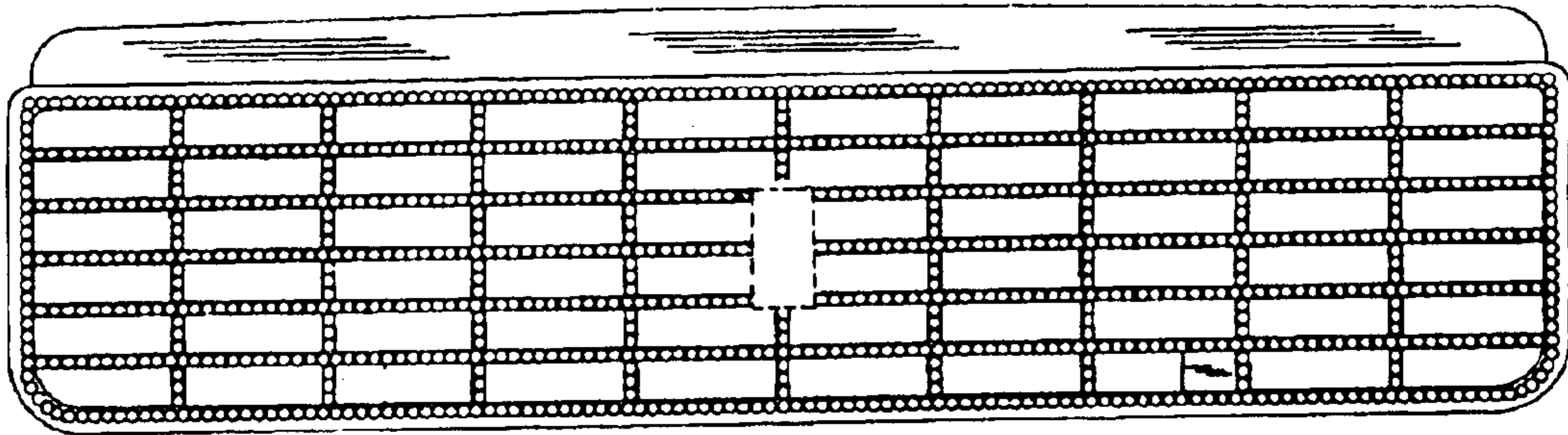


FIG. 4

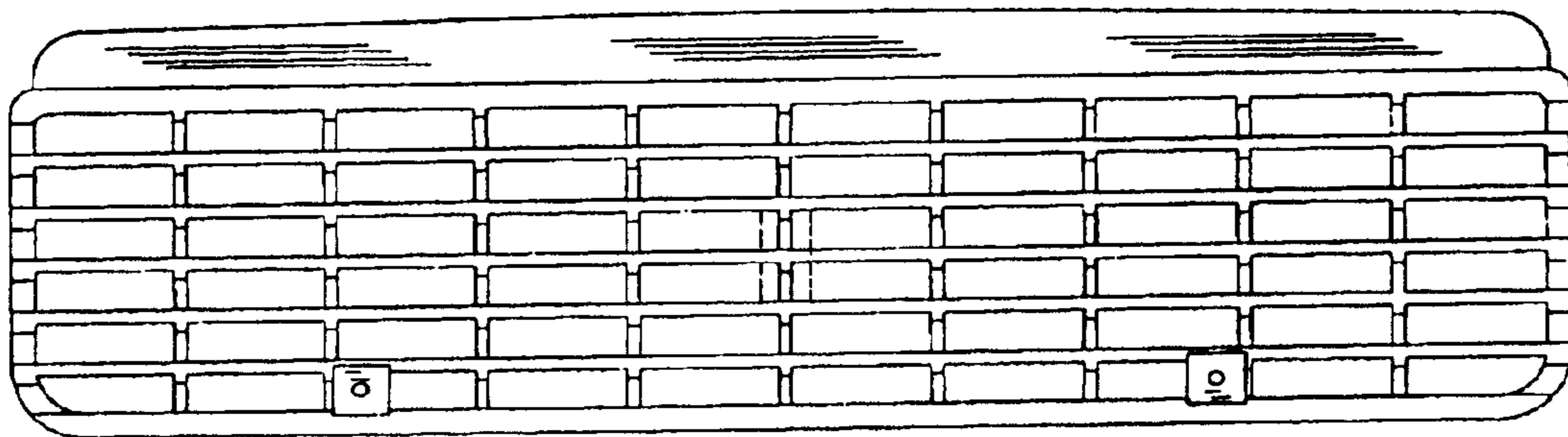


FIG. 5

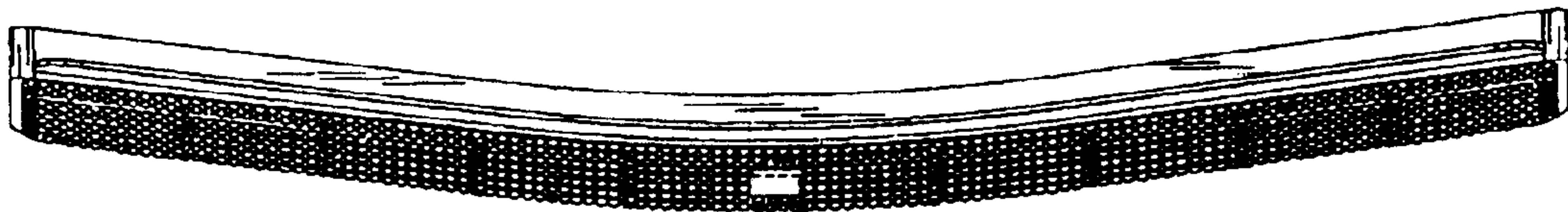


FIG. 6

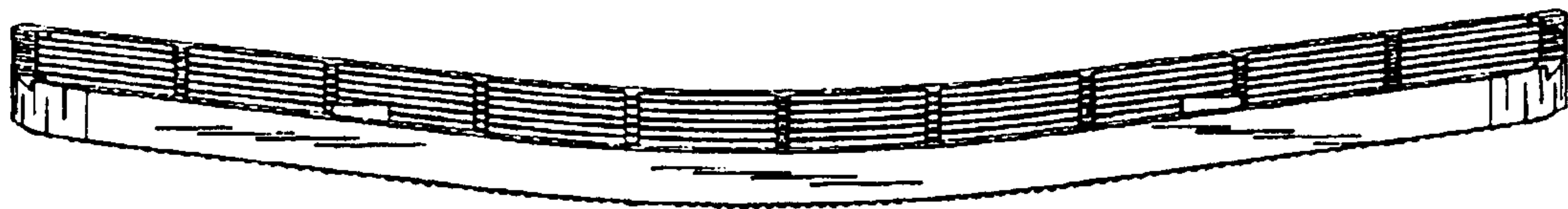


FIG. 7