



US00D549138S

(12) **United States Design Patent**  
**Tanaka et al.**

(10) **Patent No.:** **US D549,138 S**

(45) **Date of Patent:** **\*\* Aug. 21, 2007**

(54) **KNEE GRIP COVER FOR MOTORCYCLES**

4,068,859 A \* 1/1978 Dittman ..... 280/304.4

(75) Inventors: **Shunji Tanaka**, Kobe (JP); **Keishi Fukumoto**, Akashi (JP); **Kaoru Kouchi**, Kakogawa (JP)

\* cited by examiner

*Primary Examiner*—Alan P. Douglas  
*Assistant Examiner*—Linda Brooks

(73) Assignee: **Kawasaki Jukogyo Kabushiki Kaisha**, Hyogo (JP)

(57) **CLAIM**

(\*\*) Term: **14 Years**

The ornamental design for a knee grip cover for motorcycles, as shown and described.

(21) Appl. No.: **29/255,872**

**DESCRIPTION**

(22) Filed: **Mar. 13, 2006**

(30) **Foreign Application Priority Data**

Sep. 14, 2005 (JP) ..... 2005-026531

(51) **LOC (8) Cl.** ..... **12-11**

(52) **U.S. Cl.** ..... **D12/114**

(58) **Field of Classification Search** ..... D12/110,  
D12/114, 126, 186; 280/288.4, 304.3, 304.4;  
180/219; 296/78.1, 193.01, 193.05

See application file for complete search history.

FIG. 1 is a front elevational view of a knee grip cover for motorcycles showing our new design;  
FIG. 2 is a rear elevational view thereof;  
FIG. 3 is a left side elevational view thereof;  
FIG. 4 is a right side elevational view thereof;  
FIG. 5 is a top plan view thereof;  
FIG. 6 is a bottom plan view thereof;  
FIG. 7 is a perspective view thereof; and,  
FIG. 8 is a reference view of the knee grip cover for motorcycles from the right side of a motorcycle, shown on a reduced scale and in position of use.

The broken lines shown are for illustrative purposes only and form no part of the claimed design.

(56) **References Cited**

**U.S. PATENT DOCUMENTS**

1,753,826 A \* 4/1930 Gaisman ..... 280/304.4

**1 Claim, 3 Drawing Sheets**

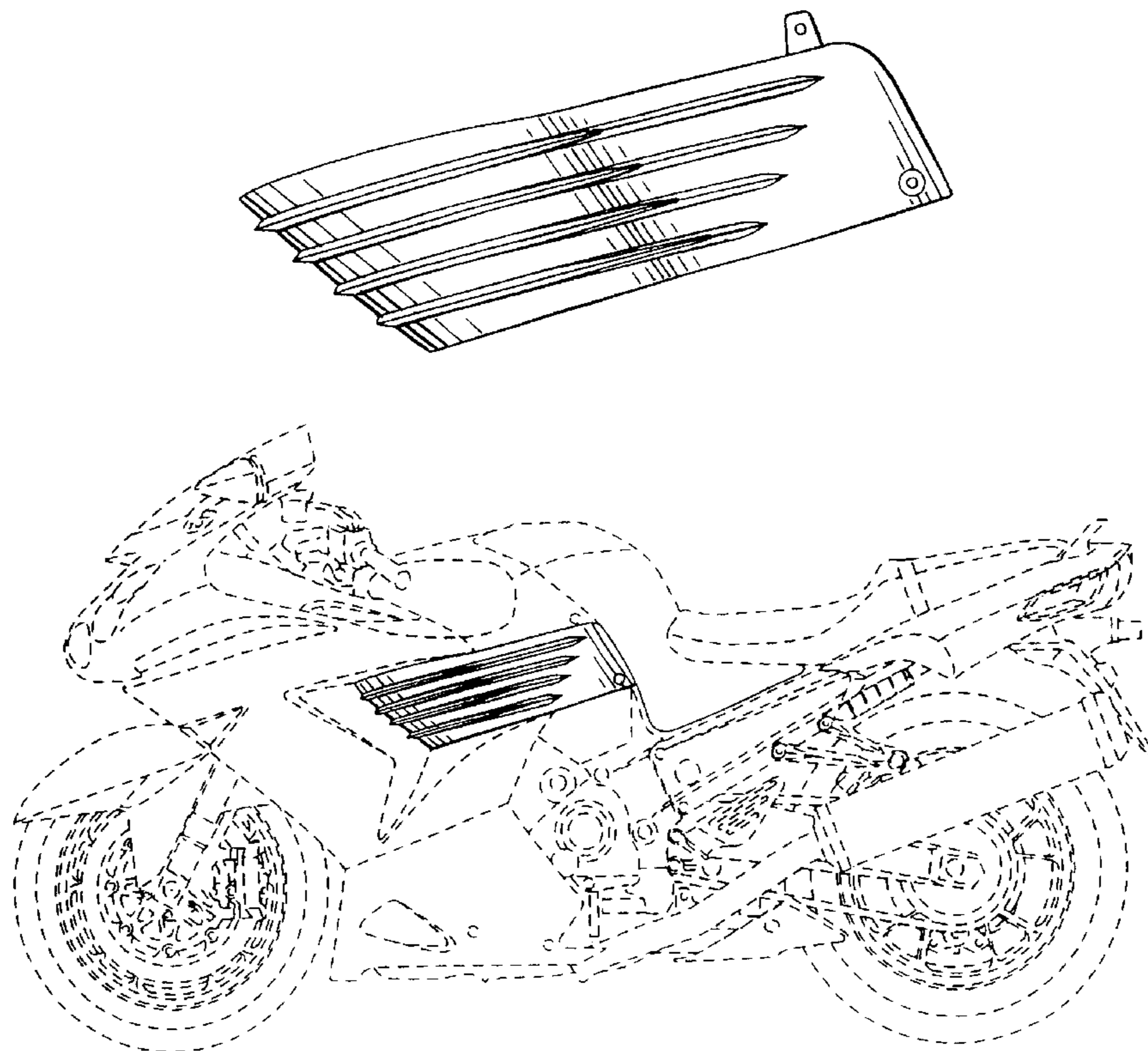


Fig. 1

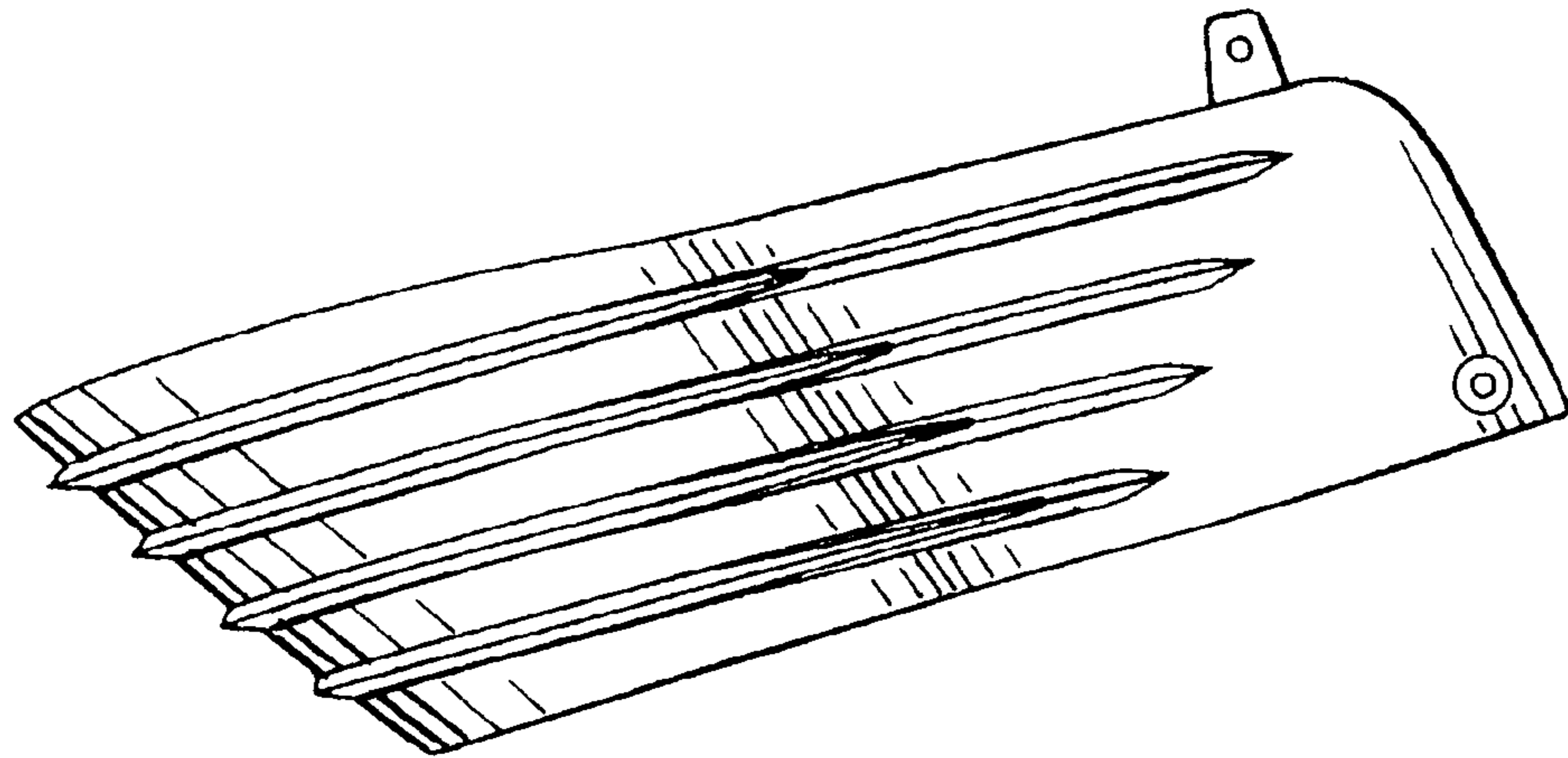


Fig. 2

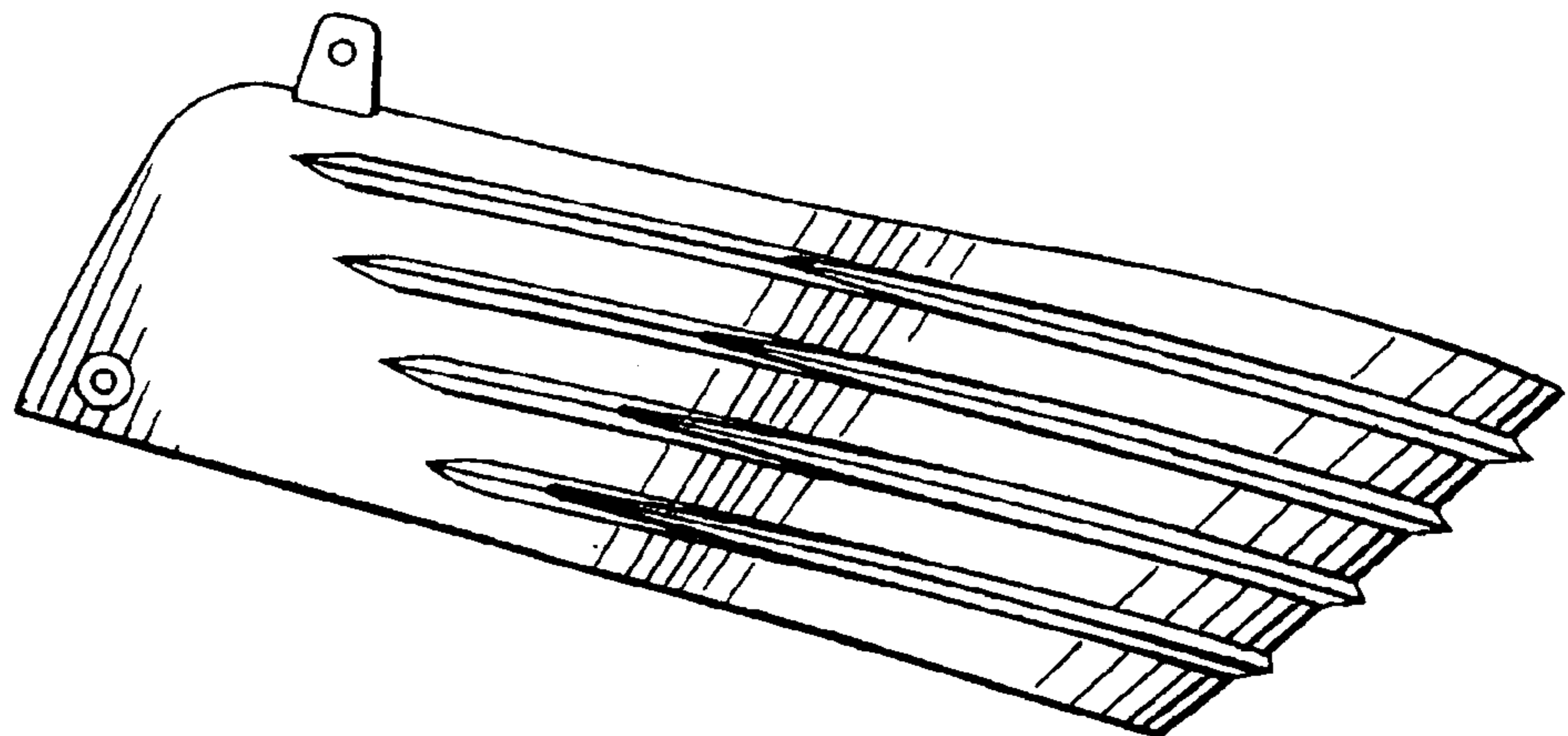


Fig. 3

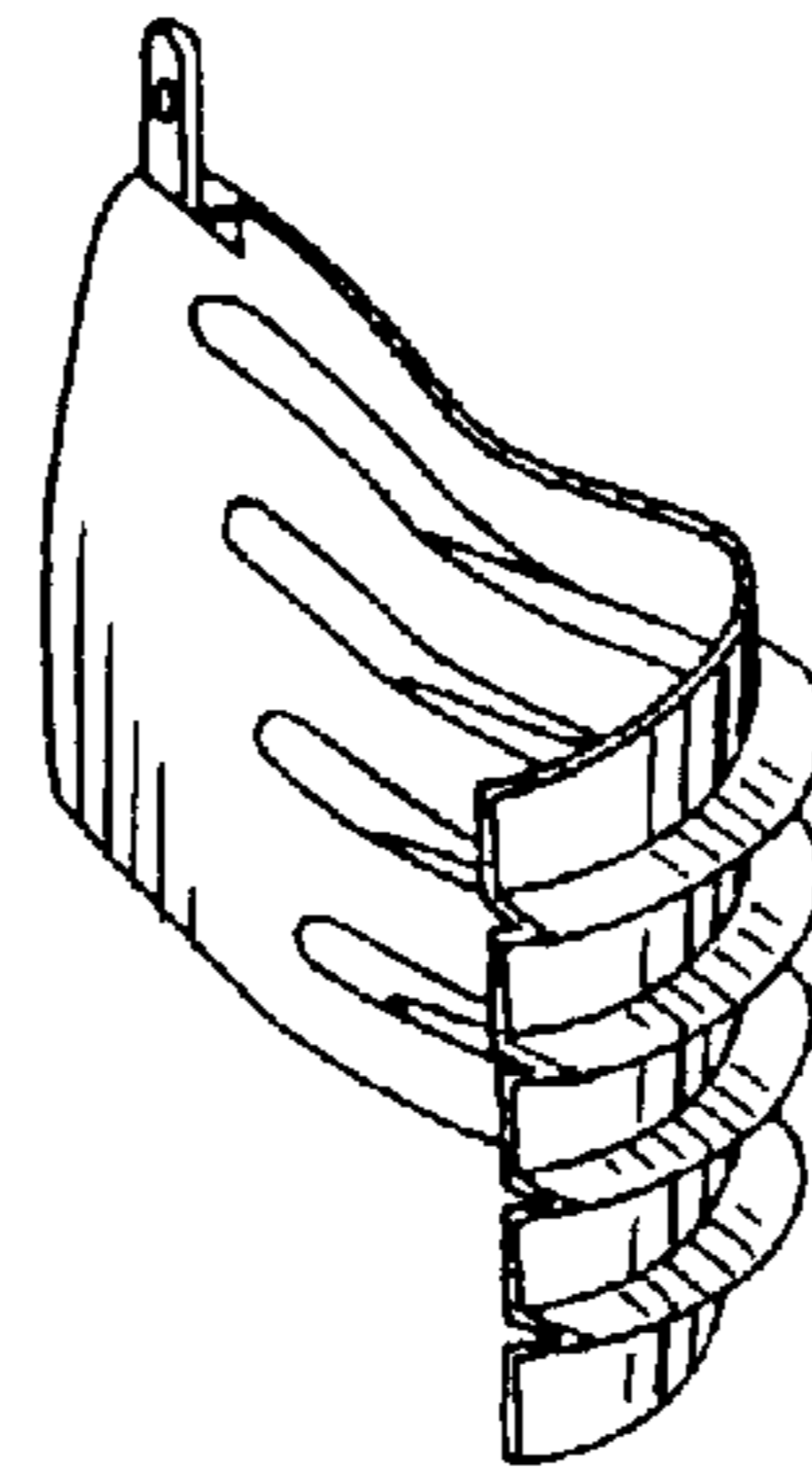


Fig. 4

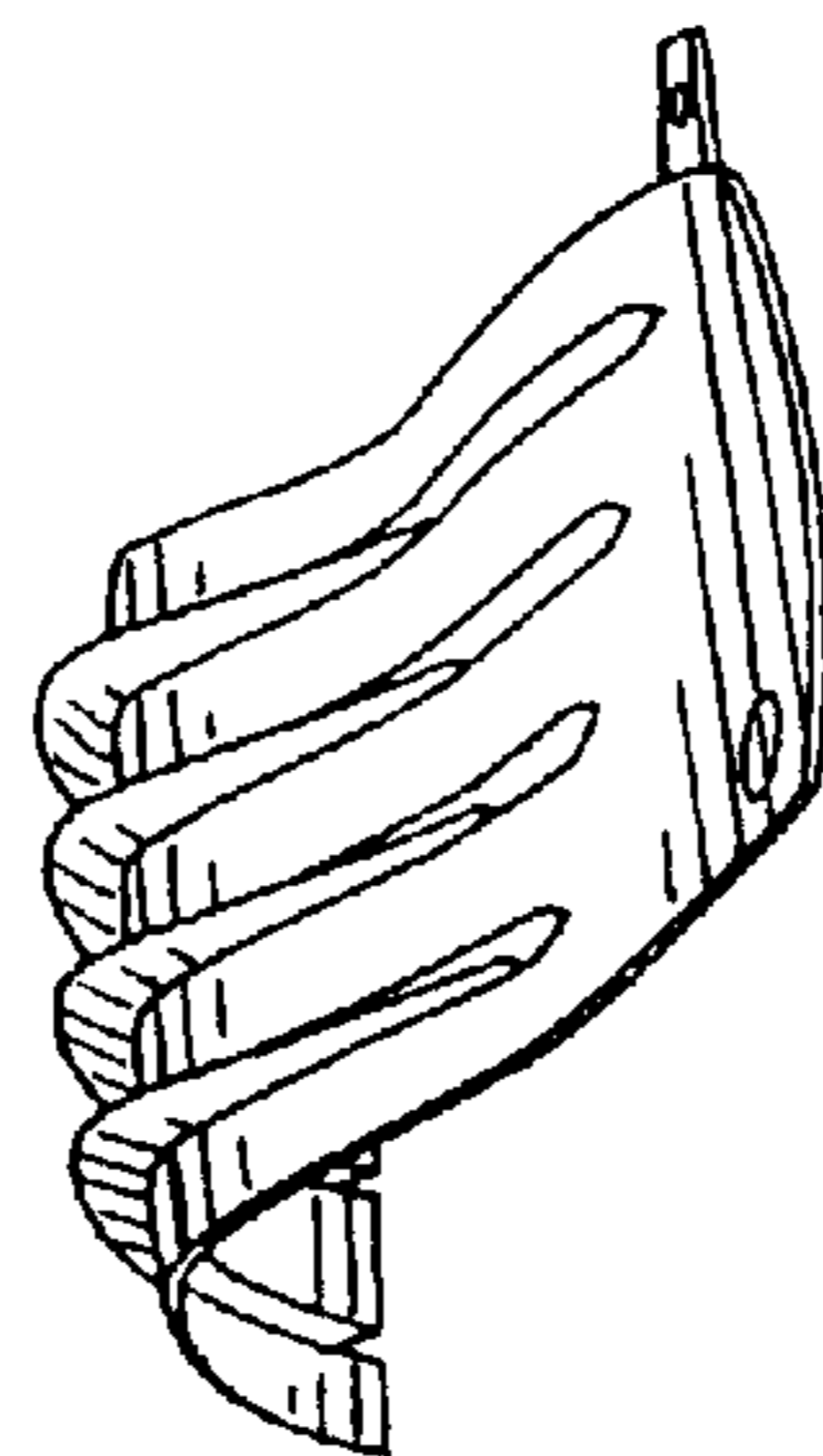


Fig. 5

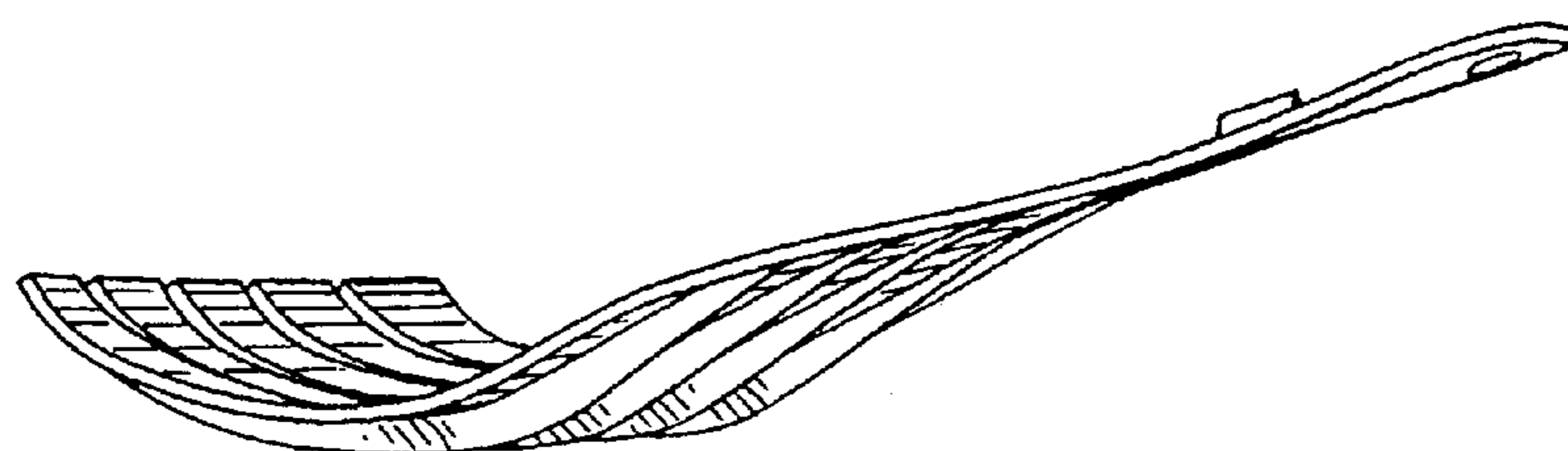


Fig. 6

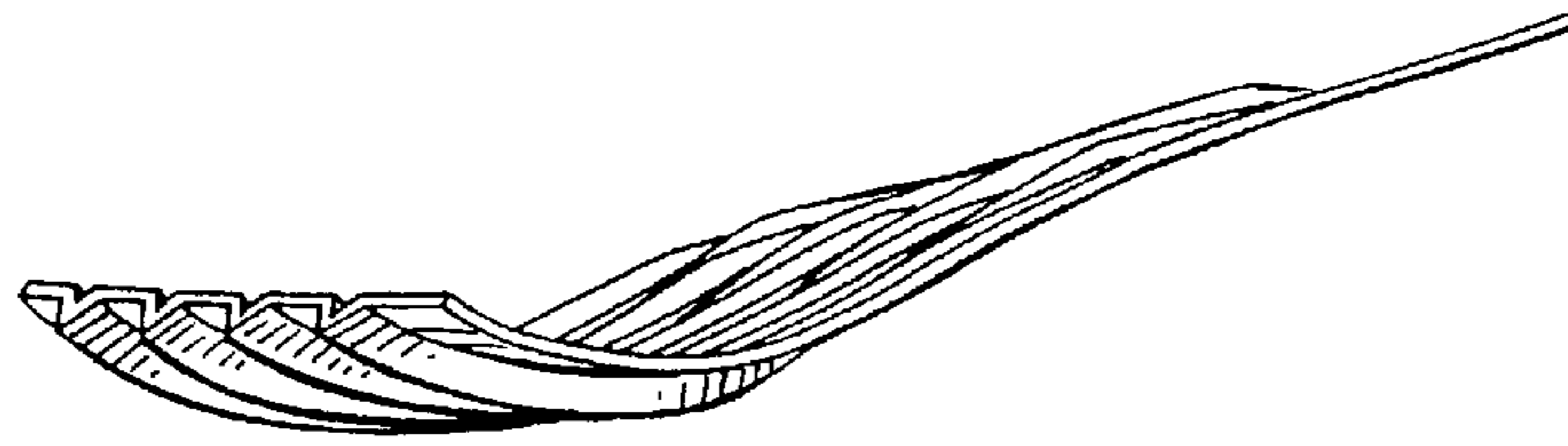


Fig. 7

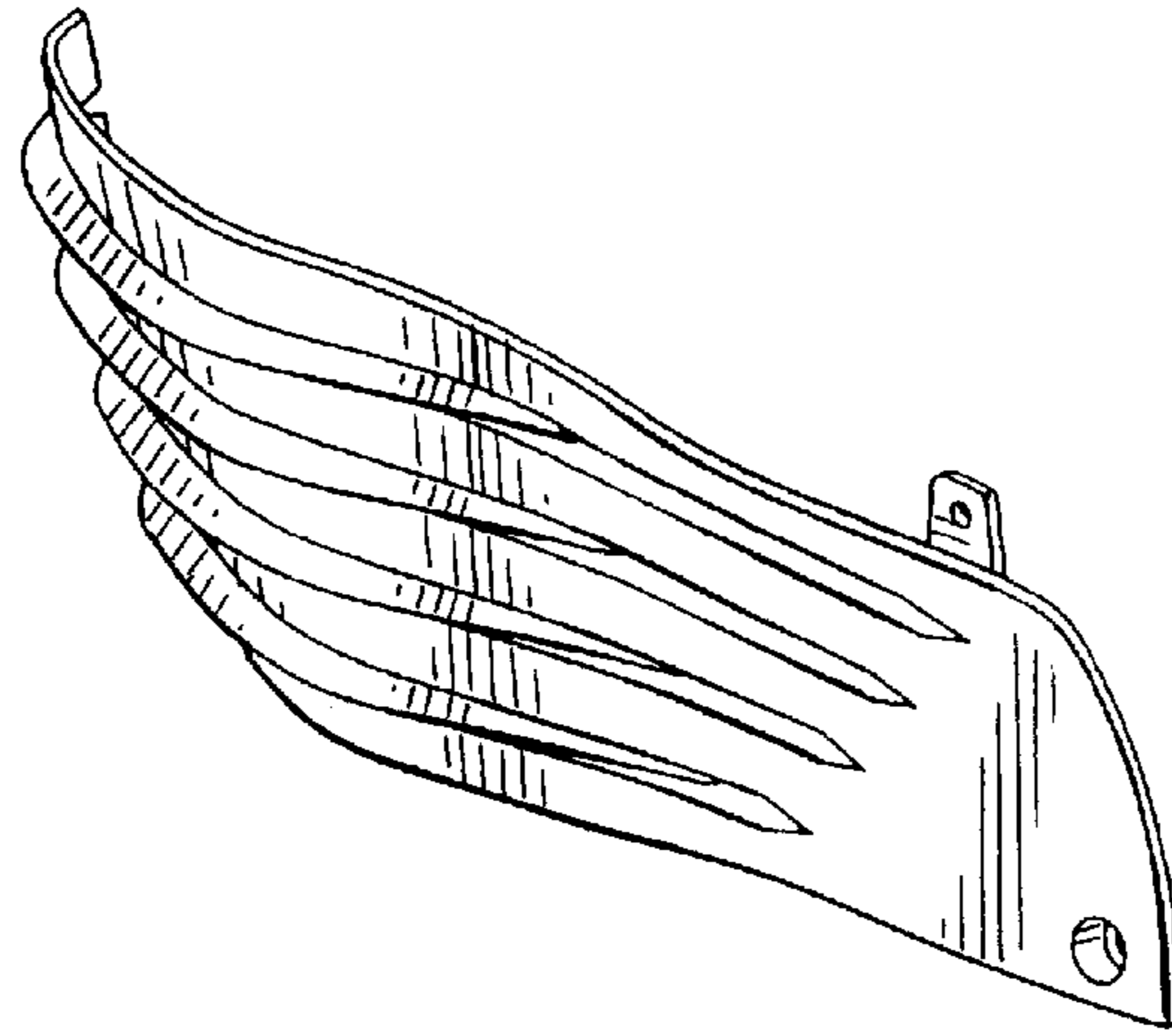


Fig. 8

