

US00D549137S

(12) **United States Design Patent**
Heinrich et al.

(10) **Patent No.:** **US D549,137 S**

(45) **Date of Patent:** **** Aug. 21, 2007**

(54) **SURFACE CONFIGURATION OF A
MOTORCYCLE, TOY, AND/OR OTHER
REPLICAS**

Primary Examiner—Alan P. Douglas
Assistant Examiner—Linda Brooks
(74) *Attorney, Agent, or Firm*—Crowell & Moring LLP

(75) Inventors: **Edgar Heinrich**, Freising (DE); **David
Irwin Robb**, Munich (DE)

(57) **CLAIM**

(73) Assignee: **Bayerische Motoren Werke
Aktiengesellschaft**, Munich (DE)

The ornamental design for a surface configuration of a motorcycle, toy, and/or other replicas, as shown and described.

(**) Term: **14 Years**

DESCRIPTION

(21) Appl. No.: **29/254,990**

This application is related to the following co-pending application, of the inventors, filed in even date herewith:

(22) Filed: **Mar. 3, 2006**

Application Ser. No. 29/254,988, entitled “Surface Configuration of a Motorcycle, Toy, and/or Other Replicas”.

(30) **Foreign Application Priority Data**

Sep. 6, 2005 (DE) 40504667

FIG. 1 is a left, front perspective view of a surface configuration of a motorcycle, toy, and/or other replicas according to our novel design;

(51) **LOC (8) Cl.** **12-11**

(52) **U.S. Cl.** **D12/110**

FIG. 2 is a left, rear perspective view thereof;

(58) **Field of Classification Search** D12/110;
180/219, 220, 225, 229; D21/432, 538; 446/440;
280/827, 828

FIG. 3 is a right, rear perspective view thereof;

See application file for complete search history.

FIG. 4 is a right, front perspective view thereof;

FIG. 5 is a left side view thereof;

(56) **References Cited**

U.S. PATENT DOCUMENTS

D519,883 S * 5/2006 Robb D12/110

FIG. 6 is a right side view thereof;

FIG. 7 is a front view thereof;

FIG. 8 is a rear view thereof; and,

FIG. 9 is a top view thereof.

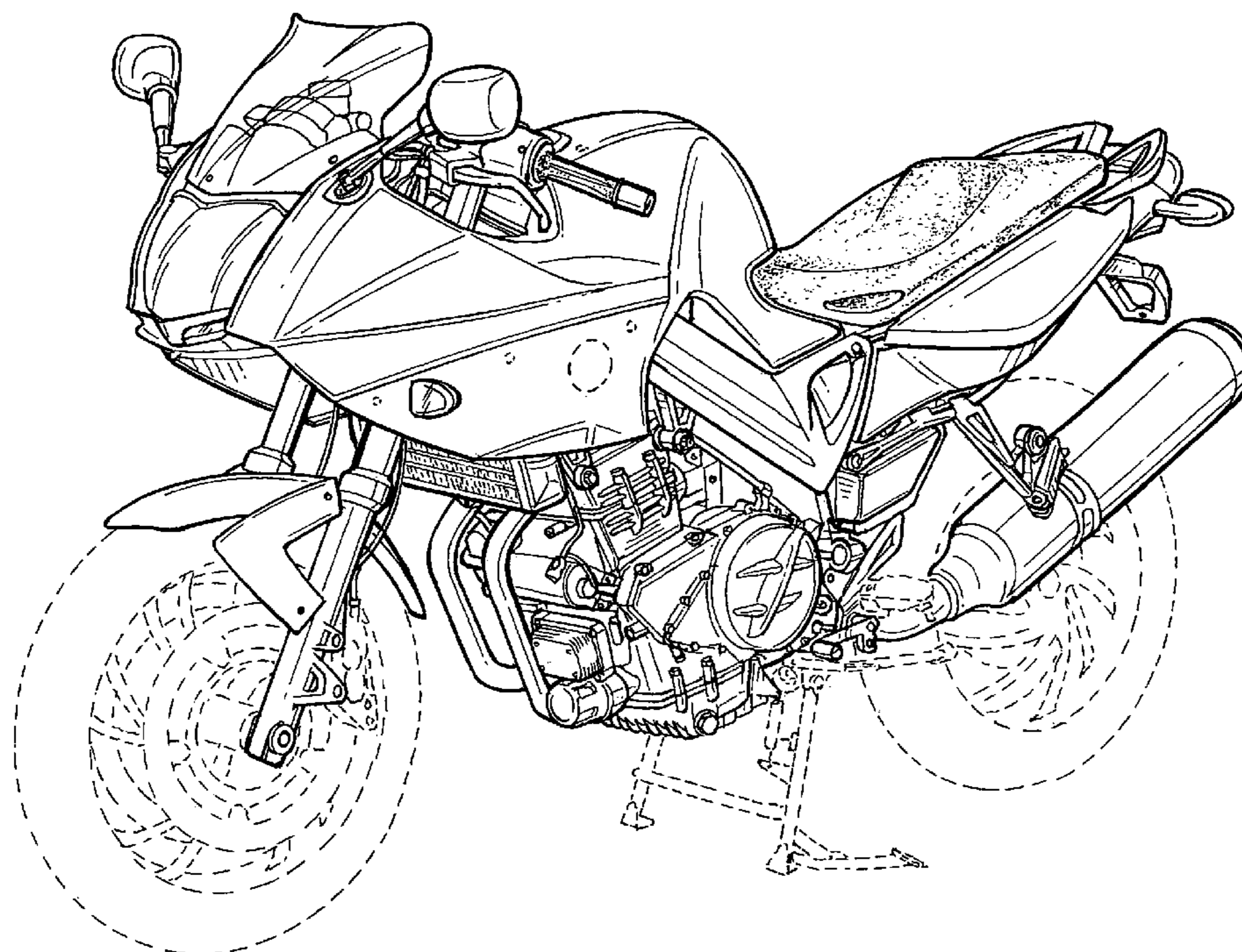
OTHER PUBLICATIONS

“Motor Show Calendar”, *Autobi*, Sep. 1, 2005.

The broken lines are for illustrative purposes only and form no part of the claimed design.

* cited by examiner

1 Claim, 8 Drawing Sheets



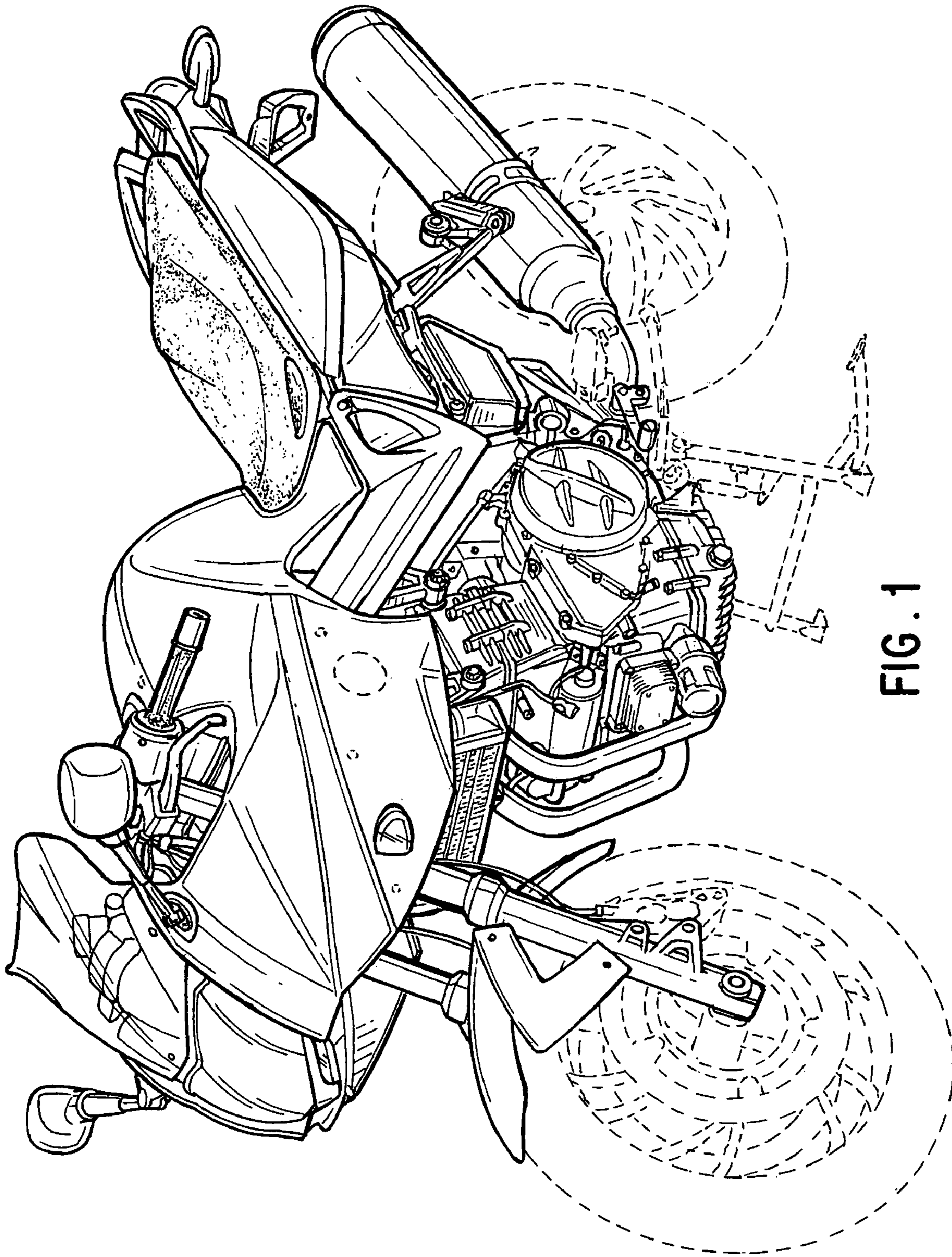


FIG. 1

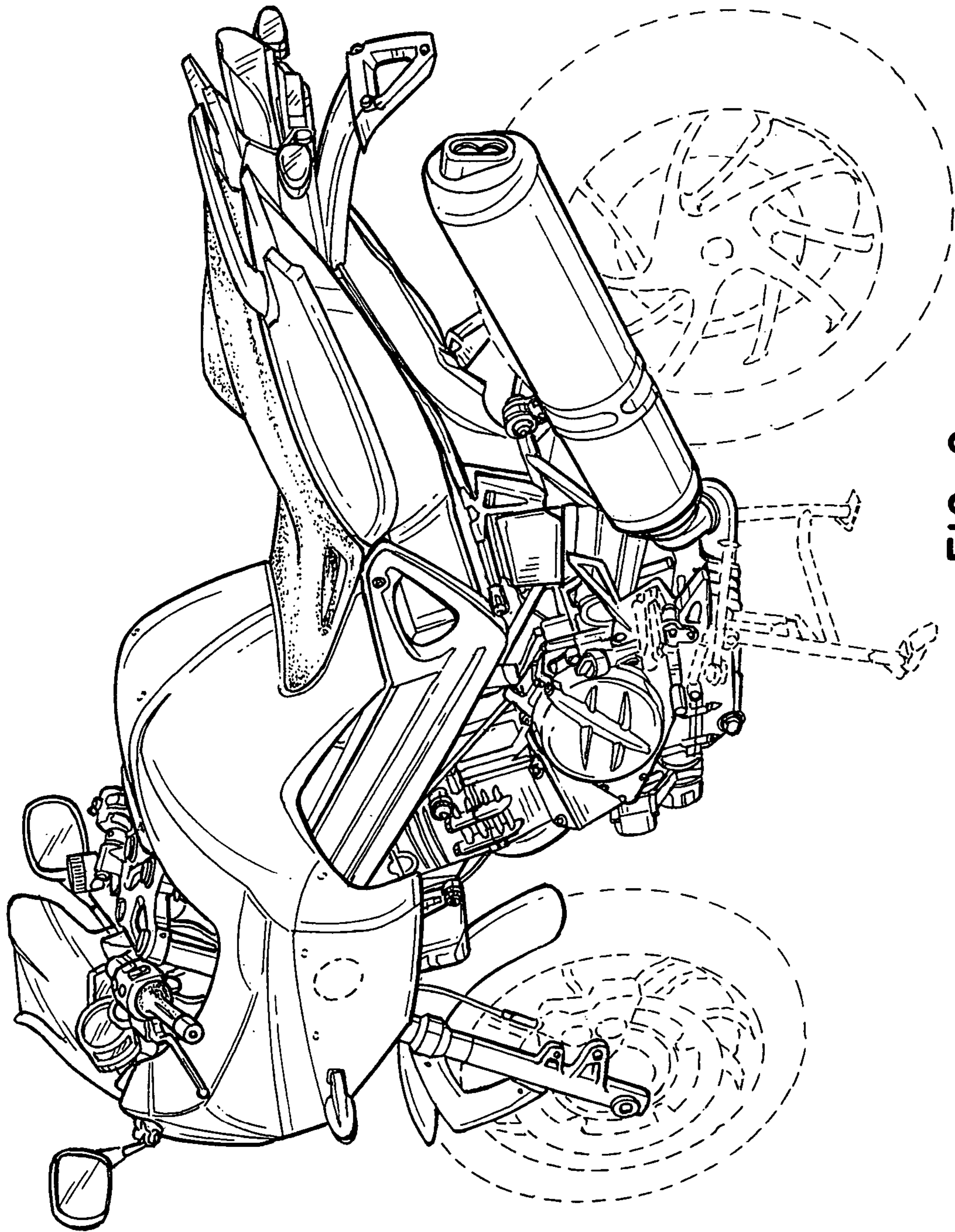


FIG. 2

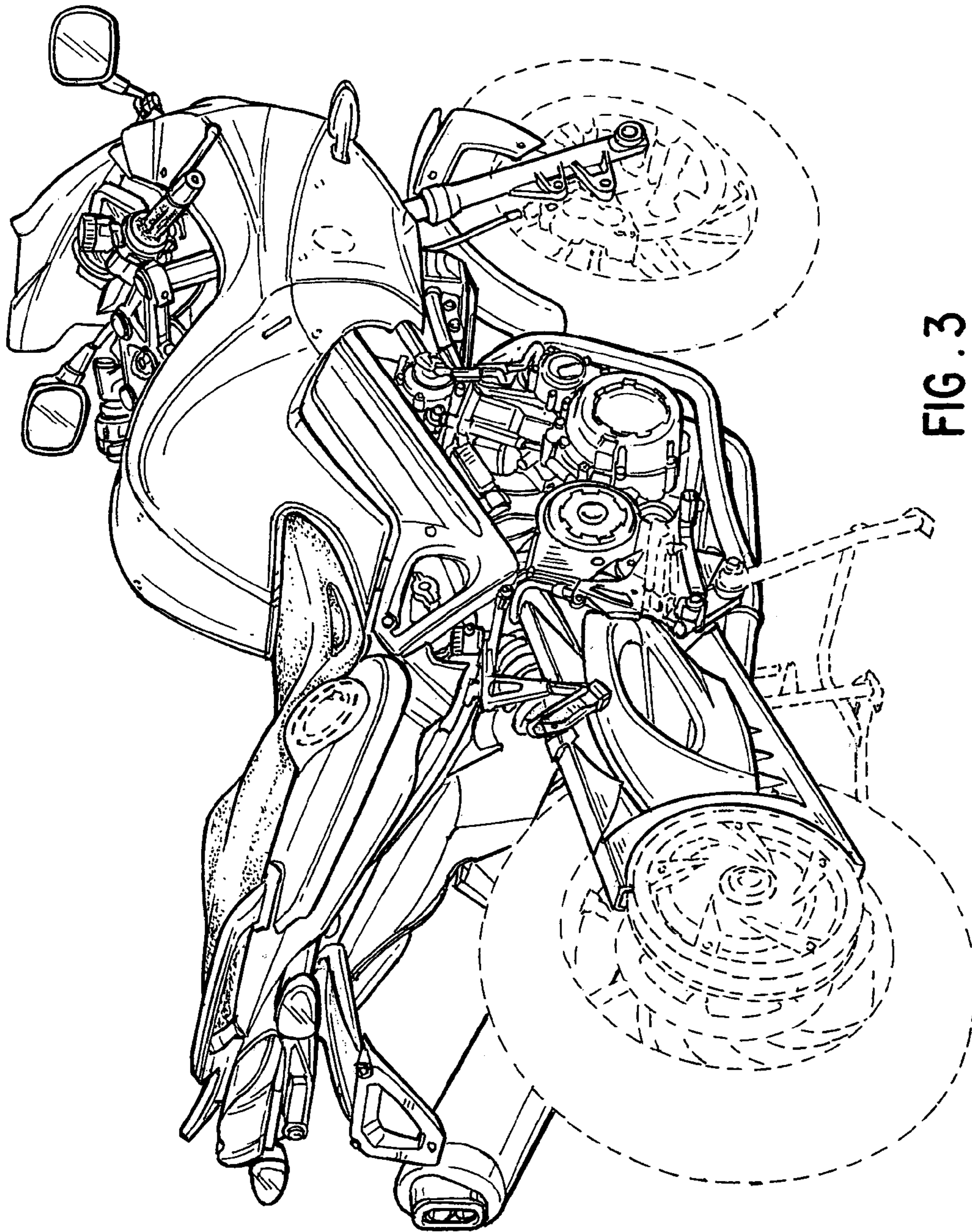


FIG. 3

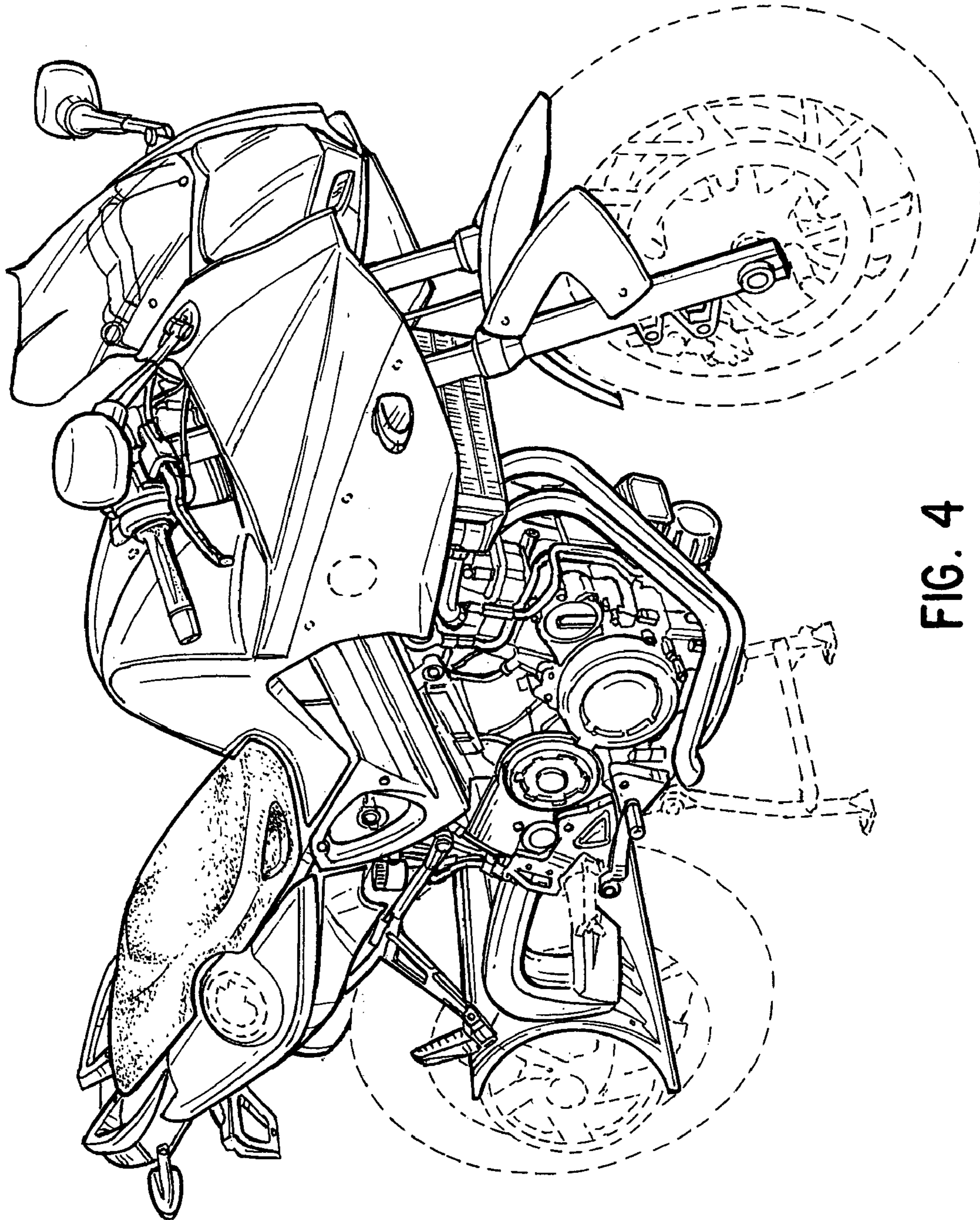


FIG. 4

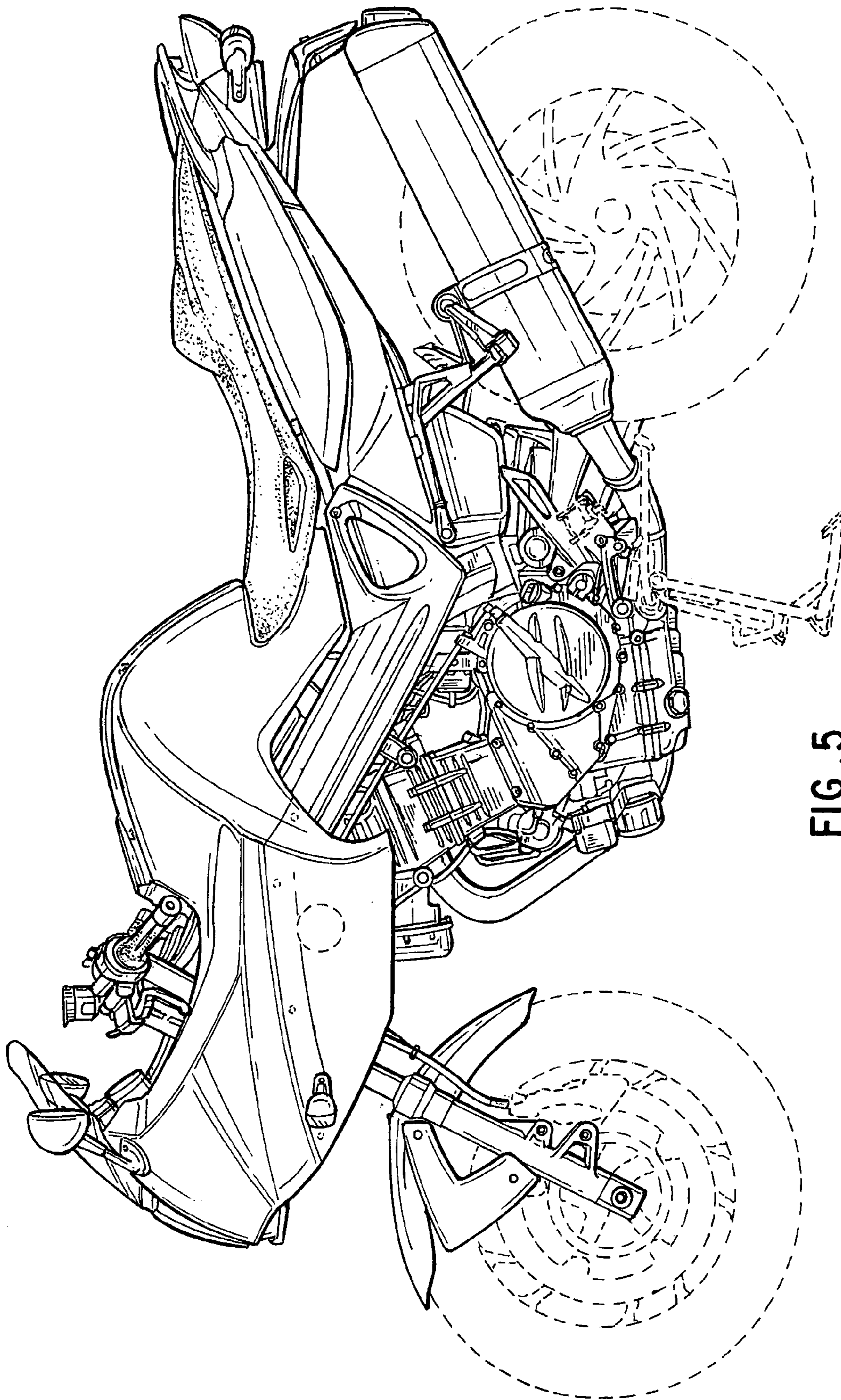


FIG. 5

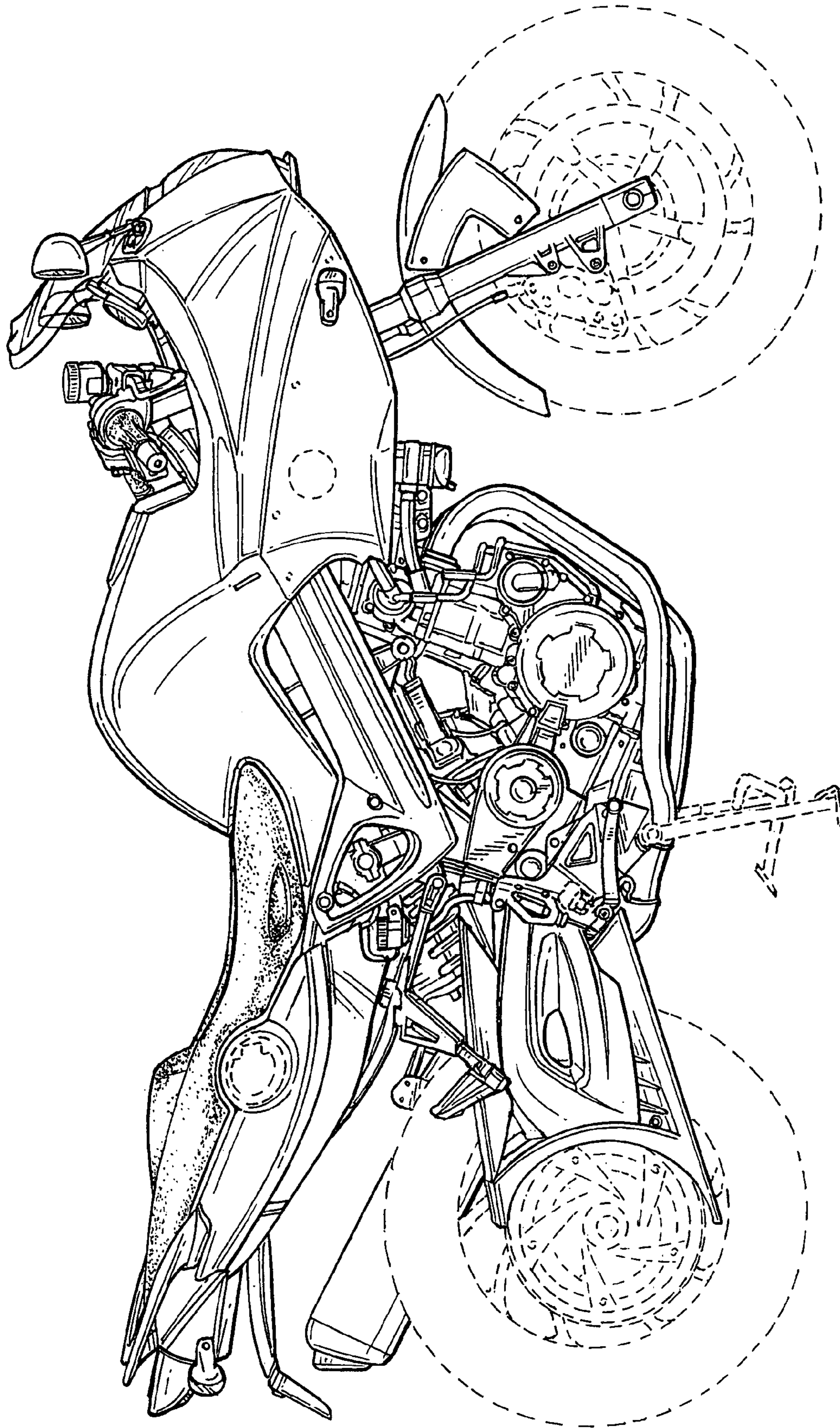


FIG. 6

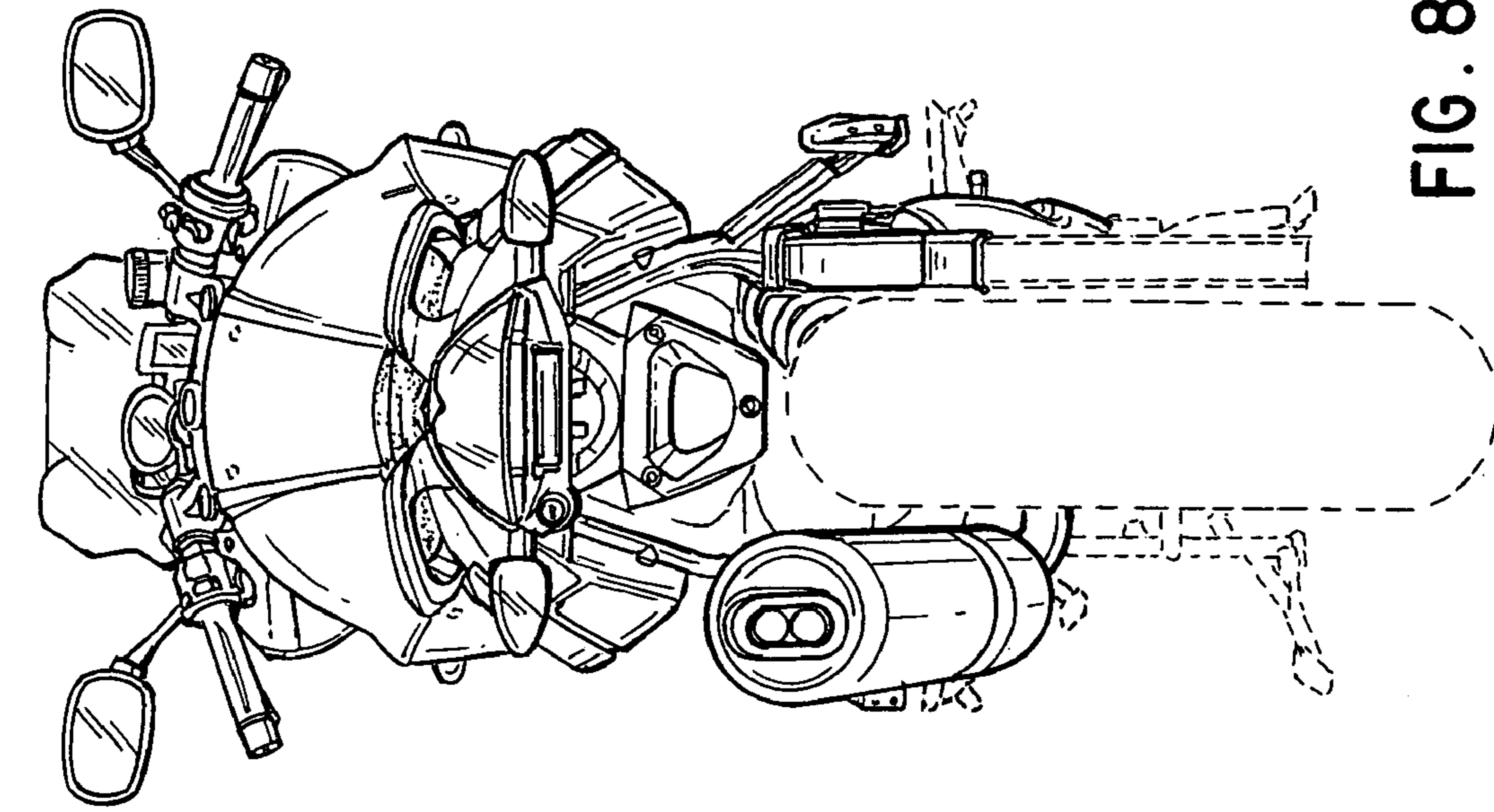


FIG. 7

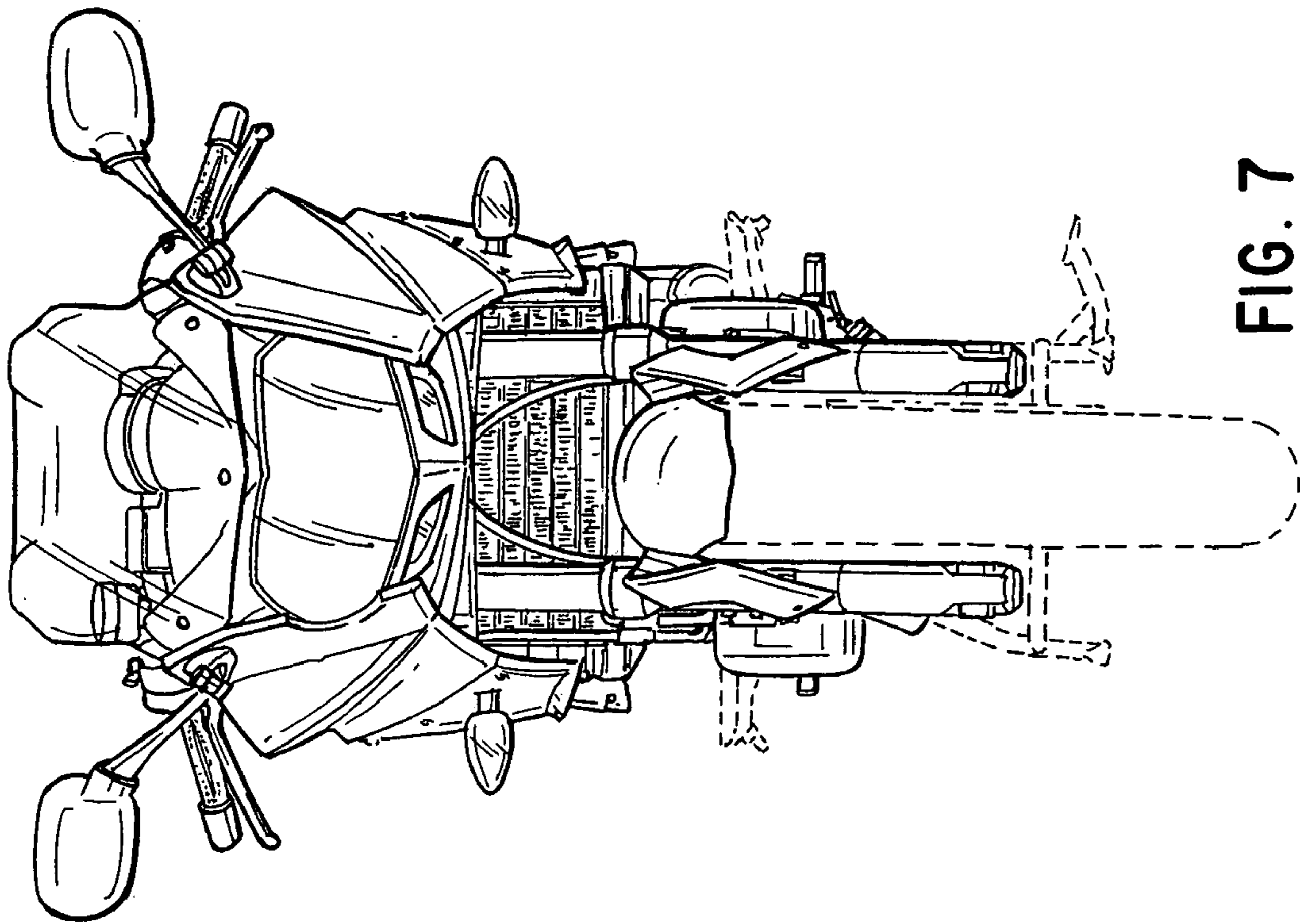


FIG. 8

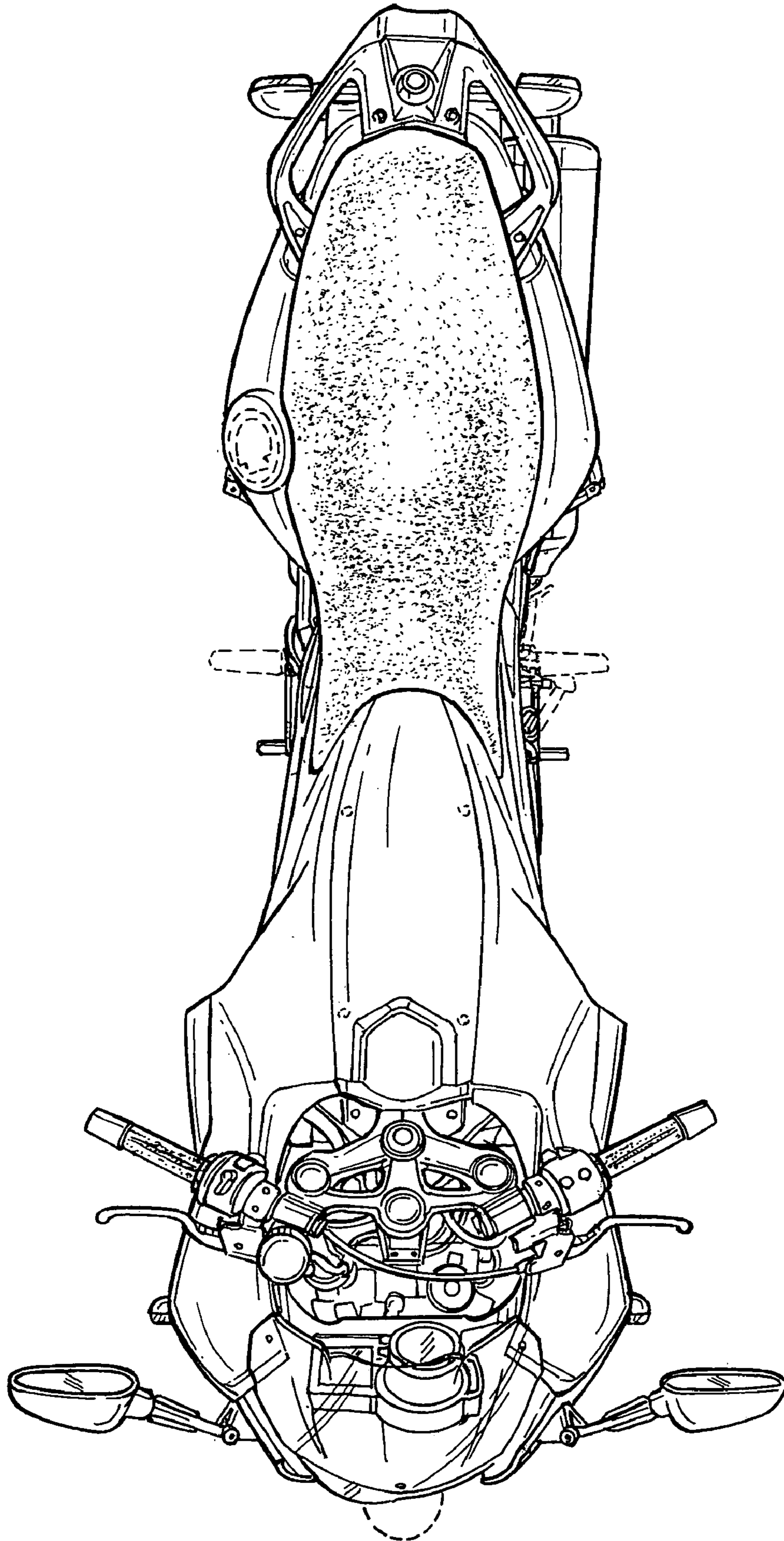


FIG. 9