

US00D549133S

(12) **United States Design Patent**
LePage

(10) **Patent No.:** **US D549,133 S**

(45) **Date of Patent:** **** Aug. 21, 2007**

(54) **CROSS-COUNTRY CAR**

(75) **Inventor:** **Francis LePage**, Dacun Township
(TW)

(73) **Assignee:** **Motive Power Industry Co., Ltd.**,
Dacun Township (TW)

(**) **Term:** **14 Years**

(21) **Appl. No.:** **29/250,643**

(22) **Filed:** **Nov. 27, 2006**

(51) **LOC (8) Cl.** **12-08**

(52) **U.S. Cl.** **D12/87**

(58) **Field of Classification Search** D12/87,
D12/86, 1; D21/433; 296/181.1
See application file for complete search history.

(56) **References Cited**

U.S. PATENT DOCUMENTS

D286,760 S *	11/1986	Ooba et al.	D12/87
D301,849 S *	6/1989	Oba et al.	D12/87
D312,989 S *	12/1990	Murata et al.	D12/87
D332,239 S *	1/1993	Hirata et al.	D12/1
D342,699 S *	12/1993	Miyamoto et al.	D12/1

D433,651 S *	11/2000	Matsumura et al.	D12/1
D467,200 S *	12/2002	Luo et al.	D12/87
D500,707 S *	1/2005	Lu	D12/87
D503,658 S *	4/2005	Lu	D12/87
D535,215 S *	1/2007	Turner et al.	D12/87

* cited by examiner

Primary Examiner—Melody N. Brown

(74) *Attorney, Agent, or Firm*—Schmeiser, Olsen & Watts

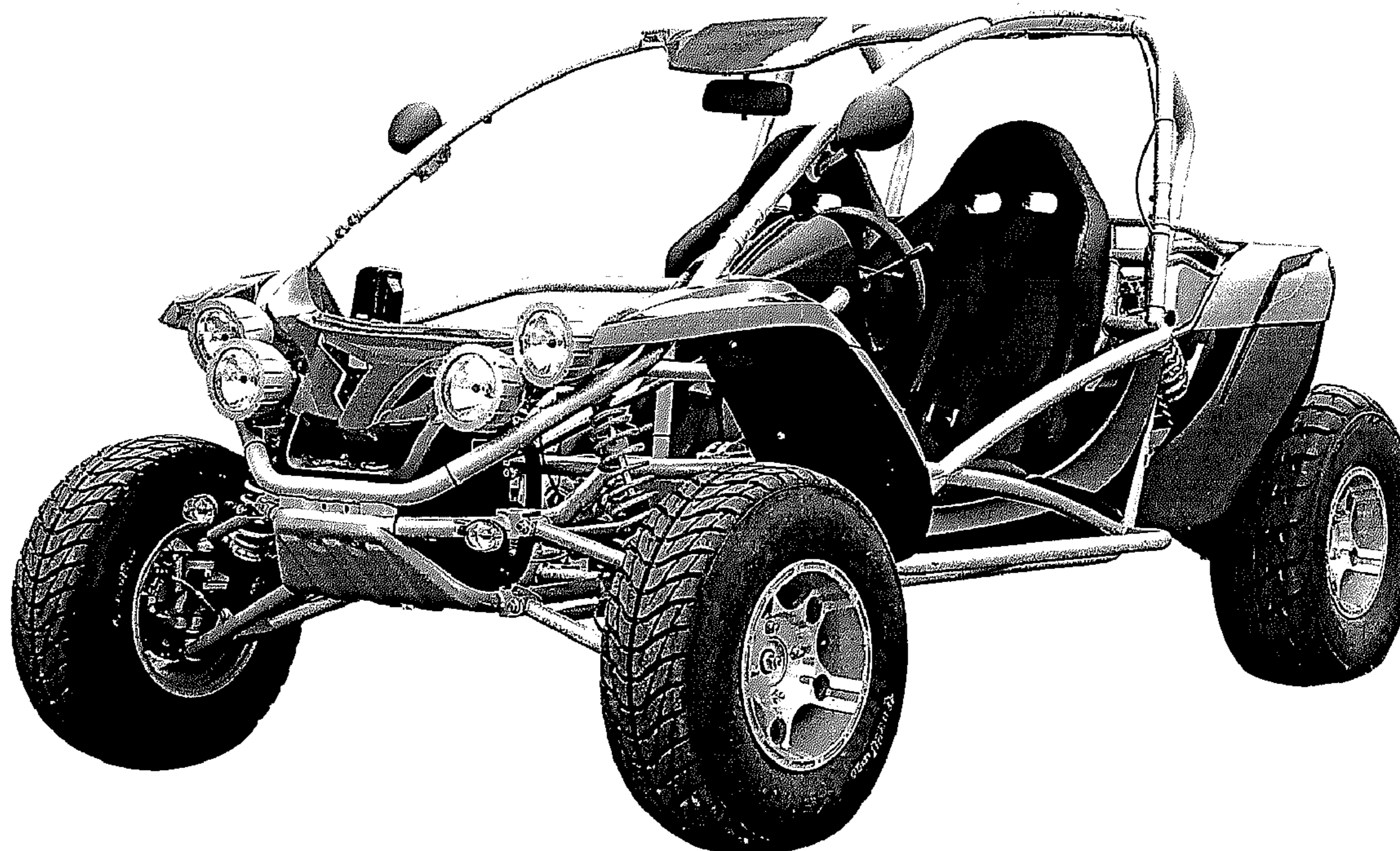
(57) **CLAIM**

The ornamental design for a cross-country car, as shown and described.

DESCRIPTION

FIG. 1 is a perspective view of a cross-country car;
FIG. 2 is a front view thereof;
FIG. 3 is a rear view thereof;
FIG. 4 is a left side view thereof;
FIG. 5 is a right side view thereof;
FIG. 6 is a top plan view thereof; and,
FIG. 7 is a bottom view thereof.

1 Claim, 5 Drawing Sheets



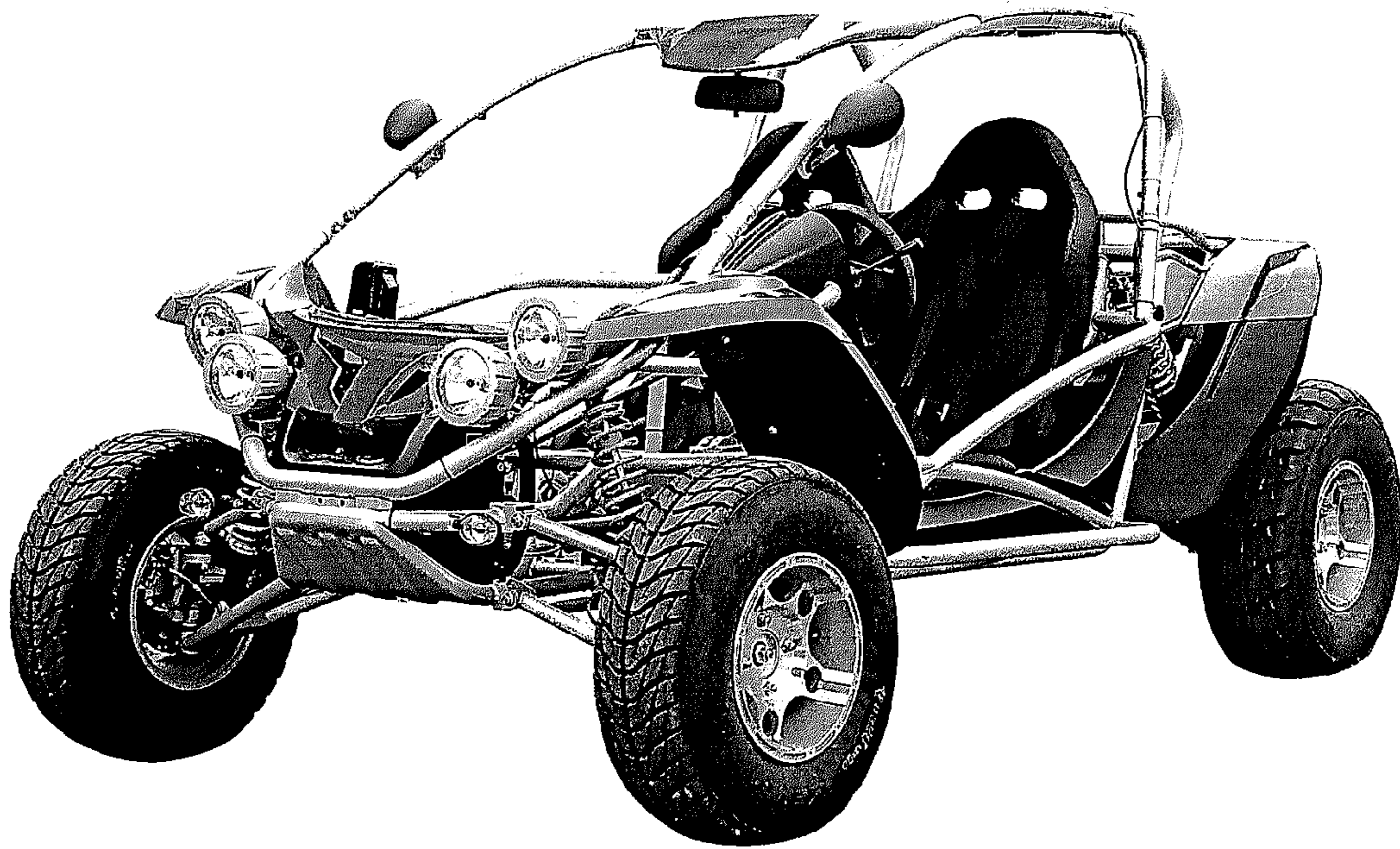


Fig. 1



Fig. 2

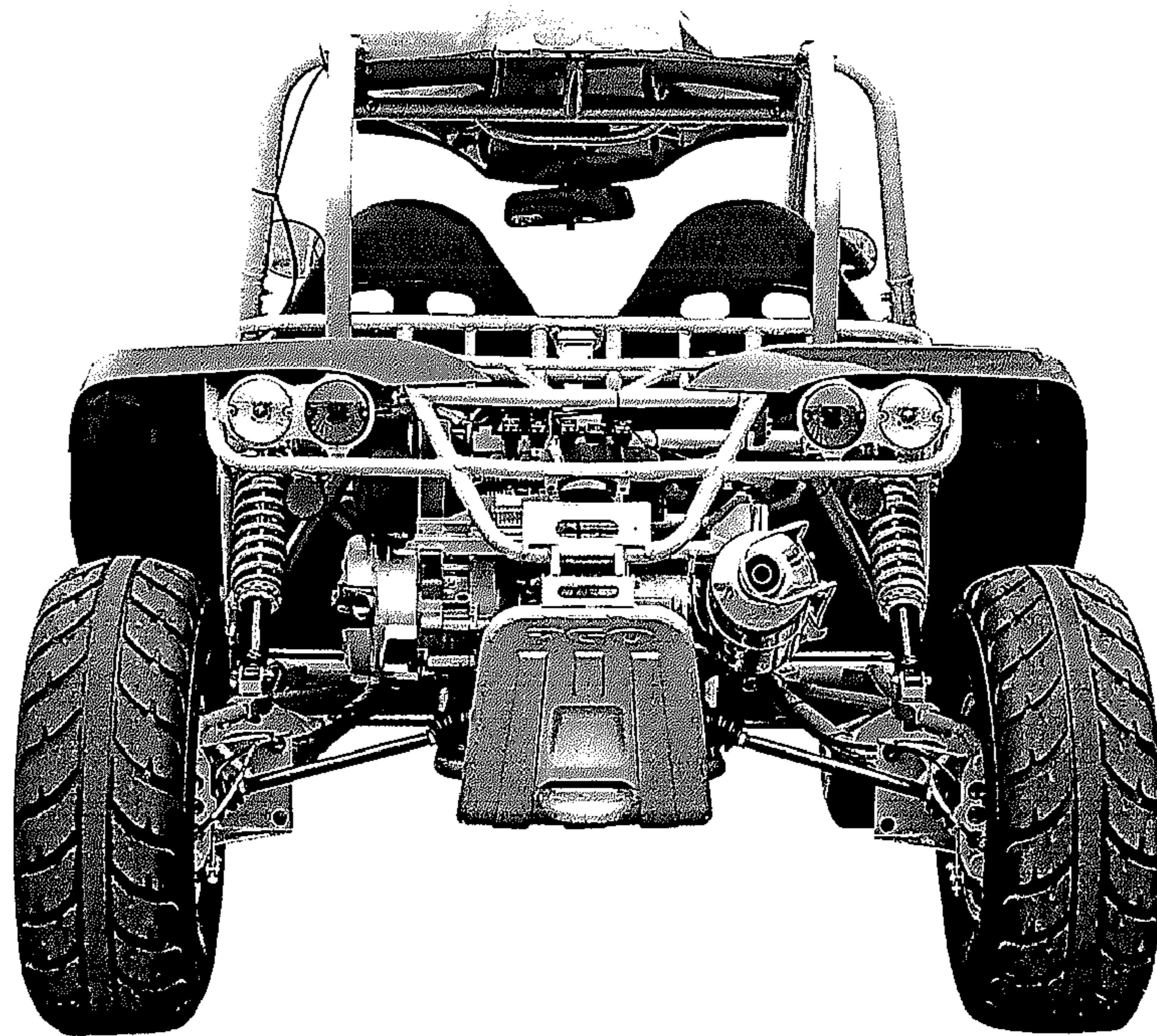


Fig. 3

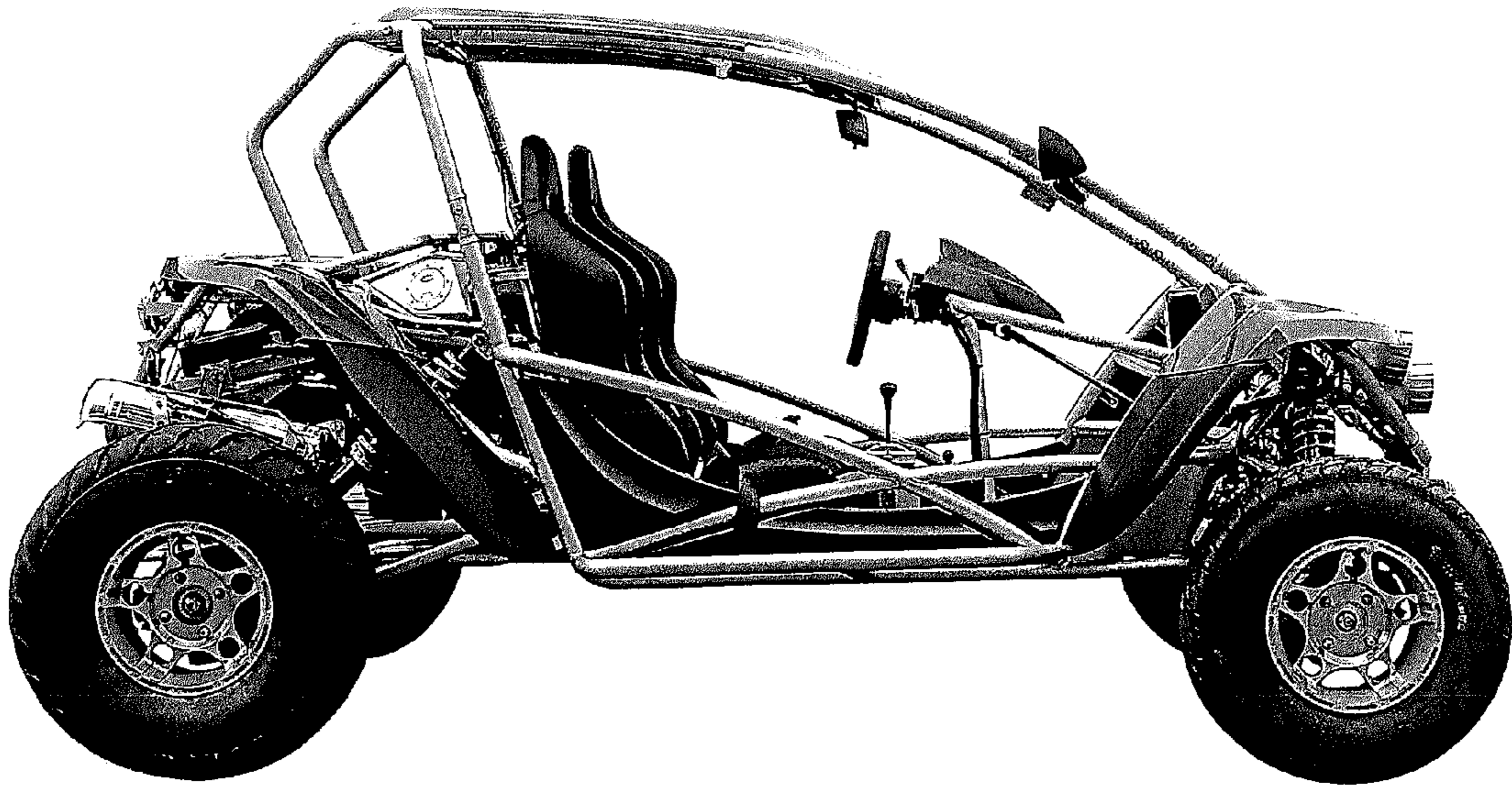


Fig. 4

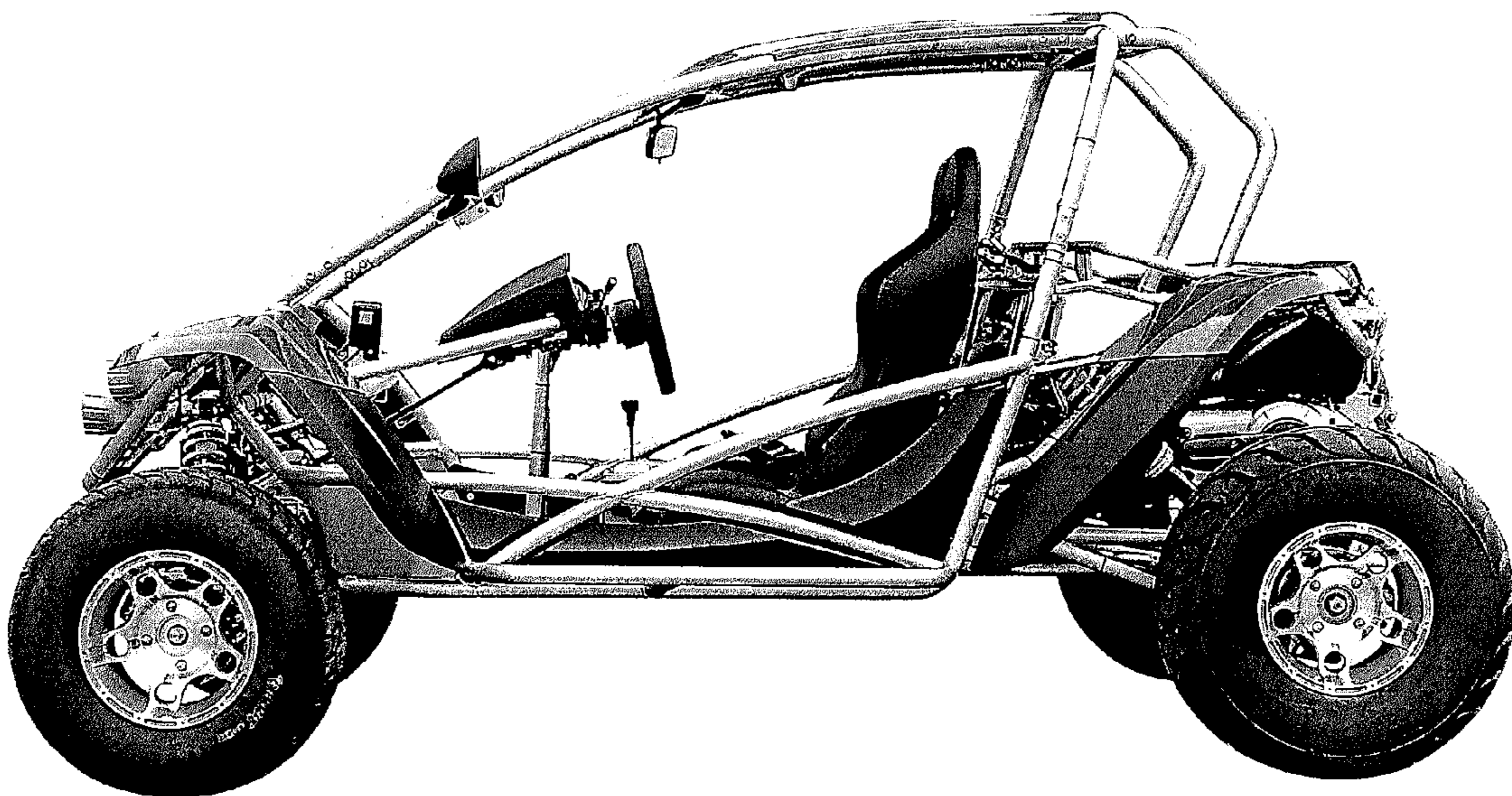


Fig. 5

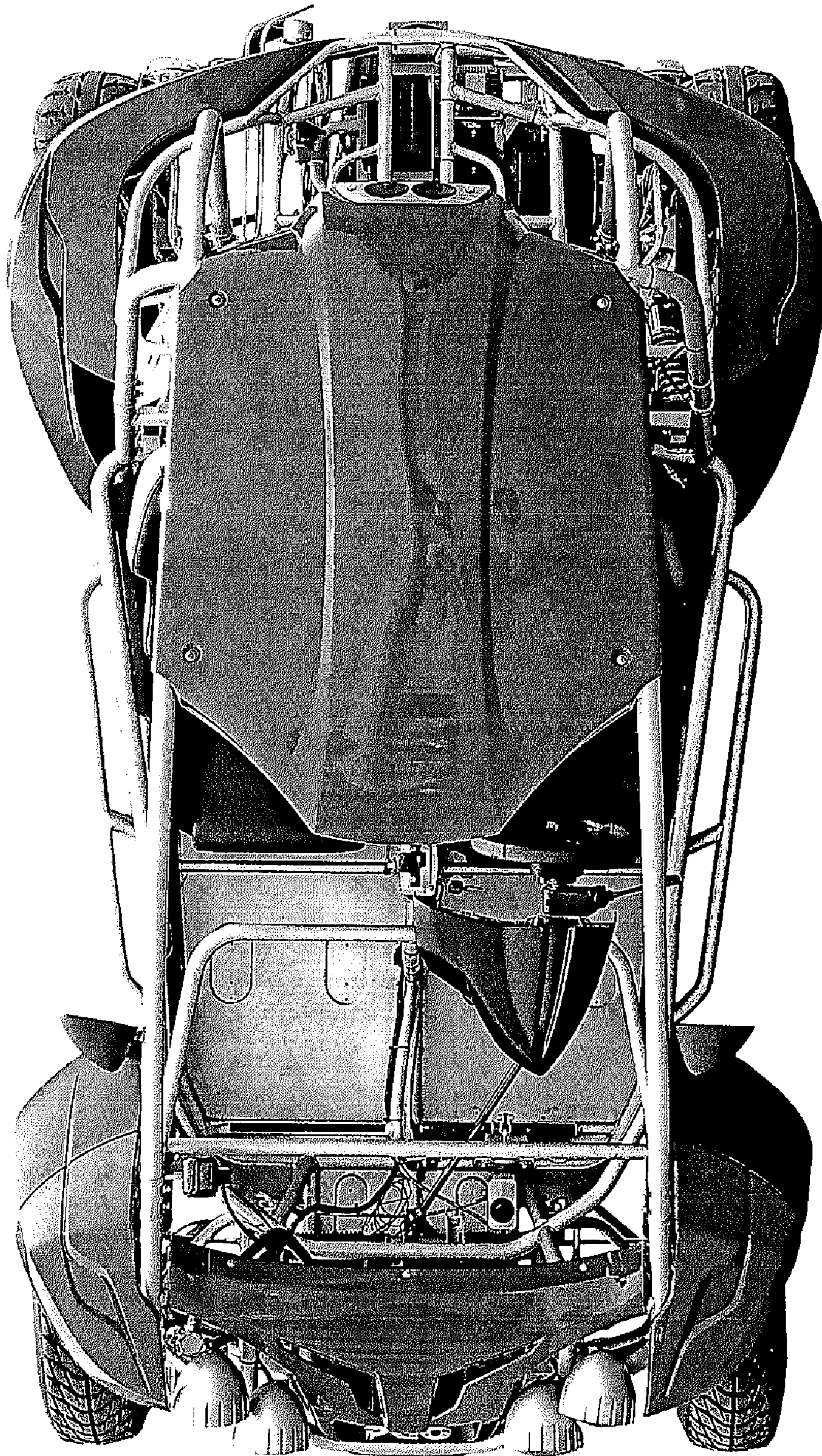


Fig. 6

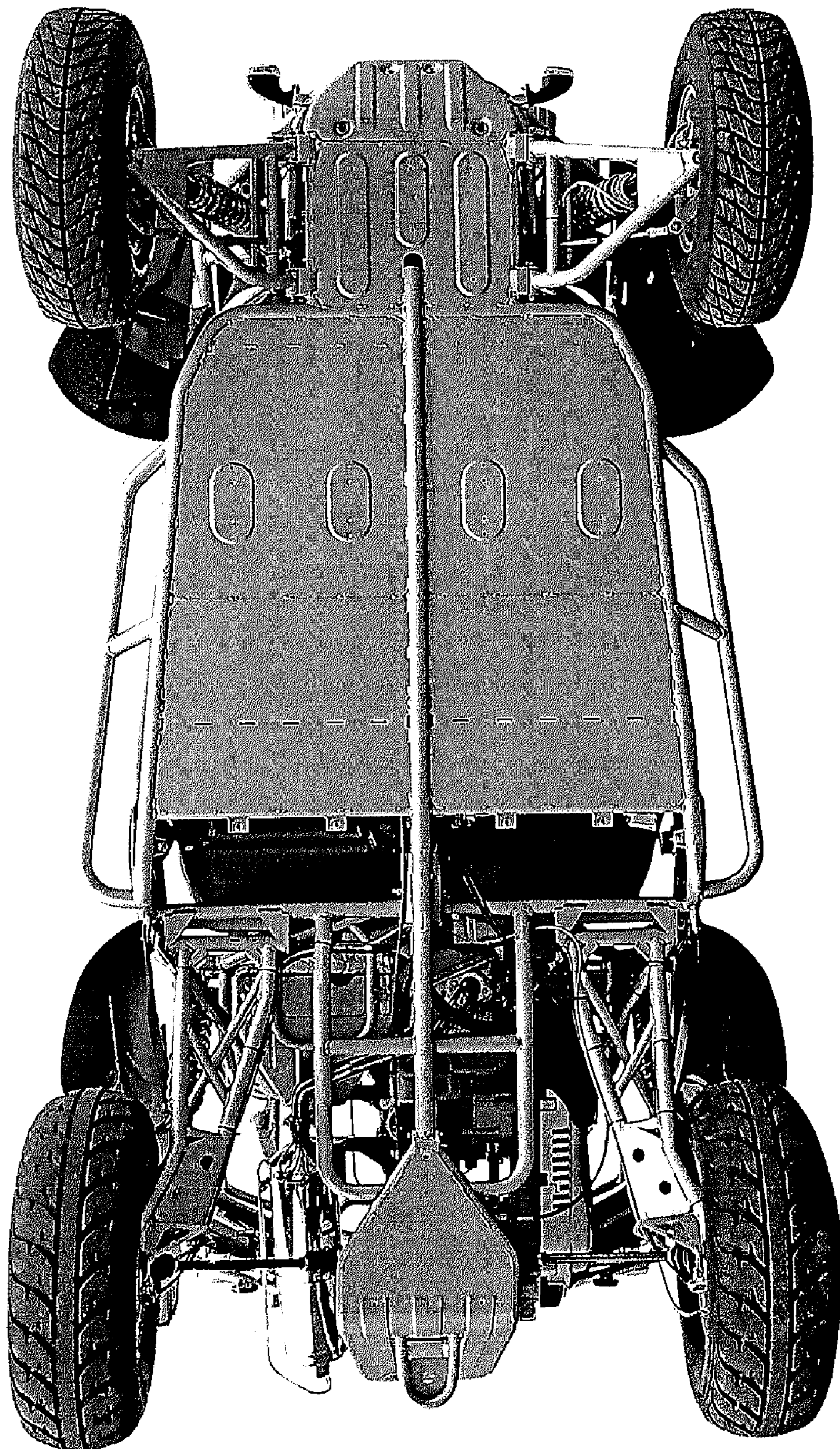


Fig. 7