



US00D549132S

(12) **United States Design Patent**
Musselman

(10) **Patent No.:** **US D549,132 S**

(45) **Date of Patent:** **** Aug. 21, 2007**

(54) **DUAL STEERING RUNNER FOR A SNOWMOBILE SKI**

(76) Inventor: **Robert S. Musselman**, 6054 N. M-30, Hope, MI (US) 48628

(**) Term: **14 Years**

(21) Appl. No.: **29/223,577**

(22) Filed: **Feb. 17, 2005**

(51) **LOC (8) Cl.** **12-14**

(52) **U.S. Cl.** **D12/7; D12/6; D12/9**

(58) **Field of Classification Search** 305/180, 305/54, 34 EB, 163, 178; D12/7, 154, 10; D8/349, 338, 354, 382, 399, 386; 180/190, 180/68.1, 18; 280/28, 609, 601, 608; 285/19, 285/124.2, 138, 189, 139.1

See application file for complete search history.

(56) **References Cited**

U.S. PATENT DOCUMENTS

3,871,675	A *	3/1975	Lund	280/28
5,443,278	A *	8/1995	Berto	280/28
5,836,594	A *	11/1998	Simmons	280/28
D466,831	S *	12/2002	Bruns et al.	D12/7
D469,036	S *	1/2003	Bruns et al.	D12/7
D480,332	S *	10/2003	Cormican	D12/7
D484,072	S *	12/2003	Bruns	D12/7
7,090,229	B2 *	8/2006	Monsrud et al.	280/28
2005/0280224	A1 *	12/2005	Monsrud et al.	280/28
2006/0145534	A1 *	7/2006	Musselman	305/191
2006/0163826	A1 *	7/2006	Huntimer et al.	280/11.18

* cited by examiner

Primary Examiner—Louis S. Zarfes
Assistant Examiner—Anna K. Dworzecka
(74) *Attorney, Agent, or Firm*—John J. Swartz

(57) **CLAIM**

The ornamental design for a dual steering runner for a snowmobile ski, as shown and described.

DESCRIPTION

FIG. 1 is a side elevational view of a dual steering runner for a snowmobile ski from the left side of FIG. 5, showing my new design, it being understood that the opposite side is a mirror image thereof;

FIG. 2 is a top plan view thereof;

FIG. 3 is a bottom plan view thereof;

FIG. 4 is a rear end view taken from the end side of FIG. 1;

FIG. 5 is a front end view taken from the right end of FIG. 1;

FIG. 6 is a perspective view thereof;

FIG. 7 is a side elevational view similar to FIG. 1 of a slightly modified embodiment;

FIG. 8 is a bottom view of FIG. 7 illustrating the modified design; and,

FIG. 9 is an opposite side elevational view illustrating the side of the modified design opposite the side illustrated in FIG. 7.

1 Claim, 2 Drawing Sheets

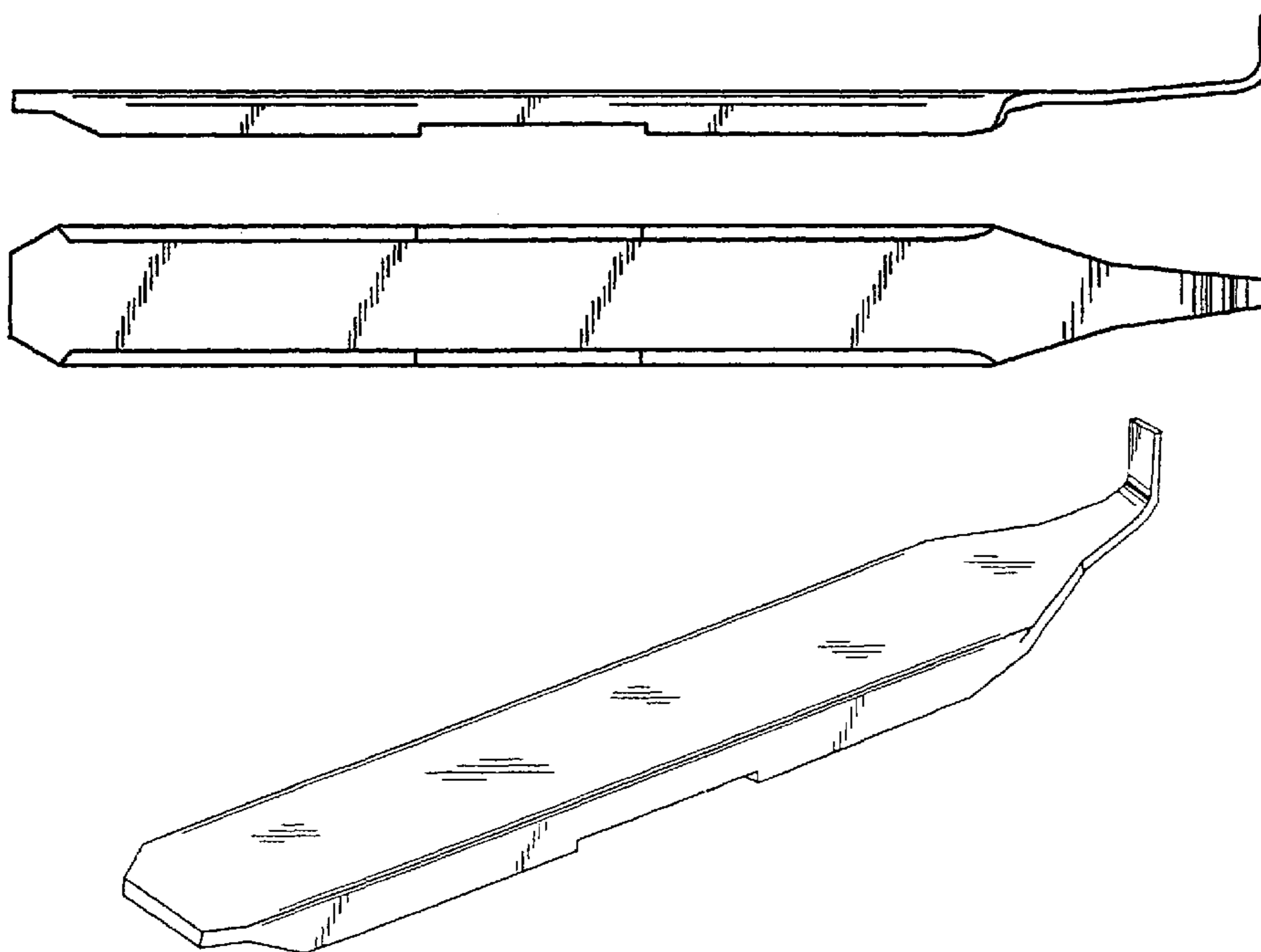




Fig. 2



Fig. 1

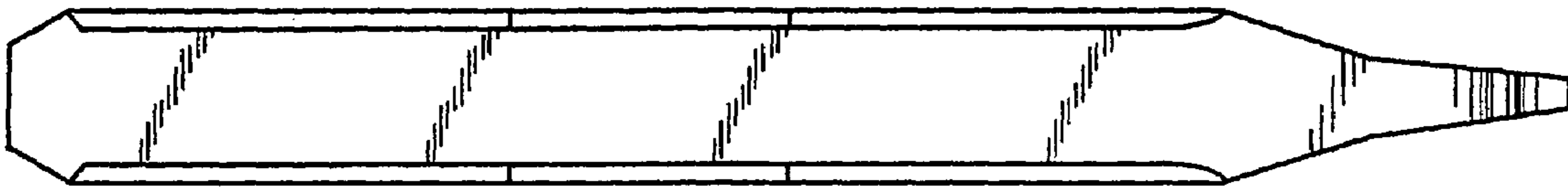


Fig. 3

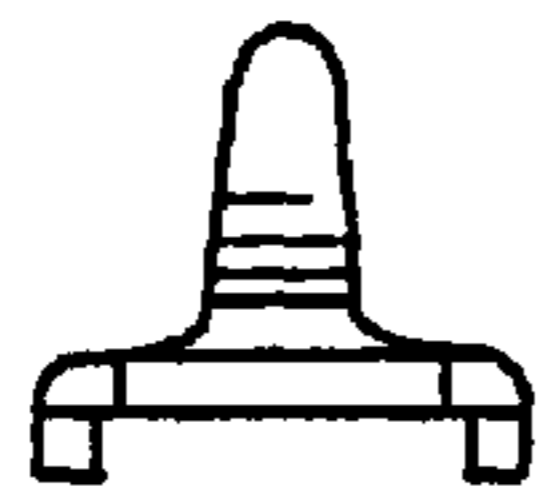


Fig. 4

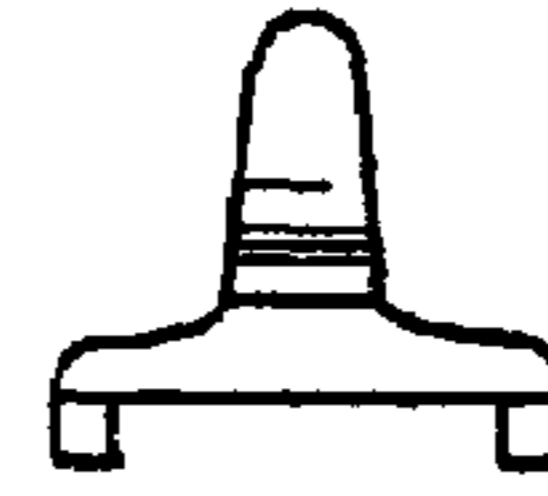


Fig. 5

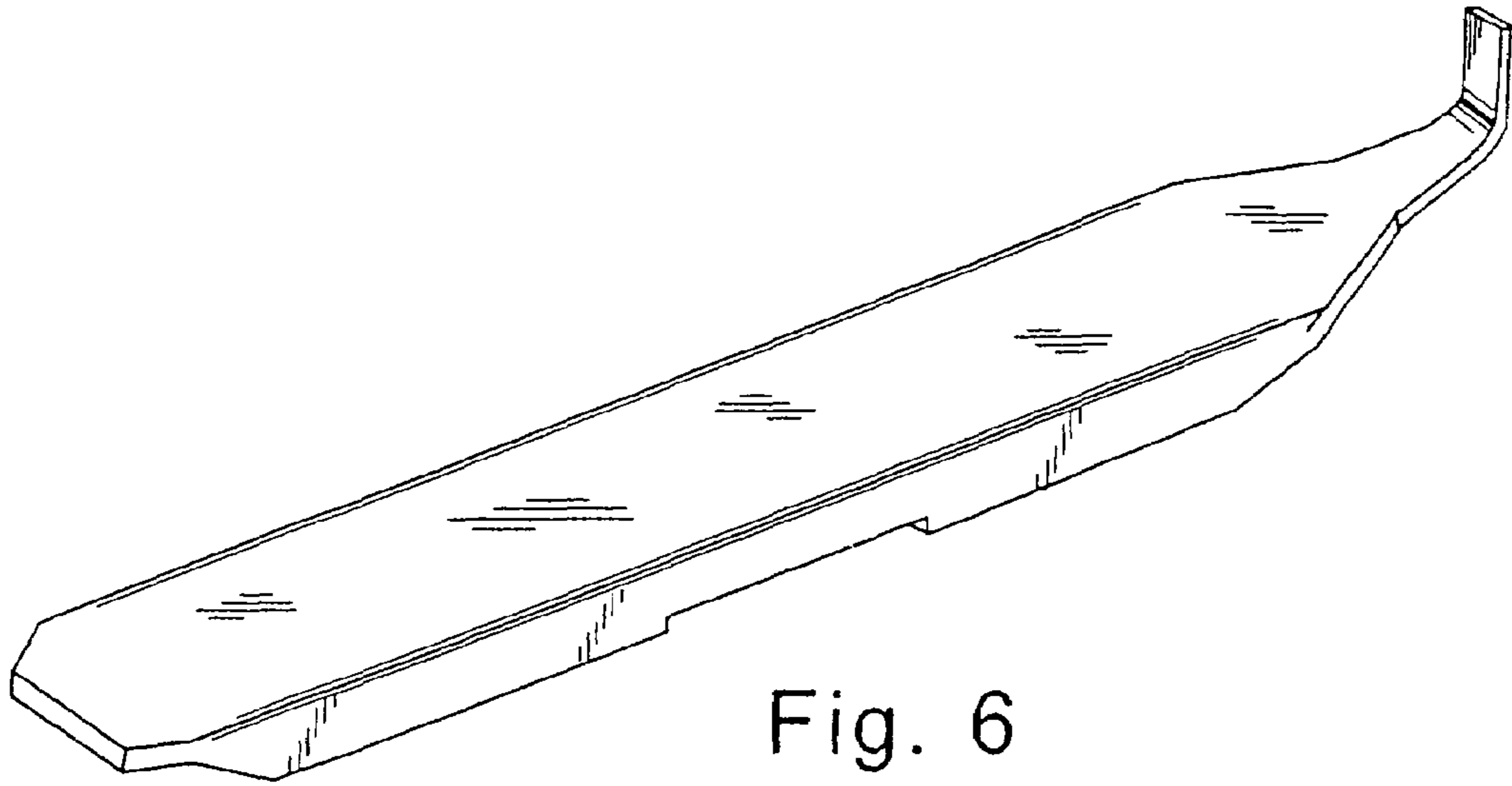


Fig. 6



Fig. 7

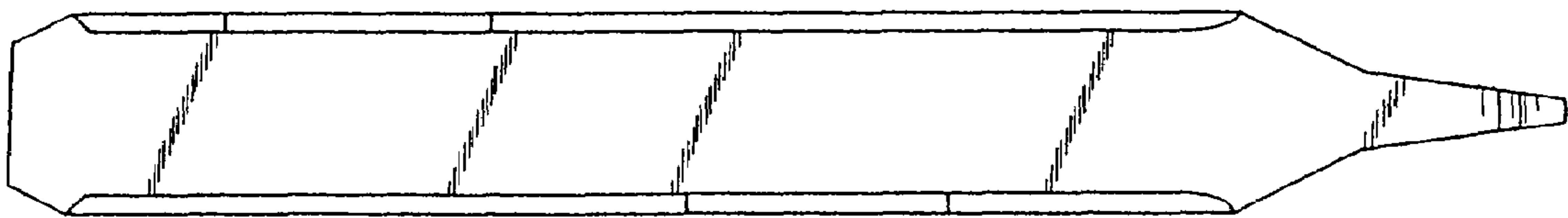


Fig. 8

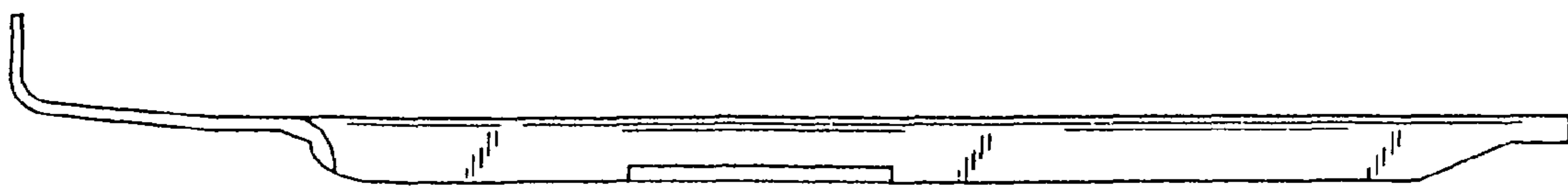


Fig. 9