

US00D549123S

(12) **United States Design Patent**
Waldman

(10) **Patent No.:** **US D549,123 S**

(45) **Date of Patent:** **** Aug. 21, 2007**

(54) **WATCH FACE**

(75) Inventor: **Matthew Waldman**, New York, NY
(US)

(73) Assignee: **Nooka Inc.**, New York, NY (US)

(**) Term: **14 Years**

(21) Appl. No.: **29/249,518**

(22) Filed: **Oct. 10, 2006**

(51) **LOC (8) Cl.** **10-07**

(52) **U.S. Cl.** **D10/126; D10/35**

(58) **Field of Classification Search** D10/30-39,
D10/8, 122-132; 368/276-277, 281-283,
368/285, 223, 228, 232, 80, 29-30, 82-84,
368/239-242, 229

See application file for complete search history.

(56) **References Cited**

U.S. PATENT DOCUMENTS

- D63,896 S * 2/1924 Harshberger D21/627
- 1,598,497 A * 8/1926 Oswald 40/416
- D89,217 S * 2/1933 Sill D10/8
- D241,023 S * 8/1976 Haas D10/132
- D270,336 S * 8/1983 Pizzitola, Jr., Frank J. .. D10/40
- D272,930 S * 3/1984 Anderson D21/531

- D286,381 S * 10/1986 Zeisel D10/8
- D302,399 S * 7/1989 Robert D10/126
- D314,515 S * 2/1991 Kaneko D10/8
- D332,119 S * 12/1992 Fujieda et al. D21/531
- 5,458,342 A * 10/1995 Hernandez 273/447
- D385,504 S * 10/1997 McCabe D10/126
- 5,872,746 A * 2/1999 Reiner et al. 368/223

* cited by examiner

Primary Examiner—Lucy Lieberman

(74) *Attorney, Agent, or Firm*—George R. McGuire; David L. Nocilly; Bond, Schoeneck & King, PLLC

(57) **CLAIM**

The ornamental design for a watch face, as shown and described.

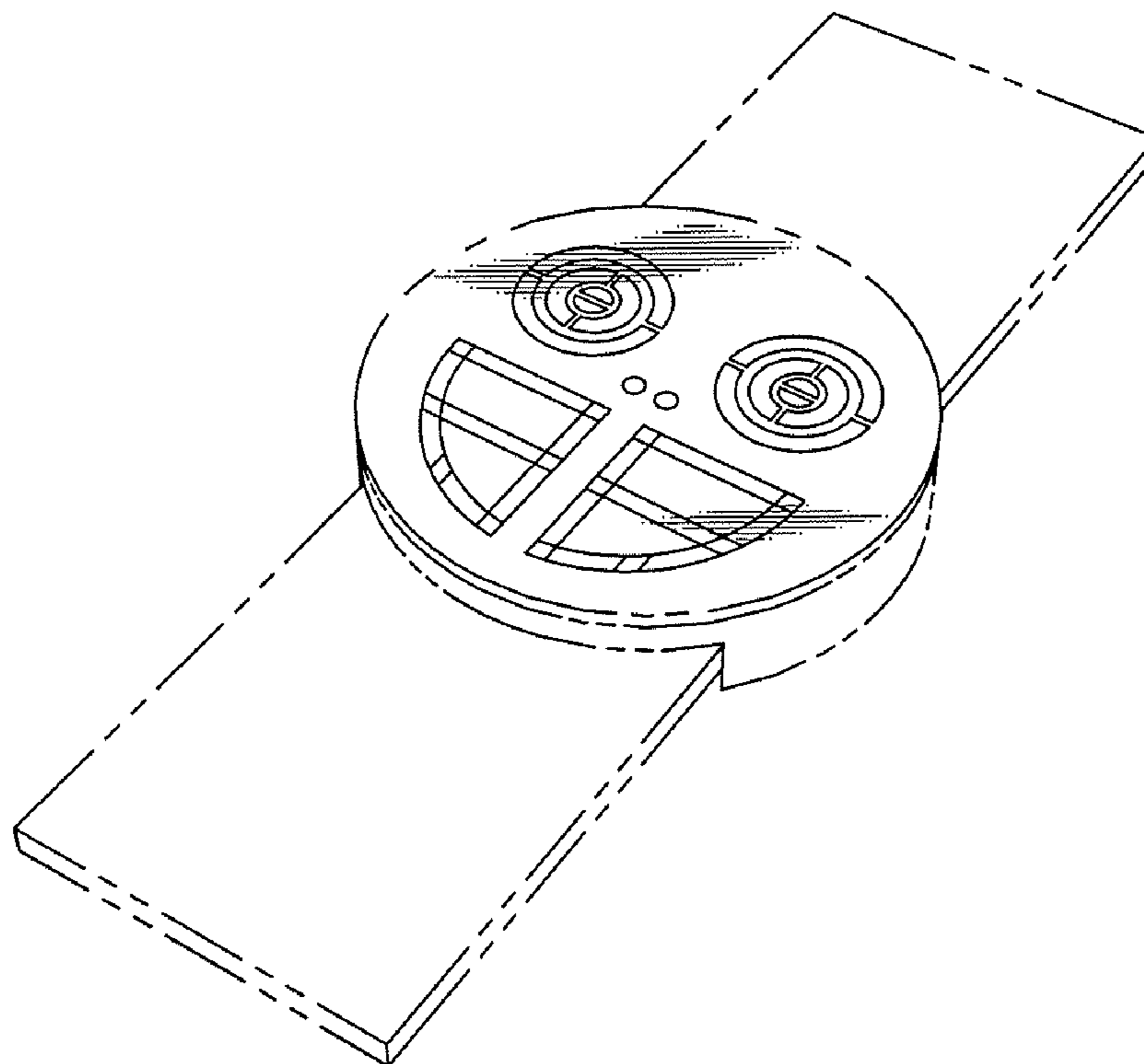
DESCRIPTION

FIG. 1 is a perspective view of my new and original design for a watch face with portions, including the watch band and the watch body, shown in phantom for environmental purposes only and forming no part of the claimed invention; and,

FIG. 2 is a top plan view thereof.

The broken lines shown in FIGS. 1 and 2 are for illustrative purposes only and form no part of the claimed design.

1 Claim, 1 Drawing Sheet



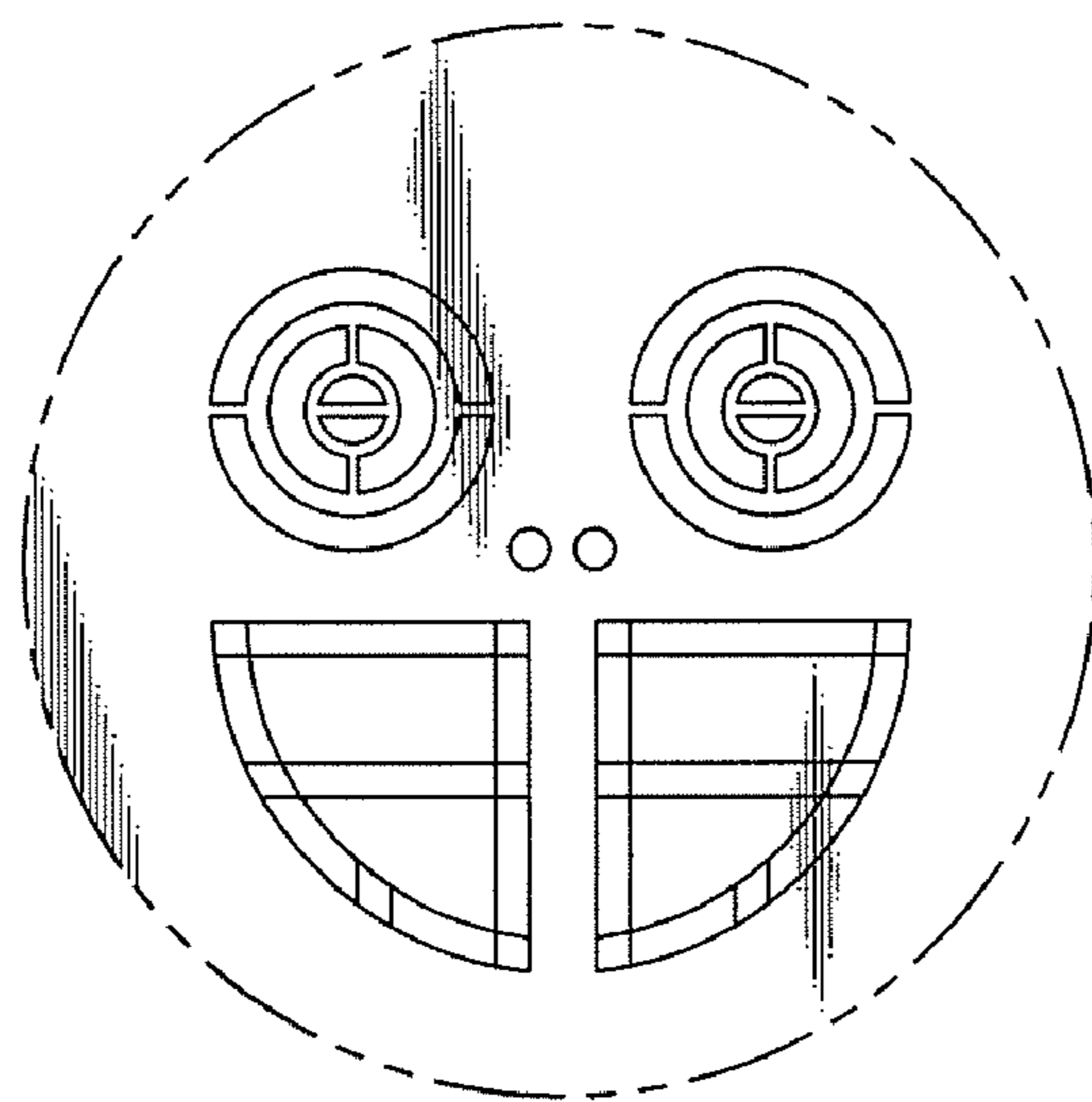
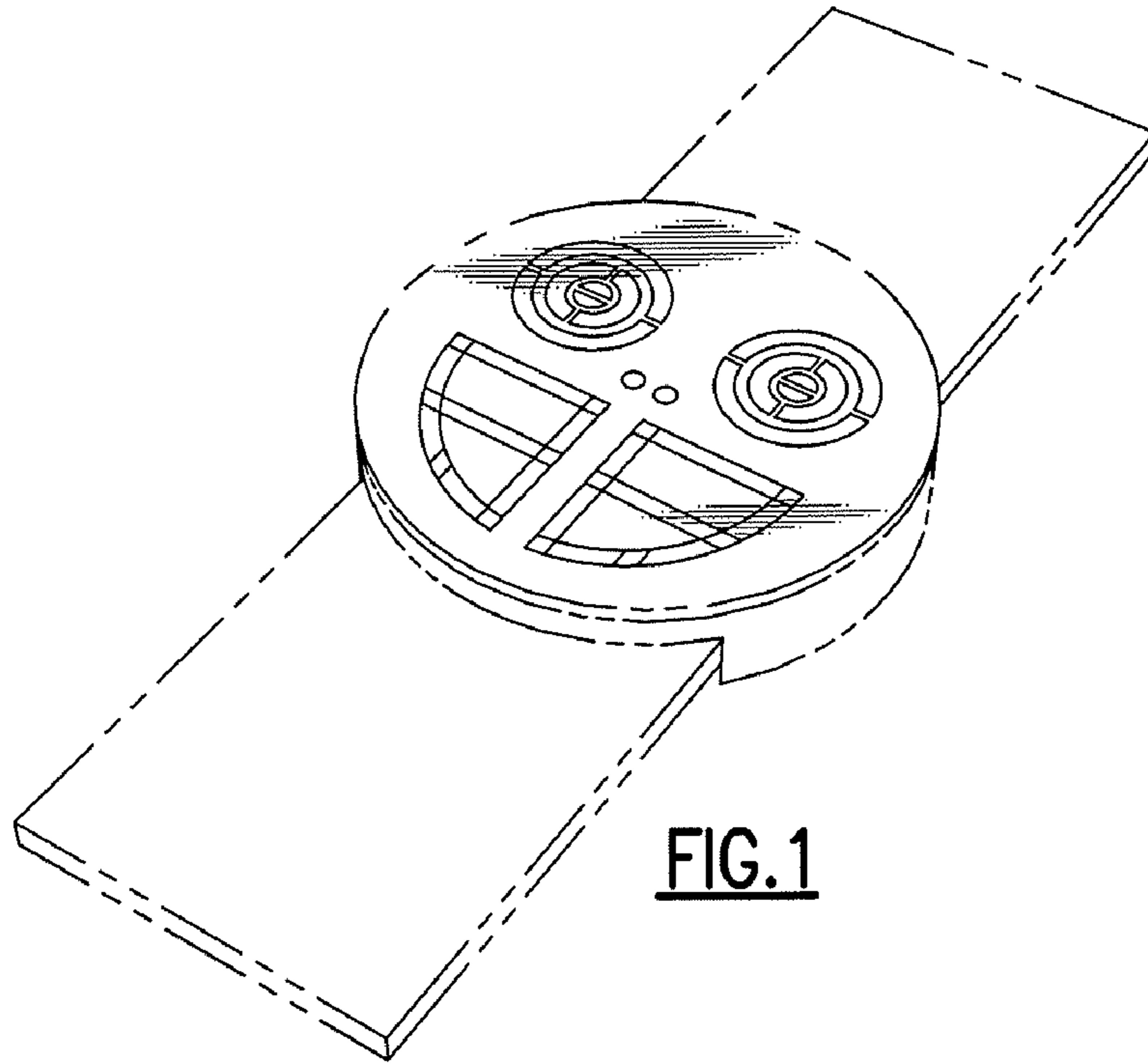


FIG. 2