

US00D549122S

(12) **United States Design Patent**
Teiber et al.

(10) **Patent No.:** **US D549,122 S**

(45) **Date of Patent:** **** Aug. 21, 2007**

(54) **PUSH BUTTON**

(75) Inventors: **Todd Teiber**, Plano, TX (US); **Roger Priest**, Aubrey, TX (US); **Walter Brookins**, Dallas, TX (US)

(73) Assignee: **Craftmade International, Inc.**, Coppel, TX (US)

(**) Term: **14 Years**

(21) Appl. No.: **29/271,556**

(22) Filed: **Jan. 22, 2007**

(51) **LOC (8) Cl.** **10-05**

(52) **U.S. Cl.** **D10/118**

(58) **Field of Classification Search** D17/22;
D8/305, 343, 350, 302; 361/118; 200/310,
200/314, 329, 341, 510, 520, 534; D25/103,
D25/147; 340/539.14, 692, 384.1, 393.3,
340/397.1; D9/611; 455/41.2; D10/104-121;
D13/171

See application file for complete search history.

(56) **References Cited**

U.S. PATENT DOCUMENTS

D300,528 S * 4/1989 Drane D13/171
D376,306 S * 12/1996 Kirschner D8/305
D404,673 S * 1/1999 Gordon et al. D10/118

D526,001 S * 8/2006 Scharte D17/22
2006/0219541 A1 * 10/2006 Birdwell et al. 200/310

OTHER PUBLICATIONS

May 23, 2007 <<http://www.homeportfolio.com>>. Lone Star Doorbell With Circle 4 Inch.*

* cited by examiner

Primary Examiner—Robert M. Spear

Assistant Examiner—George D Kirschbaum

(74) *Attorney, Agent, or Firm*—Munsch Hardt Kopf & Harr, P.C.

(57) **CLAIM**

The ornamental design for a push button, as shown and described.

DESCRIPTION

FIG. 1 is a front perspective view of the push button showing our new design;

FIG. 2 is a right side elevational view thereof, the left side elevational view being a mirror image;

FIG. 3 is a top plan view thereof;

FIG. 4 is a front elevational view thereof;

FIG. 5 is a bottom plan view thereof; and,

FIG. 6 is a rear elevational view thereof.

1 Claim, 2 Drawing Sheets

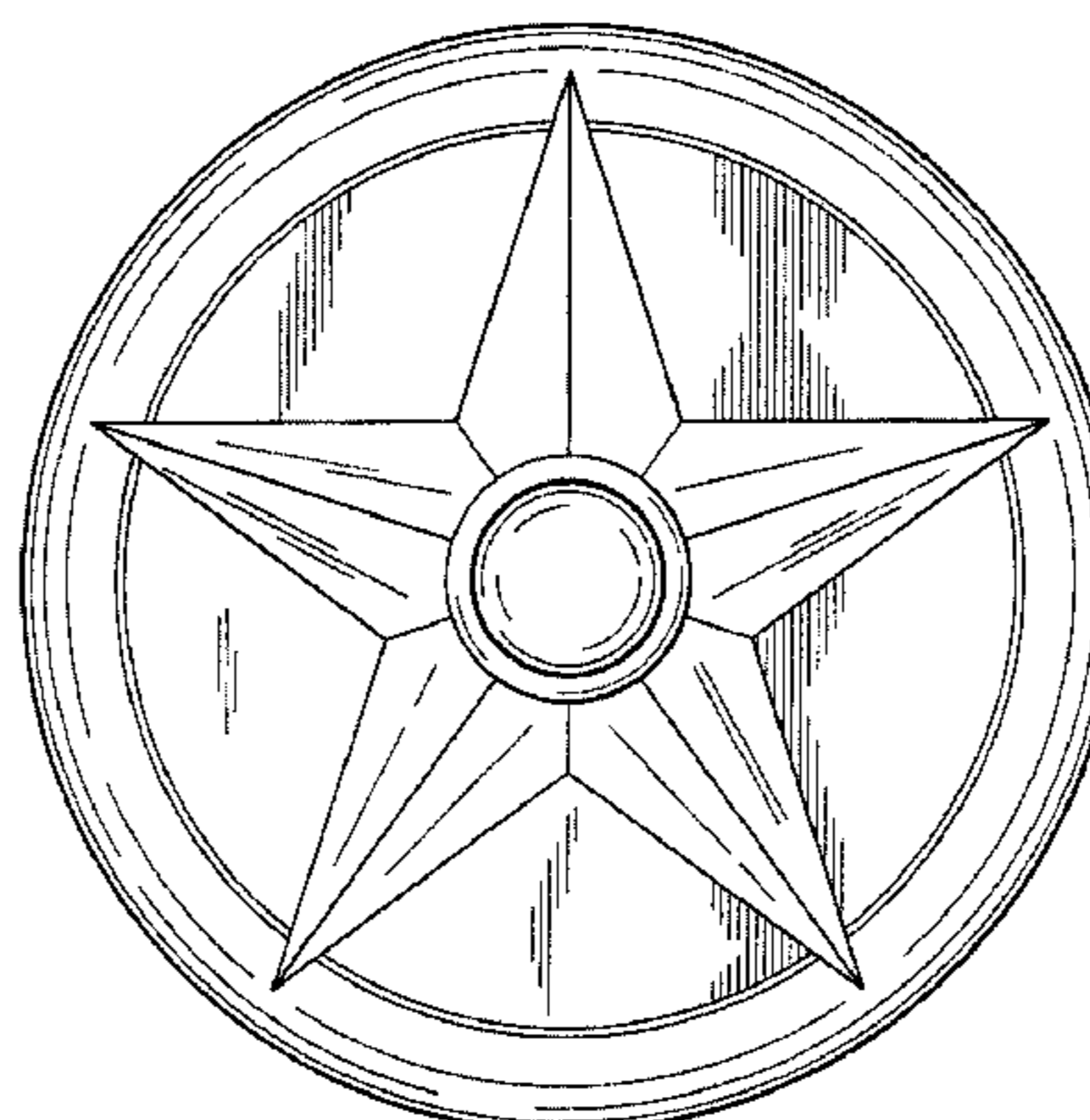
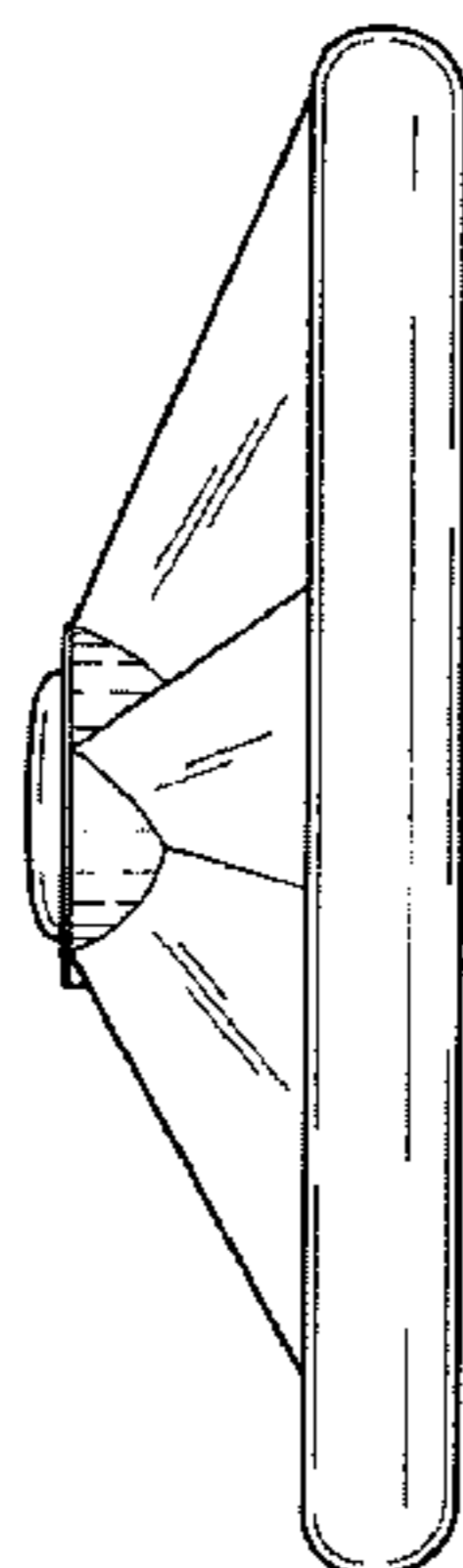
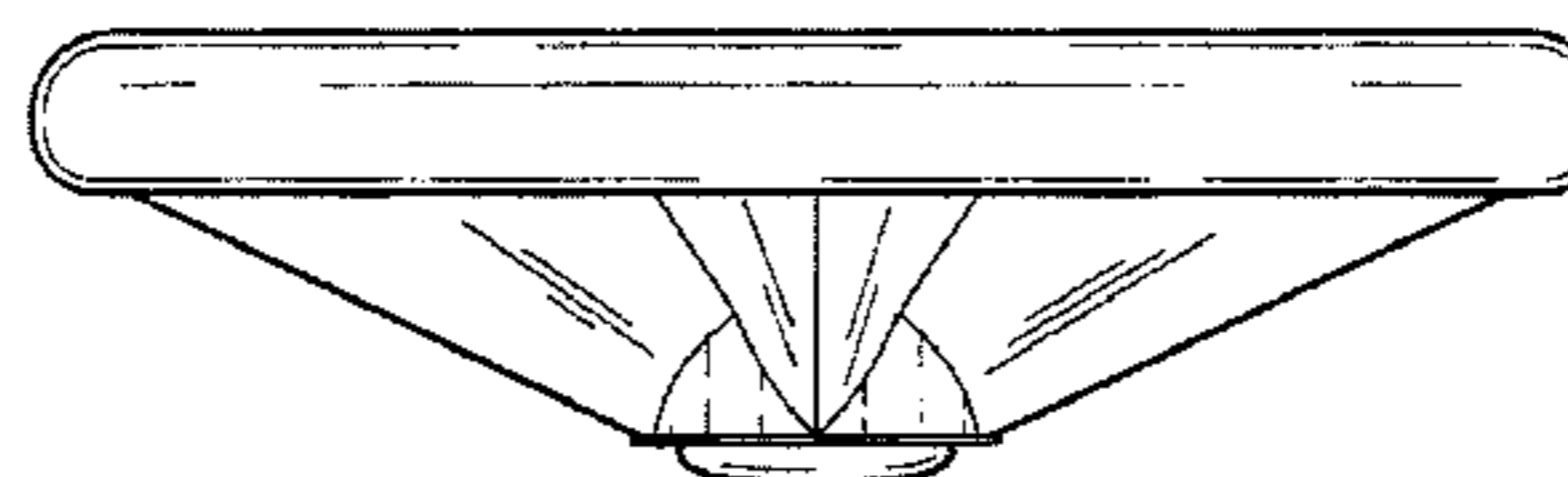
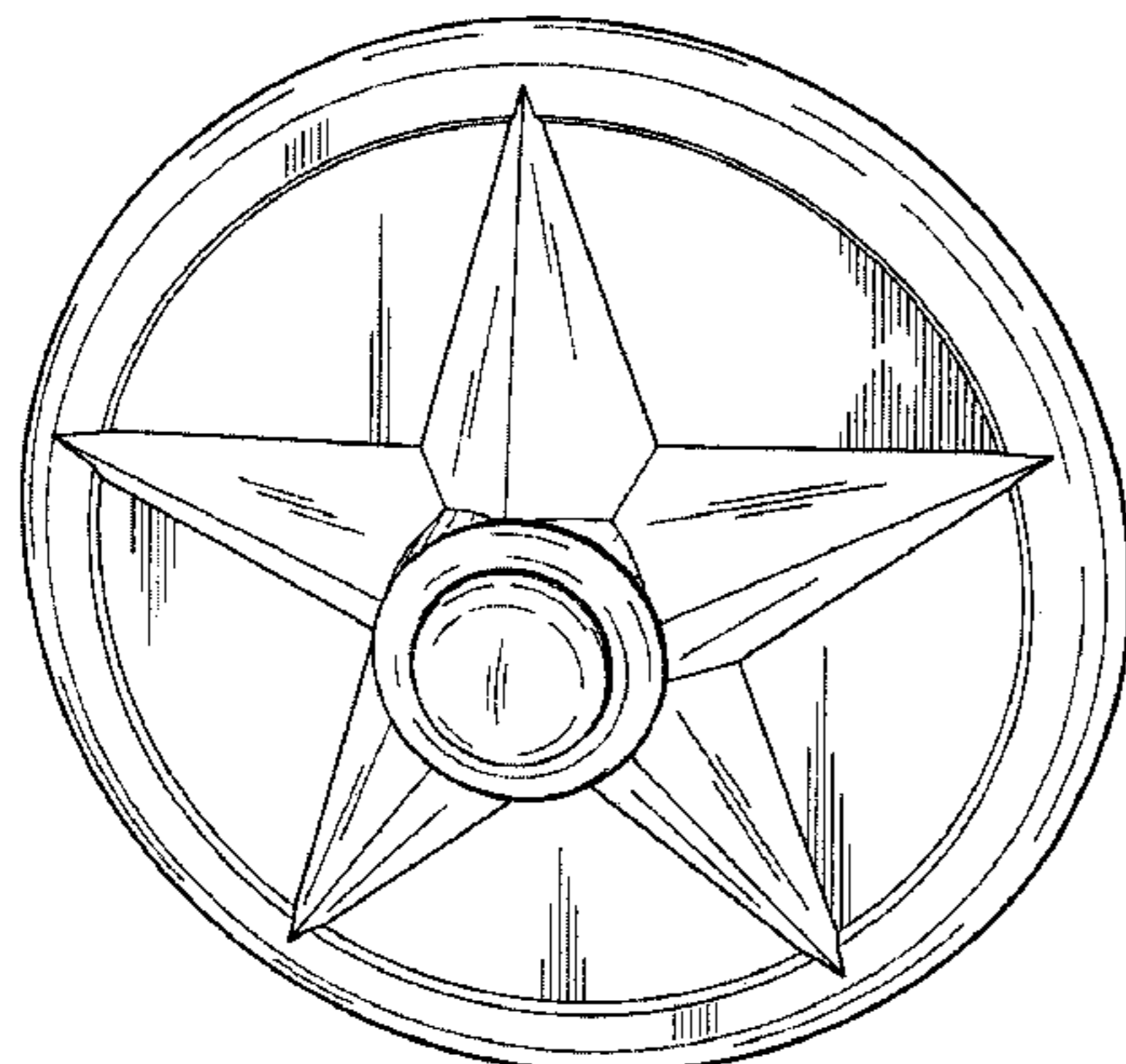


FIG. 1

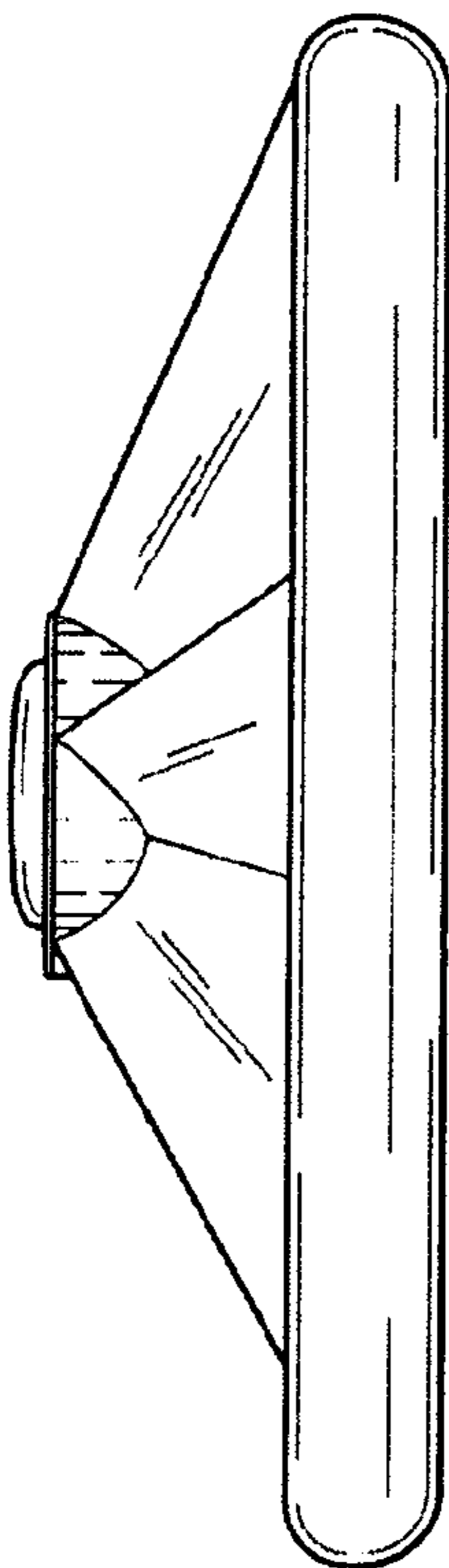
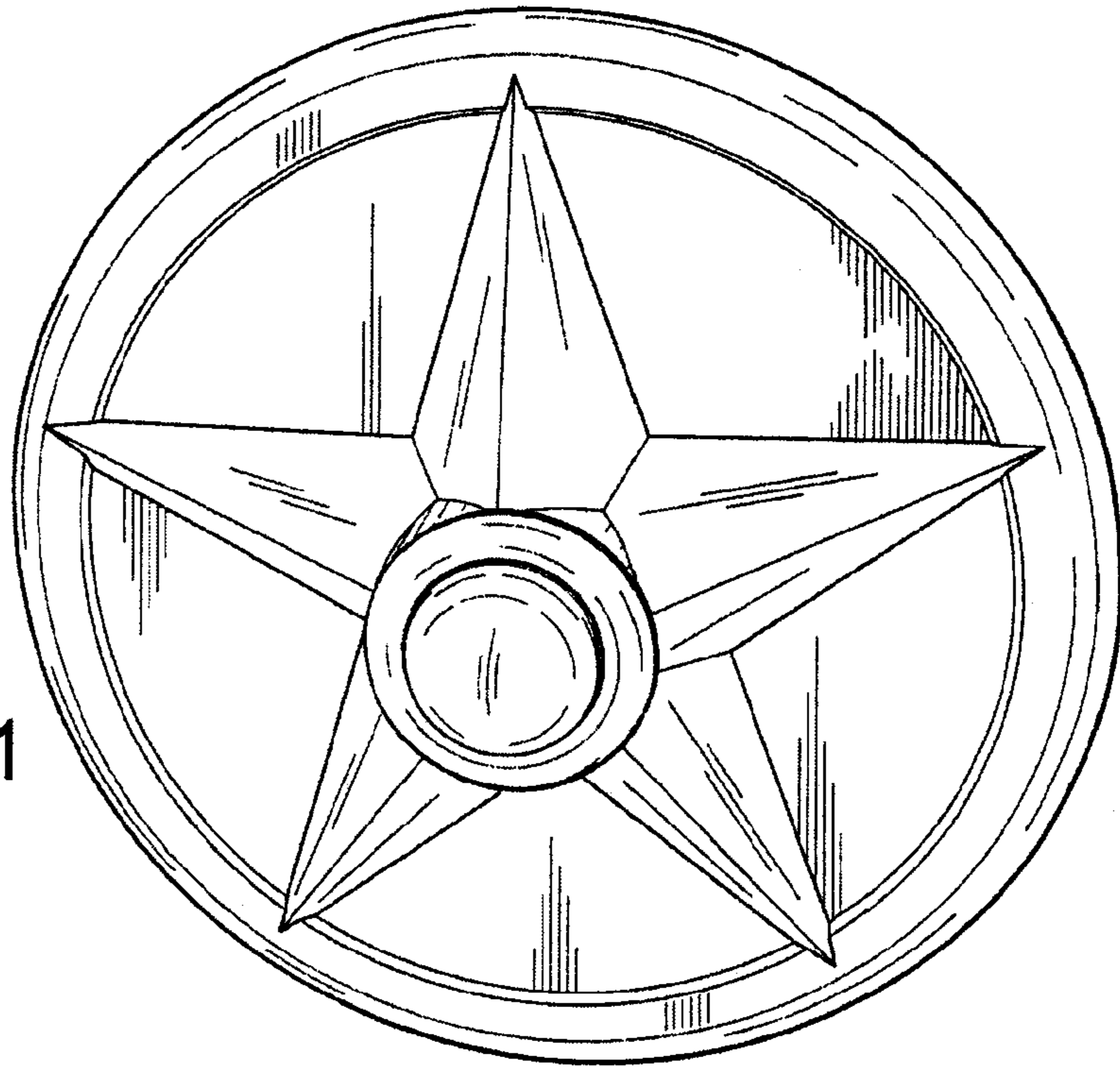


FIG. 2

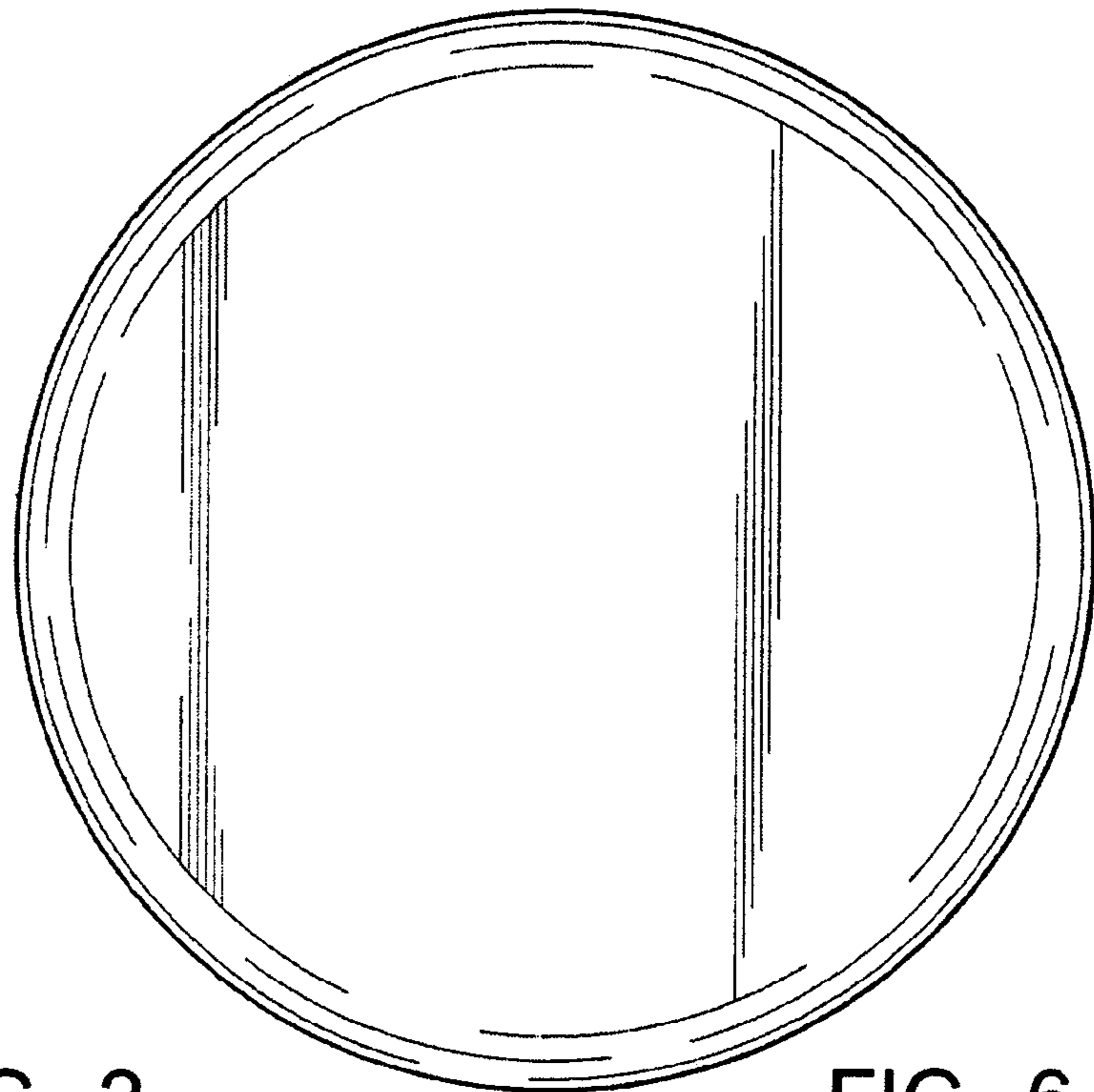


FIG. 6

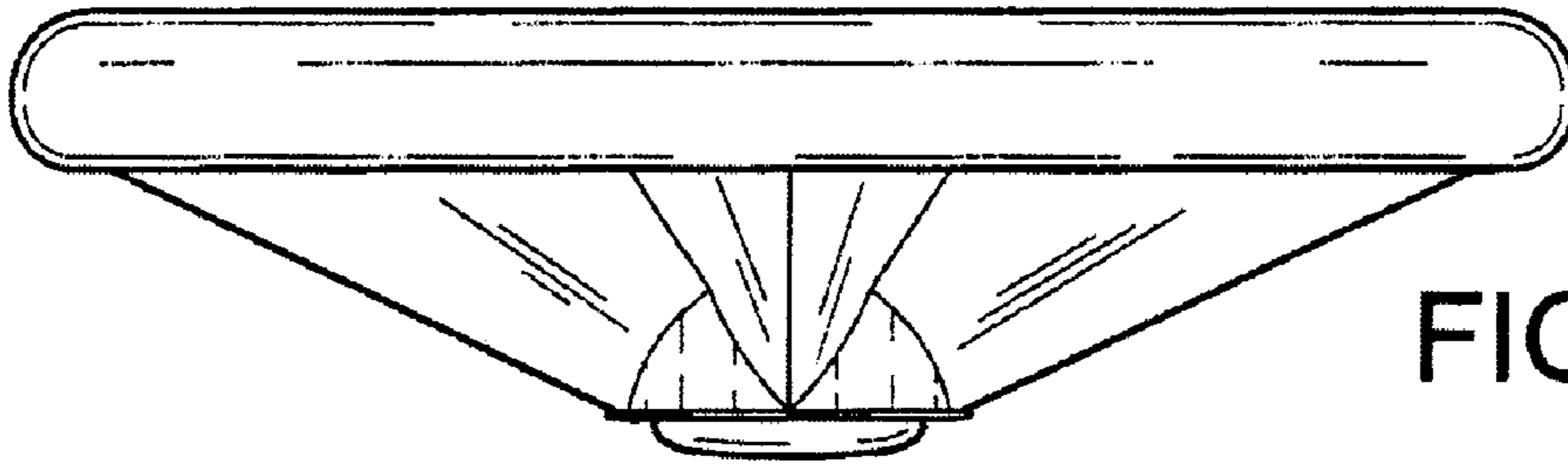


FIG. 3

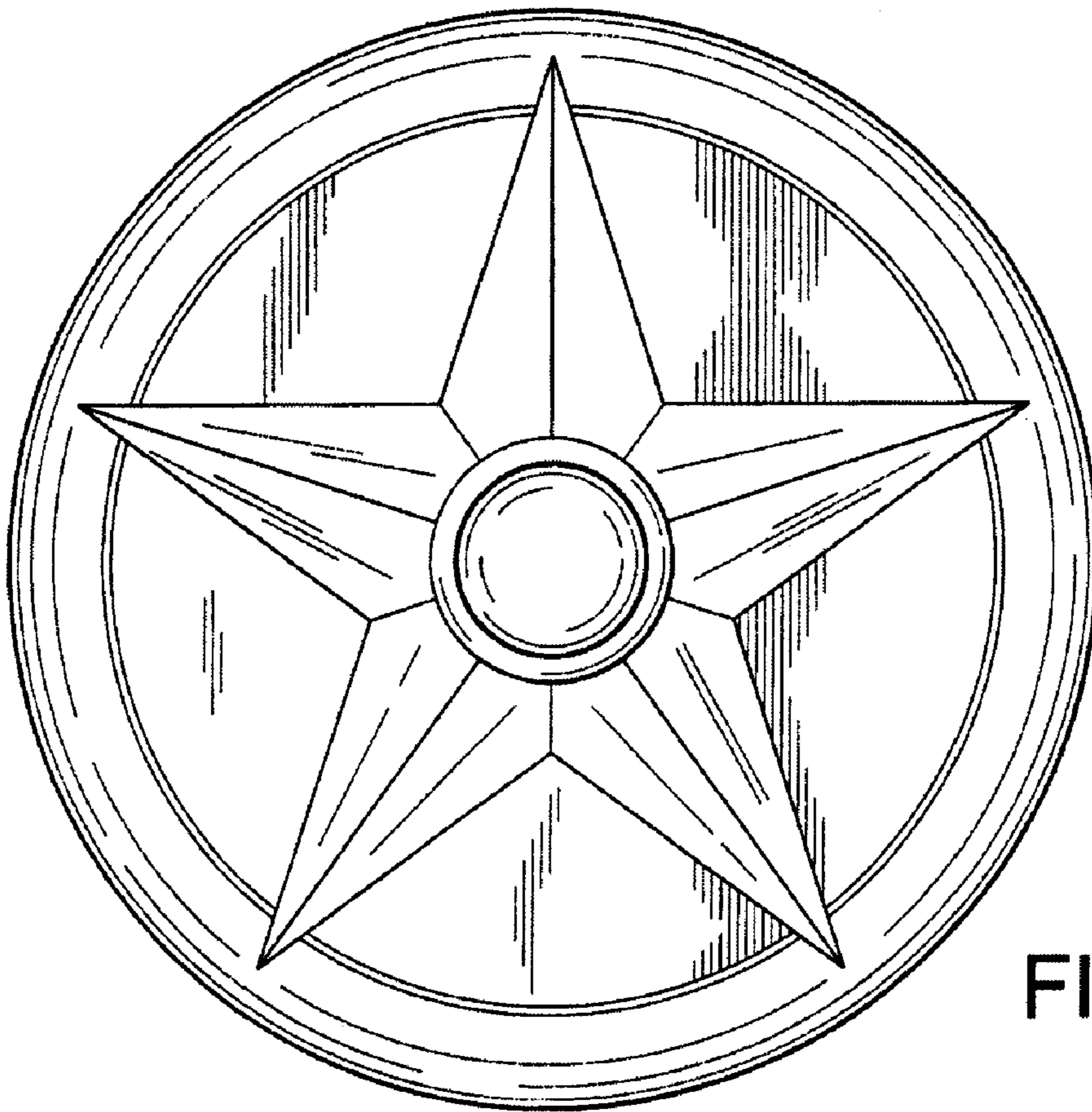


FIG. 4

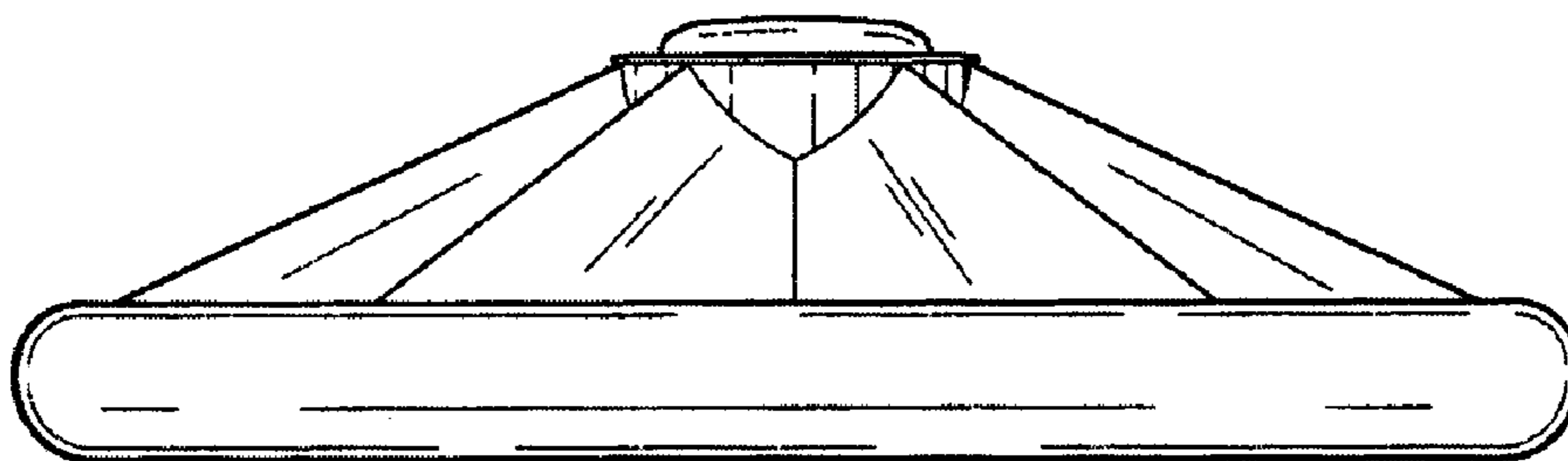


FIG. 5