



US00D549120S

(12) **United States Design Patent**
Mazzucchelli

(10) **Patent No.:** **US D549,120 S**

(45) **Date of Patent:** **** Aug. 21, 2007**

(54) **ANTI-THEFT DEVICE**

(75) Inventor: **Corrado Mazzucchelli**, Bergamo (IT)

(73) Assignee: **Plasti-Max SpA**, Bergamo (IT)

(**) Term: **14 Years**

(21) Appl. No.: **29/217,455**

(22) Filed: **Nov. 17, 2004**

(51) **LOC (8) Cl.** **10-05**

(52) **U.S. Cl.** **D10/105**

(58) **Field of Classification Search** D10/104-121;
D12/162; 70/18, 19, 58, 209; D8/330, 333
See application file for complete search history.

(56) **References Cited**

U.S. PATENT DOCUMENTS

3,999,409	A	*	12/1976	Bell	70/58
D294,451	S	*	3/1988	Gregg et al.	D8/330
5,671,619	A	*	9/1997	Hou	70/209
D389,442	S	*	1/1998	Kantor	D12/162
D389,724	S	*	1/1998	Webster	D8/333
5,806,350	A	*	9/1998	Savinsky	70/18
D402,180	S	*	12/1998	Chappell	D8/333

D451,783	S	*	12/2001	Yu	D8/334
D508,657	S	*	8/2005	Belden, Jr.	D10/104
2003/0101779	A1	*	6/2003	Chappell	70/202

* cited by examiner

Primary Examiner—Robert M. Spear

Assistant Examiner—George D. Kirschbaum, Jr.

(74) *Attorney, Agent, or Firm*—Nixon & Vanderhye P.C.

(57) **CLAIM**

The ornamental design for an anti-theft device, as shown and described.

DESCRIPTION

FIG. 1 is a top right side perspective view of an anti-theft device according to my new design;

FIG. 2 is a front view (the rear view is a mirror image) thereof;

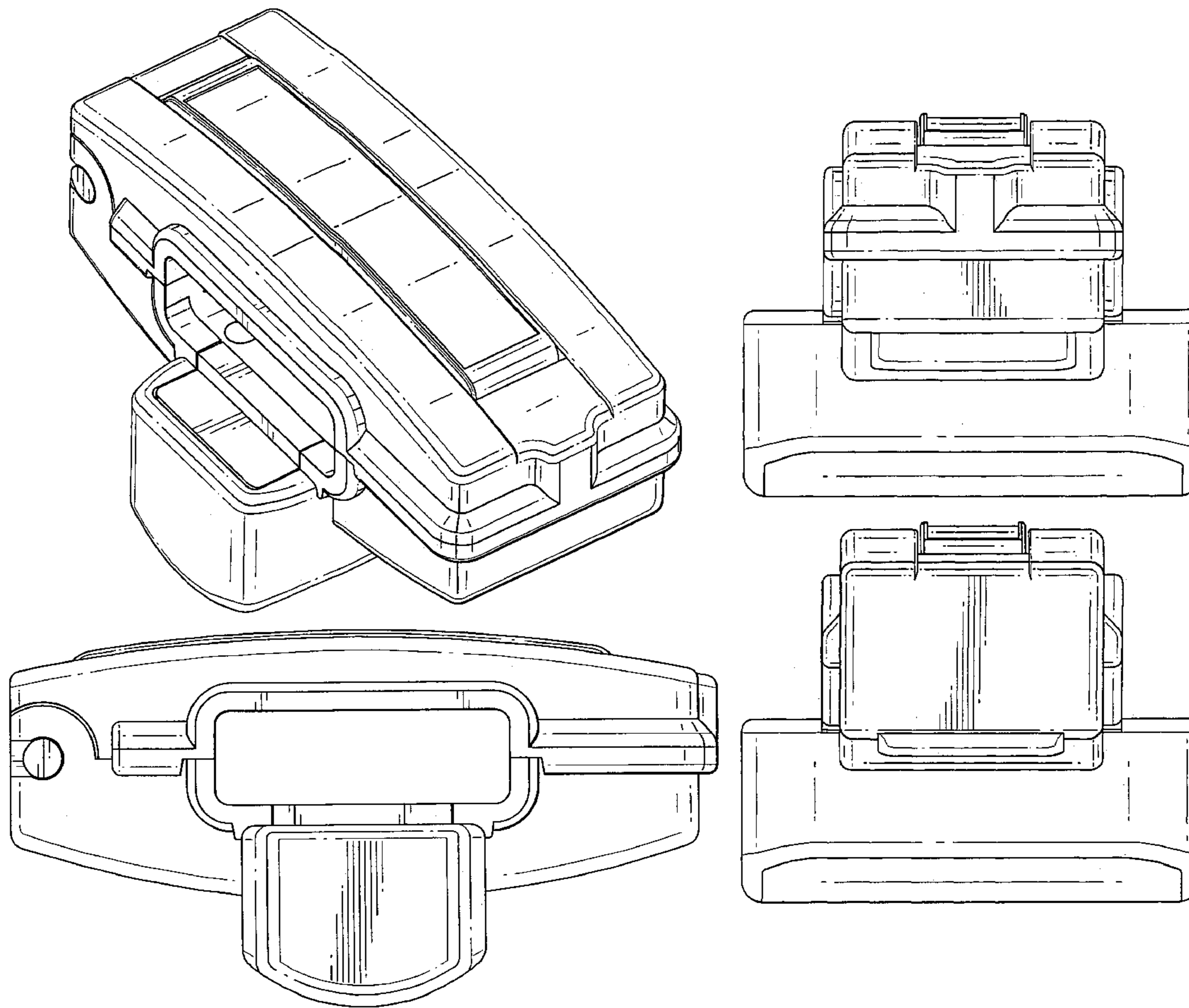
FIG. 3 is a right side view thereof;

FIG. 4 is a left side view thereof;

FIG. 5 is a top view thereof; and,

FIG. 6 is a bottom view thereof.

1 Claim, 5 Drawing Sheets



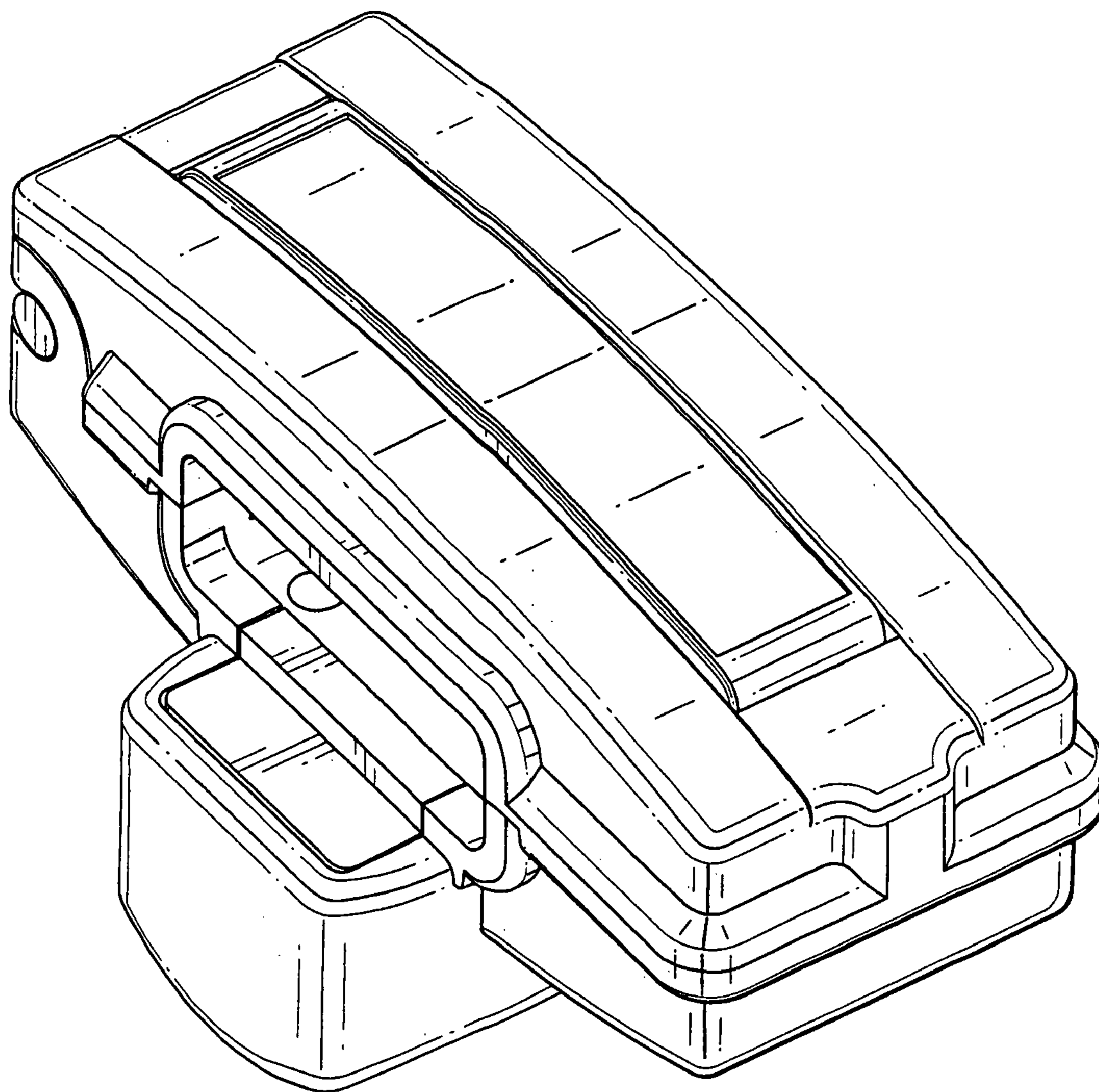


Fig. 1

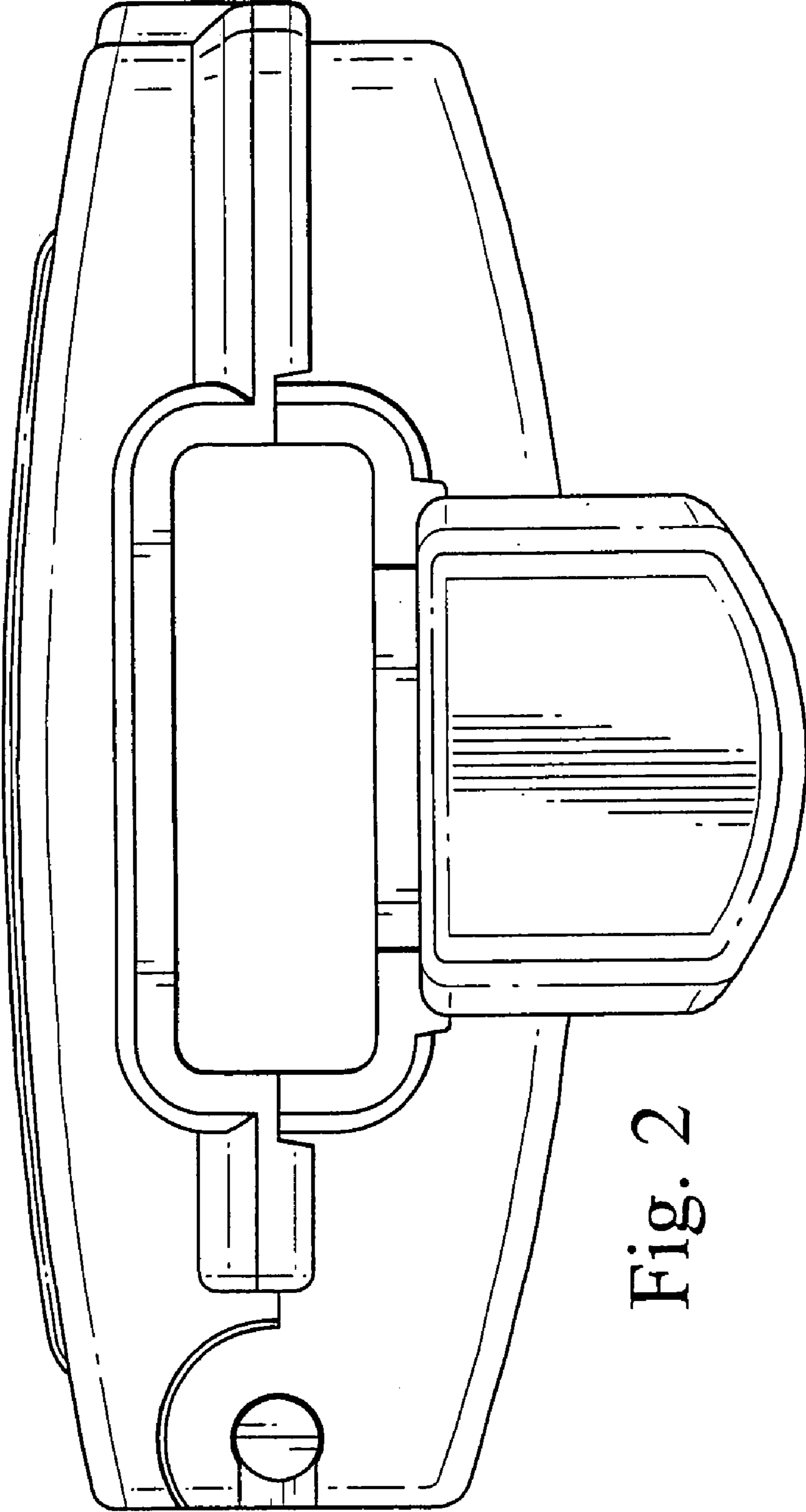


Fig. 2

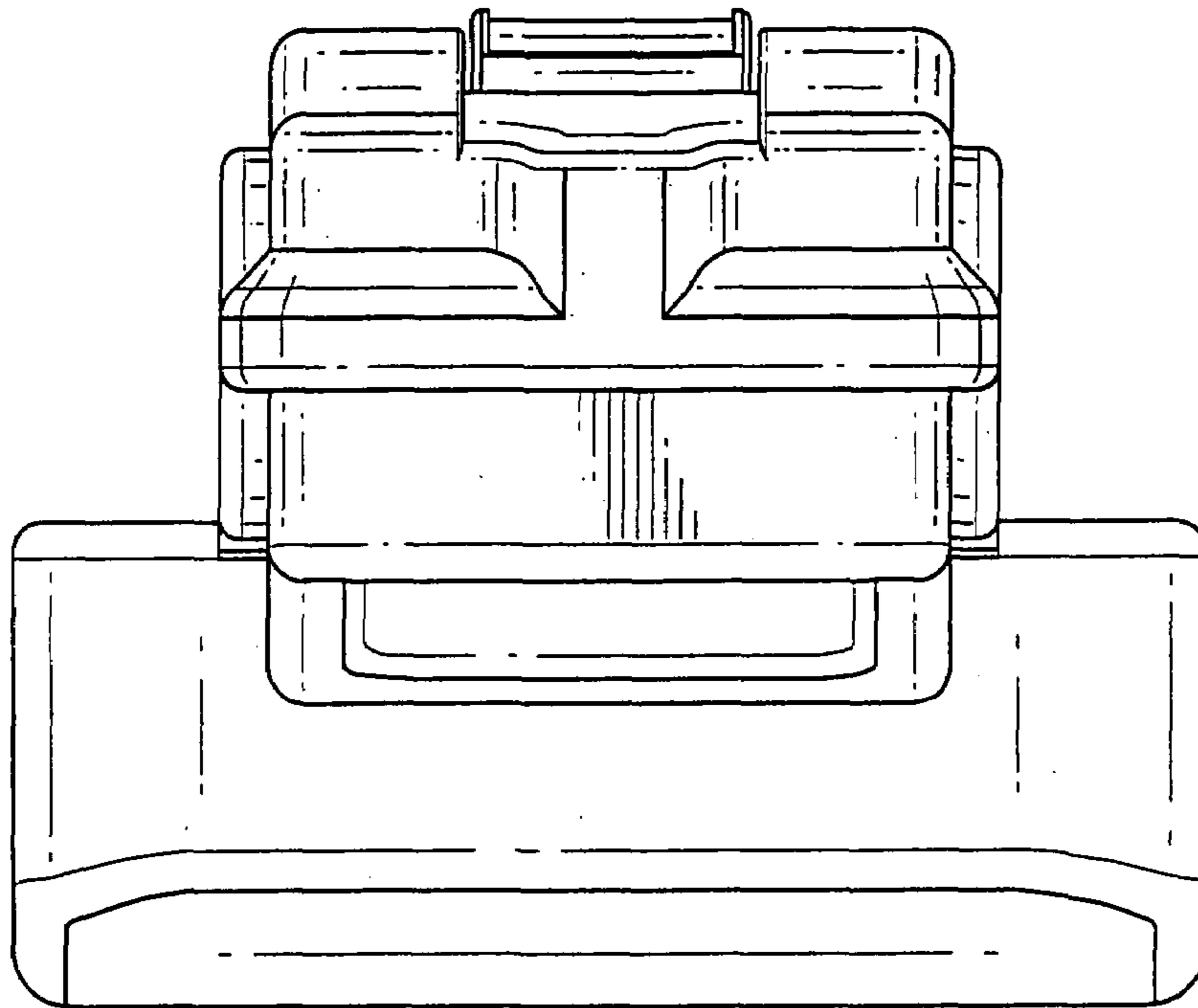


Fig. 3

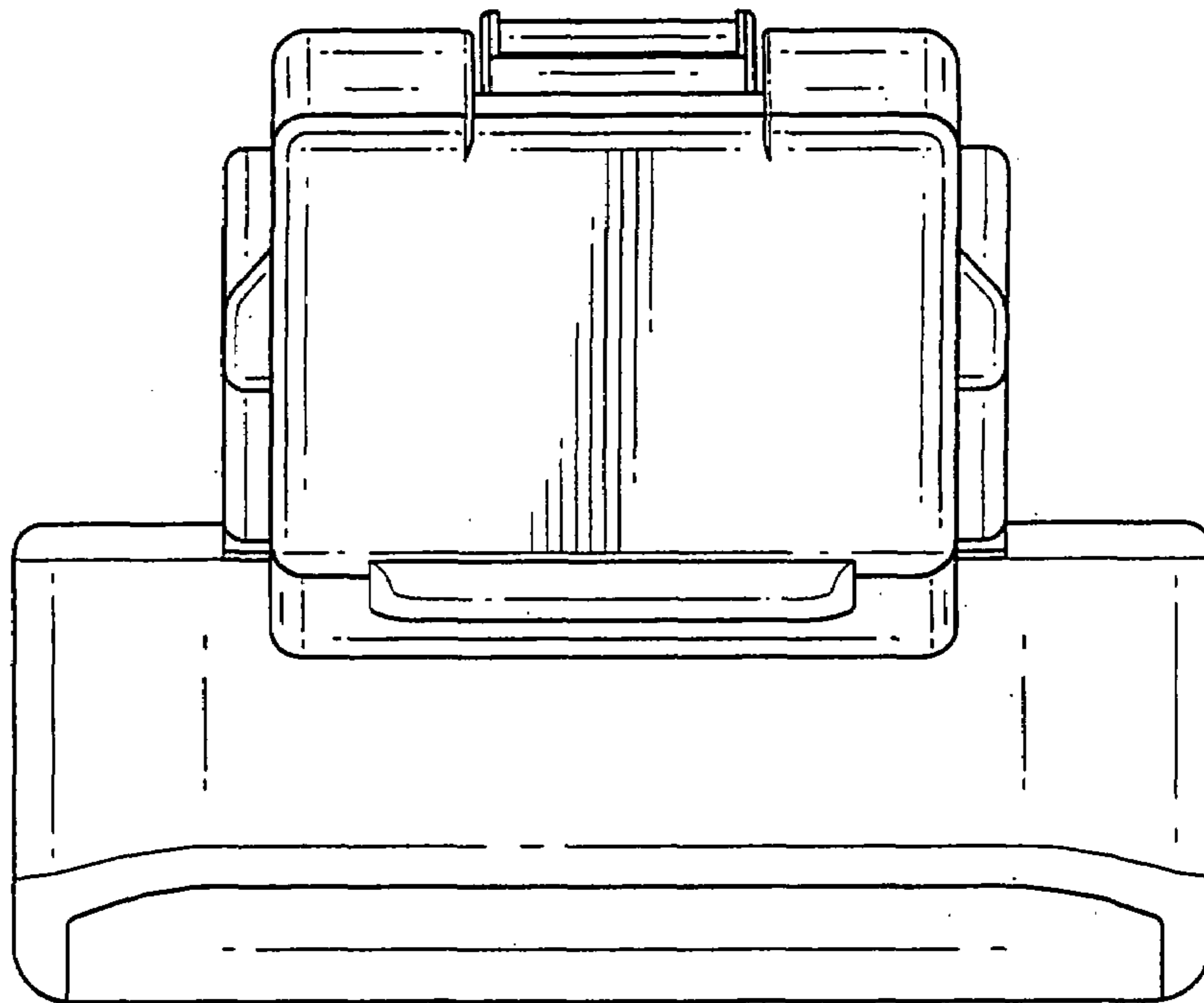


Fig. 4

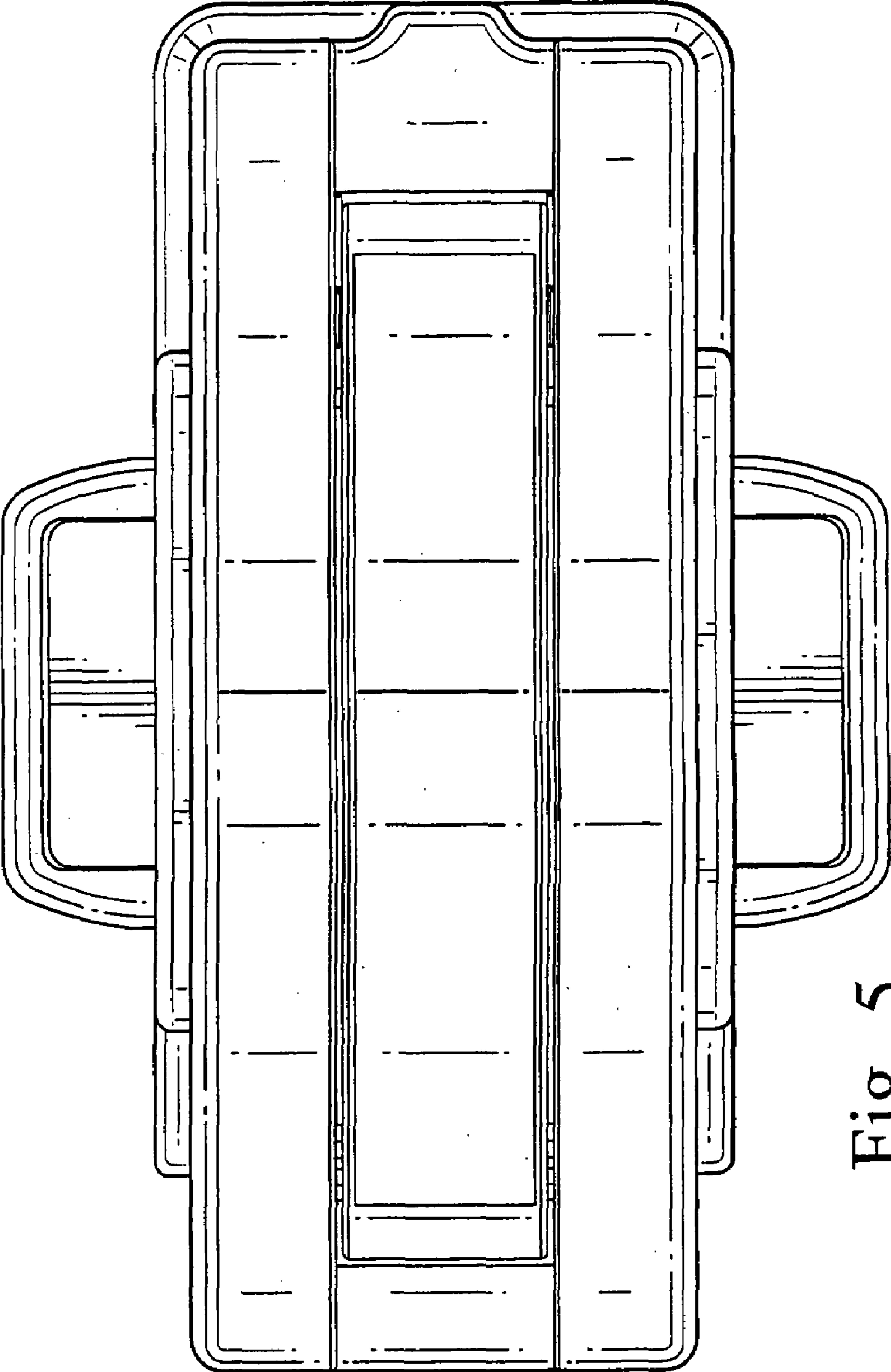


Fig. 5

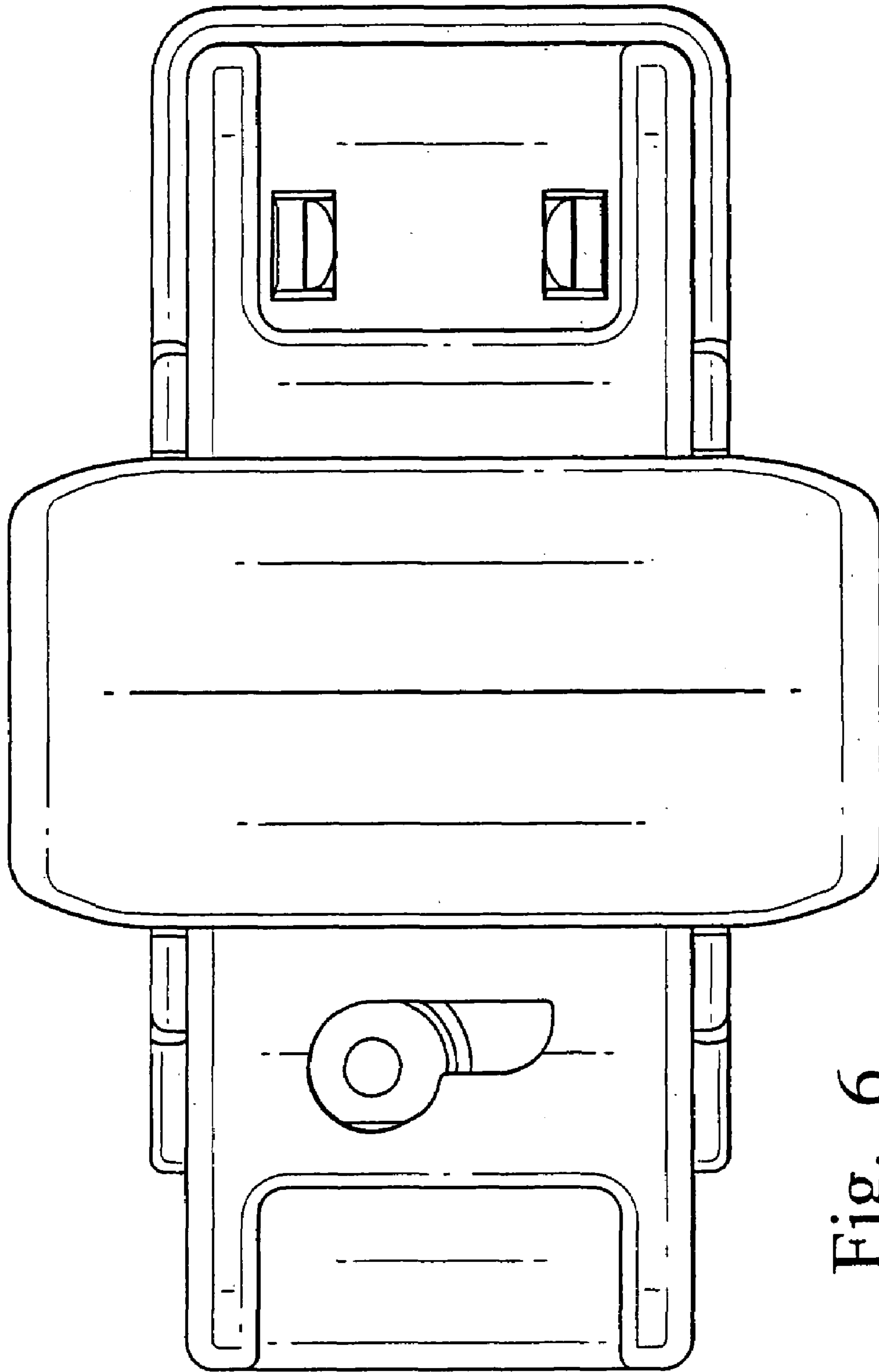


Fig. 6