

US00D549118S

(12) **United States Design Patent** (10) **Patent No.:** **US D549,118 S**
Caine et al. (45) **Date of Patent:** **** Aug. 21, 2007**

(54) **PRESSURE REGULATOR**

(75) Inventors: **Donald R. Caine**, Greensboro, NC (US); **Bruce A. Angel**, Kernersville, NC (US)

(73) Assignee: **Camco Manufacturing, Inc.**, Greensboro, NC (US)

(**) Term: **14 Years**

(21) Appl. No.: **29/233,808**

(22) Filed: **Jul. 8, 2005**

(51) **LOC (8) Cl.** **10-04**

(52) **U.S. Cl.** **D10/85**

(58) **Field of Classification Search** D10/46,
D10/85; D23/233, 235, 236; 137/82.1, 116.5,
137/463, 505.25, 505.41-505.46, 614.2,
137/855, 906

See application file for complete search history.

(56) **References Cited**

U.S. PATENT DOCUMENTS

D260,280 S	8/1981	Campbell	
D278,739 S	5/1985	Galloway	
D287,827 S *	1/1987	Broden	D10/46
D316,975 S *	5/1991	Brown et al.	D10/46
5,881,757 A *	3/1999	Kuster et al.	137/15.19
D412,738 S	8/1999	Kuwabara	
6,158,457 A *	12/2000	Byrd et al.	137/505.25
D442,267 S	5/2001	Kouda	
D499,464 S	12/2004	Caine	

OTHER PUBLICATIONS

Ref. sheet 1, Part# G-790 & G-9227, Water Pressure Regulator, World Wide Website: marshallbrass.com, Jun. 21, 2005.

Ref. sheet 2, Stainless Steel Water Pressure Regulator, World Wide Website: rvbasics.com, Jun. 22, 2005.

Ref. sheet 3, Item# 191774, Drip system regulator, World Wide Website: lowes.com, Jun. 22, 2005.

* cited by examiner

Primary Examiner—Antoine D. Davis

(57) **CLAIM**

The ornamental design for a pressure regulator, as shown and described.

DESCRIPTION

FIG. 1 is a front, bottom right side perspective view of a pressure regulator for a hose embodying our design;

FIG. 2 is a rear, top right side perspective view of the pressure regulator of FIG. 1;

FIG. 3 is a front elevation view thereof;

FIG. 4 is a rear elevation view thereof;

FIG. 5 is a top plan view thereof;

FIG. 6 is a right side elevation view thereof;

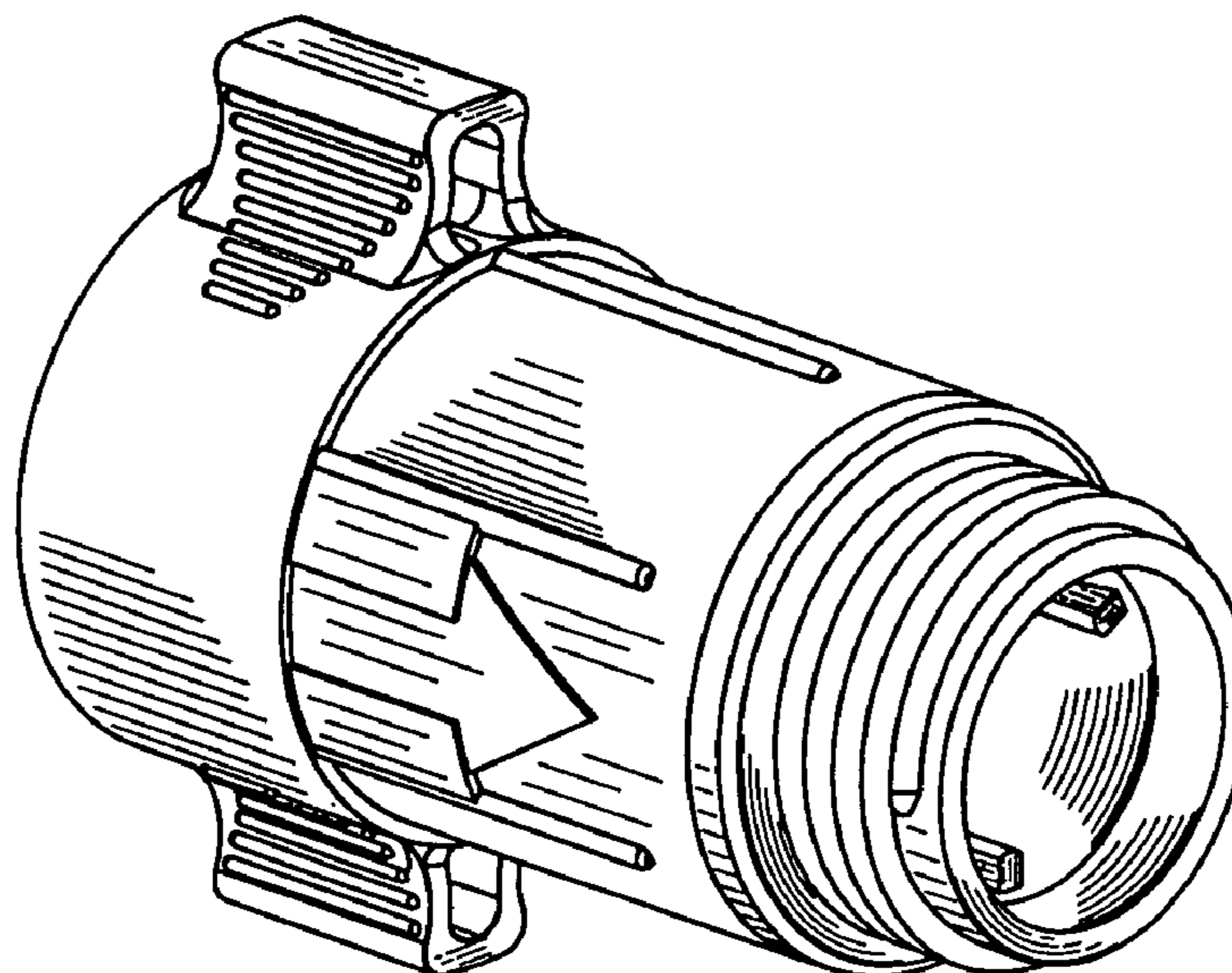
Fig. 7 is a left side elevation view thereof;

FIG. 8 is a bottom plan view thereof;

FIG. 9 is a partial cross-sectional perspective view as shown from the top by line 9-9 in FIG. 7; and,

FIG. 10 is a partial cross-sectional perspective view as seen from the bottom by line 10-10 in FIG. 6 thereof.

1 Claim, 3 Drawing Sheets



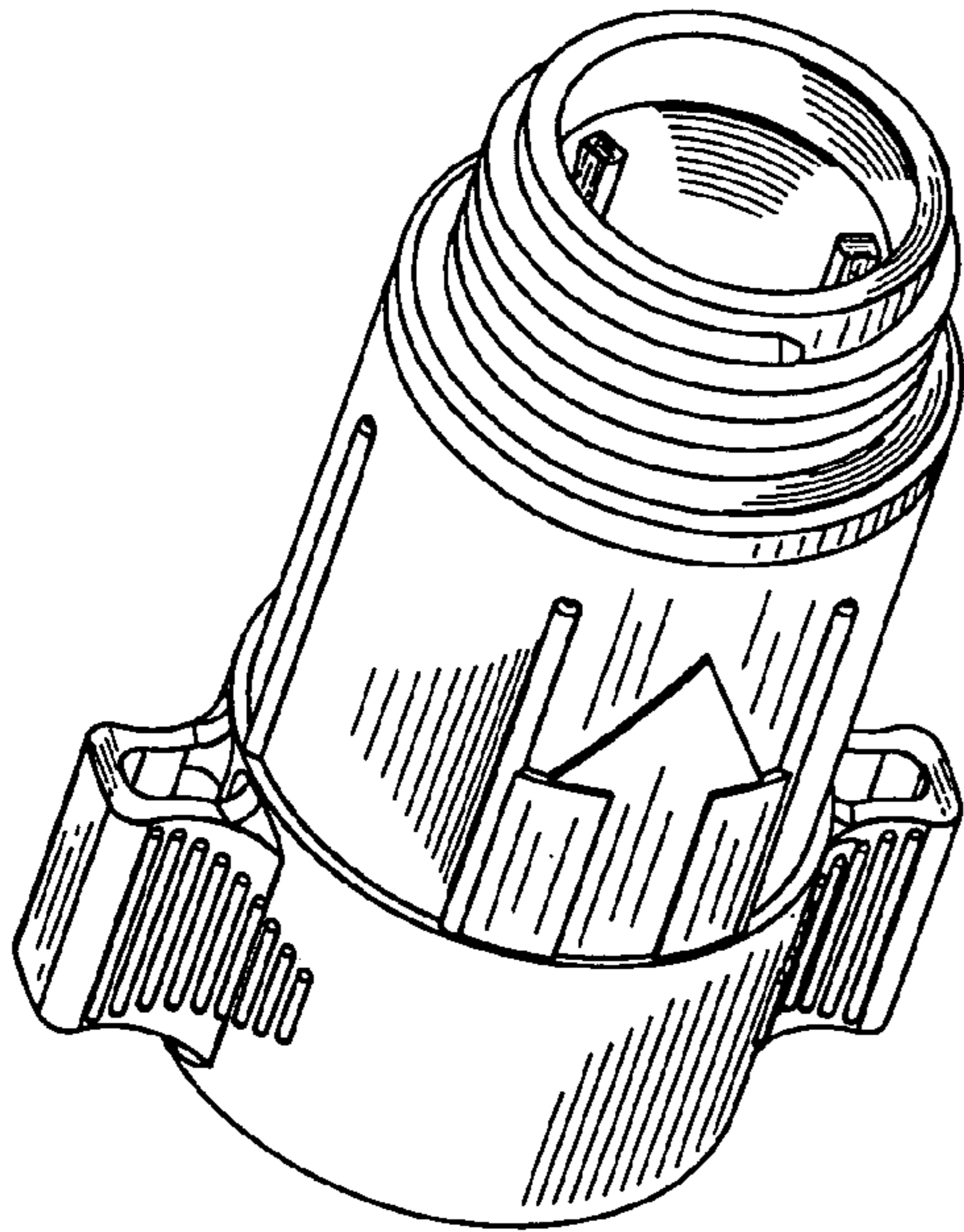


Fig. 1

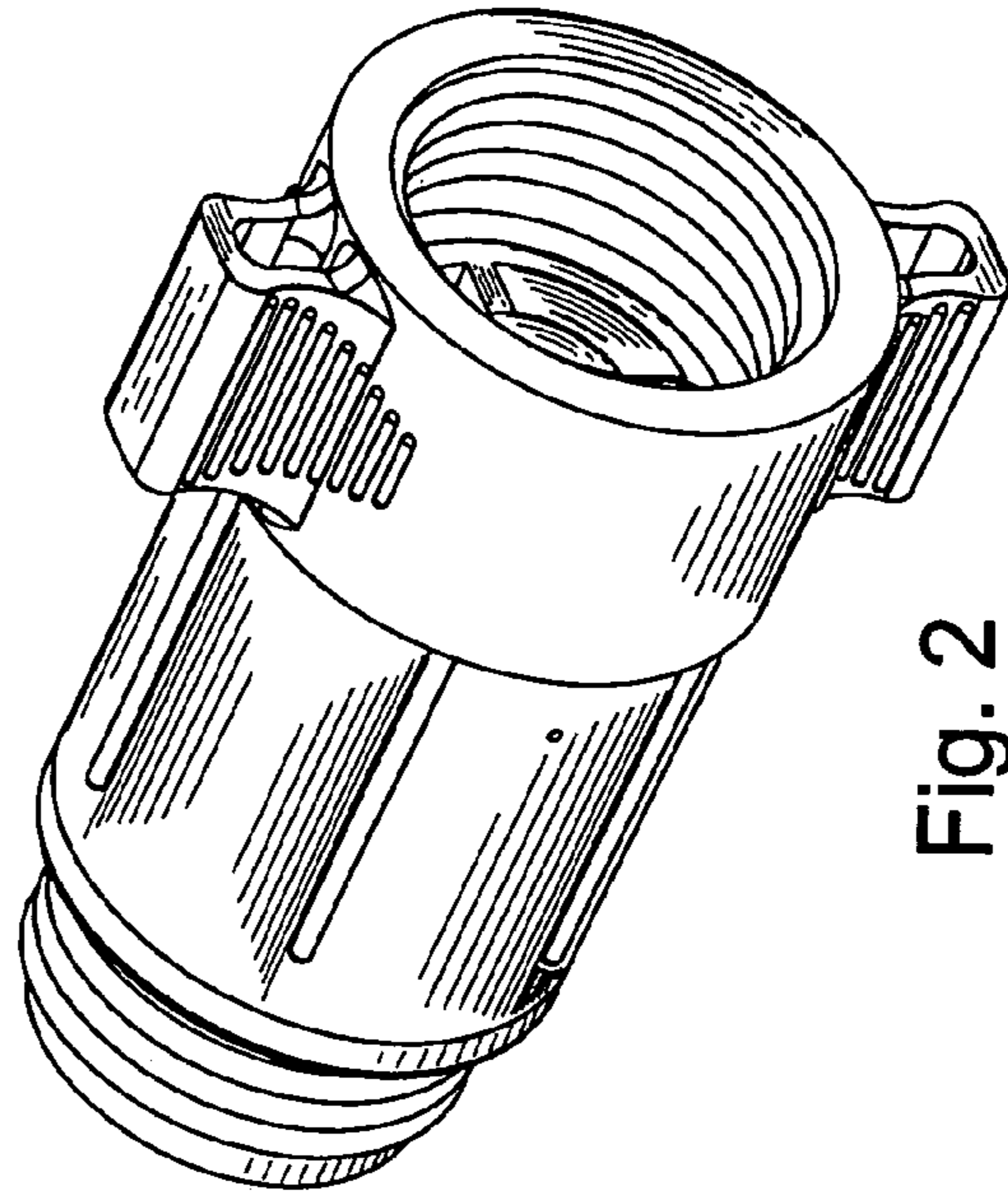


Fig. 2

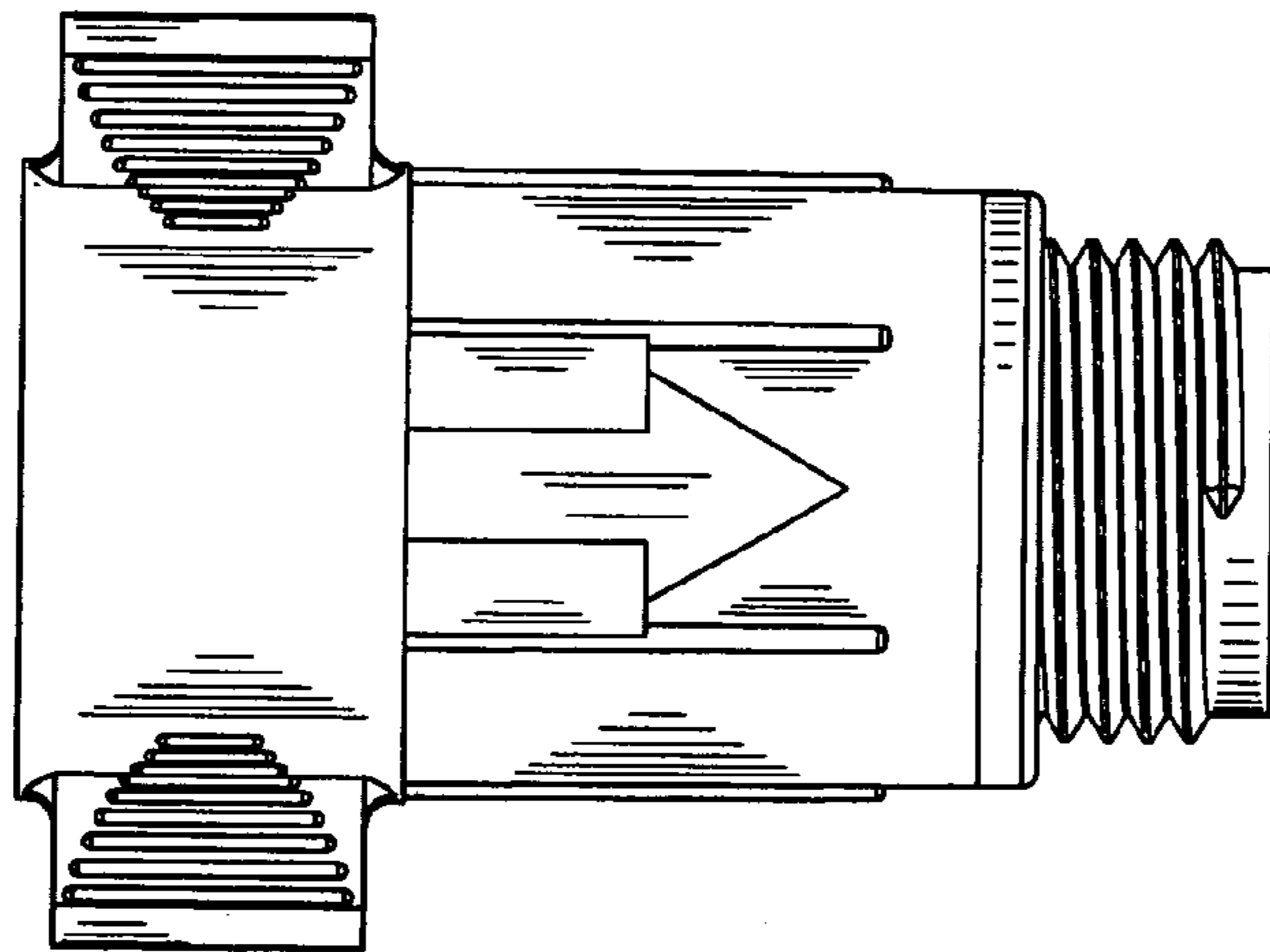


Fig. 3

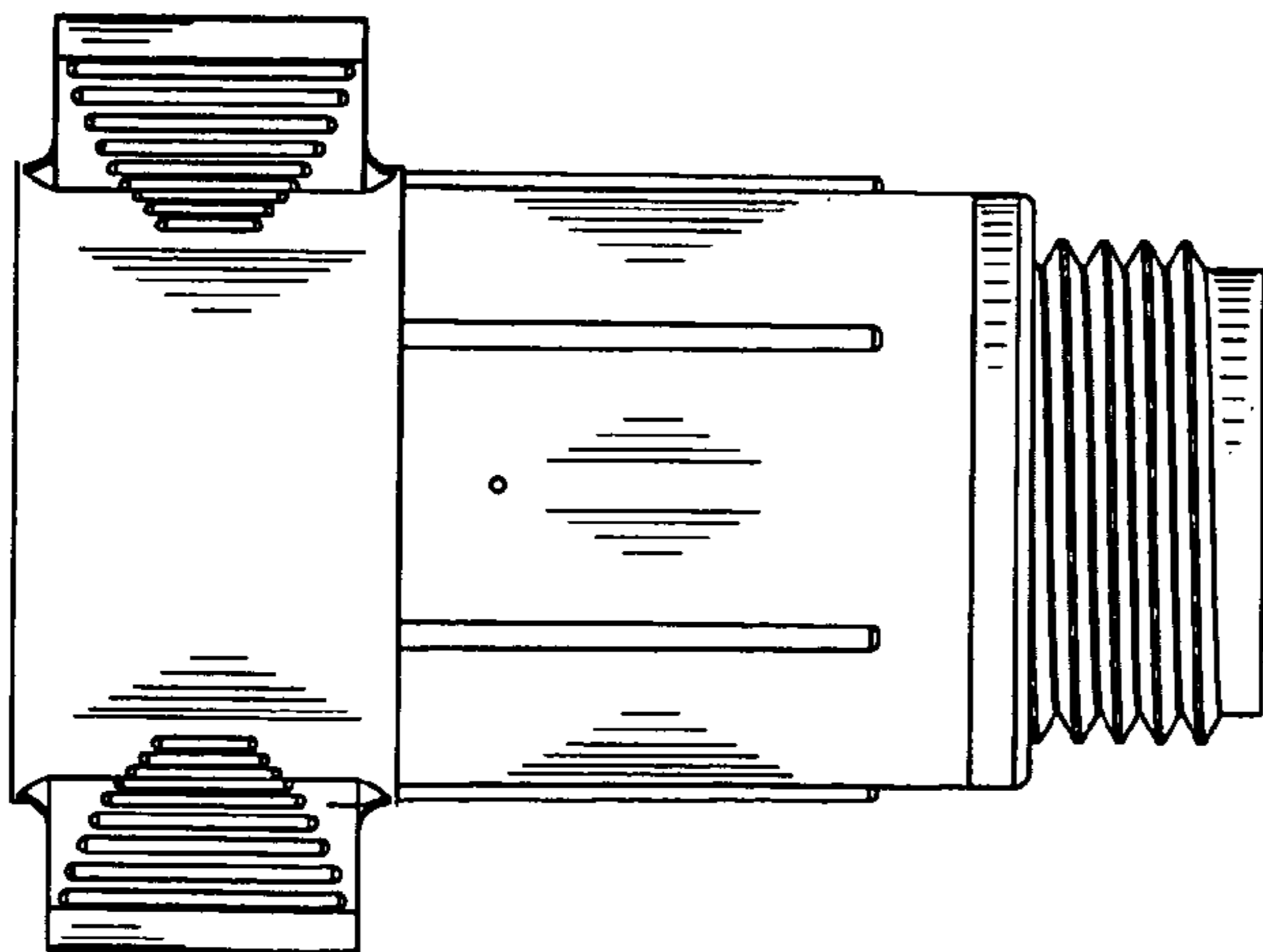


Fig. 4

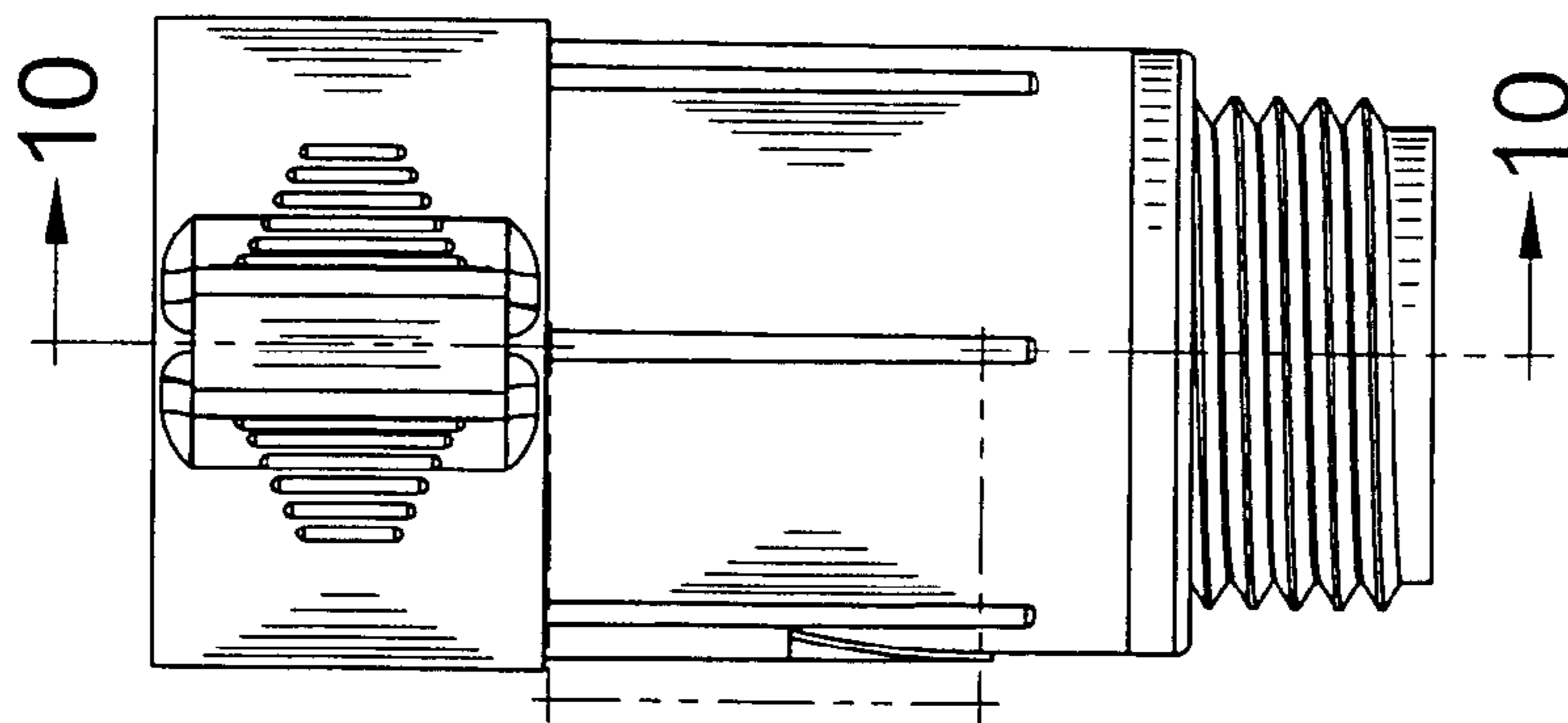


Fig. 6

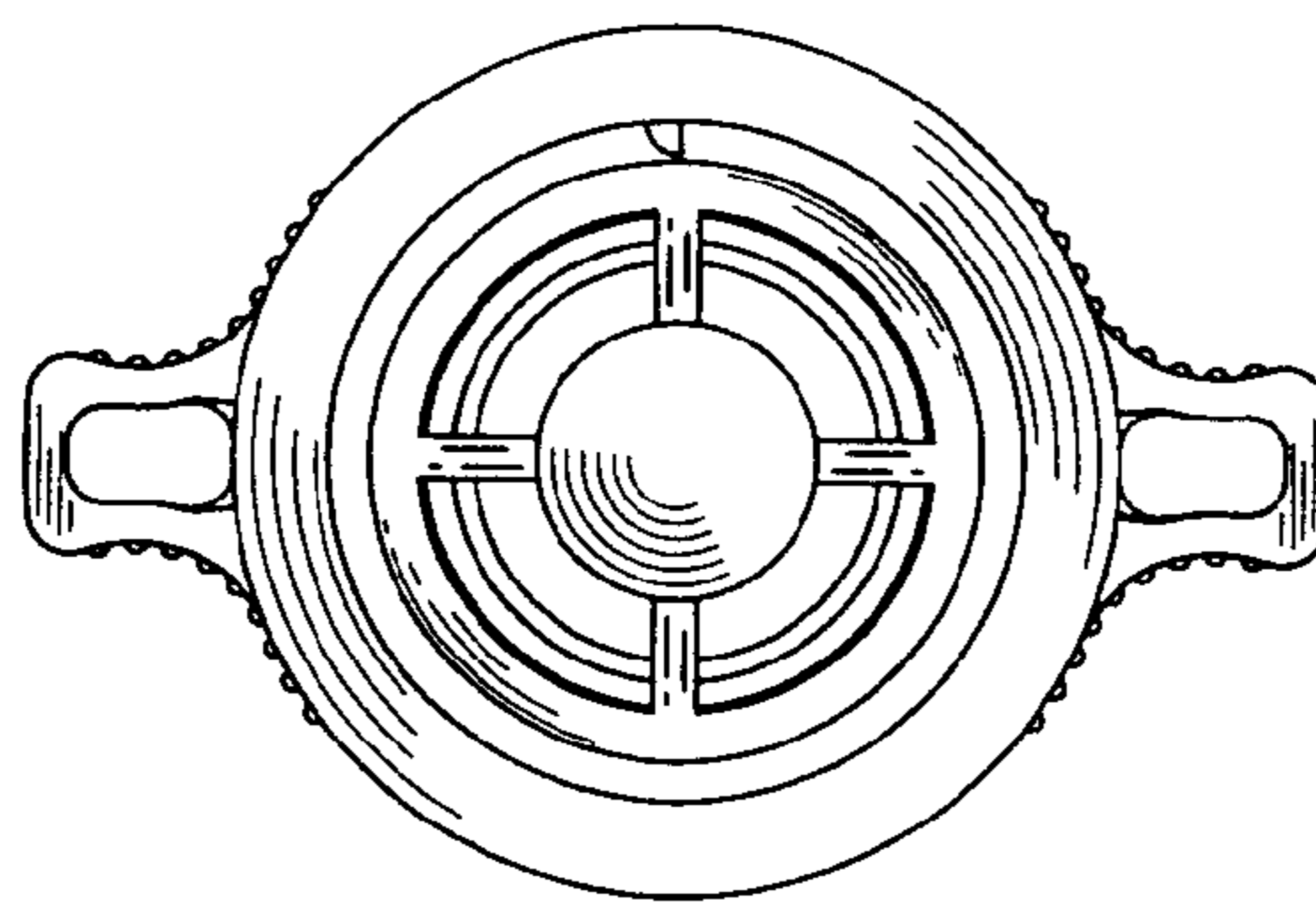


Fig. 5

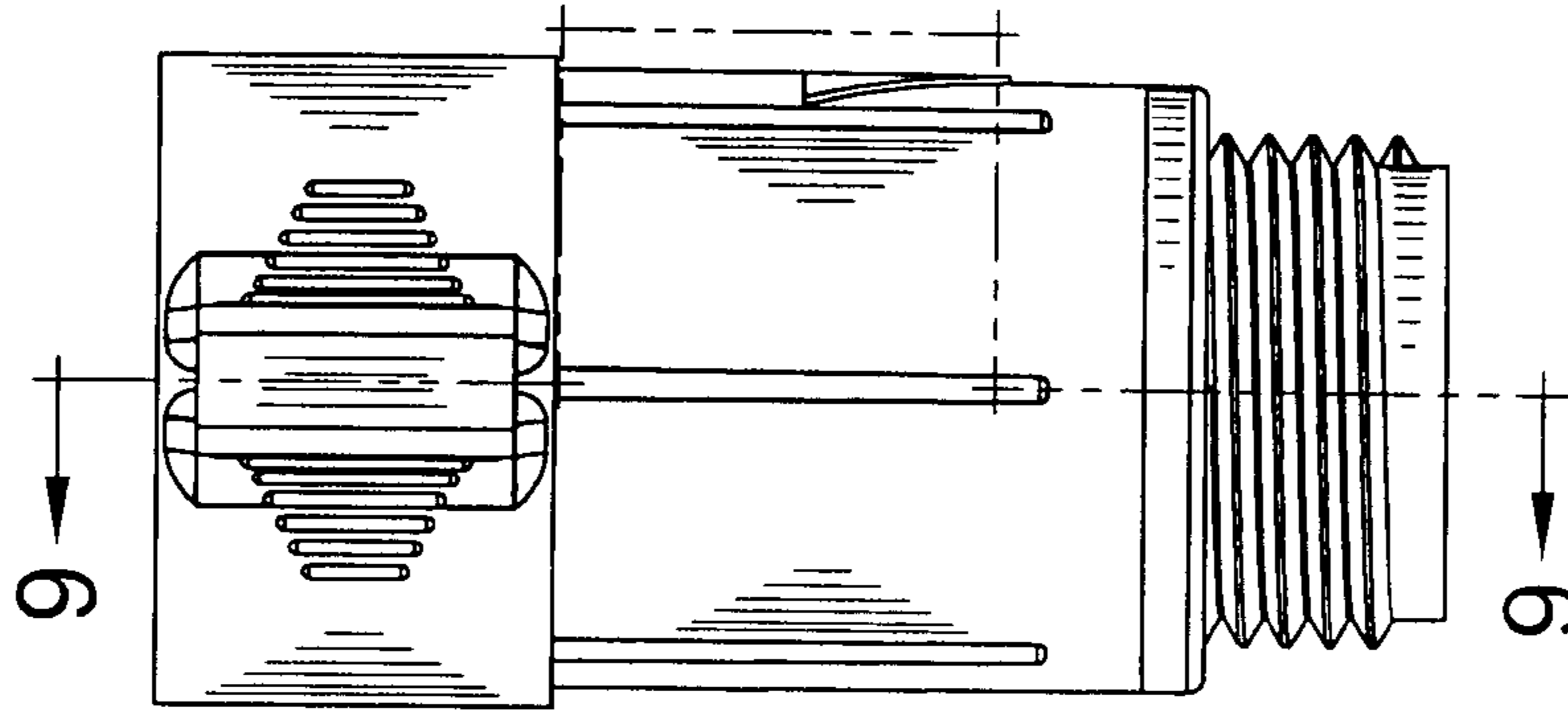


Fig. 7

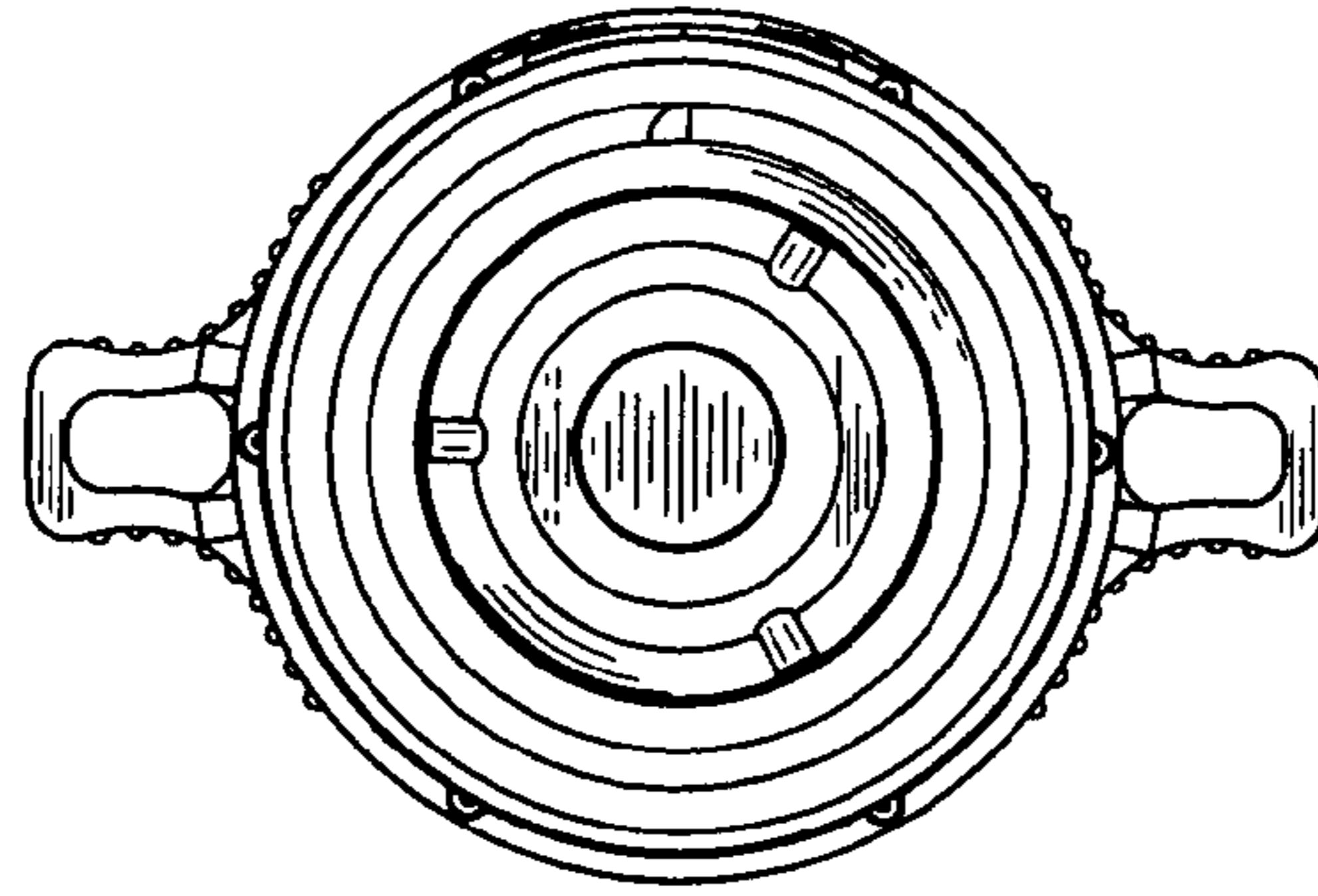


Fig. 8

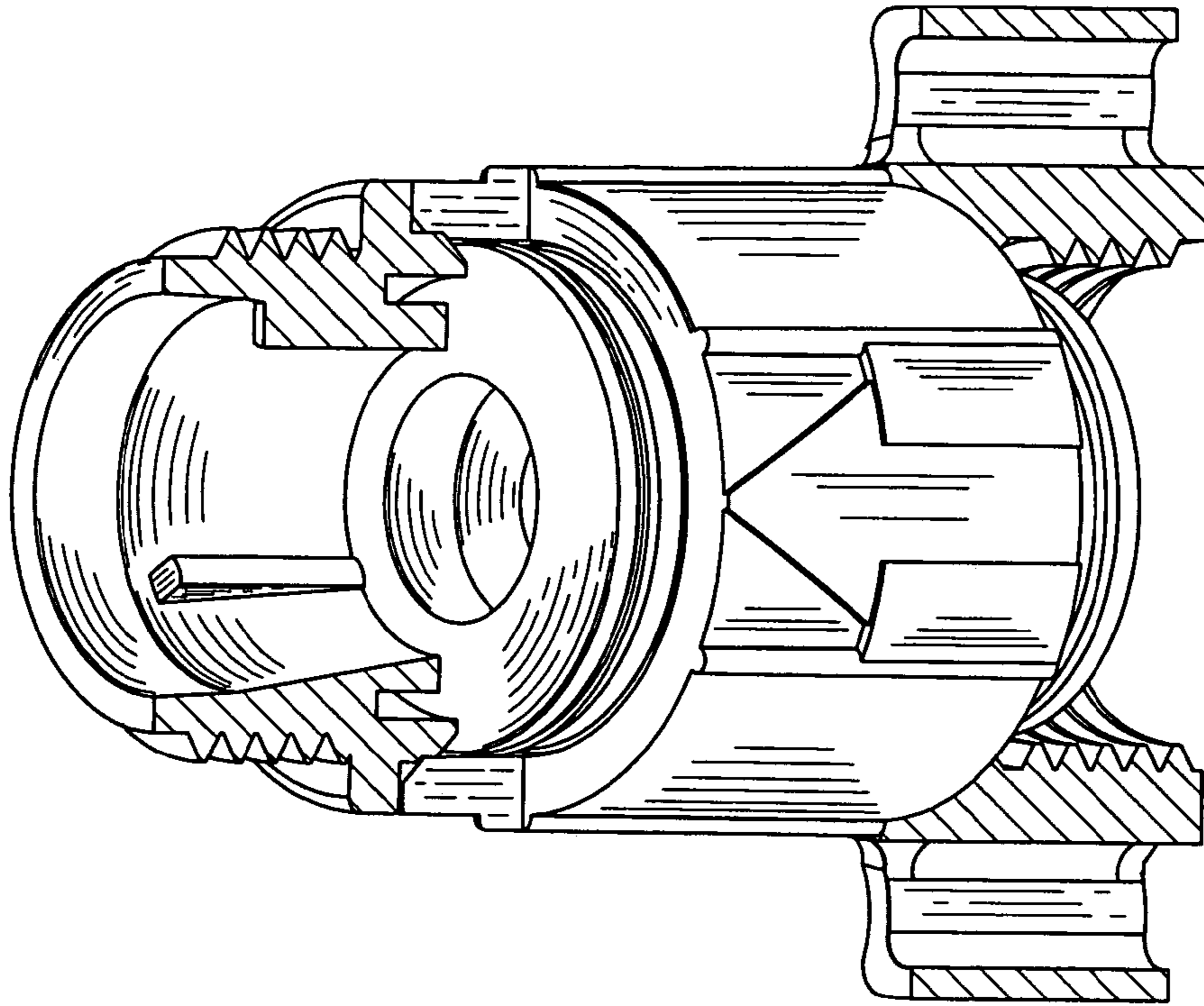


Fig. 10

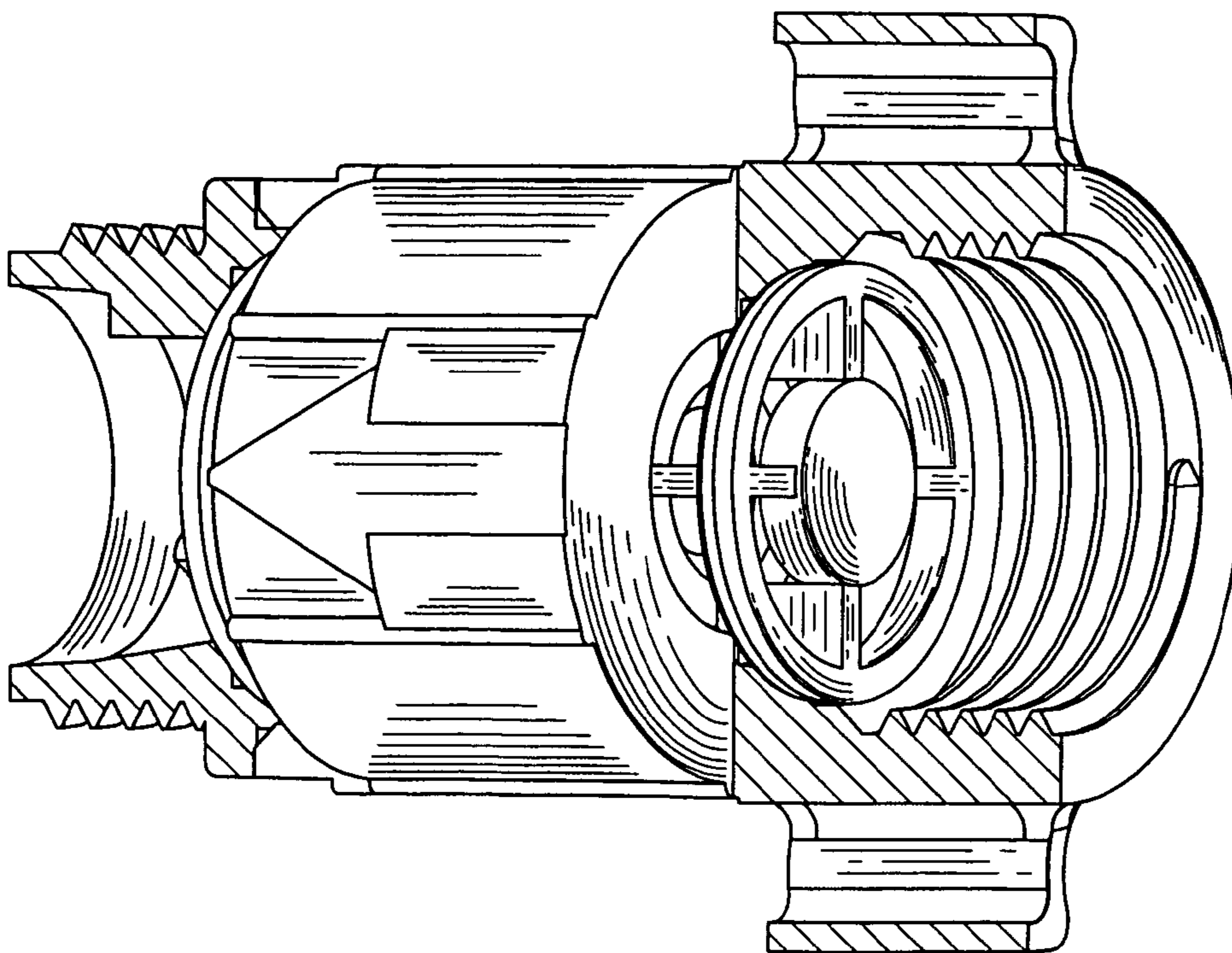


Fig. 9