



US00D549117S

(12) **United States Design Patent**
Snider

(10) **Patent No.:** **US D549,117 S**

(45) **Date of Patent:** **** Aug. 21, 2007**

(54) **LIGHT LINE GENERATING DEVICE**

D517,933 S * 3/2006 Concari D10/70
7,121,010 B2 * 10/2006 Marshall et al. 33/286

(75) Inventor: **Gregory S. Snider**, Bel Air, MD (US)

(73) Assignee: **Black & Decker**, Newark, DE (US)

* cited by examiner

(**) Term: **14 Years**

Primary Examiner—Antoine D. Davis

(21) Appl. No.: **29/249,232**

(74) *Attorney, Agent, or Firm*—Edell, Shapiro & Finnan, LLC

(22) Filed: **Sep. 27, 2006**

(57) **CLAIM**

Related U.S. Application Data

The ornamental design for a light line generating device, as shown and described.

(63) Continuation of application No. 11/535,858, filed on Sep. 27, 2006, which is a continuation-in-part of application No. 11/140,476, filed on May 27, 2005, which is a continuation of application No. 10/277,474, filed on Oct. 22, 2002, now Pat. No. 6,914,930.

DESCRIPTION

(51) **LOC (8) Cl.** **10-04**

FIG. 1 is a front perspective view of a light line generating device according to the present invention;

(52) **U.S. Cl.** **D10/70; D10/66; D10/69**

FIG. 2 is a right side view of the light line generating device of FIG. 1;

(58) **Field of Classification Search** D10/66,

FIG. 3 is a left side view of the light line generating device of FIG. 1;

D10/69, 70; 33/276, 277, 281, 285, 286, 33/290, 291–299, DIG. 21; 340/573.1–573.4, 340/539, 825.36, 825.46, 825.49, 357.02, 340/357.07–357.09; 356/5.15, 4.01, 5.01, 356/5.08, 5.05, 4.05, 5.07, 5.09, 5.12, 28.5, 356/345, 375, 3.01, 5.06, 128–155, 399, 356/400; 385/83, 97, 98, 99, 134–139; 701/211–213; 702/150, 158, 208; 264/1.24–1.25

FIG. 4 is a top view of the light line generating device of FIG. 1;

See application file for complete search history.

FIG. 5 is a bottom view of the light line generating device of FIG. 1;

(56) **References Cited**

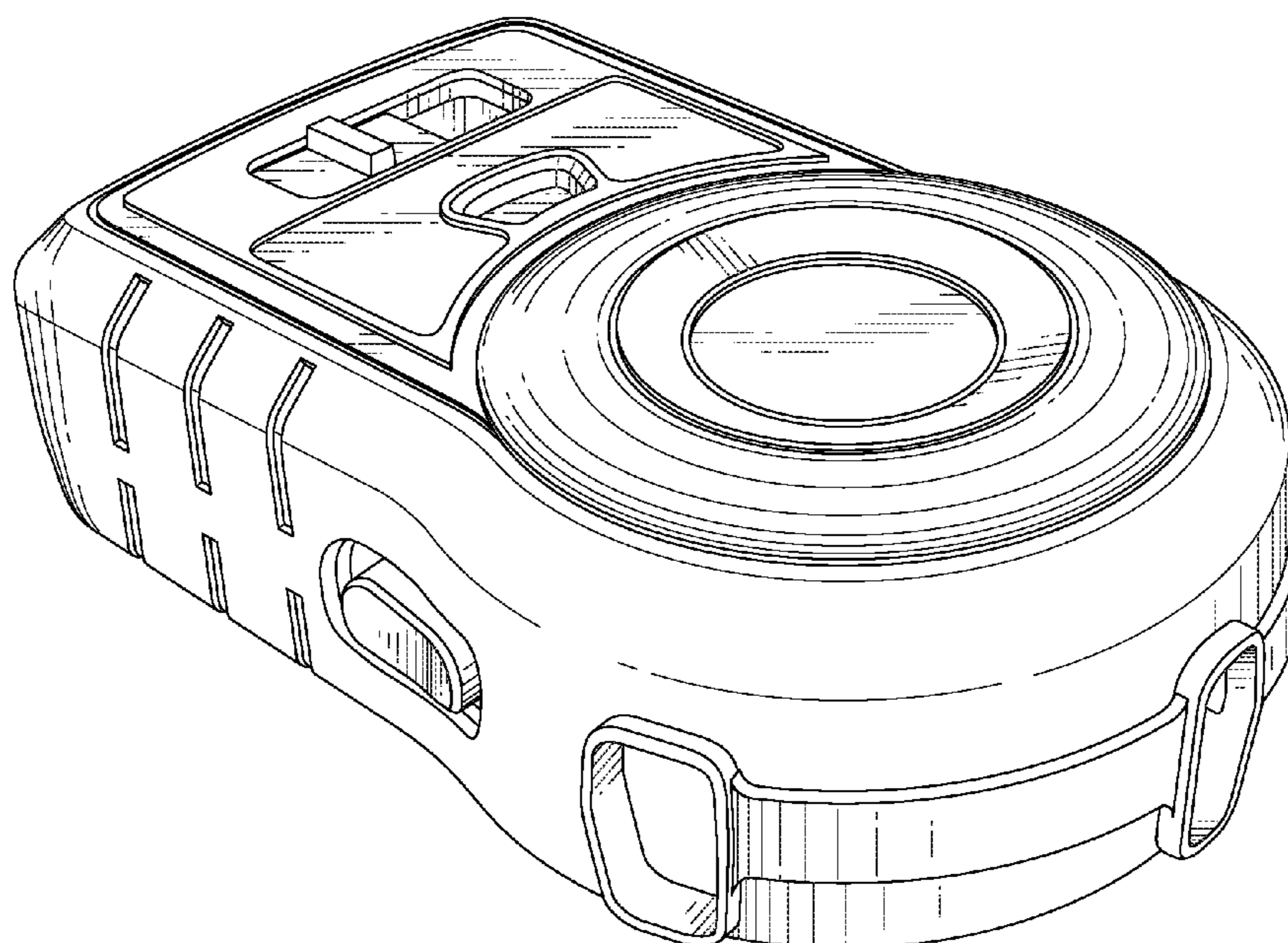
FIG. 6 is a front view in plan of the light line generating device of FIG. 1; and,

U.S. PATENT DOCUMENTS

FIG. 7 is a rear view in plan of the light line generating device of FIG. 1.

D504,340 S * 4/2005 Concari D10/70

1 Claim, 7 Drawing Sheets



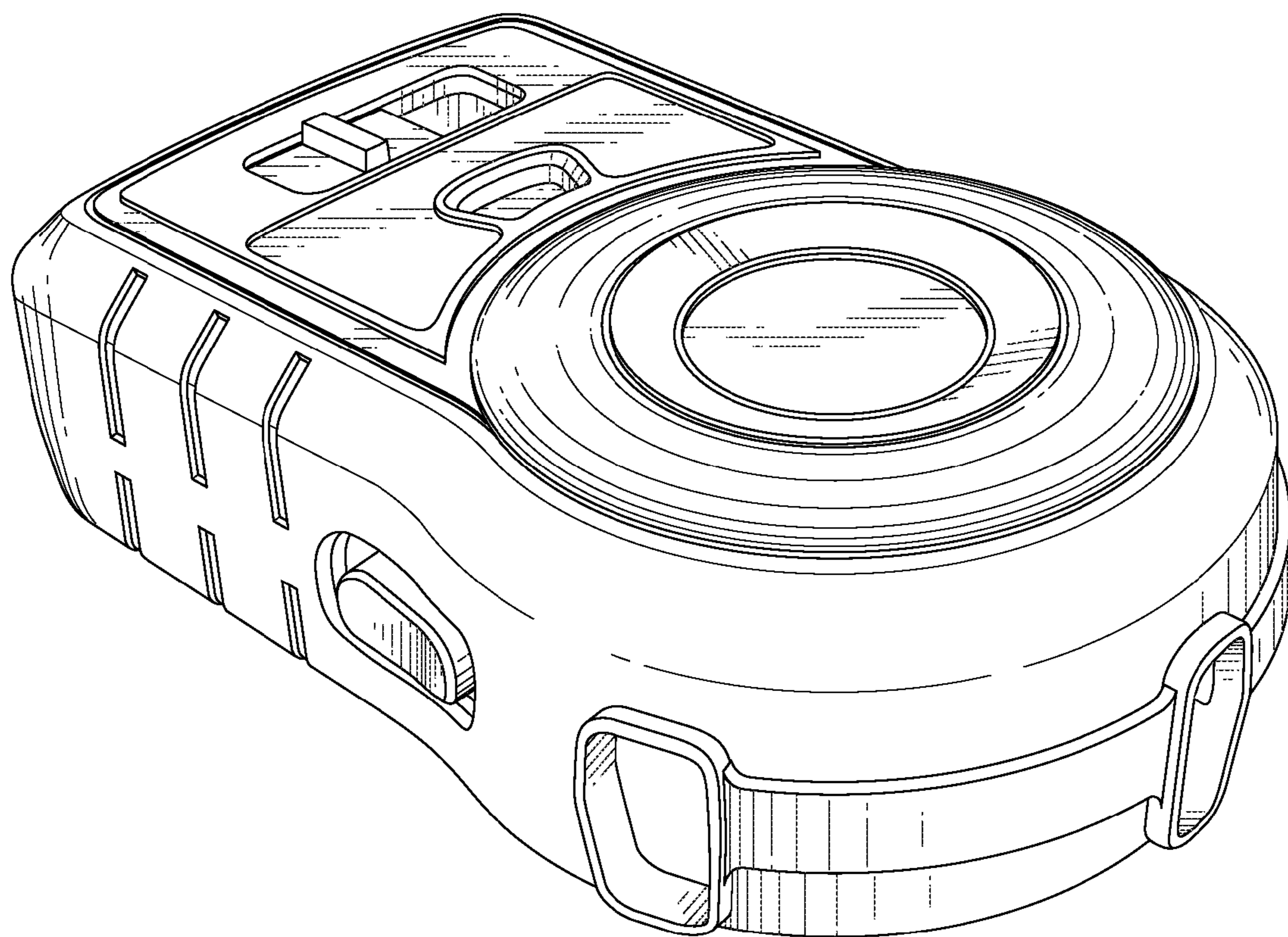


Fig. 1

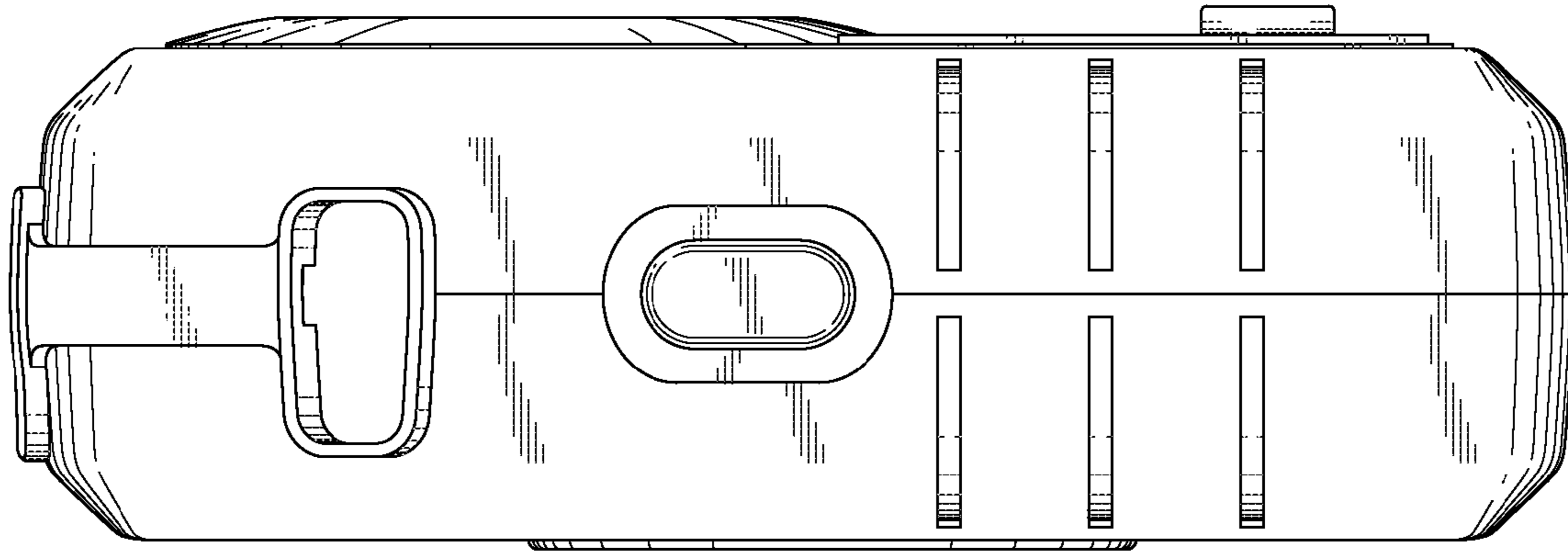


Fig. 2

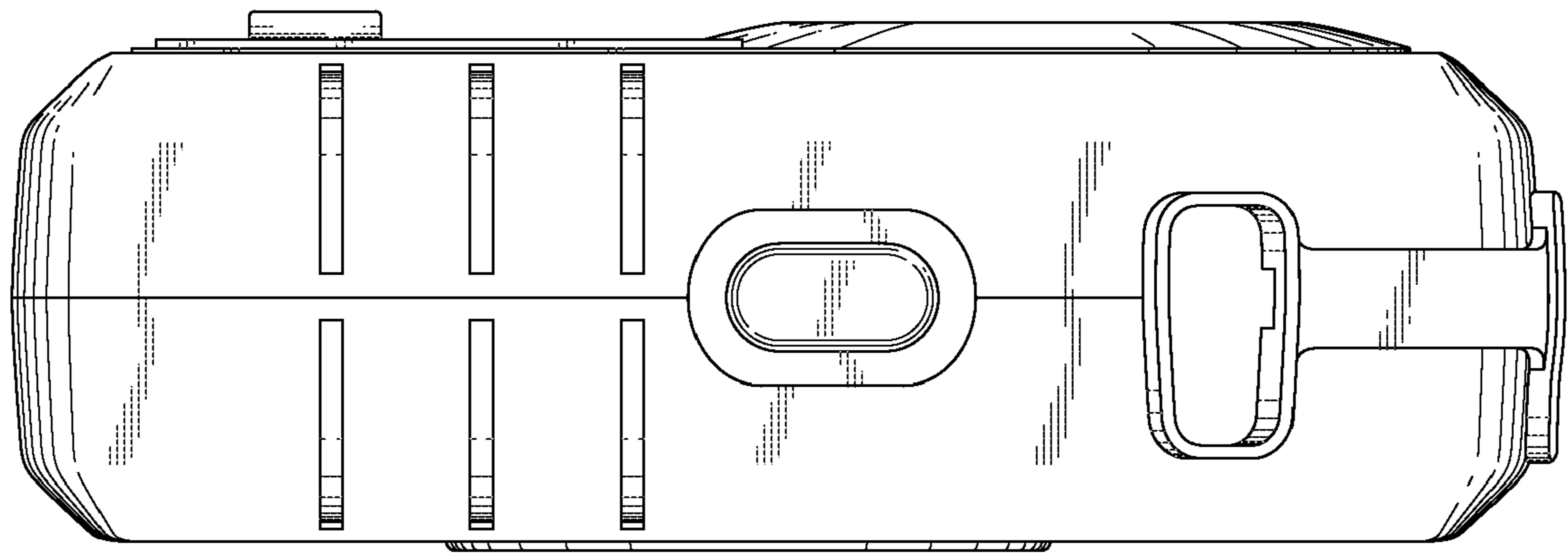


Fig. 3

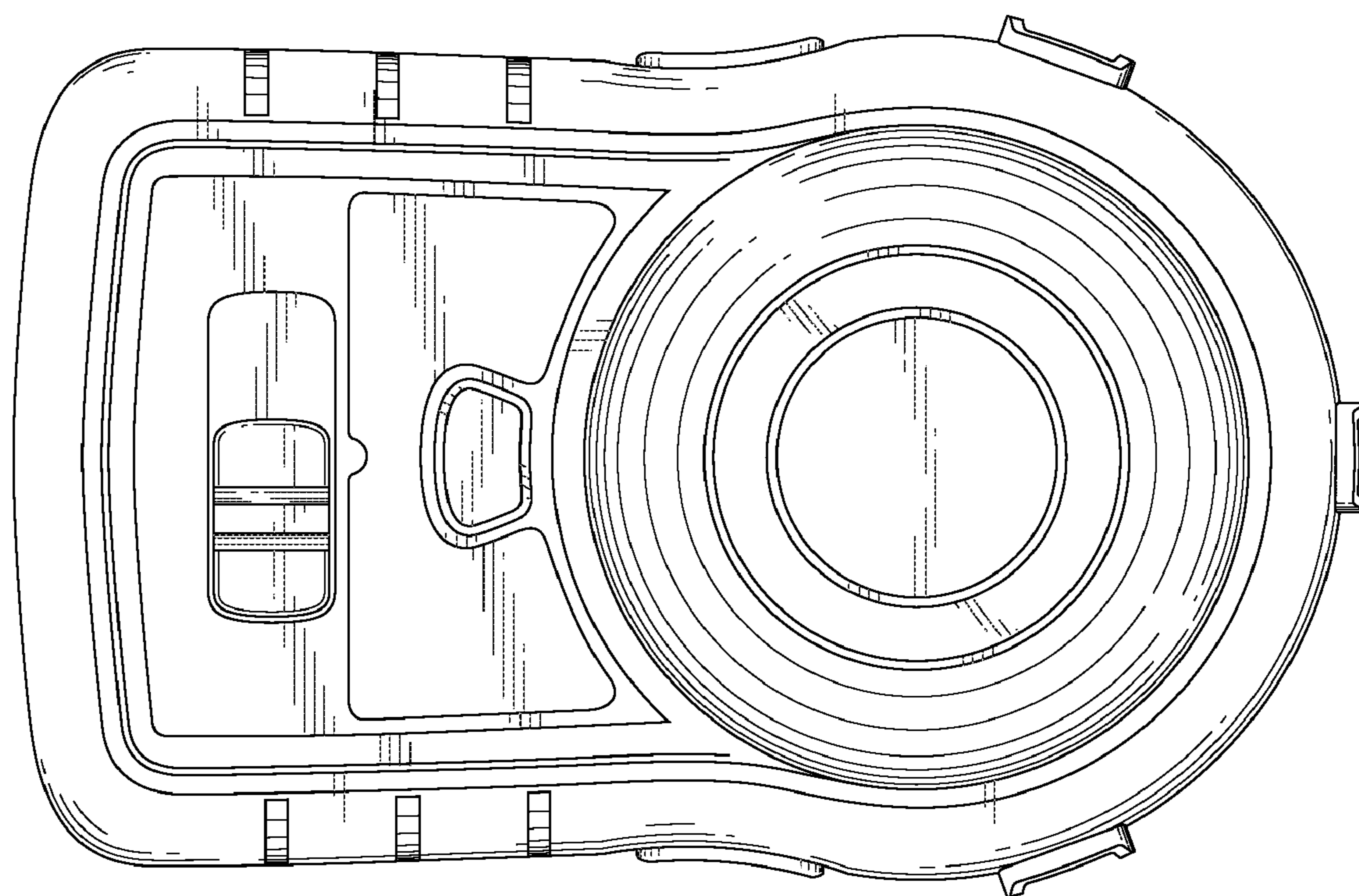


Fig. 4

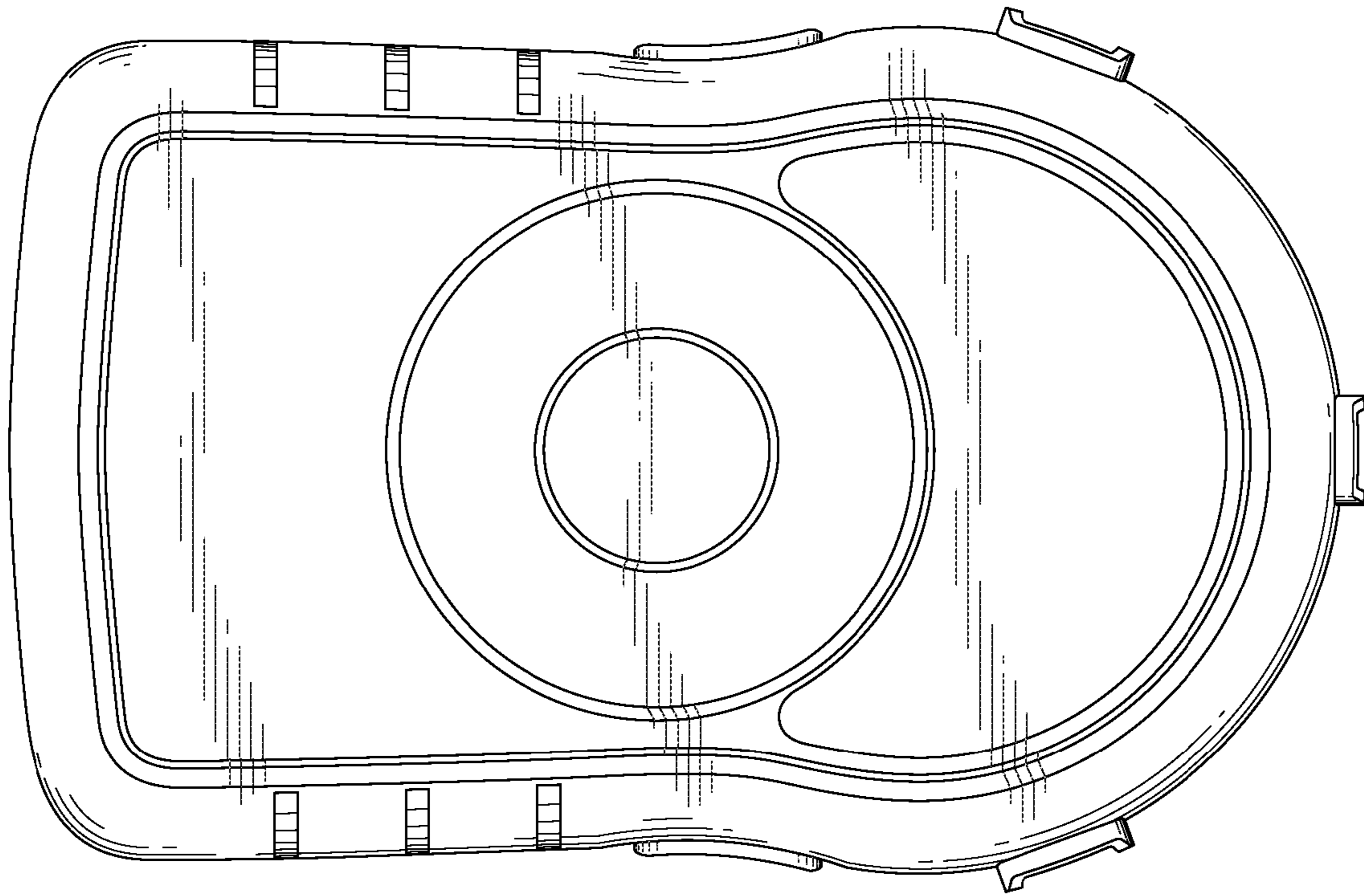


Fig. 5

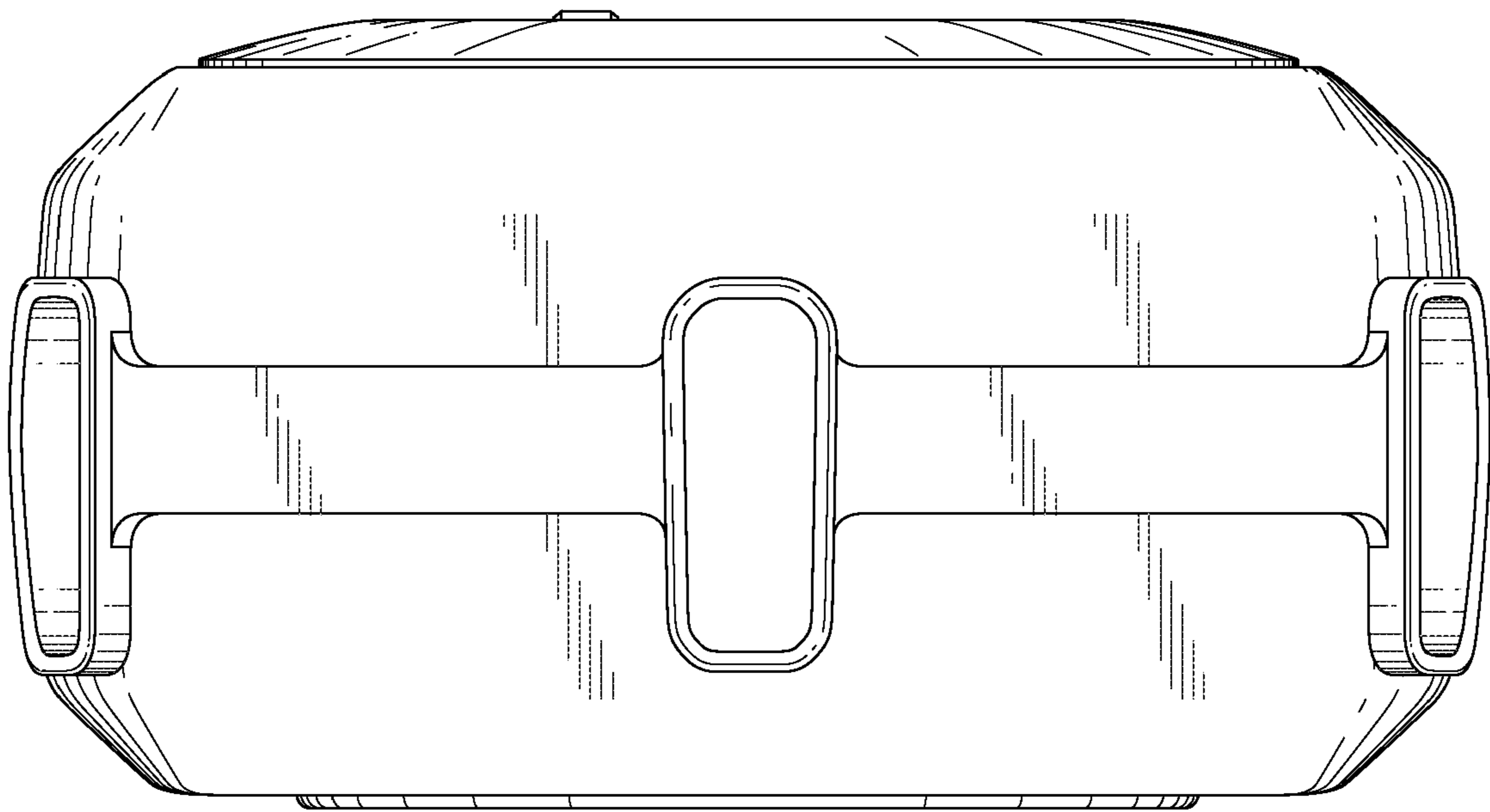


Fig. 6

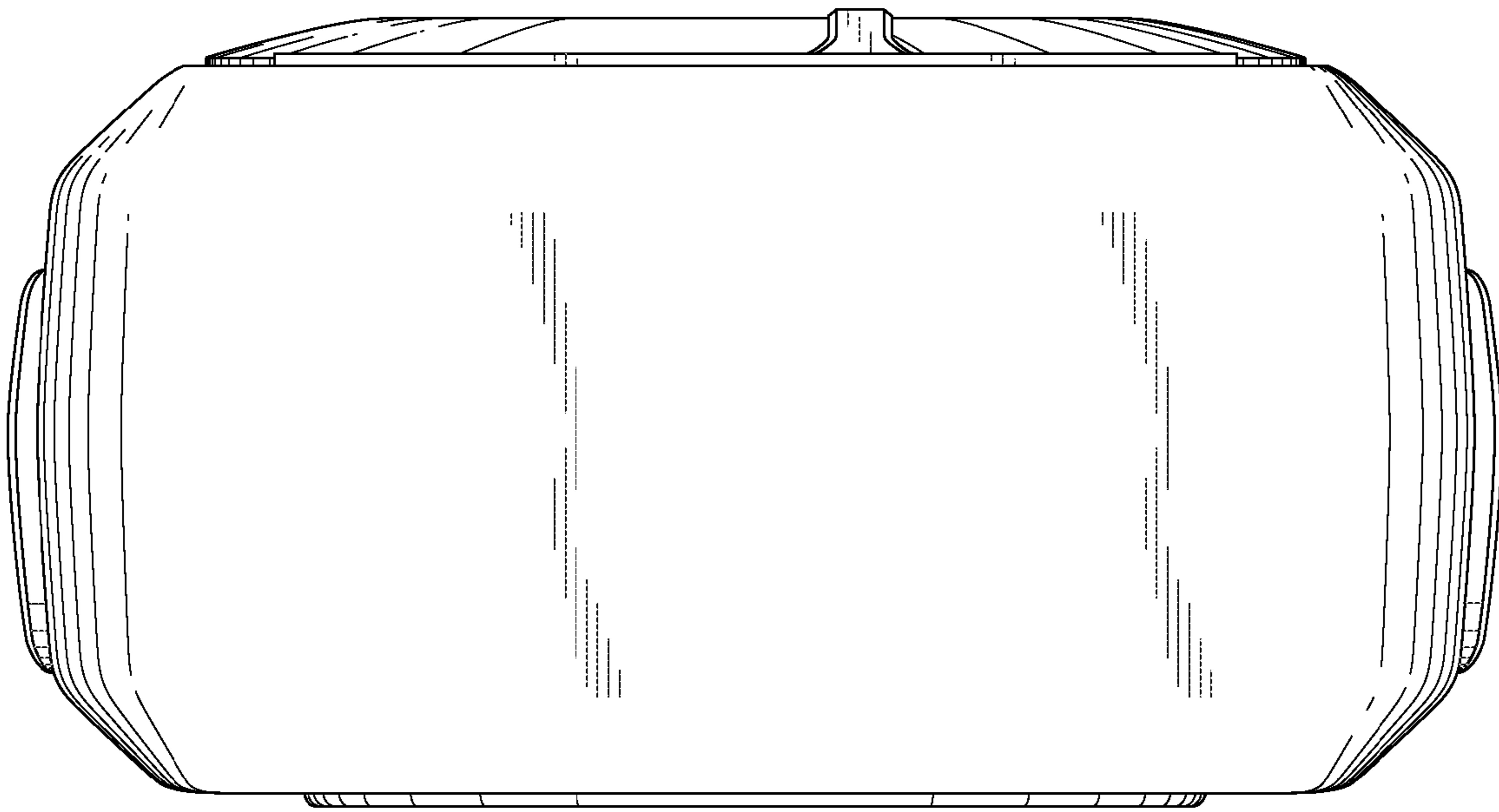


Fig. 7