



US00D549116S

(12) **United States Design Patent** (10) **Patent No.:** **US D549,116 S**
Rhine et al. (45) **Date of Patent:** **** Aug. 21, 2007**

(54) **CDMA WIRELESS UNTETHERED TRAILER TRACKING TERMINAL**

(75) Inventors: **Jeffrey Jay Rhine**, Poway, CA (US); **Charles Pedersen**, San Diego, CA (US); **David C. Stillinger**, Cardiff by the Sea, CA (US); **John Phillip Oeth**, Cardiff by the Sea, CA (US); **Kip Leggett**, Chula Vista, CA (US); **Kenneth H. Oertle**, San Diego, CA (US)

(73) Assignee: **QUALCOMM Incorporated**, San Diego, CA (US)

(**) Term: **14 Years**

(21) Appl. No.: **29/239,517**

(22) Filed: **Sep. 30, 2005**

(51) **LOC (8) Cl.** **10-04**

(52) **U.S. Cl.** **D10/65**

(58) **Field of Classification Search** D10/65,
D10/74; 340/539.1, 539.13, 541, 522, 426.28,
340/568.2, 426.1, 825.36, 539.14, 539.4;
348/143, 152

See application file for complete search history.

(56) **References Cited**

U.S. PATENT DOCUMENTS

5,289,163	A *	2/1994	Perez et al.	340/539.32
D416,502	S *	11/1999	Autry et al.	D10/65
D478,070	S *	8/2003	Nagai et al.	D10/65
D524,665	S *	7/2006	Taisto	D10/65

* cited by examiner

Primary Examiner—Antoine D. Davis

(74) *Attorney, Agent, or Firm*—QUALCOMM Incorporated; Thomas Rouse; Richard Bachand

(57) **CLAIM**

The ornamental design for the CDMA wireless untethered trailer tracking terminal, as shown and described.

DESCRIPTION

FIG. 1 is a top perspective view of the Invention showing the new design;

FIG. 2 is a bottom perspective view of the Invention shown in FIG. 1;

FIG. 3 is a front plan view of the Invention shown in FIG. 1;

FIG. 4 is a rear plan view of the Invention shown in FIG. 1;

FIG. 5 is a right side plan view of the Invention shown in FIG. 1;

FIG. 6 is a left side plan view of the Invention shown in FIG. 1;

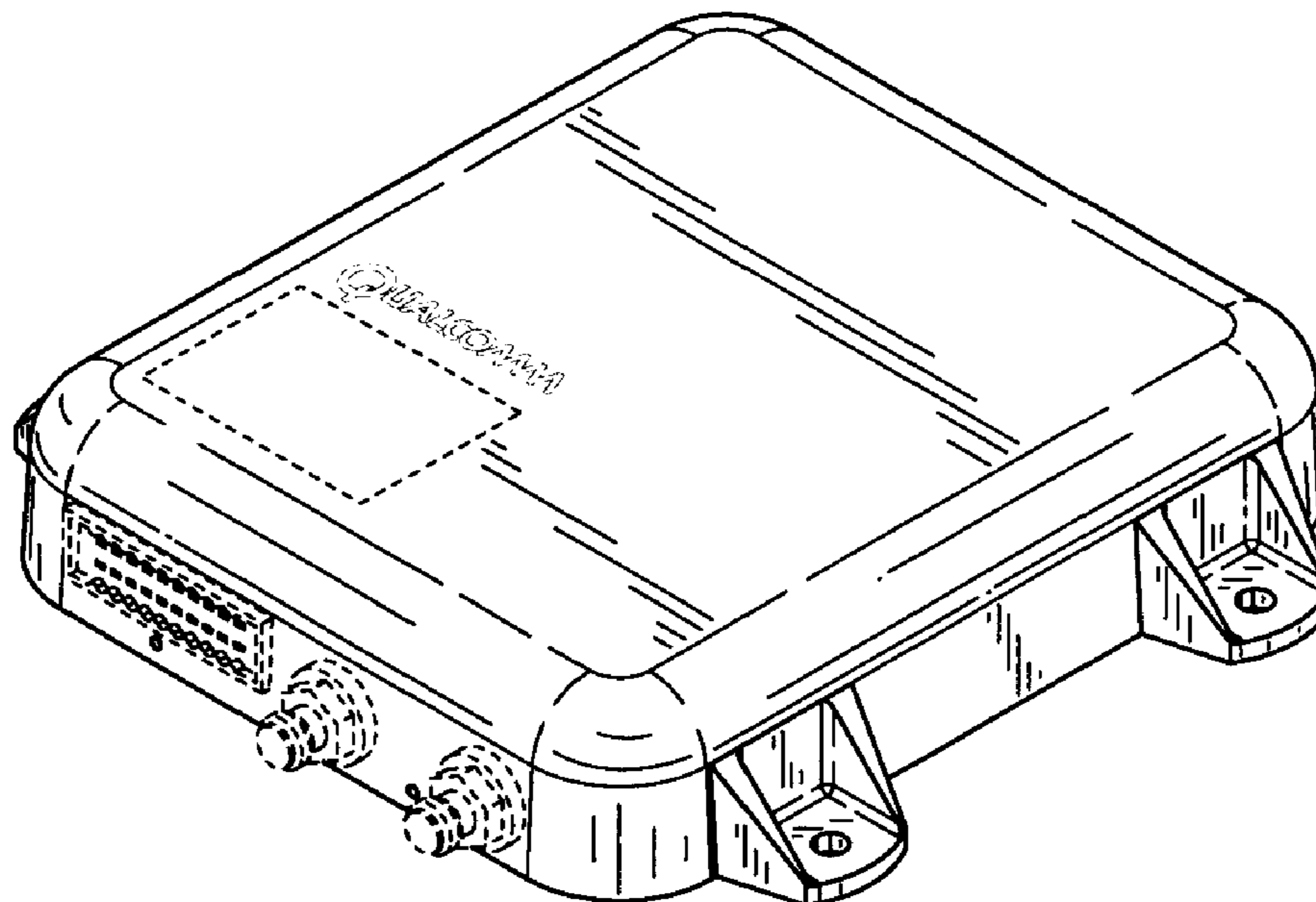
FIG. 7 is a top plan view of the Invention shown in FIG. 1; and,

FIG. 8 is a bottom plan view of the Invention shown in FIG. 1.

Features shown by broken lines are for illustrative purposes only, and are not claimed as part of the invention.

Any stippling shown on the drawing figures is for shading purposes, and does not form a part of the invention.

1 Claim, 4 Drawing Sheets



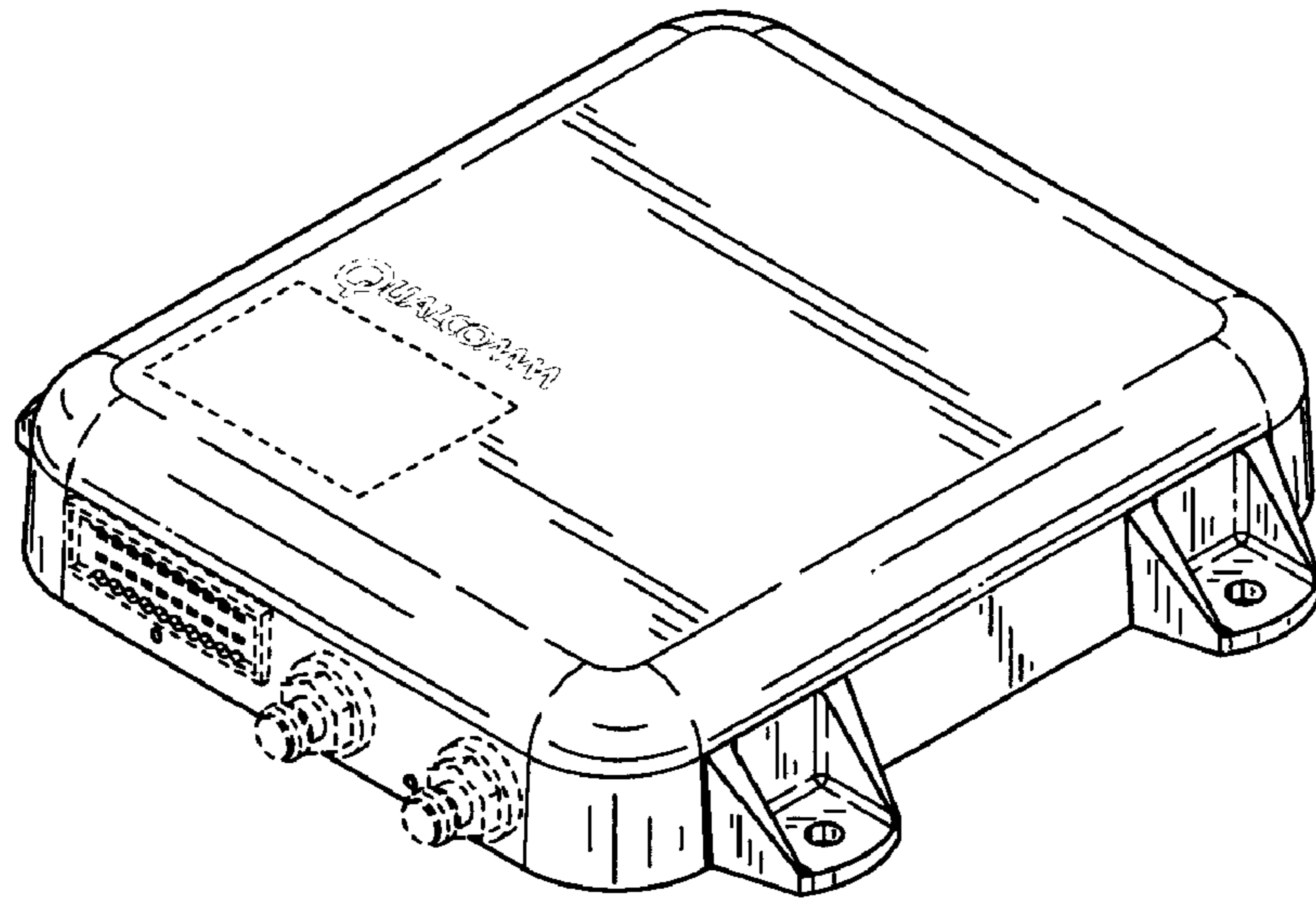


FIG.1

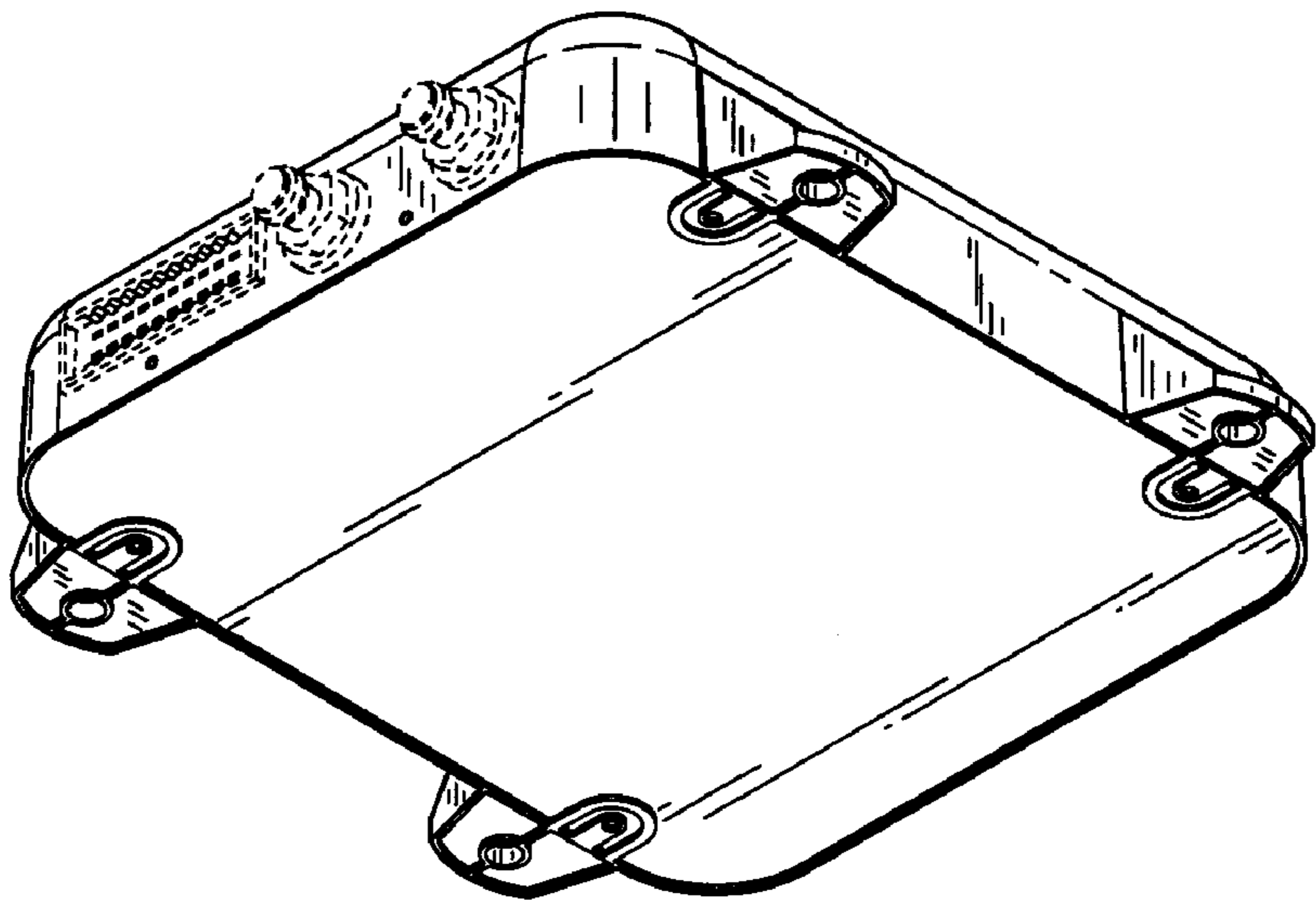


FIG.2

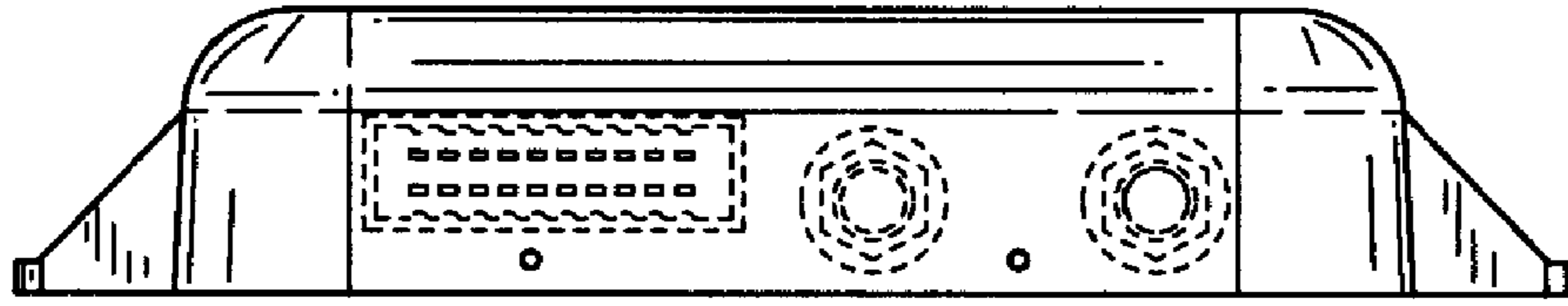


FIG.3

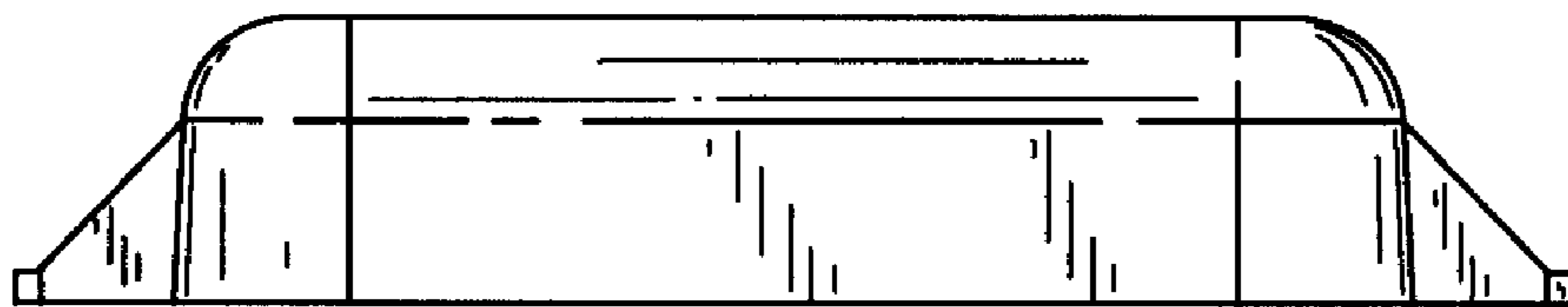


FIG.4



FIG.5

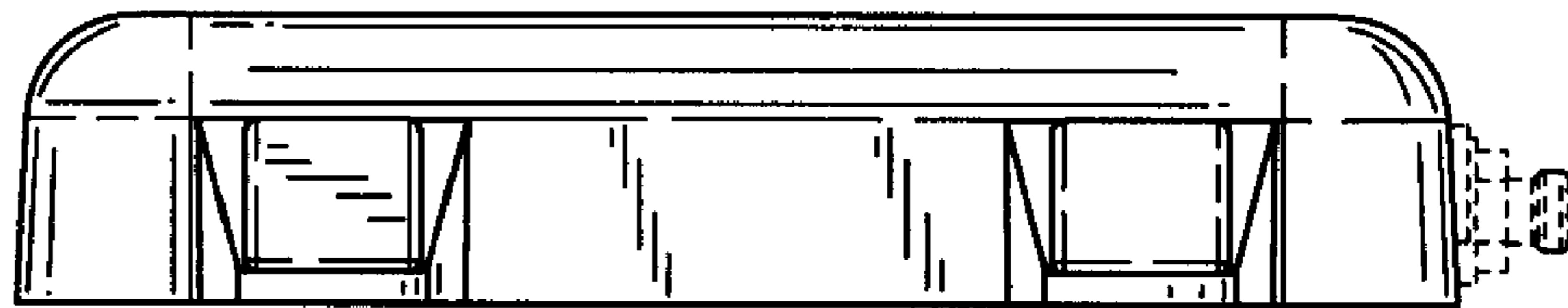


FIG.6

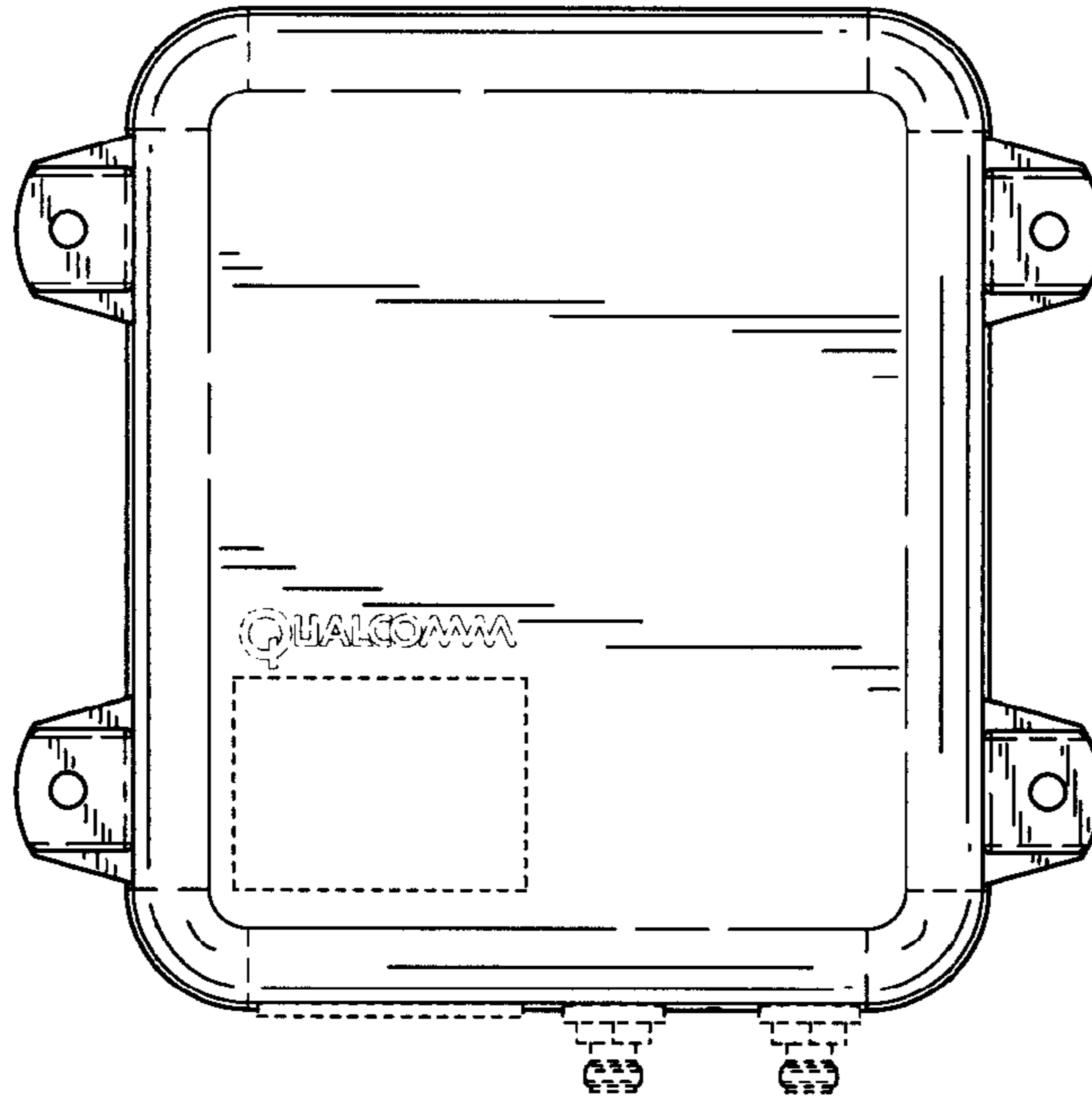


FIG.7

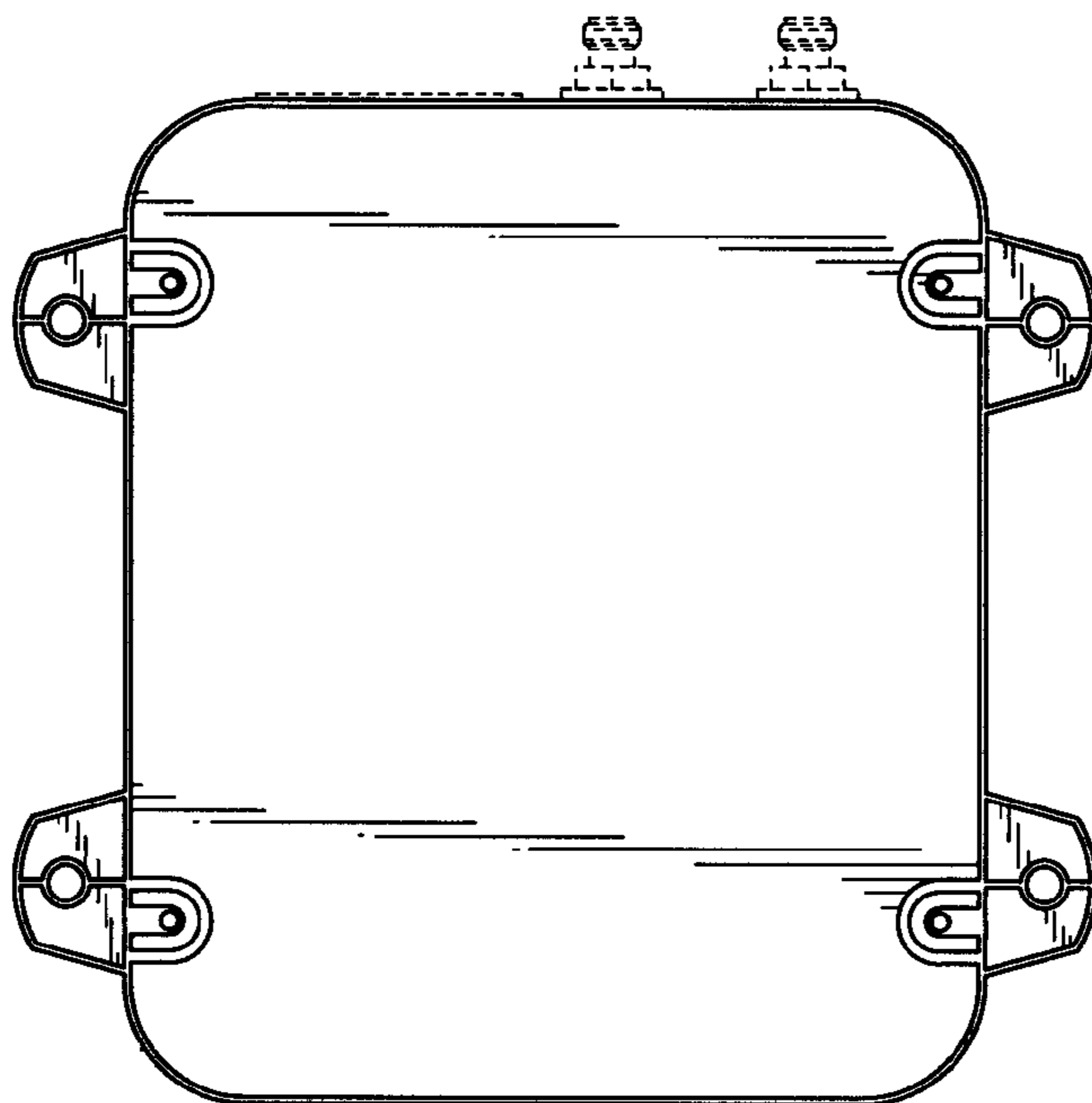


FIG.8