

US00D549100S

(12) **United States Design Patent** (10) **Patent No.:** **US D549,100 S**
Bonaldes et al. (45) **Date of Patent:** **** Aug. 21, 2007**

(54) **BOTTLE**

(75) Inventors: **Cristina E. Bonaldes**, Union, NJ (US);
Charles D. Denton, Columbia, PA
(US); **Heath A. Doty**, St. Louis, MO
(US); **Bryan Holmes**, Maplewood, NJ
(US); **Marc Hunter**, Clayton, MO
(US); **Victoria Noble**, Mahwah, NJ
(US); **Randal D. Porter**, Norcross, GA
(US); **Kim Sines**, Glen Ridge, NJ (US);
John E. Smethers, Summit, NJ (US);
Russell Wright, Warwick, NY (US)

4,804,097 A * 2/1989 Alberghini et al. 215/384
4,890,752 A * 1/1990 Ota et al. 215/384
D390,114 S * 2/1998 Young D9/520
D420,587 S * 2/2000 Cheng et al. D9/434
D429,152 S * 8/2000 Lane D9/434
D431,470 S * 10/2000 Henderson D9/520
D449,538 S * 10/2001 Burleson et al. D9/530
D470,058 S * 2/2003 Bryant et al. D9/572
D472,814 S * 4/2003 Wright D9/530
D472,816 S * 4/2003 Wright D9/543
2004/0164046 A1 * 8/2004 Kelley 215/382

* cited by examiner

(73) Assignee: **Warner-Lambert Company LLC**,
Morris Plains, NJ (US)

Primary Examiner—Carol Rademaker

(**) Term: **14 Years**

(74) *Attorney, Agent, or Firm*—Kenneth G. Lemke; Evan J.
Federman

(21) Appl. No.: **29/187,276**

(57) **CLAIM**

(22) Filed: **Jul. 30, 2003**

The ornamental design for a bottle, as shown and described.

(51) **LOC (8) Cl.** **09-01**

DESCRIPTION

(52) **U.S. Cl.** **D9/516; D9/541**

(58) **Field of Classification Search** D9/516,
D9/523, 527–531, 537–543, 560–561, 563–564,
D9/570–572, 574–575; 215/381–385, 396,
215/398, 400; 222/206, 212–213

FIG. 1 is a top, front, and right side perspective view of the
bottle;

FIG. 2 is a front elevational view of the bottle; and,

FIG. 3 is a right side elevational view of the bottle.

See application file for complete search history.

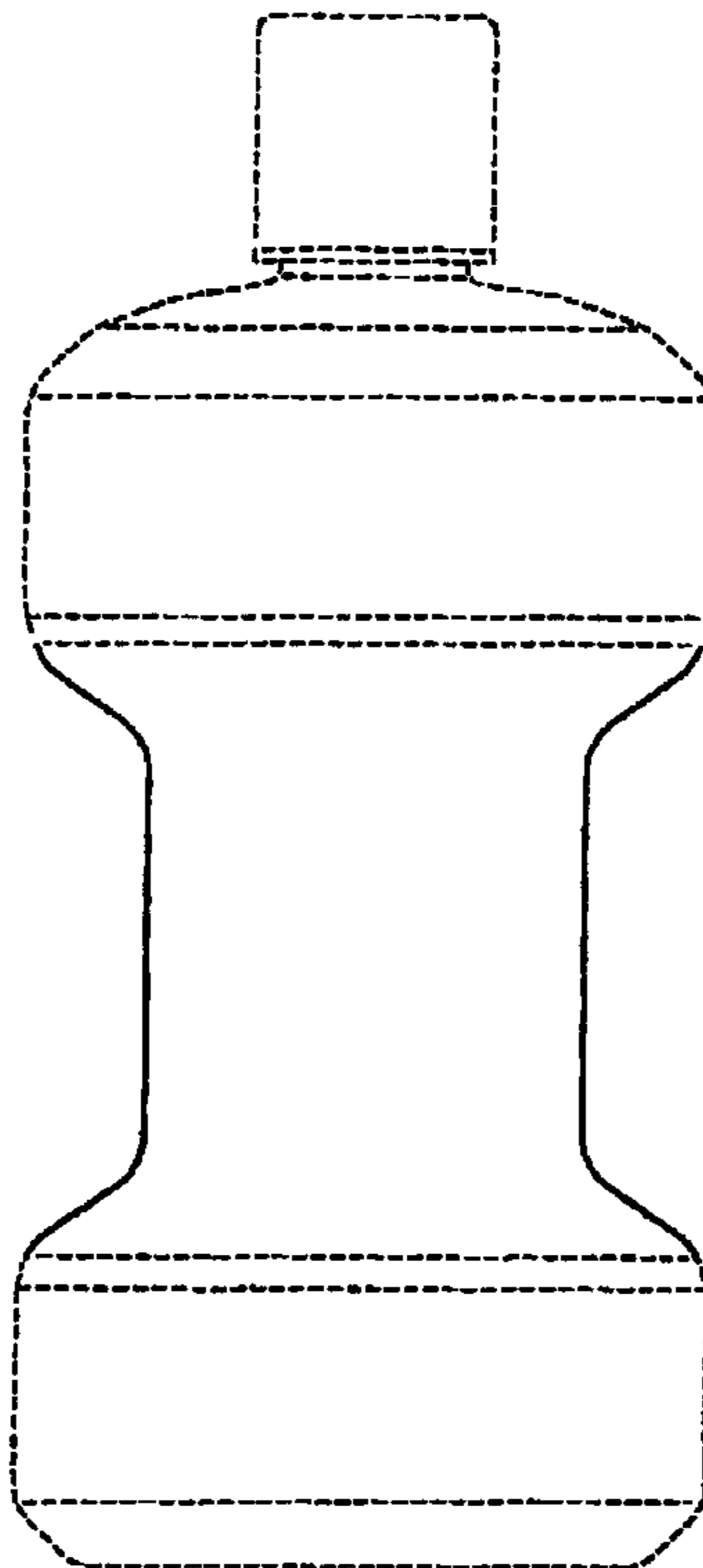
The broken line showing on FIGS. 1–3 are for illustrative
purposes only and form no part of the claimed design.

(56) **References Cited**

U.S. PATENT DOCUMENTS

D198,404 S * 6/1964 Busch D9/522

1 Claim, 3 Drawing Sheets



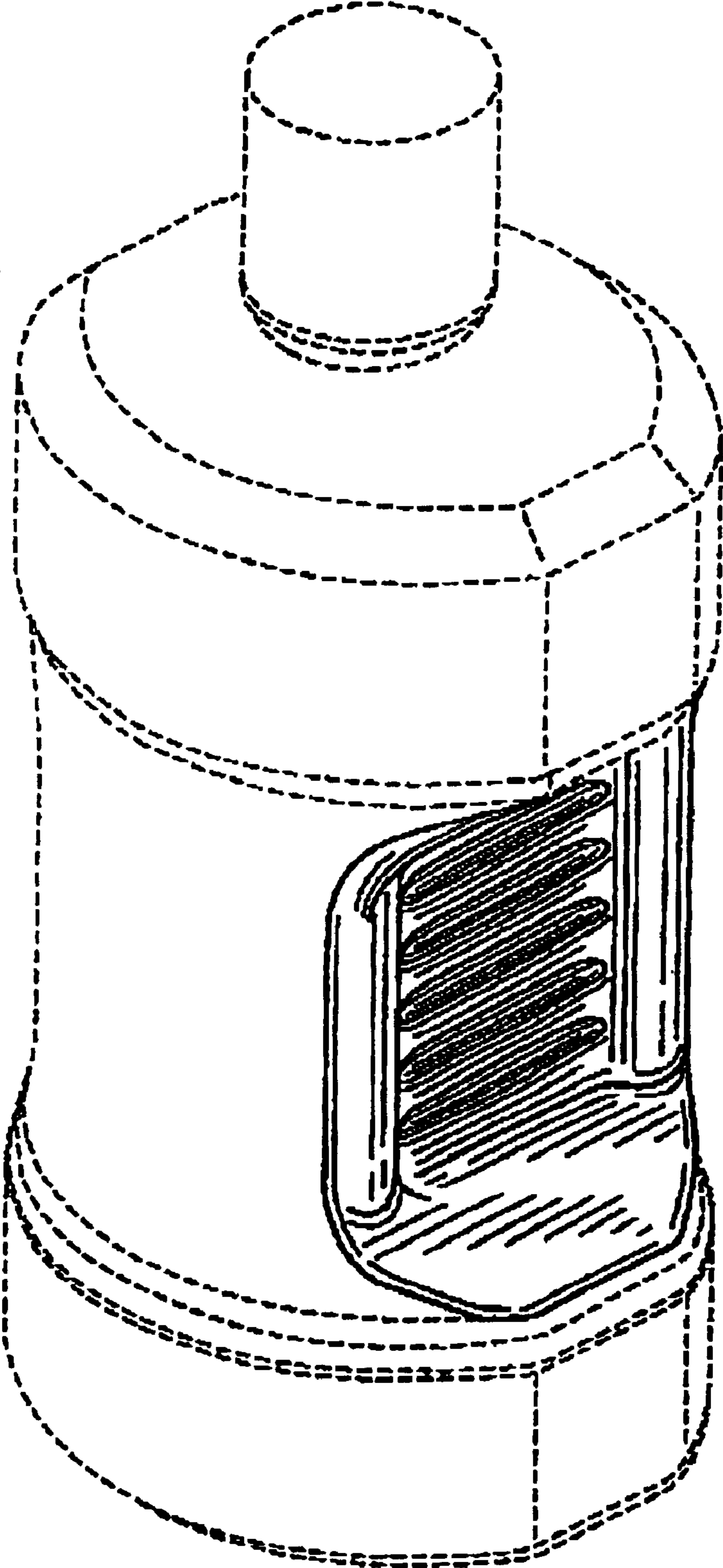


FIG. 1

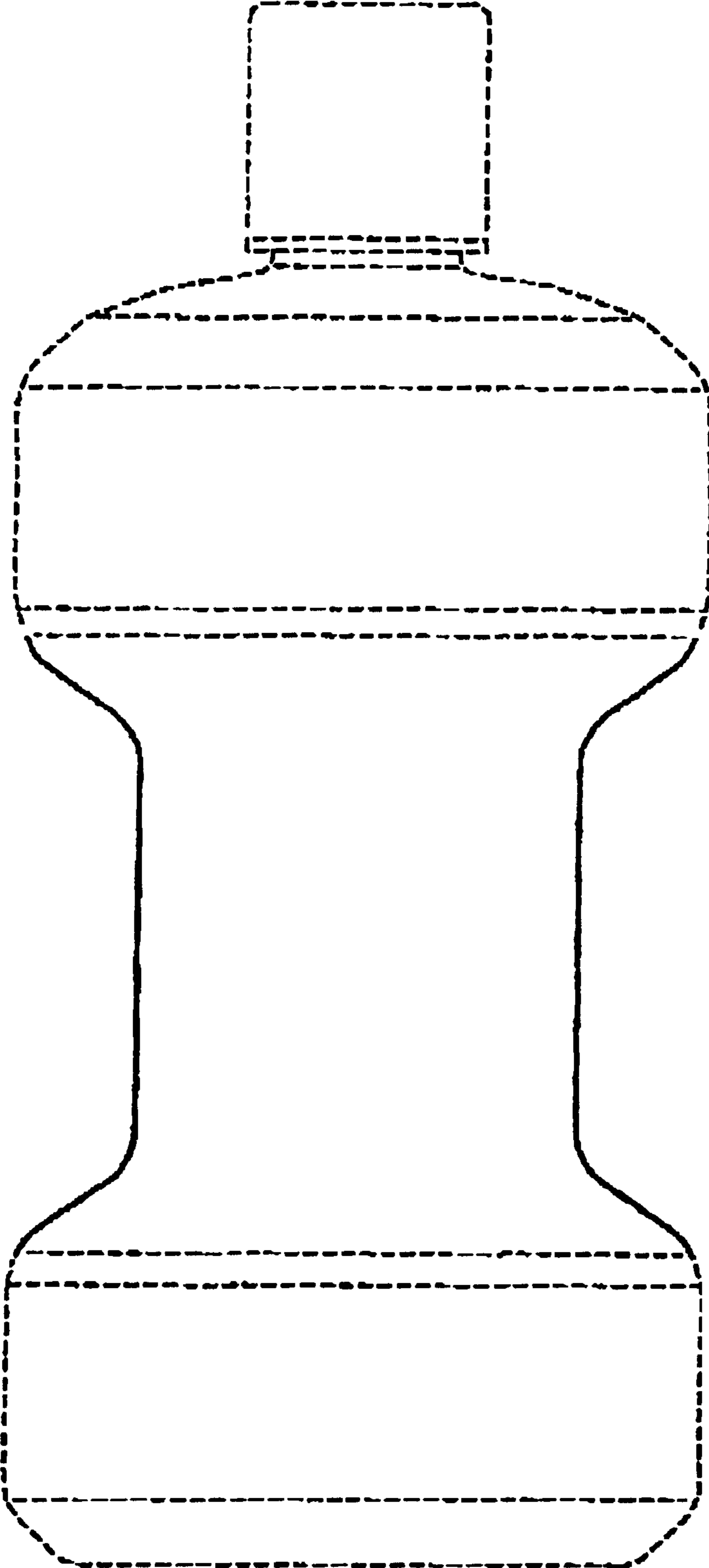


FIG. 2

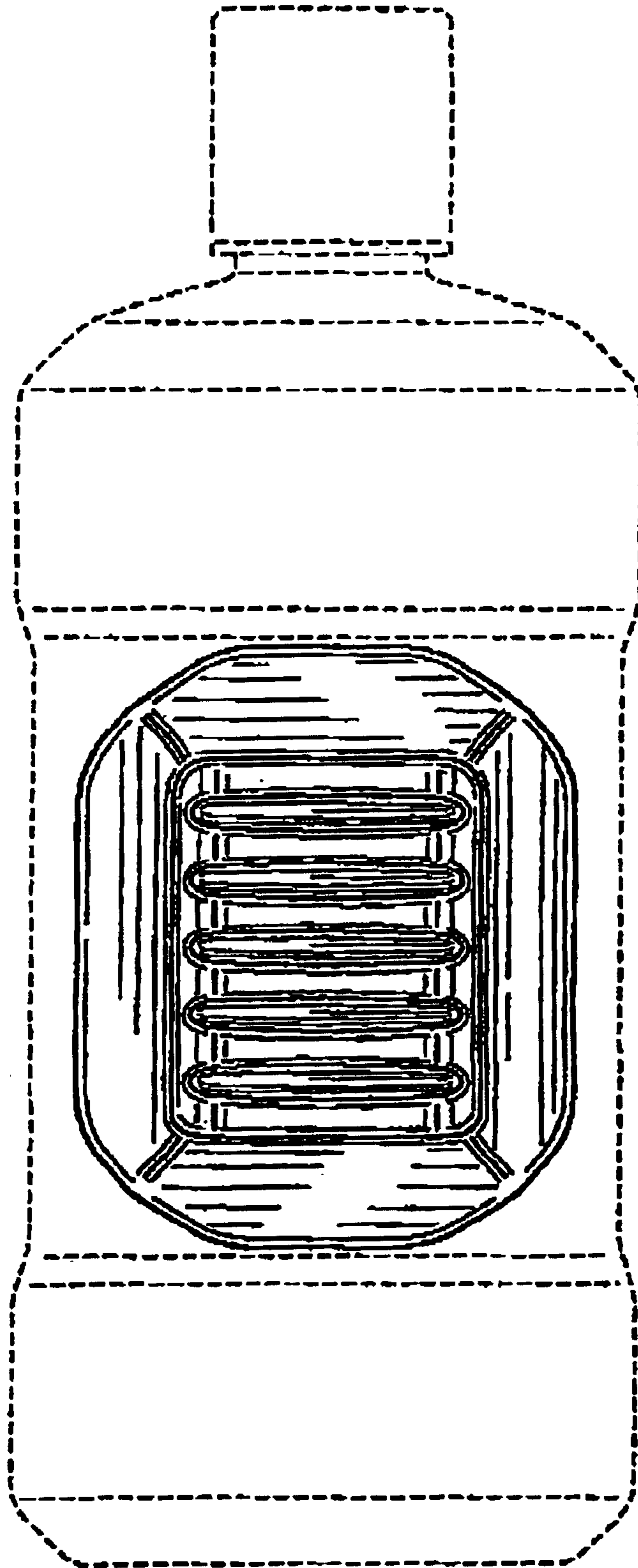


FIG. 3