

US00D549096S

(12) **United States Design Patent**  
**Ayats et al.**

(10) **Patent No.:** **US D549,096 S**

(45) **Date of Patent:** **\*\* Aug. 21, 2007**

(54) **BOX**

(75) Inventors: **Francesc Ayats**, Barcelona (ES); **Fabio Corradini**, Mira (IT); **Peter Drinka**, Ladenburg (DE); **Pawel Rudzinski**, Warsaw (PL); **Susanne Wallraff**, Mannheim (DE)

(73) Assignee: **Reckitt Benckiser N.V.**, Hoofddorp (NL)

(\*\*) Term: **14 Years**

(21) Appl. No.: **29/238,753**

(22) Filed: **Sep. 20, 2005**

(30) **Foreign Application Priority Data**

Mar. 23, 2005 (EM) ..... 000316120-0001/0002

(51) **LOC (8) Cl.** ..... **09-03**

(52) **U.S. Cl.** ..... **D9/430; D9/423**

(58) **Field of Classification Search** ..... D9/414, D9/420, 422, 423, 430-432; D27/186, 172, D27/183, 189, 191; 229/160.1, 160.2, 145-147, 229/171, 193; 206/242, 265, 266, 268, 800; 220/669

See application file for complete search history.

(56) **References Cited**

**U.S. PATENT DOCUMENTS**

- D183,717 S \* 10/1958 Casler ..... D9/432
- D194,246 S \* 12/1962 Engelmann ..... D9/420
- D211,564 S \* 7/1968 Bailey ..... D9/433
- 3,608,812 A \* 9/1971 Hamilton ..... 229/145
- D244,993 S \* 7/1977 Drysdale ..... D9/432

- 4,048,052 A \* 9/1977 Tolaas ..... 229/224
- 4,284,197 A \* 8/1981 Meyers ..... 229/228
- 4,313,556 A \* 2/1982 Boyle et al. .... 229/116.1
- 4,314,643 A \* 2/1982 Forbes, Jr. .... 229/212
- D279,507 S \* 7/1985 Schechter et al. .... D27/189
- 5,277,304 A \* 1/1994 Brizzi et al. .... 206/256
- D355,275 S \* 2/1995 Focke ..... D27/189
- D394,383 S \* 5/1998 Bradfield ..... D9/416
- D394,385 S \* 5/1998 Laughlin ..... D9/431
- D460,355 S \* 7/2002 Lenz et al. .... D9/431
- D461,122 S \* 8/2002 Bryan et al. .... D9/423
- D468,638 S \* 1/2003 Nogami et al. .... D9/430
- D503,827 S \* 4/2005 Cahill et al. .... D27/189

\* cited by examiner

*Primary Examiner*—Stella Reid

*Assistant Examiner*—Mark Goodwin

(74) *Attorney, Agent, or Firm*—Norris McLaughlin & Marcus, P.A.

(57) **CLAIM**

The ornamental design for box, as shown and described.

**DESCRIPTION**

FIG. 1 is a top front side perspective view of the box showing our new design.

FIG. 2 is a front view thereof.

FIG. 3 is a back view thereof.

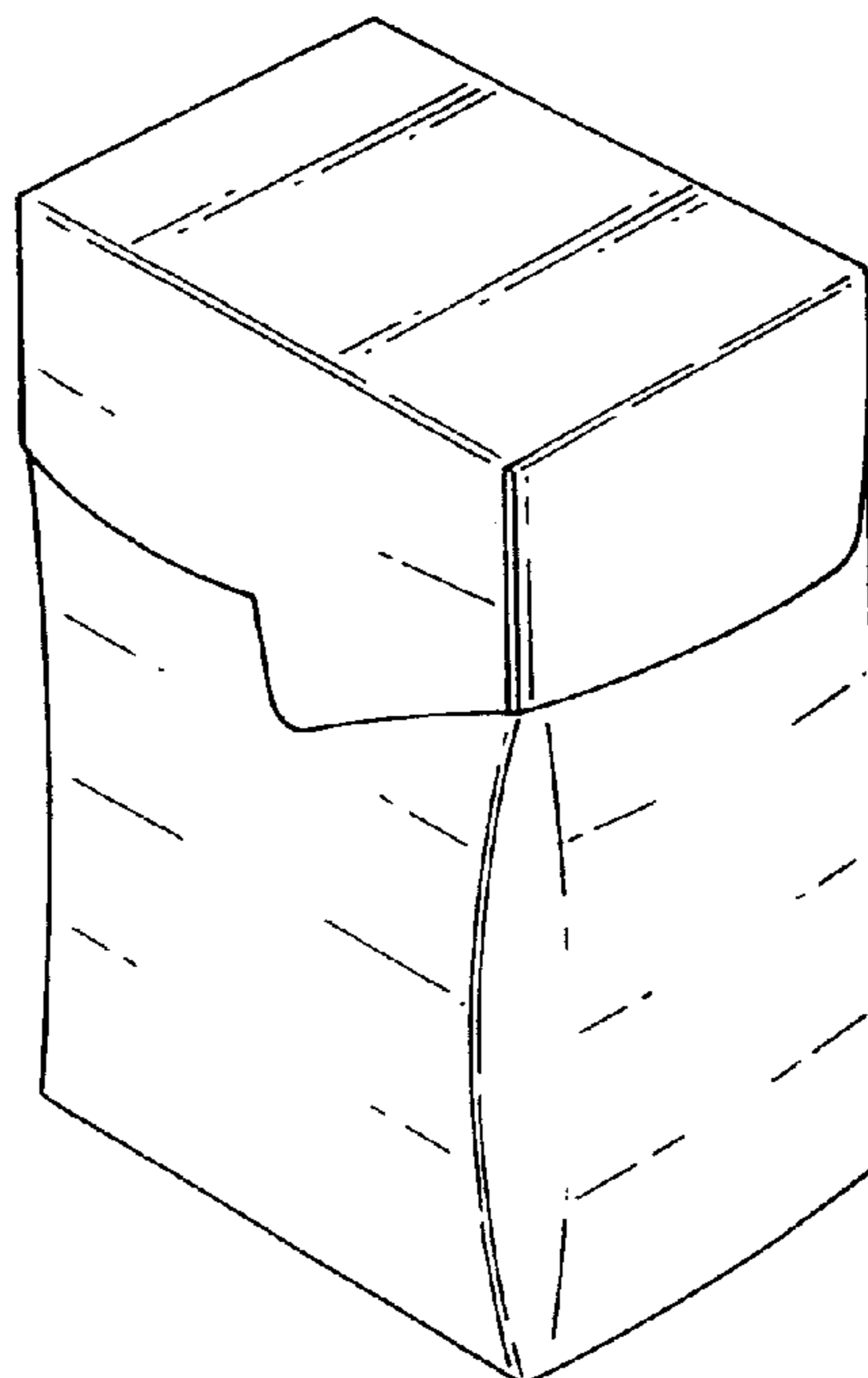
FIG. 4 is a side view thereof.

FIG. 5 is an opposite side view thereof.

FIG. 6 is a top plan view thereof; and,

FIG. 7 is a bottom plan view thereof.

**1 Claim, 2 Drawing Sheets**



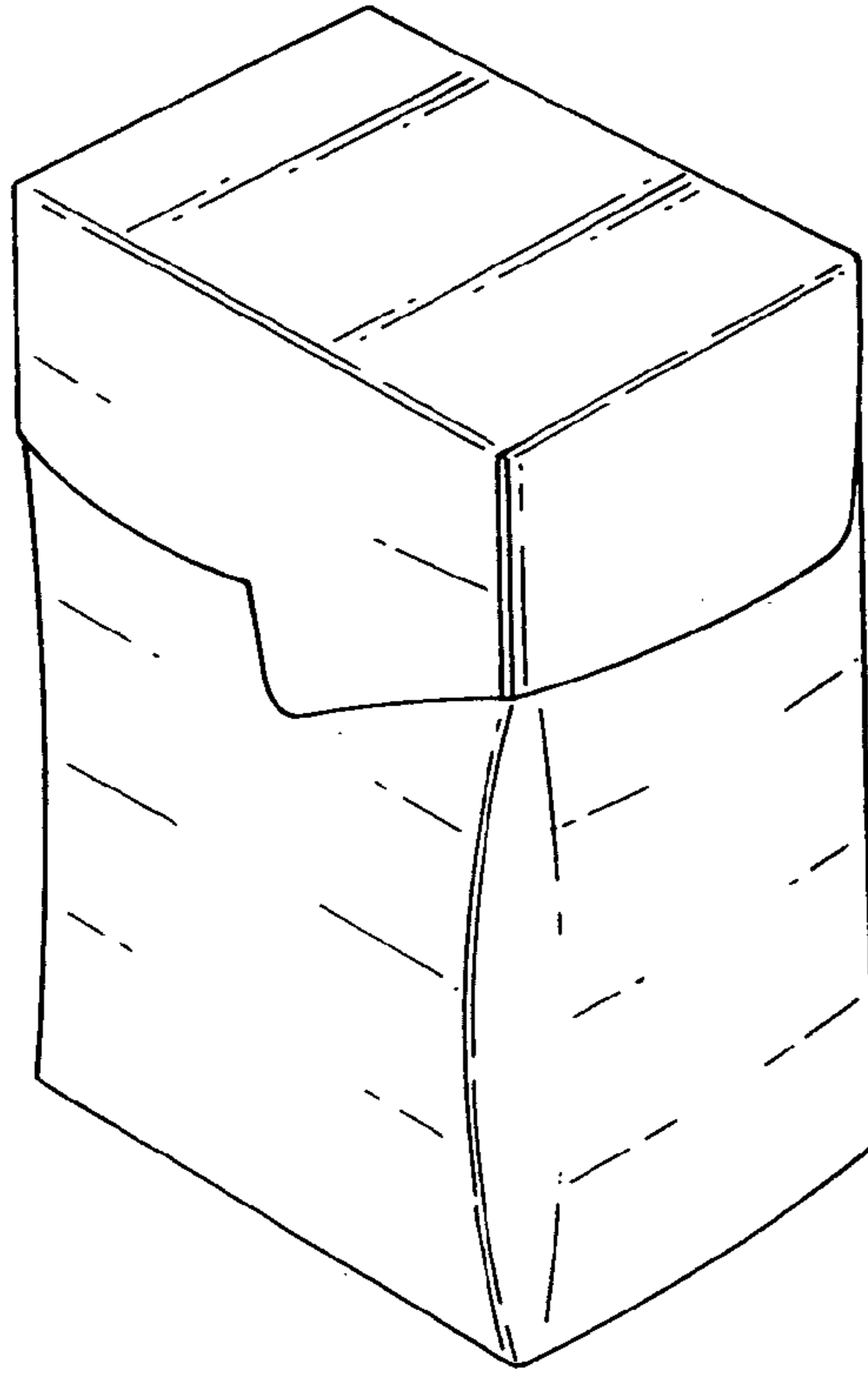


Fig. 1.

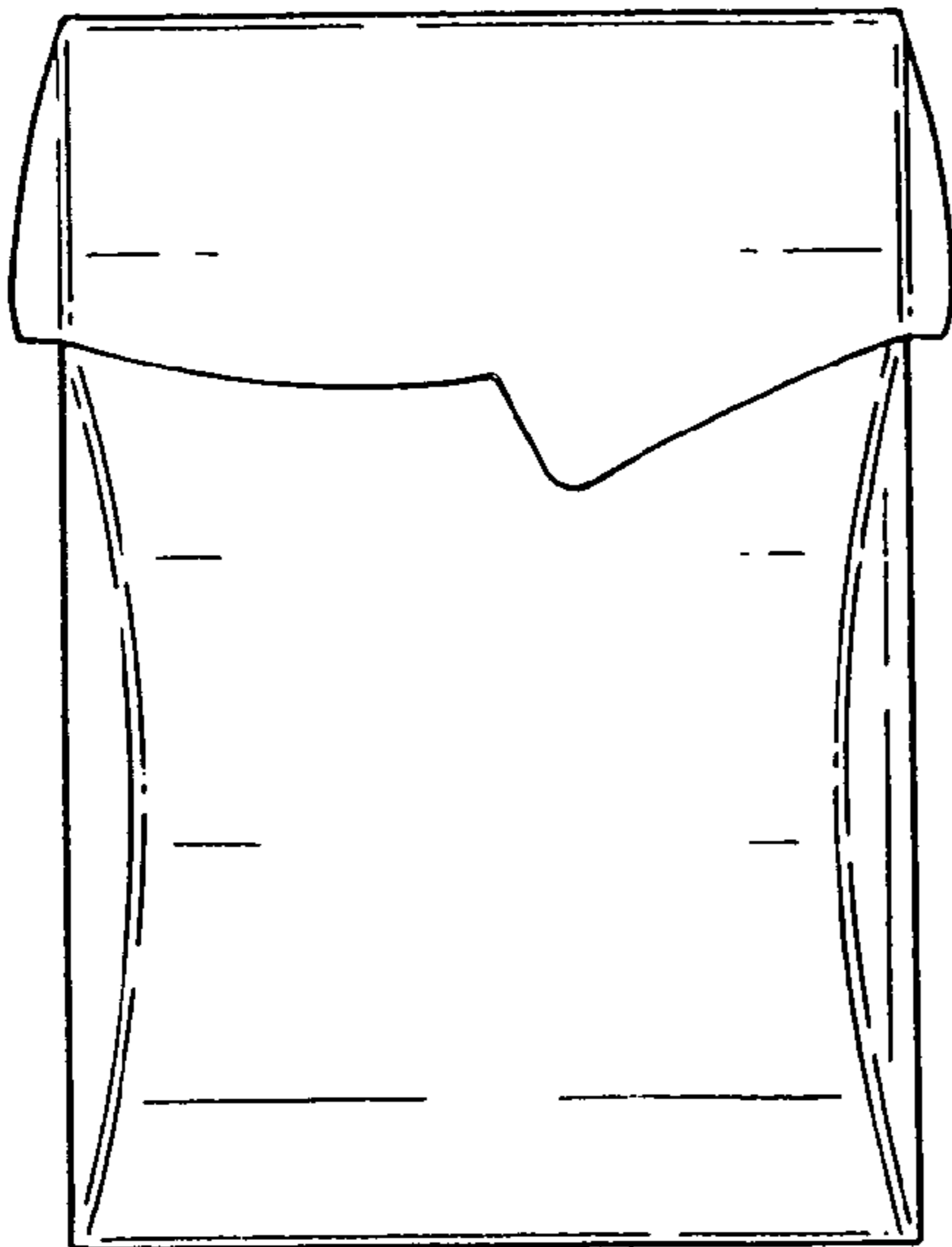


Fig. 2.

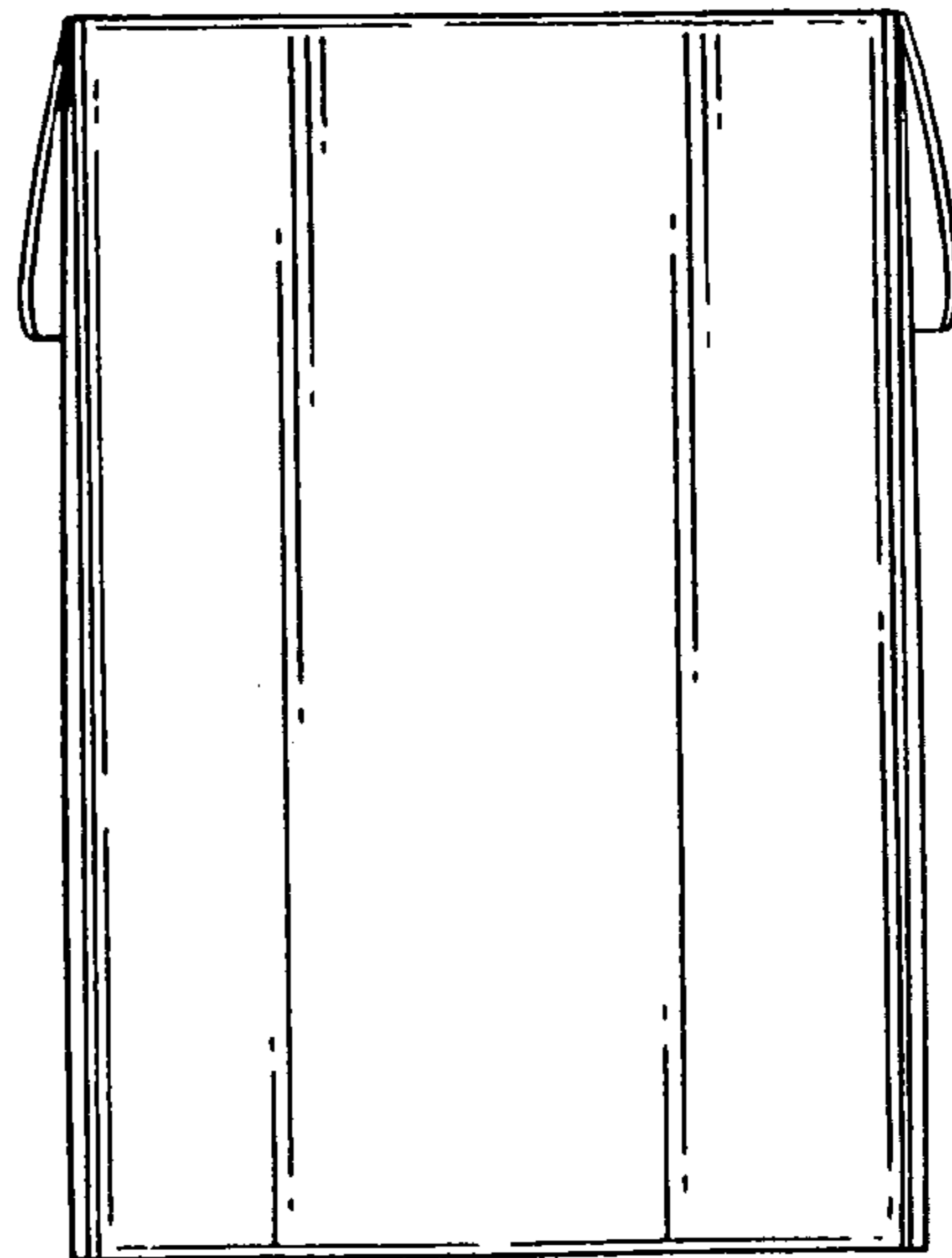


Fig. 3.

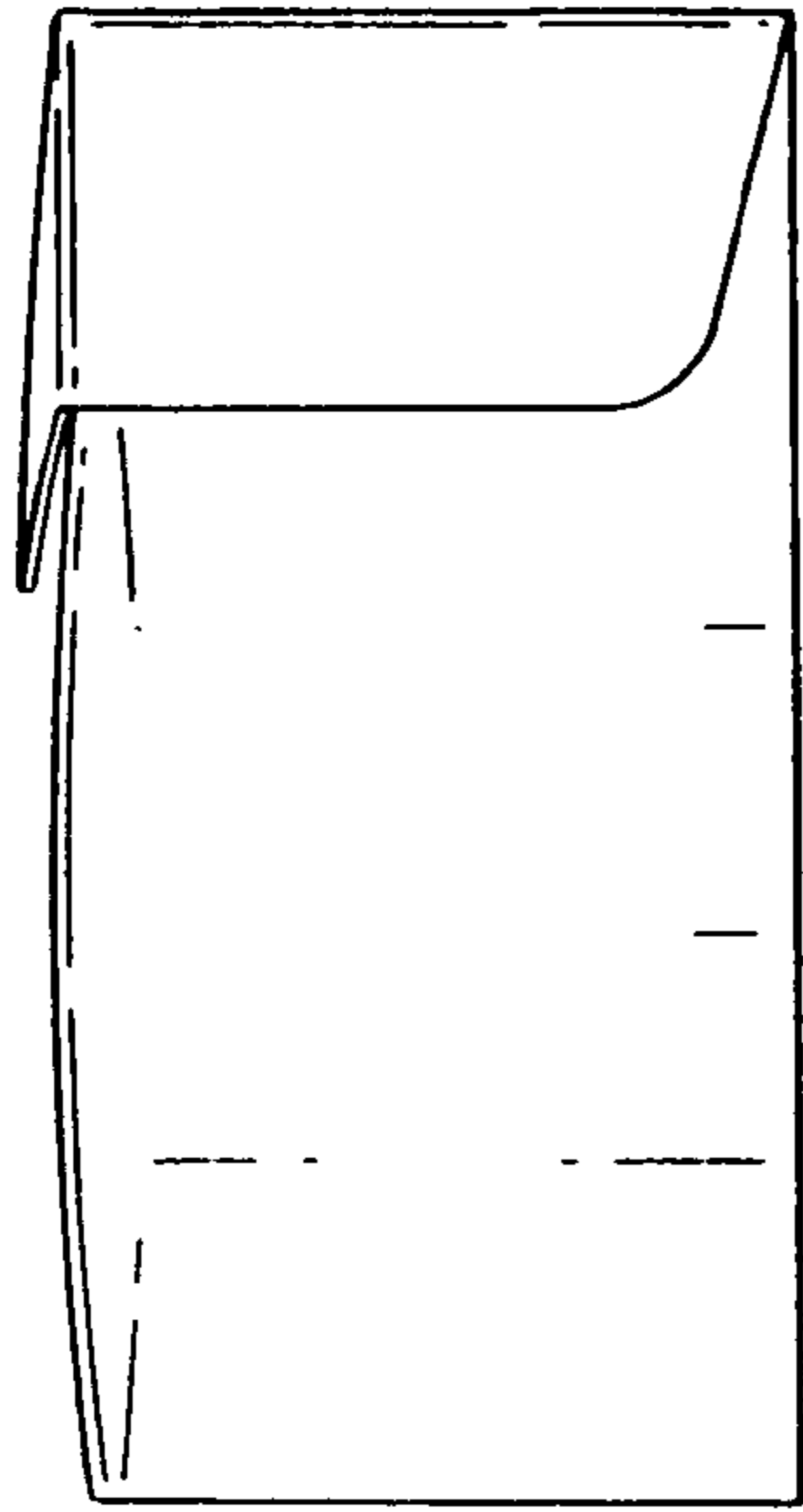


Fig.4.

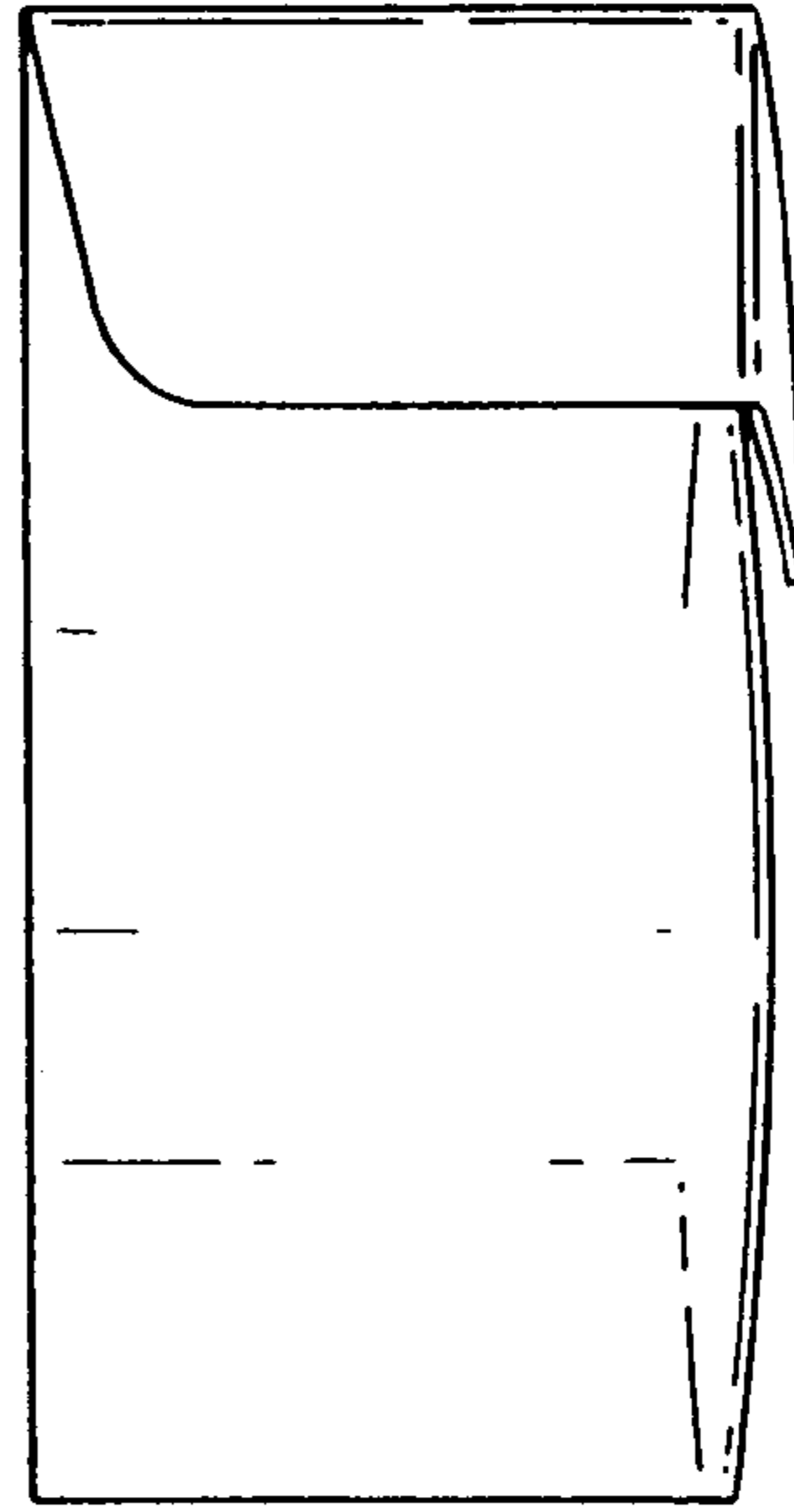


Fig.5.

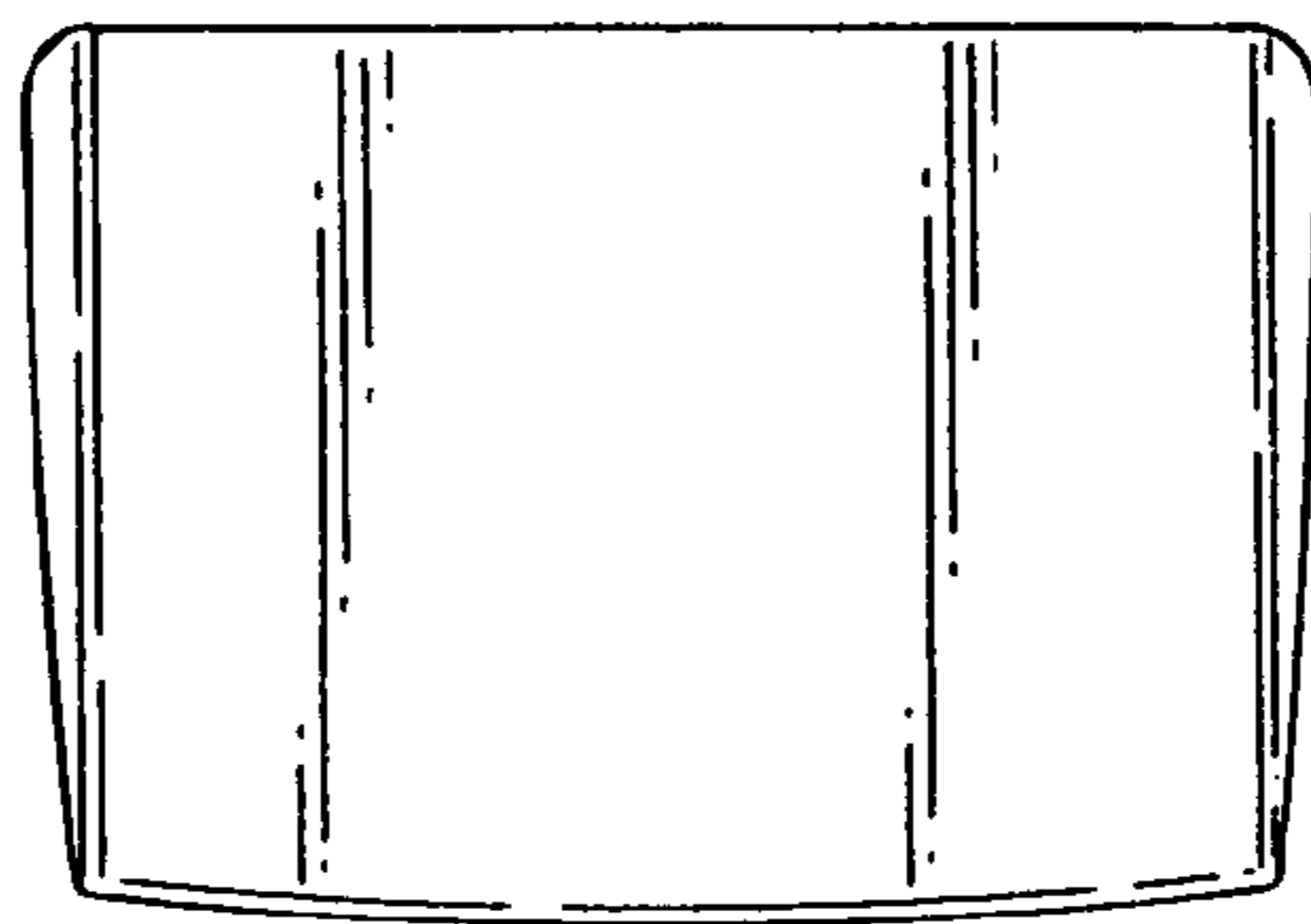


Fig.6.

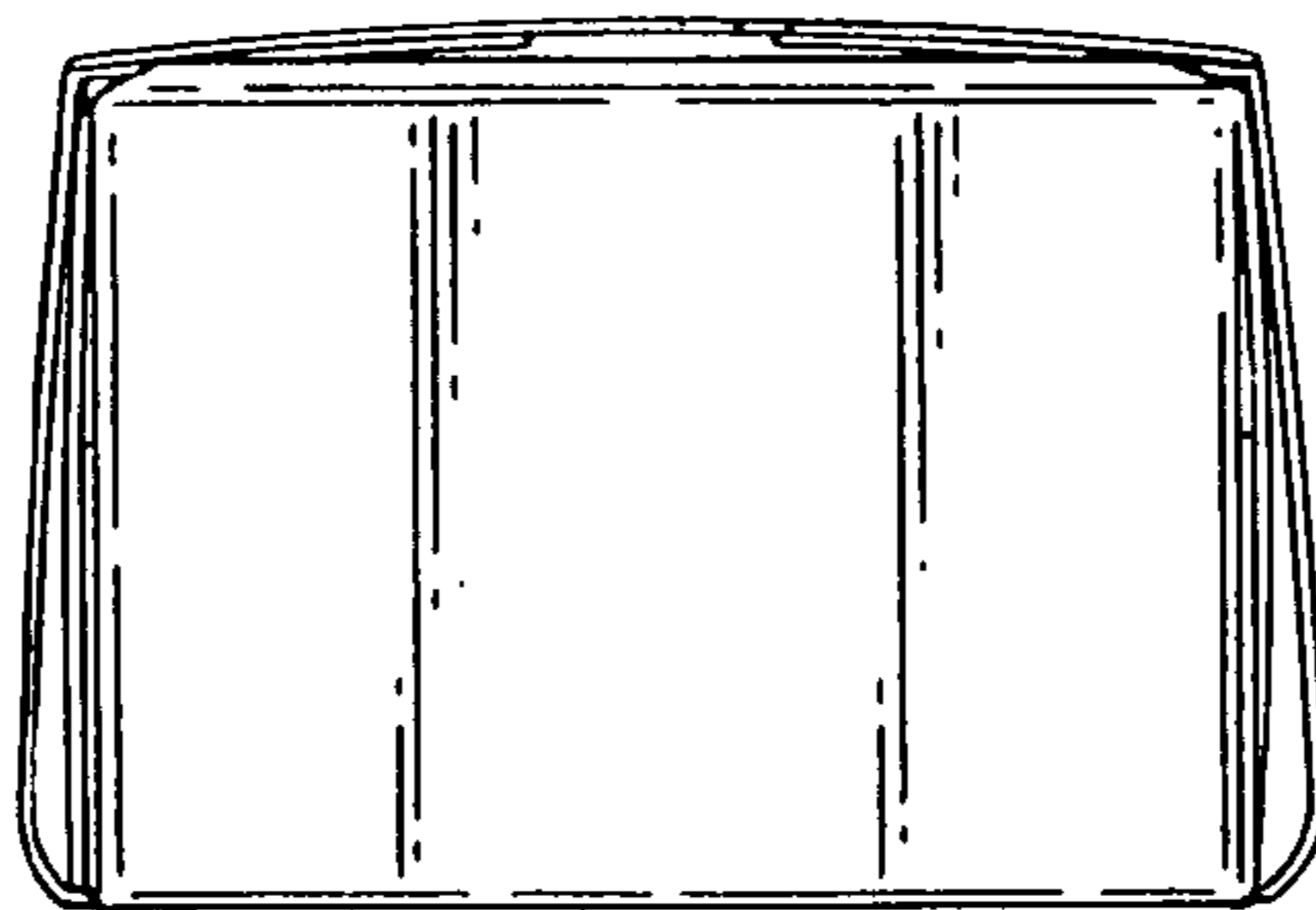


Fig.7.