

US00D549093S

(12) **United States Design Patent**
Weakland

(10) **Patent No.:** **US D549,093 S**

(45) **Date of Patent:** **** Aug. 21, 2007**

(54) **STAPLE BOX**

(76) Inventor: **Robert Weakland**, 2 Taylor St.
Extension, Canisteo, NY (US) 14823

(**) Term: **14 Years**

(21) Appl. No.: **29/221,049**

(22) Filed: **Jan. 10, 2005**

(51) **LOC (8) Cl.** **09-03**

(52) **U.S. Cl.** **D9/420; D9/432**

(58) **Field of Classification Search** D9/420,
D9/414, 415, 431, 432, 499; 206/216
See application file for complete search history.

(56) **References Cited**

U.S. PATENT DOCUMENTS

- D284,714 S * 7/1986 Thor D3/225
- D407,973 S * 4/1999 Miller et al. D9/423
- D479,994 S * 9/2003 Cendejas D9/432

* cited by examiner

Primary Examiner—Prabhakar Deshmukh

Assistant Examiner—Derrick Holland

(74) *Attorney, Agent, or Firm*—Mark Levy & Associates,
PLLC

(57) **CLAIM**

The ornamental design for a staple box, as shown and described.

DESCRIPTION

FIG. 1 is a rear perspective view of the staple box, showing my new design;

FIG. 2 is a left side elevational view thereof;

FIG. 3 is a right side elevational view thereof;

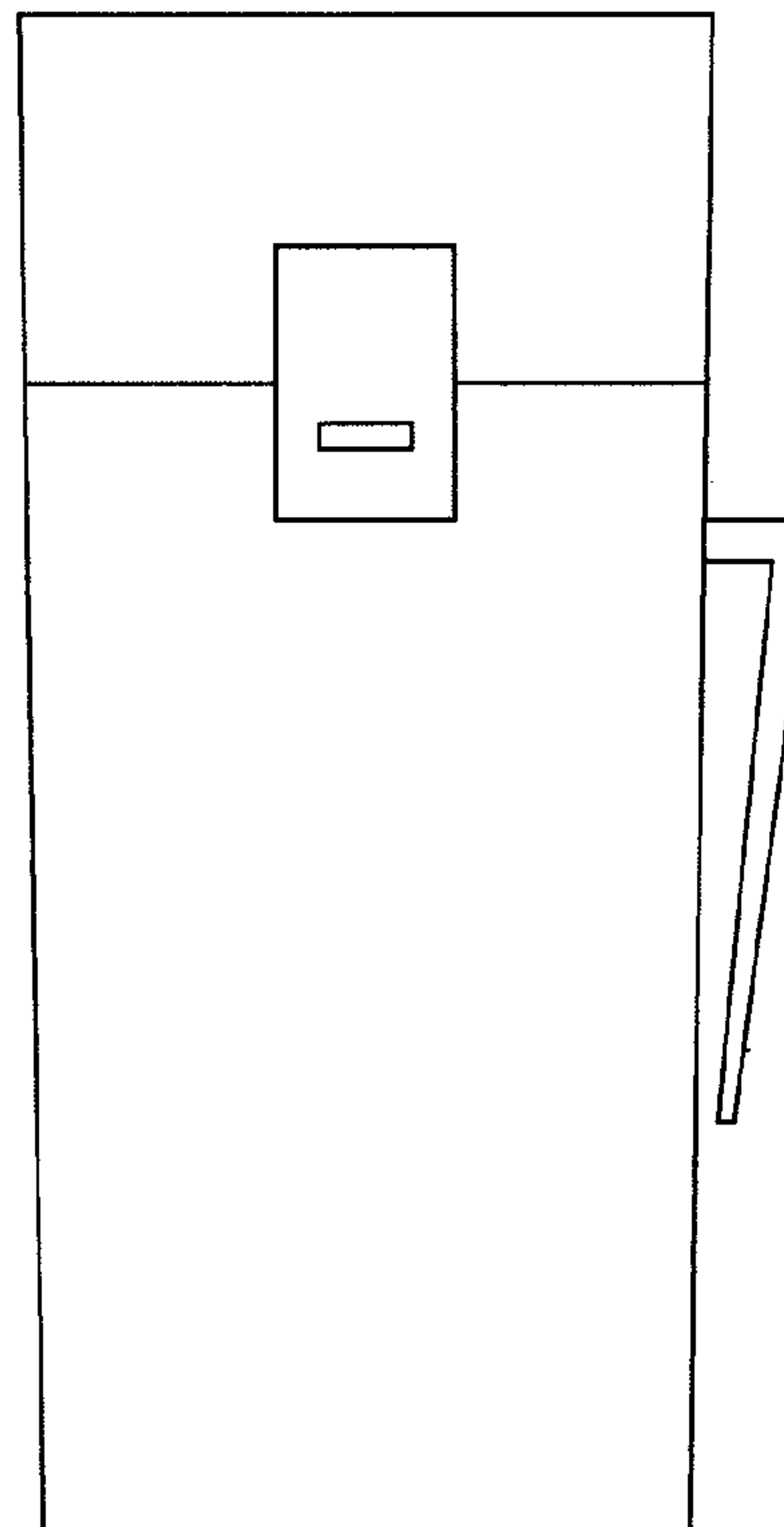
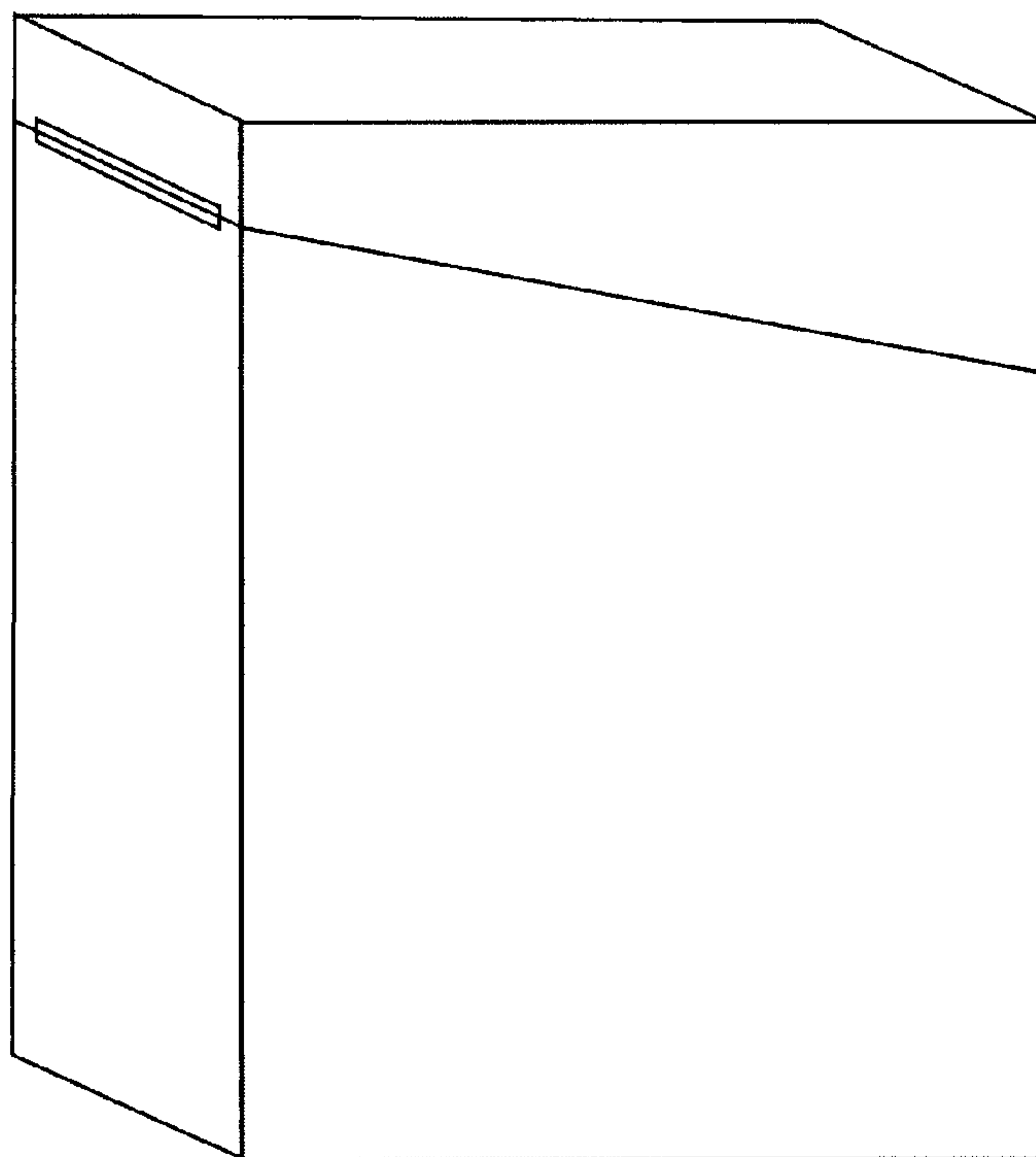
FIG. 4 is a front elevational view thereof;

FIG. 5 is a rear elevational view thereof;

FIG. 6 is a bottom plan view thereof; and,

FIG. 7 is a top plan view thereof.

1 Claim, 6 Drawing Sheets



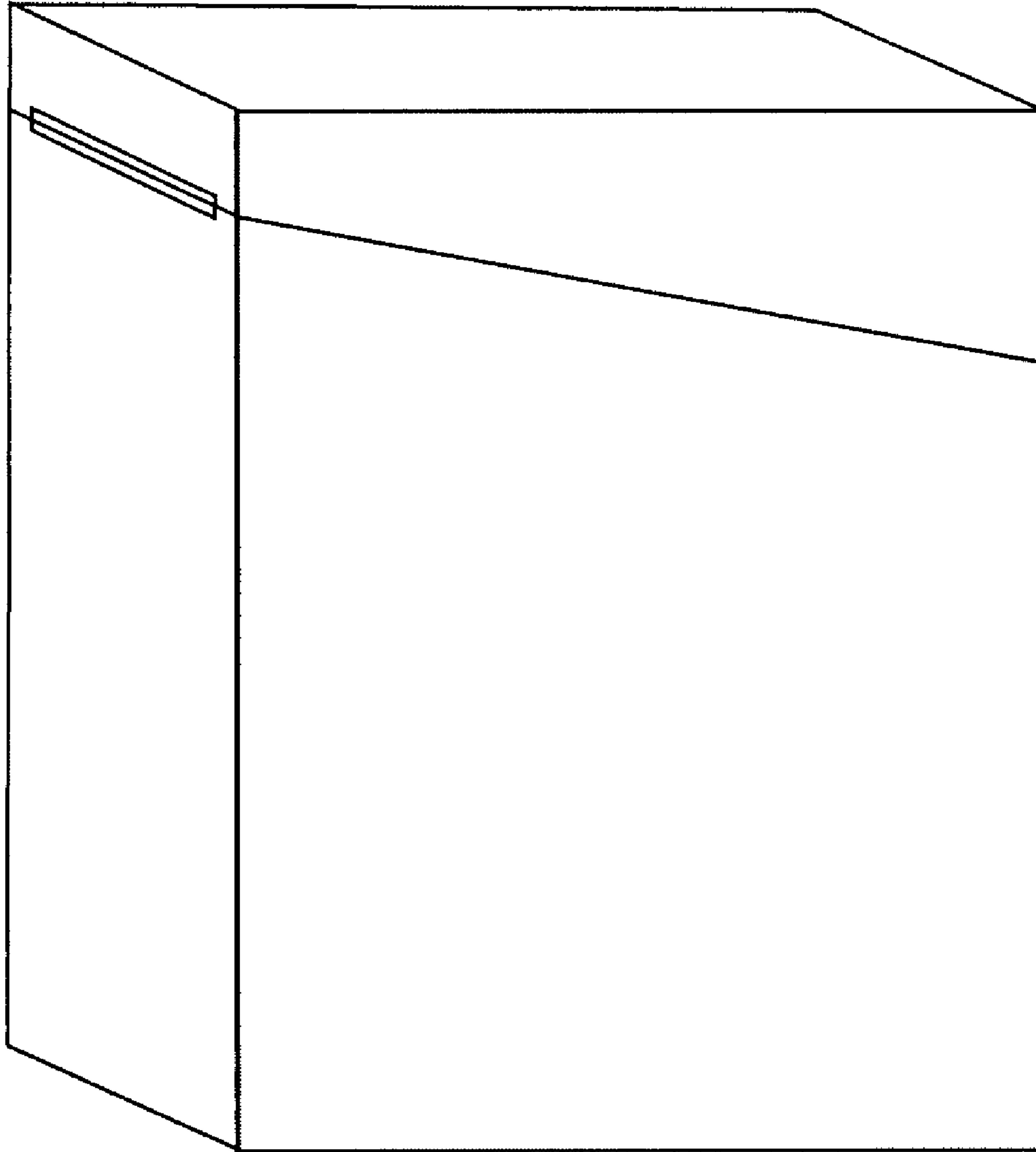


Figure 1

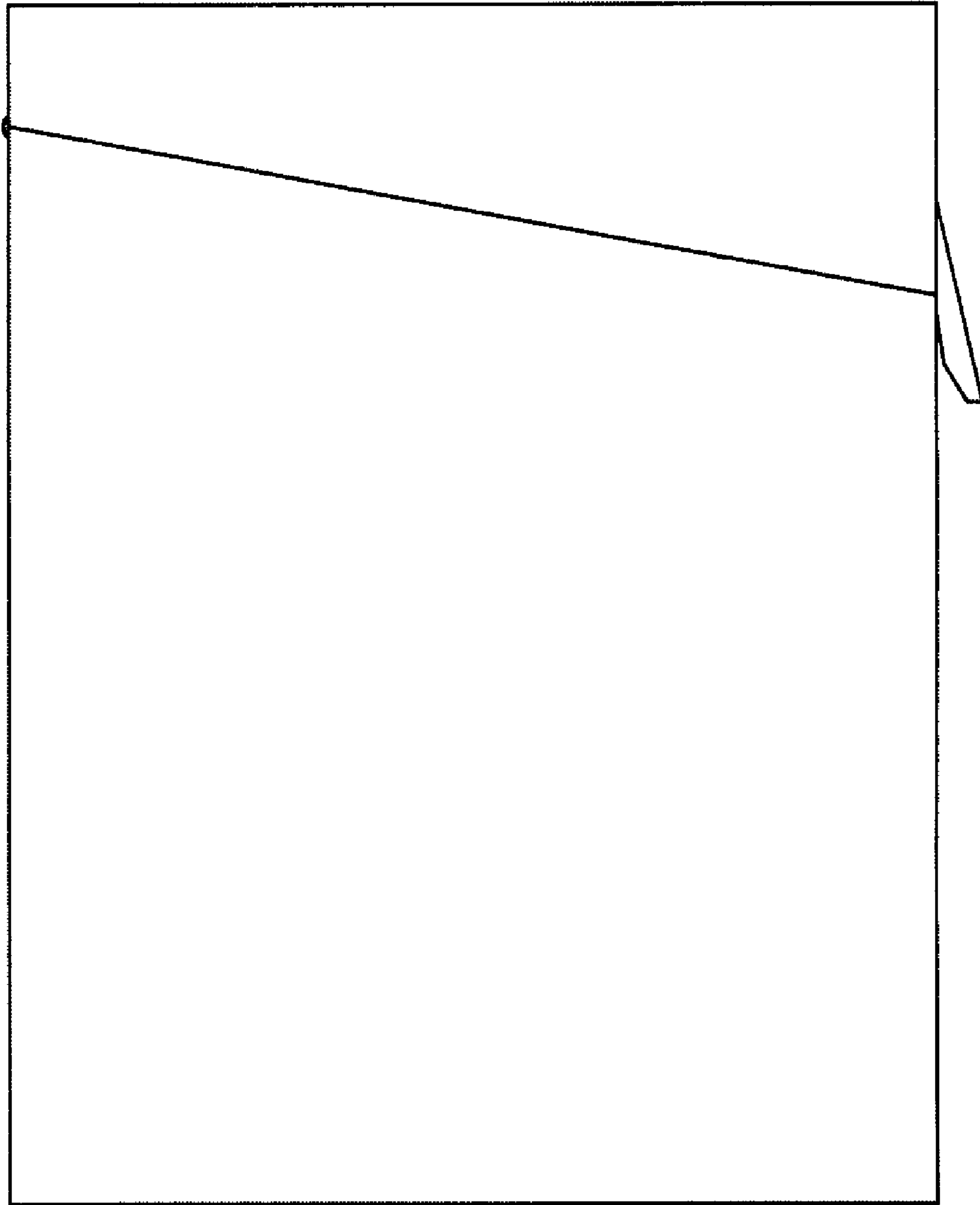


Figure 2

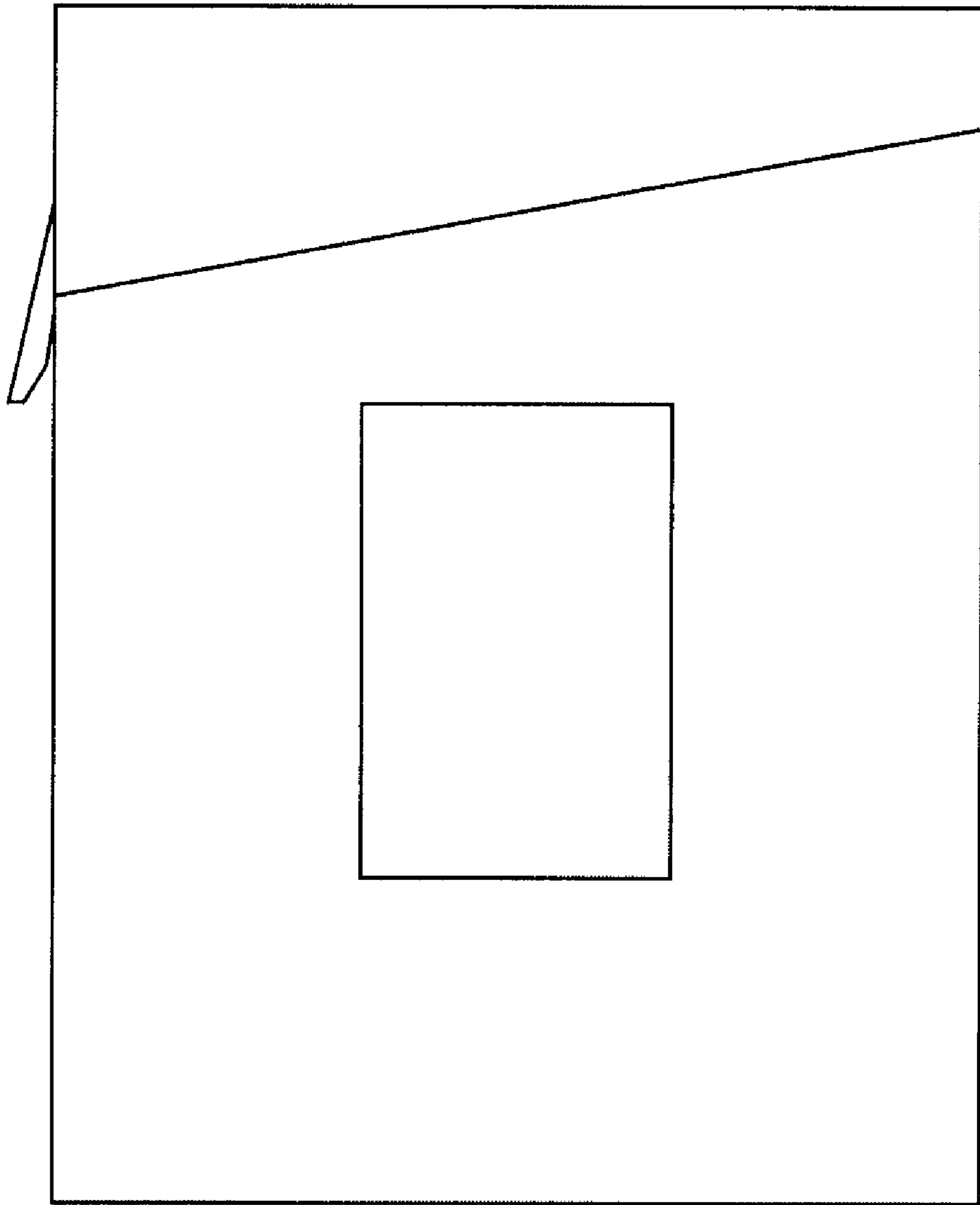


Figure 3

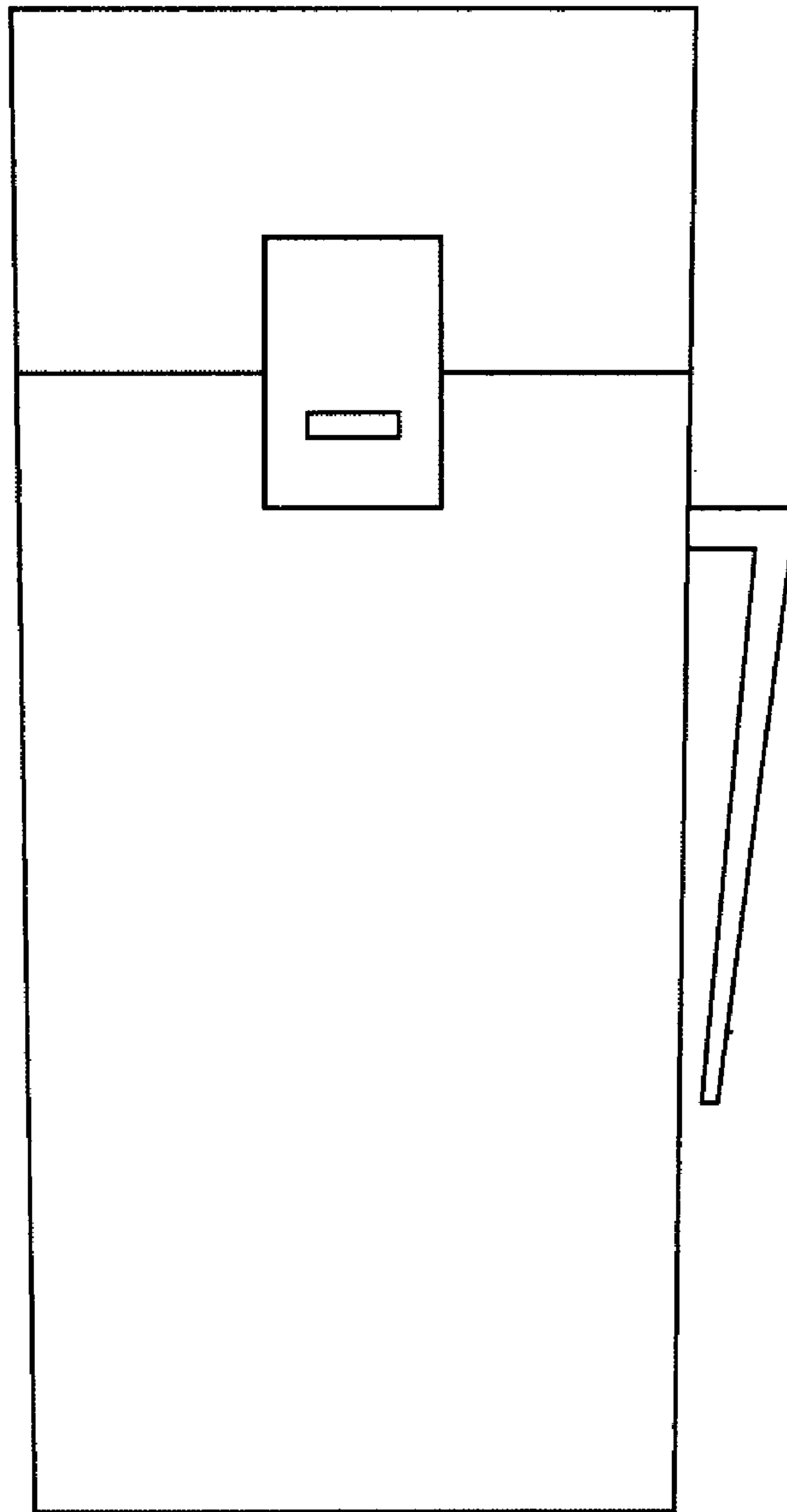


Figure 4

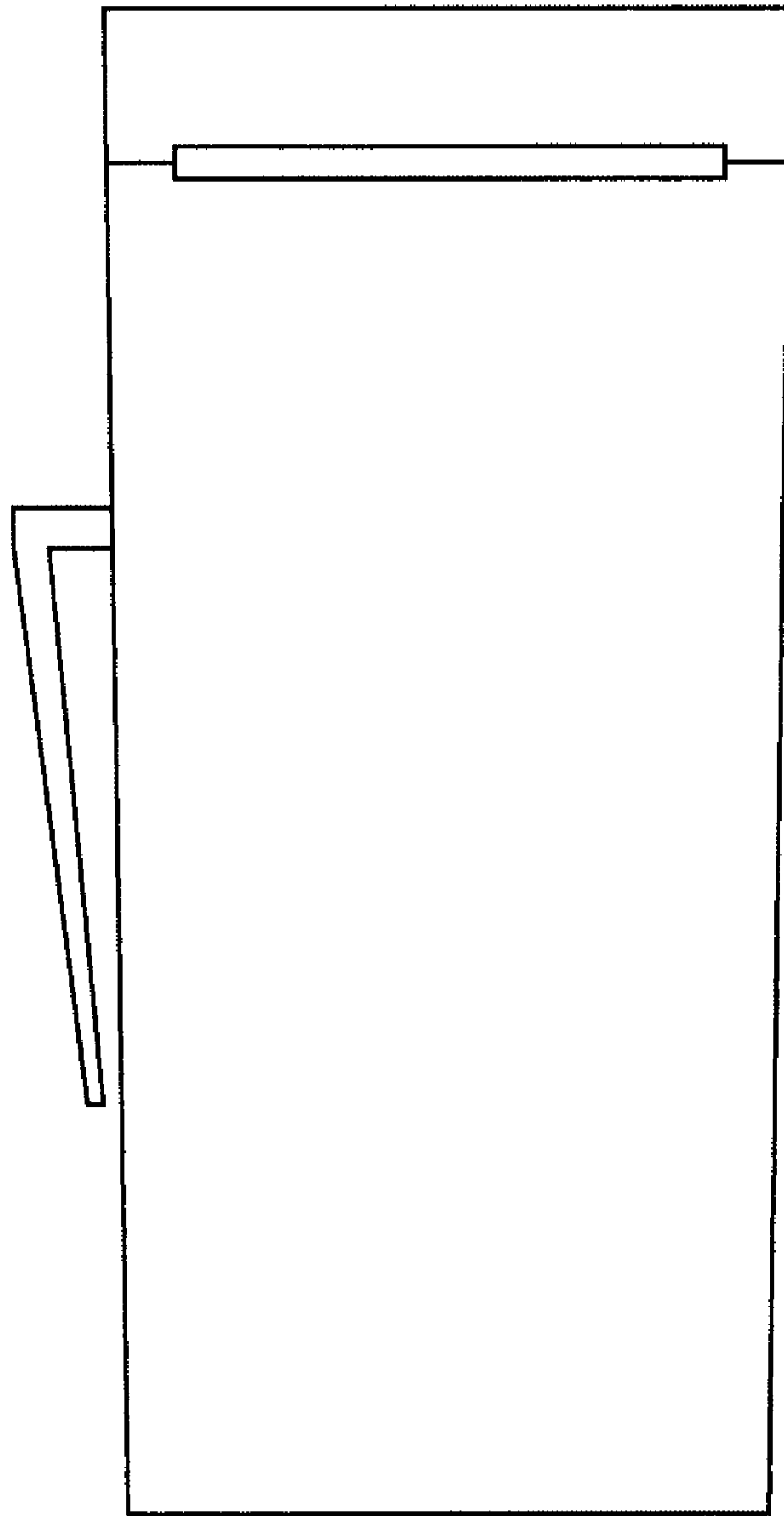


Figure 5

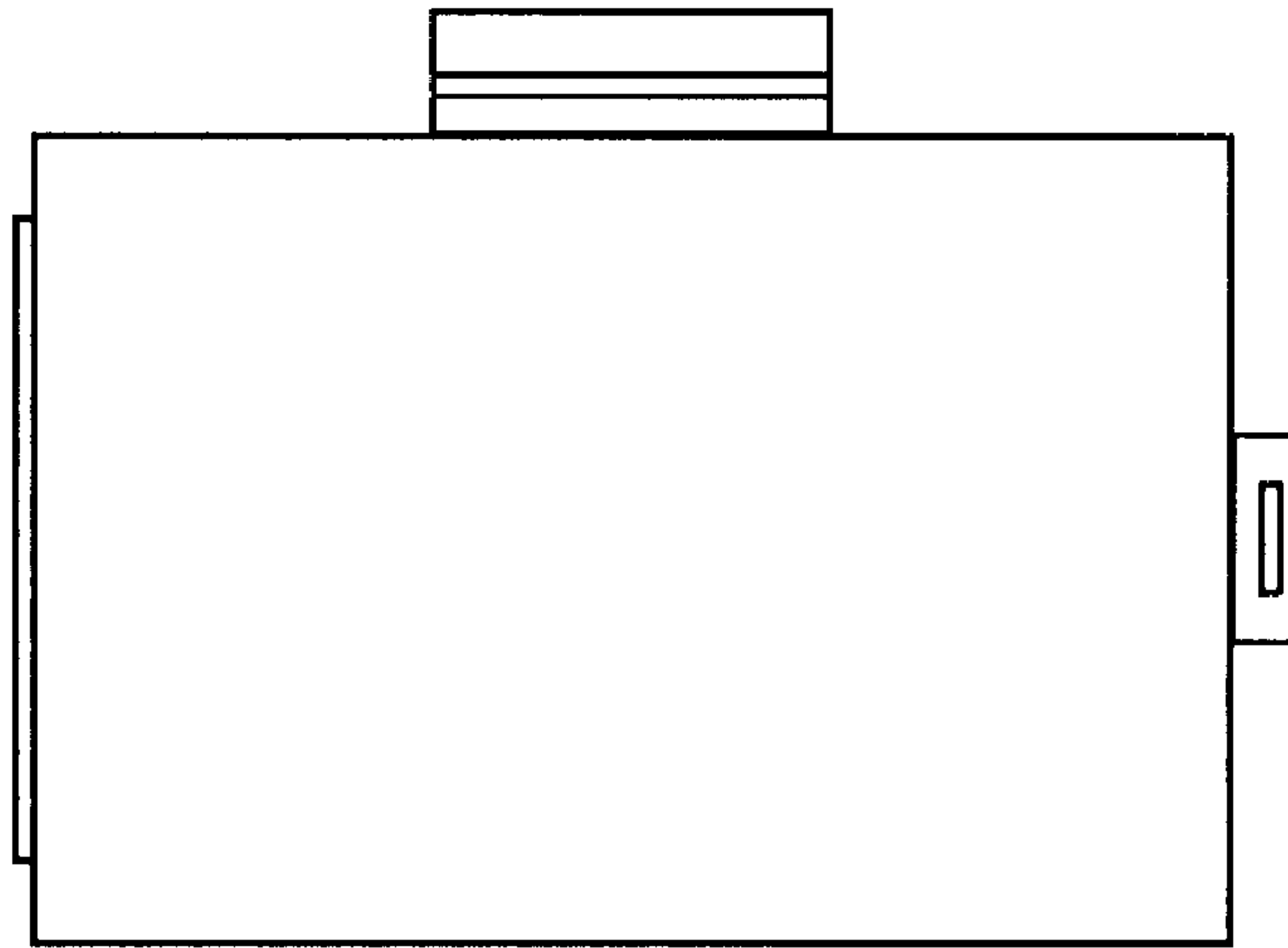


Figure 6

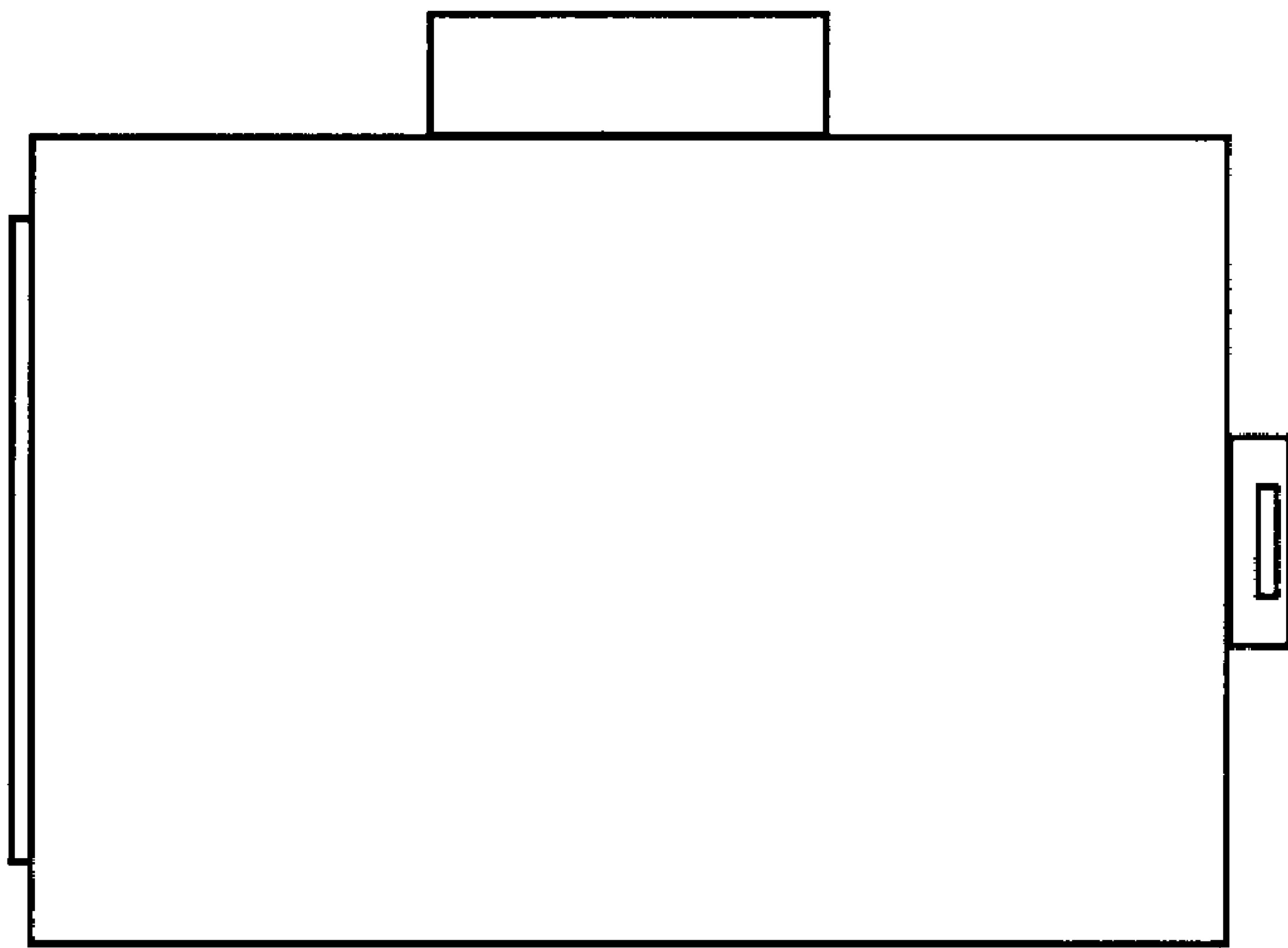


Figure 7