

US00D549091S

(12) **United States Design Patent**  
**McIntyre et al.**

(10) **Patent No.:** **US D549,091 S**

(45) **Date of Patent:** **\*\* Aug. 21, 2007**

(54) **WASHER**

(76) Inventors: **Dale Michael McIntyre**, 458A Don Buck Road, Massey, Auckland (NZ); **James Malcolm Buchanan**, 14 Sarah Todd Lane, Waimauku, Auckland (NZ); **Henricus Jacobus Johannes Hermans**, 10 McArthur Street, St Heliers, Auckland (NZ); **Shane Robert Reckin**, 9 Third View Avenue, Beachlands, Auckland (NZ)

(\*\*) **Term:** **14 Years**

(21) **Appl. No.:** **29/232,774**

(22) **Filed:** **Jun. 24, 2005**

(30) **Foreign Application Priority Data**

Dec. 24, 2004 (NZ) ..... 405723

(51) **LOC (8) Cl.** ..... **08-08**

(52) **U.S. Cl.** ..... **D8/399**

(58) **Field of Classification Search** ..... D8/382, D8/387, 397, 398, 399; 411/81, 88, 90-93, 411/96-98, 103, 114, 106-108, 132-165, 411/172-189, 197, 204, 248, 337, 338, 366.1, 411/366.2, 366.3, 368-369, 371.2, 371.5, 411/418, 427, 429-432, 436, 437, 526, 531-538, 411/542, 544; 70/229; 301/35.623, 111.01  
See application file for complete search history.

(56) **References Cited**

**U.S. PATENT DOCUMENTS**

202,723 A \* 4/1878 Hayward ..... 411/136  
264,536 A \* 9/1882 Hoffecker ..... 411/150  
320,270 A \* 6/1885 Mitchell ..... 411/150  
D32,793 S \* 6/1900 Fauber ..... D8/399  
688,841 A \* 12/1901 Freese ..... 411/136  
937,199 A \* 10/1909 Willard ..... 411/531

1,425,725 A \* 8/1922 Trepier ..... 411/149  
1,635,313 A \* 7/1927 Dieterich ..... 411/135  
1,963,535 A \* 6/1934 Trotter ..... 411/156  
2,927,495 A \* 3/1960 Barwood ..... 411/371.1  
3,016,941 A \* 1/1962 Coldren ..... 411/134  
3,168,321 A \* 2/1965 Glicksman ..... 277/637  
3,171,460 A \* 3/1965 Coldren ..... 411/134  
3,316,953 A \* 5/1967 Fransson et al. .... 411/108  
3,726,178 A \* 4/1973 Dimitry ..... 411/371.1  
3,900,130 A \* 8/1975 Andrews ..... 220/378  
4,280,390 A \* 7/1981 Murray ..... 411/542  
D269,852 S \* 7/1983 Frieberg ..... D8/399  
D276,310 S \* 11/1984 Frieberg ..... D8/399  
4,702,657 A \* 10/1987 Jelinek ..... 411/369  
5,020,953 A \* 6/1991 Wada ..... 411/247  
5,188,495 A \* 2/1993 Jones, Jr. .... 411/369  
5,433,568 A \* 7/1995 Thaler ..... 411/369  
5,827,028 A \* 10/1998 Swick ..... 411/368  
2006/0171794 A1 \* 8/2006 Ordonio et al. .... 411/369

\* cited by examiner

*Primary Examiner*—T. Chase Nelson

*Assistant Examiner*—Karen Acker

(74) *Attorney, Agent, or Firm*—Jacobson Holman PLLC

(57) **CLAIM**

We claim the ornamental design for the washer, as shown and described.

**DESCRIPTION**

FIG. 1 is a front perspective view of the washer embodying our design;

FIG. 2 is a cross-sectional view along line 2—2 in FIG. 3;

FIG. 3 is a top plan view of the washer as shown, the opposite side being a mirror image thereof, in FIG. 1; and,

FIG. 4 is a side elevational view of the washer as shown in FIG. 1.

**1 Claim, 2 Drawing Sheets**

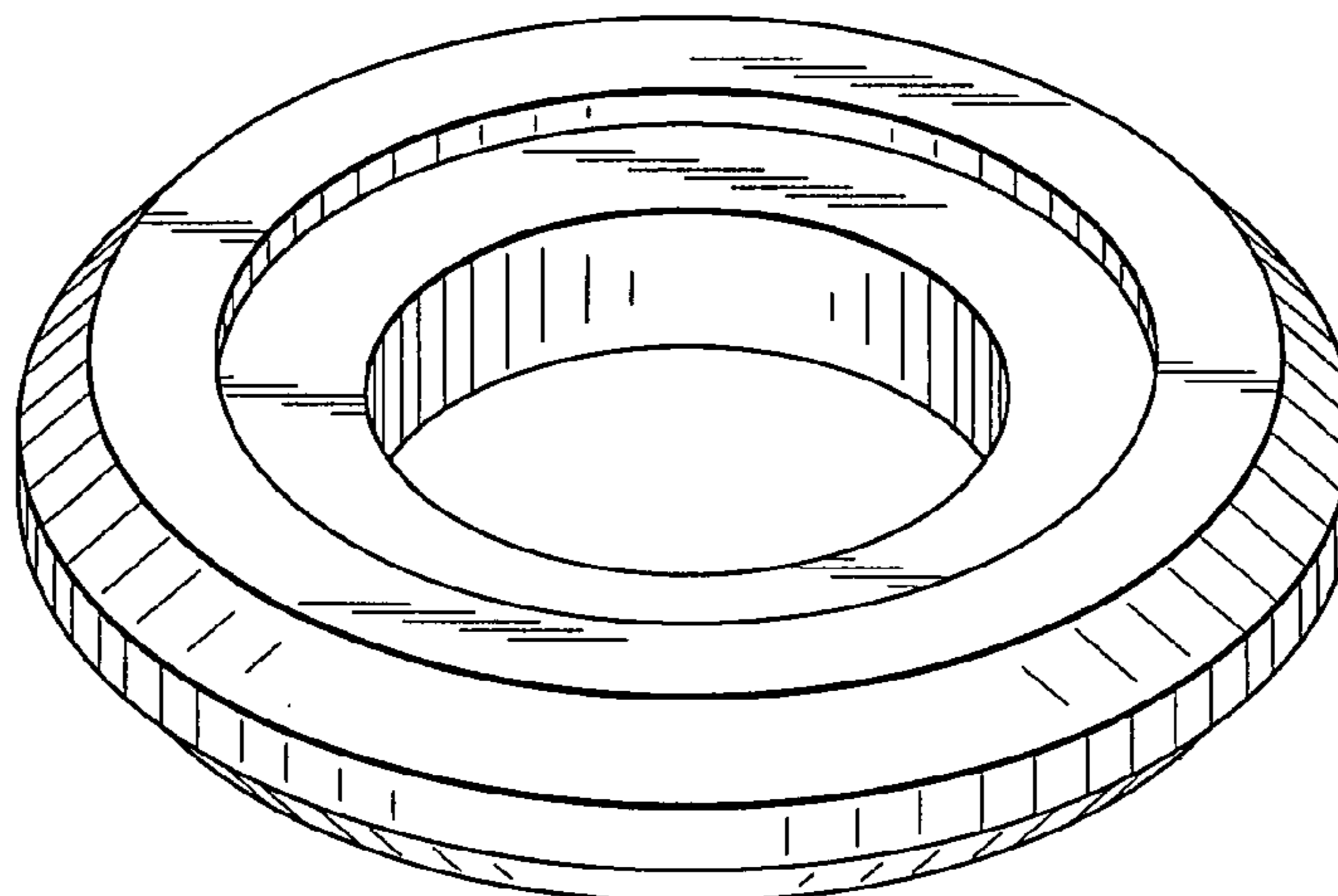


FIG. 1

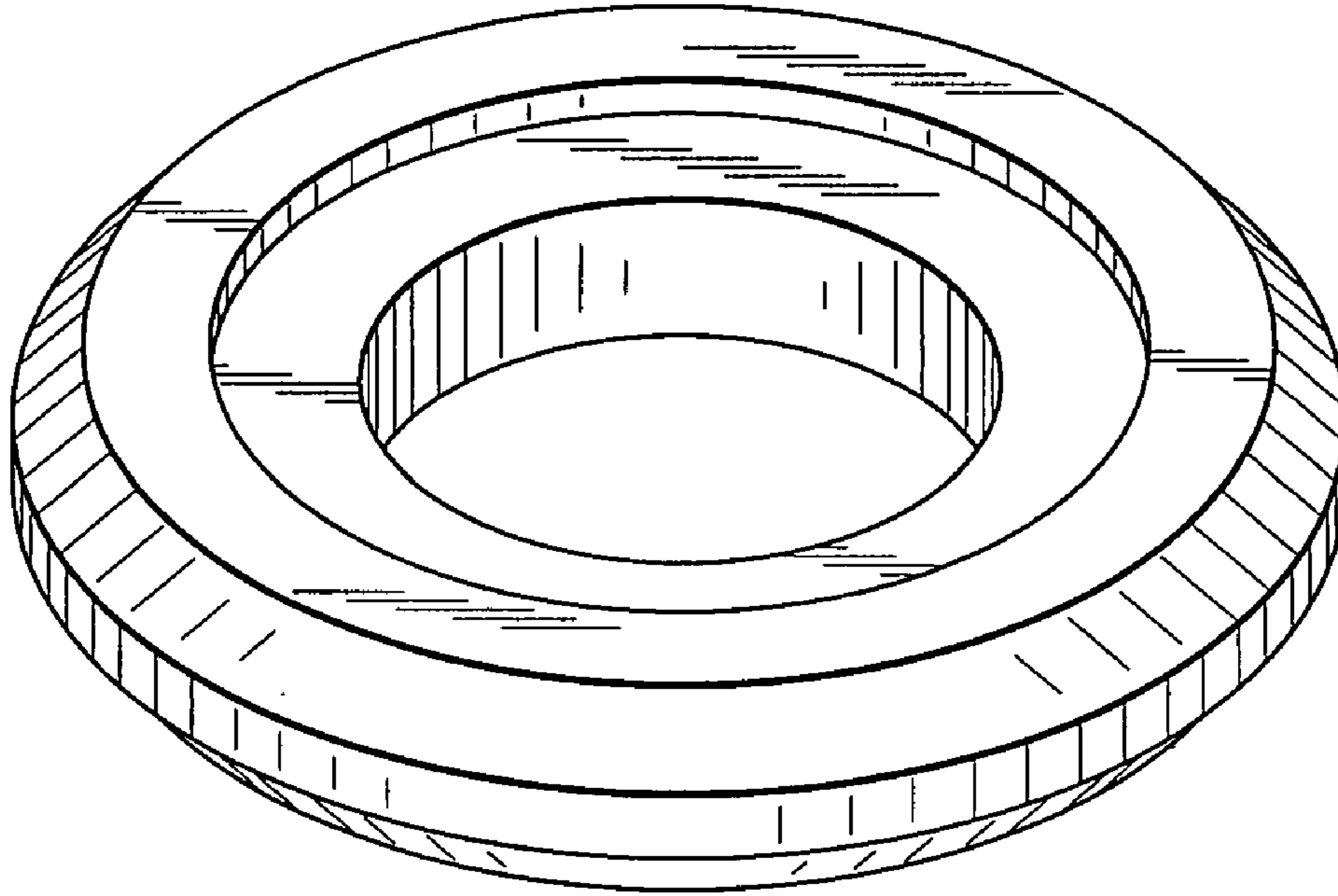


FIG. 2

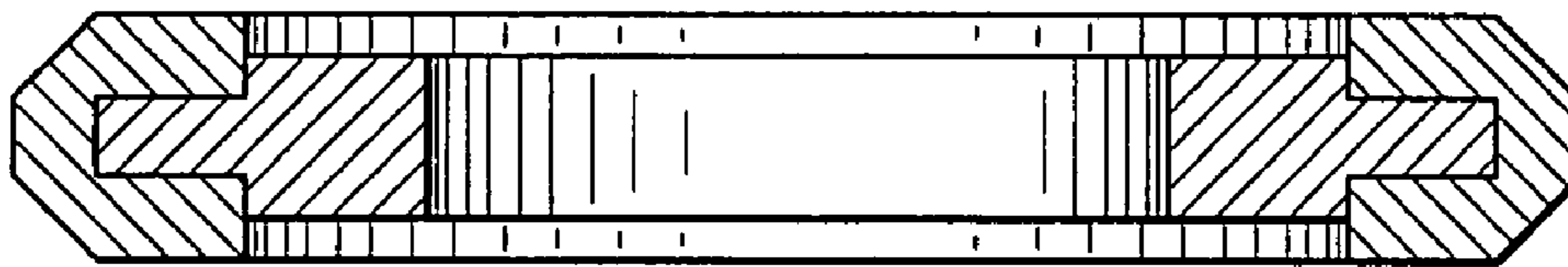


FIG. 3

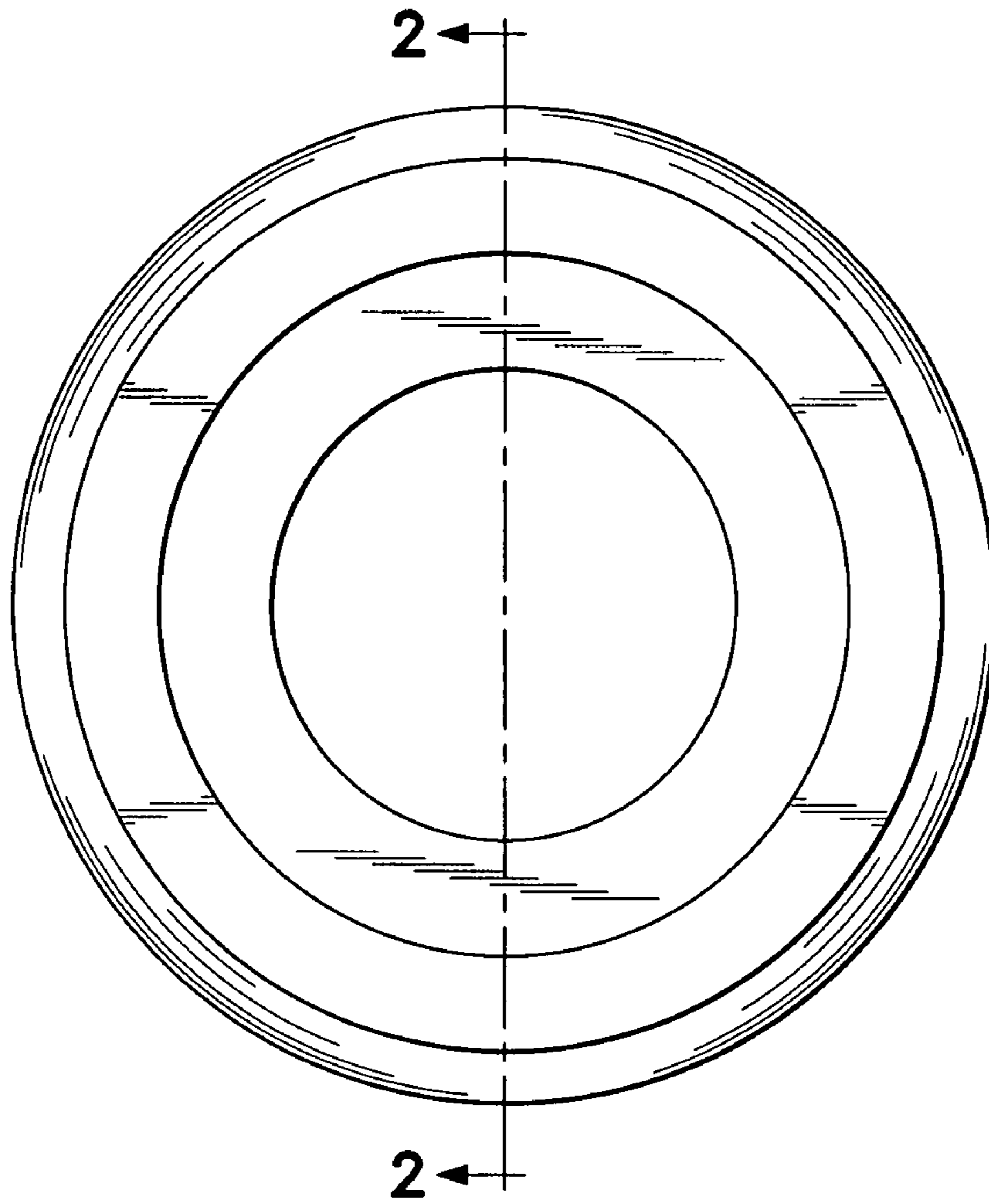


FIG. 4

