



US00D549089S

(12) **United States Design Patent**
Jun et al.

(10) **Patent No.:** **US D549,089 S**

(45) **Date of Patent:** **** Aug. 21, 2007**

(54) **CABLE RETAINING CLAMP**

D535,291 S * 1/2007 Chiang D14/230

(75) Inventors: **Frank Jun**, San Jose, CA (US);
Michael Chern, San Jose, CA (US);
Saeed Seyed, Los Altos Hills, CA (US)

* cited by examiner

Primary Examiner—Louis S. Zarfaz
Assistant Examiner—John Windmuller
(74) *Attorney, Agent, or Firm*—Bainwood Huang

(73) Assignee: **Cisco Technology, Inc.**, San Jose, CA (US)

(57) **CLAIM**

(**) Term: **14 Years**

The ornamental design for a cable retaining clamp, as shown and described.

(21) Appl. No.: **29/254,251**

(22) Filed: **Feb. 21, 2006**

DESCRIPTION

(51) **LOC (8) Cl.** **08-08**

FIG. 1 is a perspective view of cable retaining clamp showing our new design;

(52) **U.S. Cl.** **D8/394**

FIG. 2 is a front elevational view thereof;

(58) **Field of Classification Search** D8/356,
D8/371, 394–396; D19/65, 56; 24/22, 67 R,
24/20 S, 115 R, 546, 563, 910, 343, 67.9;
248/74.2, 215, 227.1, 49, 300, 301, 316.7,
248/51, 489

FIG. 3 is a rear elevational view thereof;

FIG. 4 is a bottom plan view thereof;

FIG. 5 is a top plan view thereof;

FIG. 6 is a right side elevational view thereof;

FIG. 7 is a left side elevational view thereof;

See application file for complete search history.

FIG. 8 is a perspective view of the cable retaining clamp of FIG. 1 with a cord and inlet adaptor; and,

FIG. 9 is an assembled view of the cable retaining clamp of FIG. 1 with the cord and inlet adaptor.

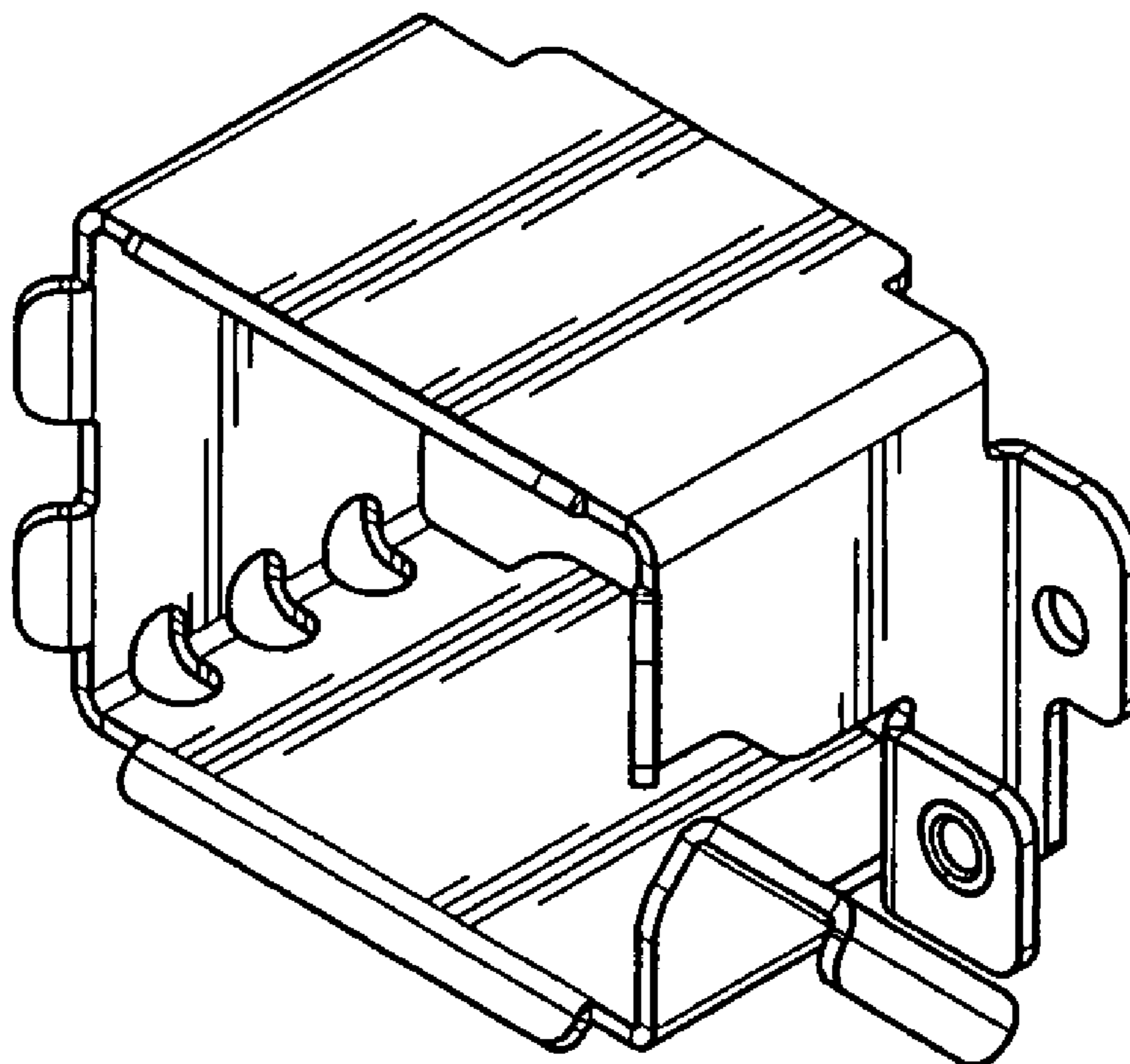
The broken line showing of the cord and inlet adaptor in FIGS. 8 and 9 is for illustrative purposes only and forms no part of the claimed design.

(56) **References Cited**

U.S. PATENT DOCUMENTS

D195,675 S *	7/1963	Stall	D8/366
D356,244 S *	3/1995	Merritt	D8/394
5,620,334 A	4/1997	Quillet et al.	439/471
5,967,468 A	10/1999	Veghte et al.	248/71
D473,124 S *	4/2003	Wu et al.	D8/356
D523,329 S *	6/2006	Klippel et al.	D8/394
7,101,215 B2	9/2006	Woellner et al.	439/371

1 Claim, 9 Drawing Sheets



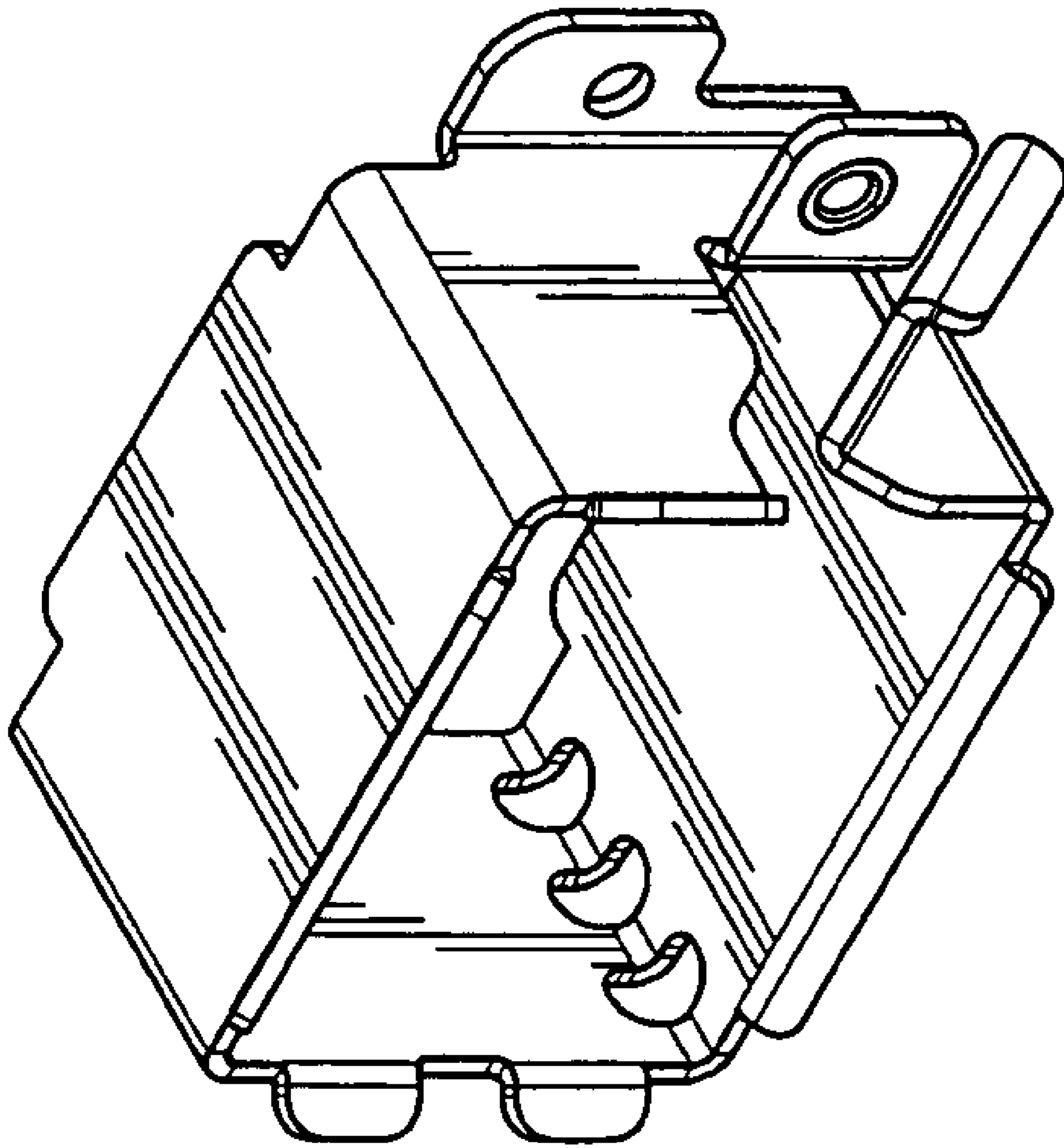


FIG. 1

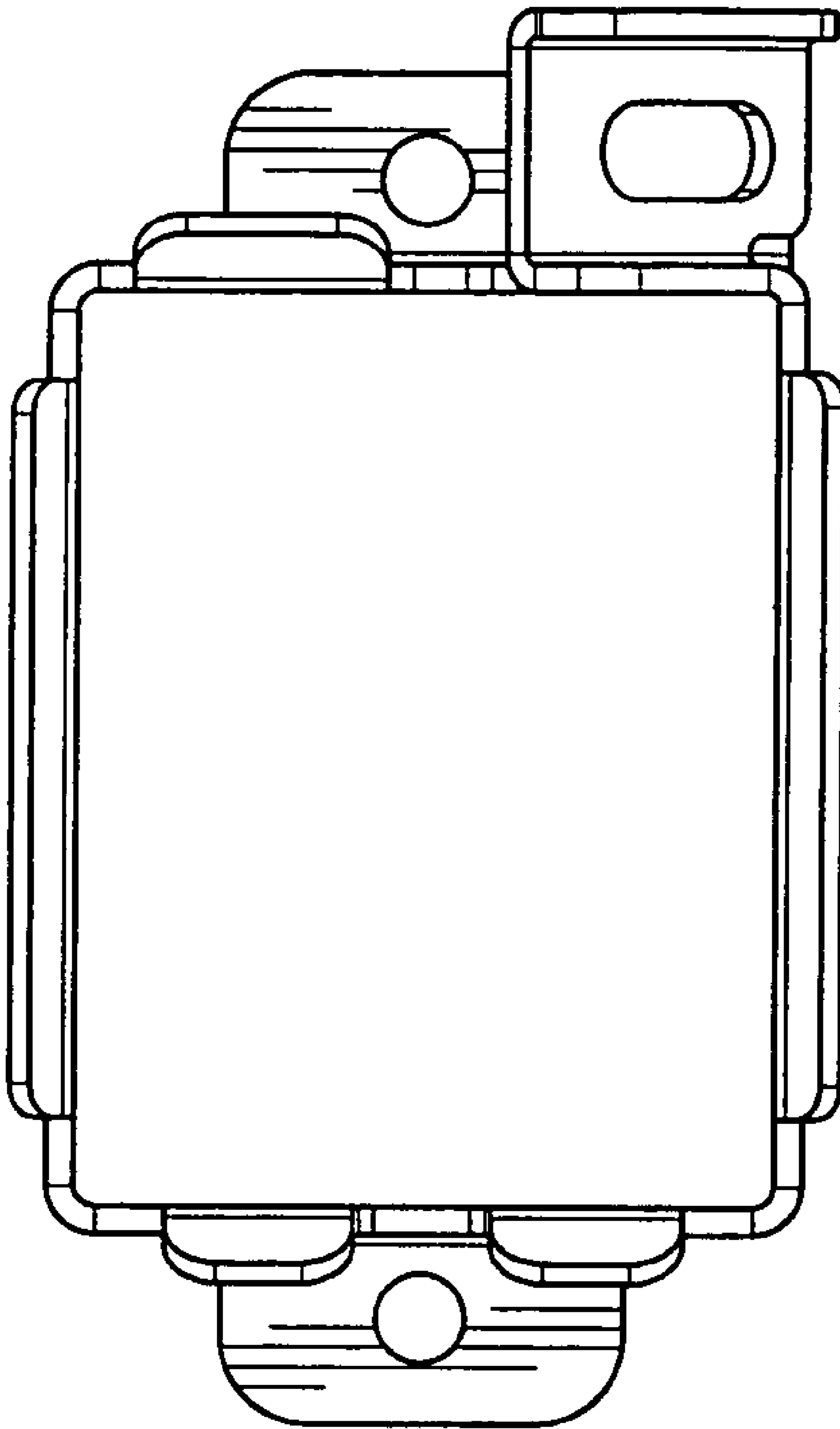


FIG. 2

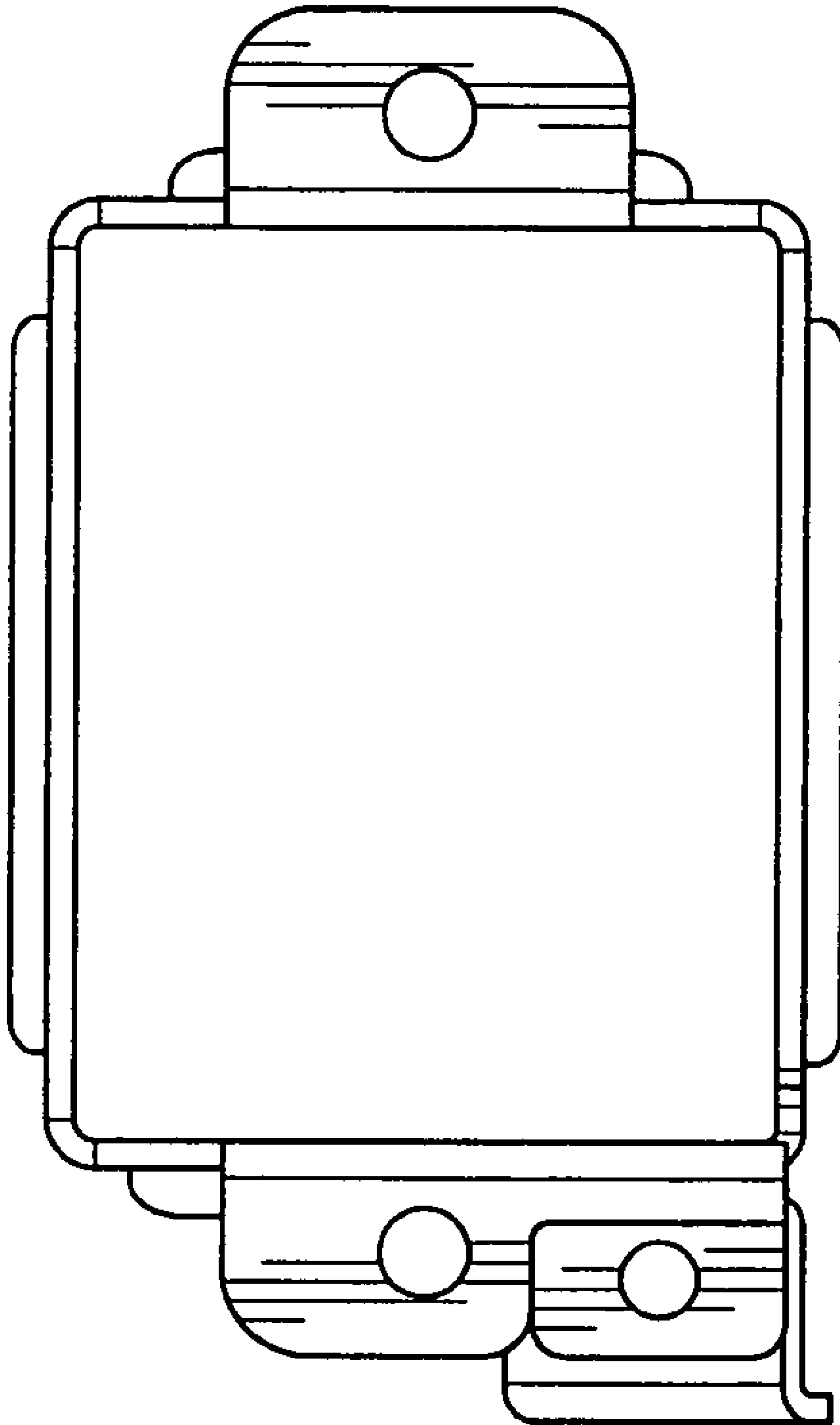


FIG. 3

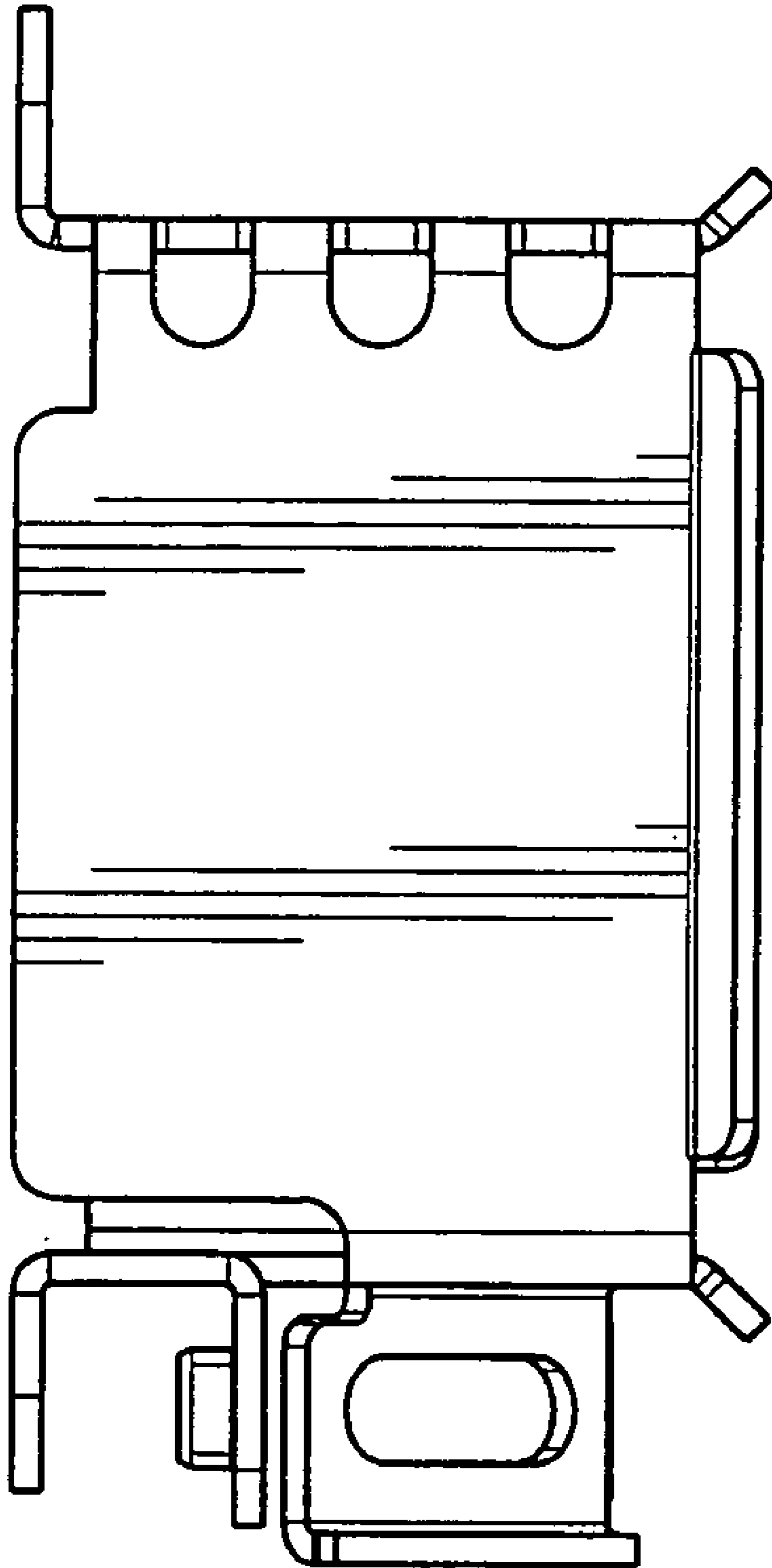


FIG. 4

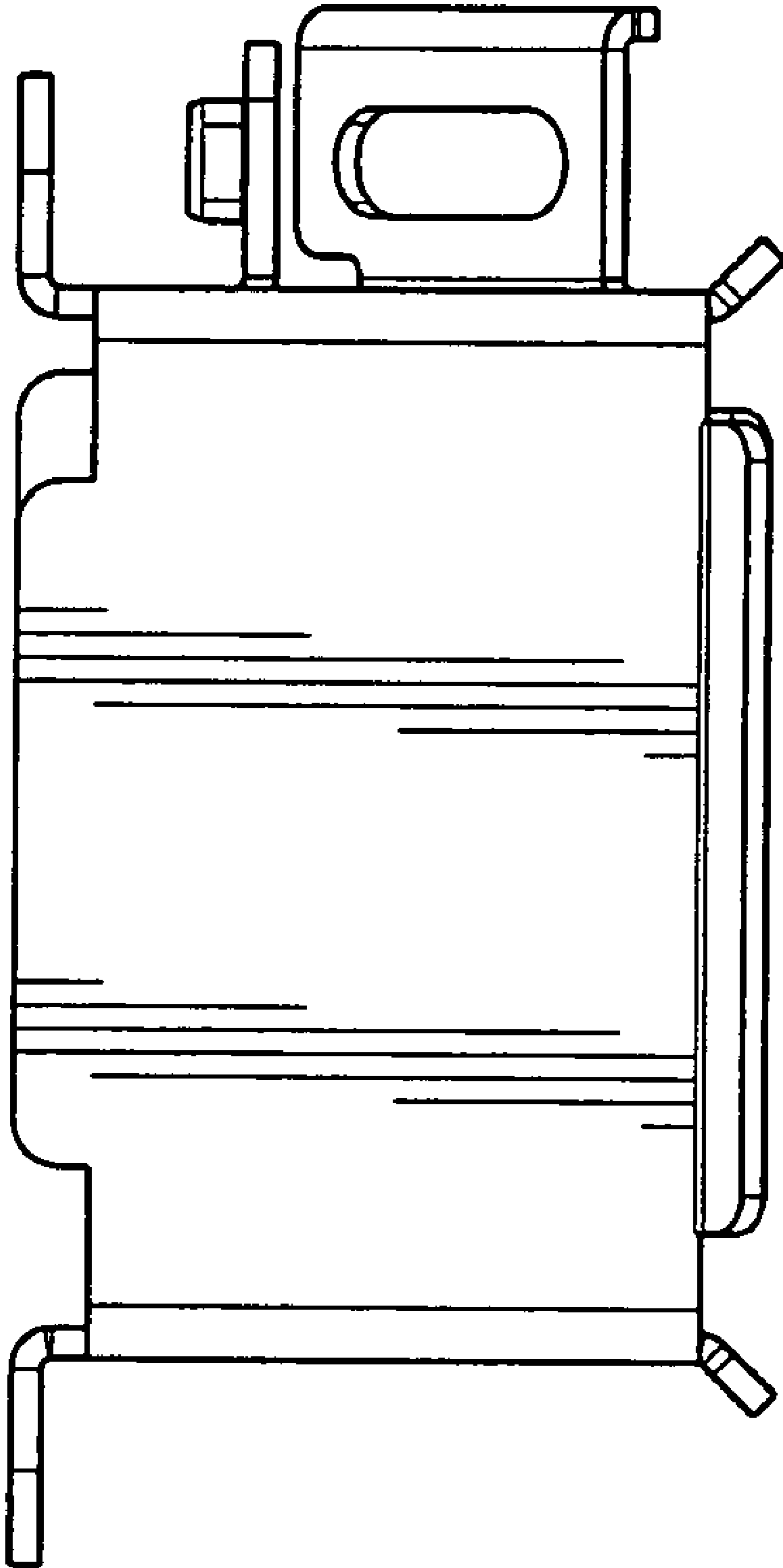


FIG. 5

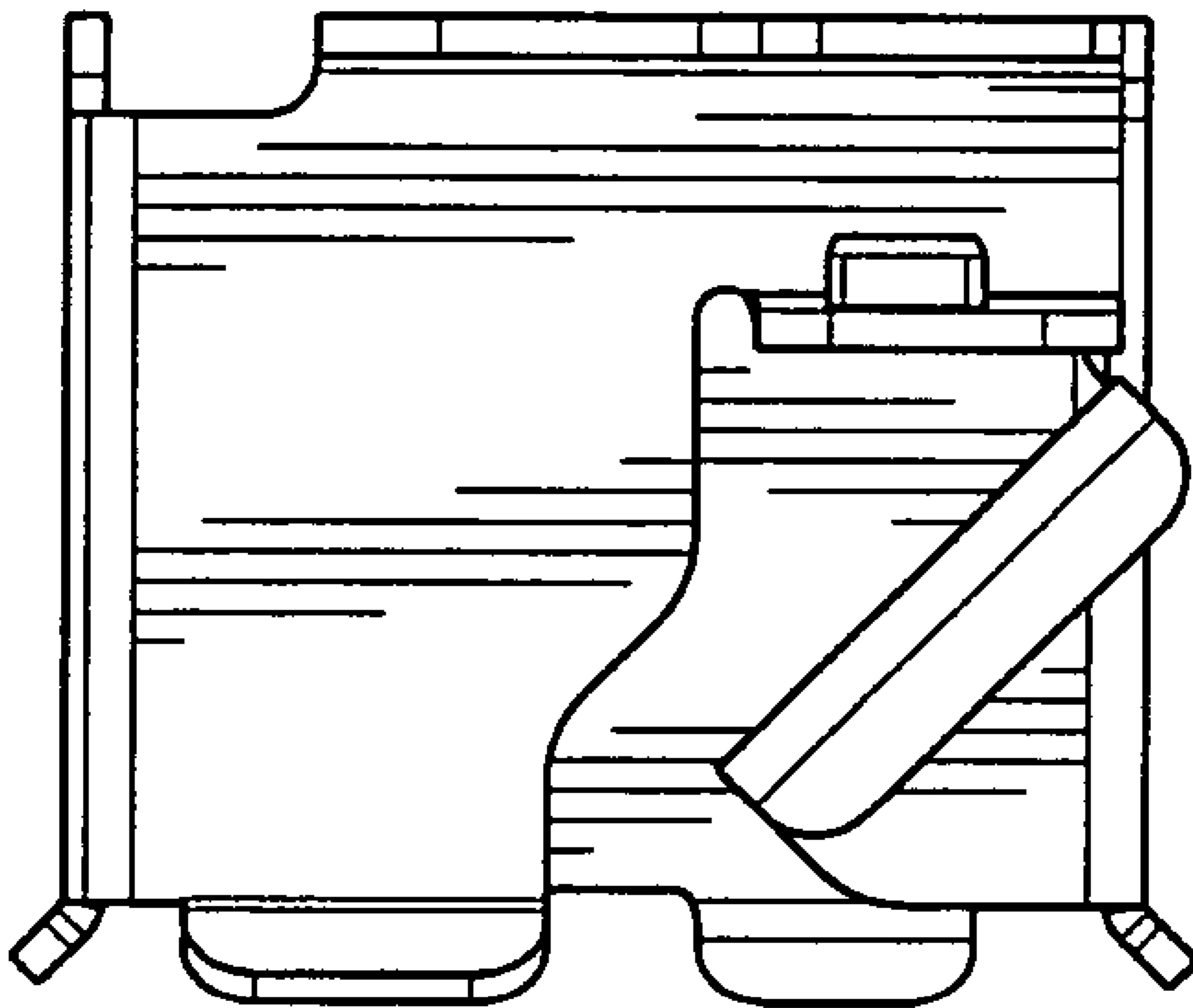


FIG. 6

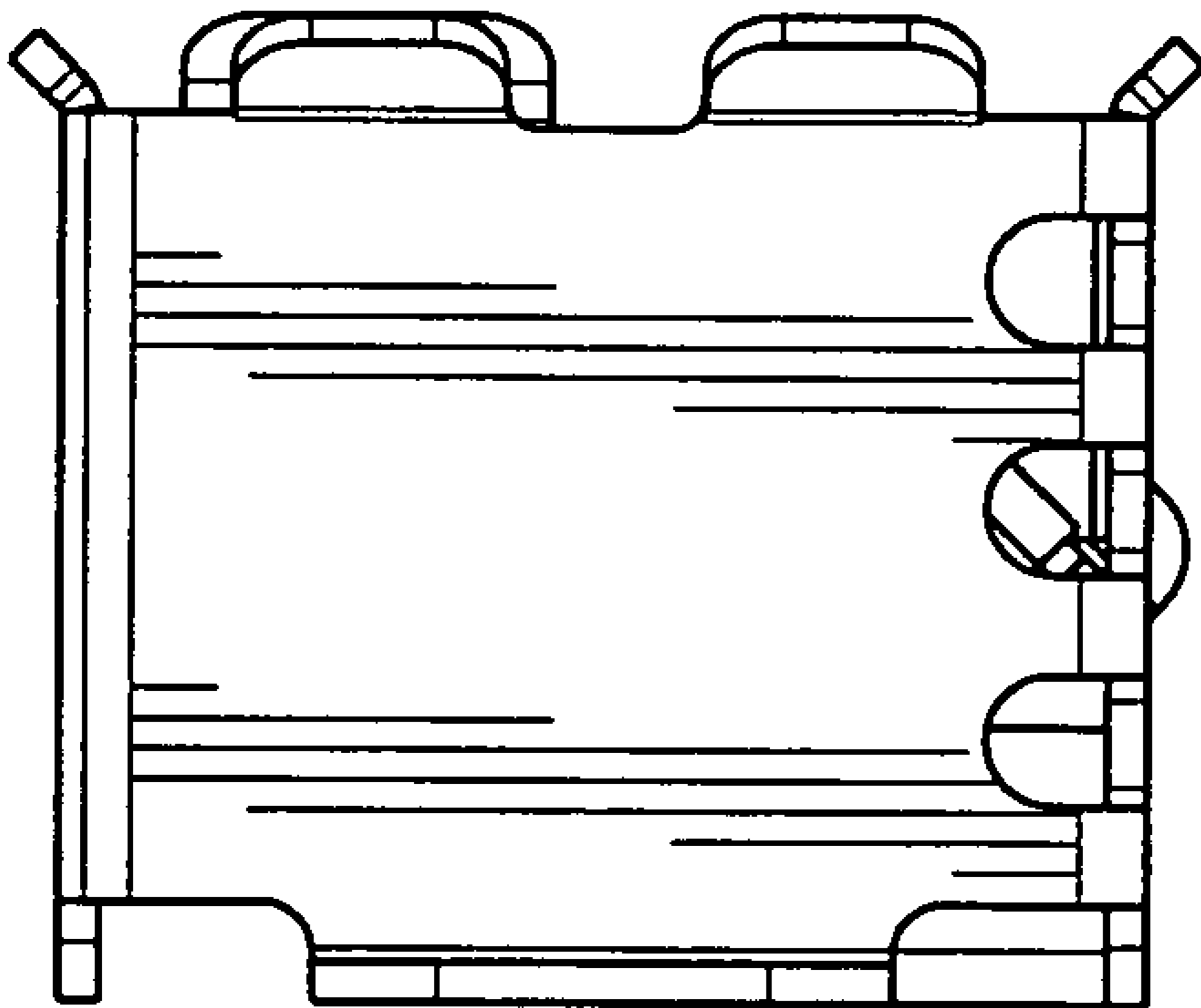


FIG. 7

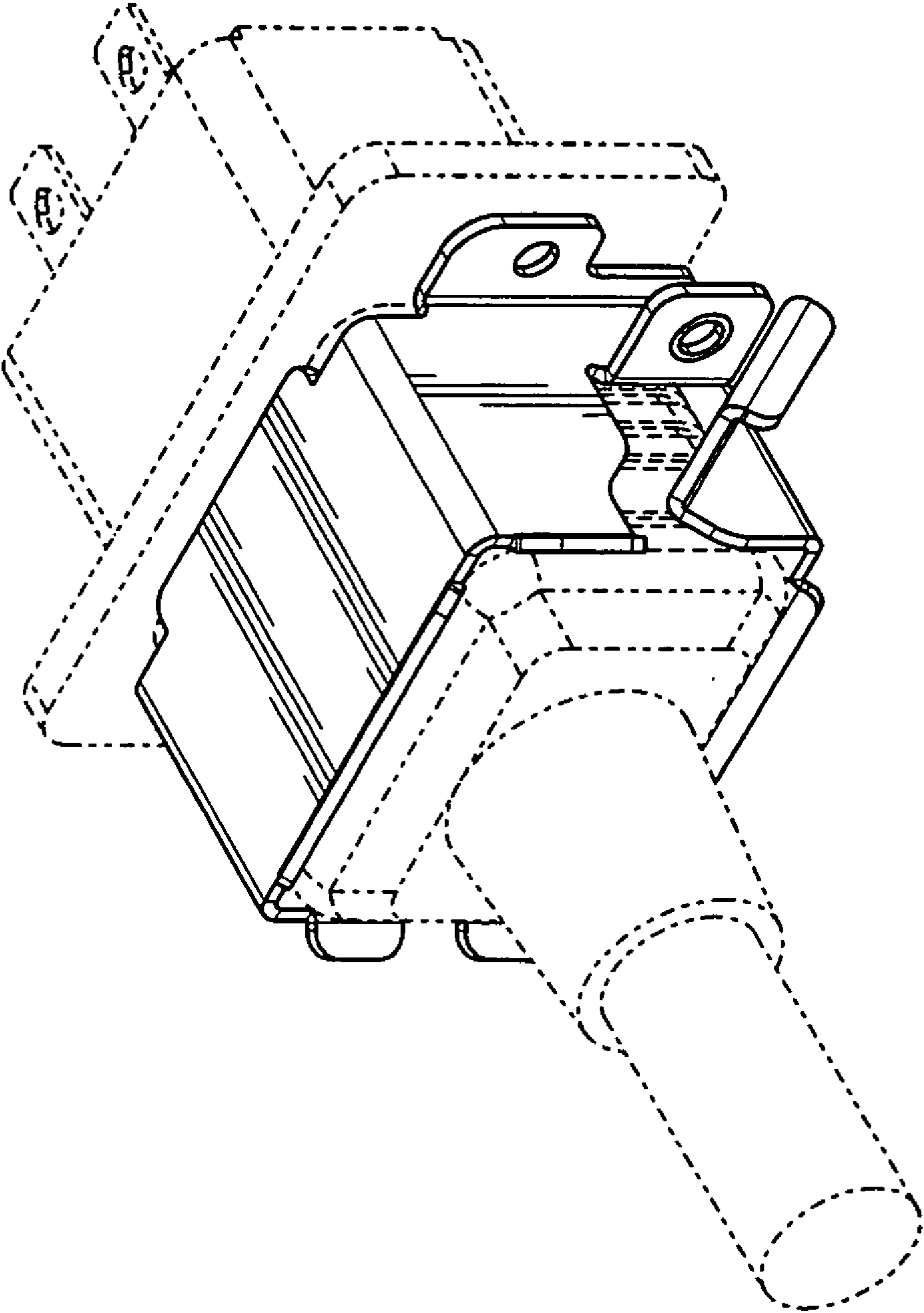


FIG. 8

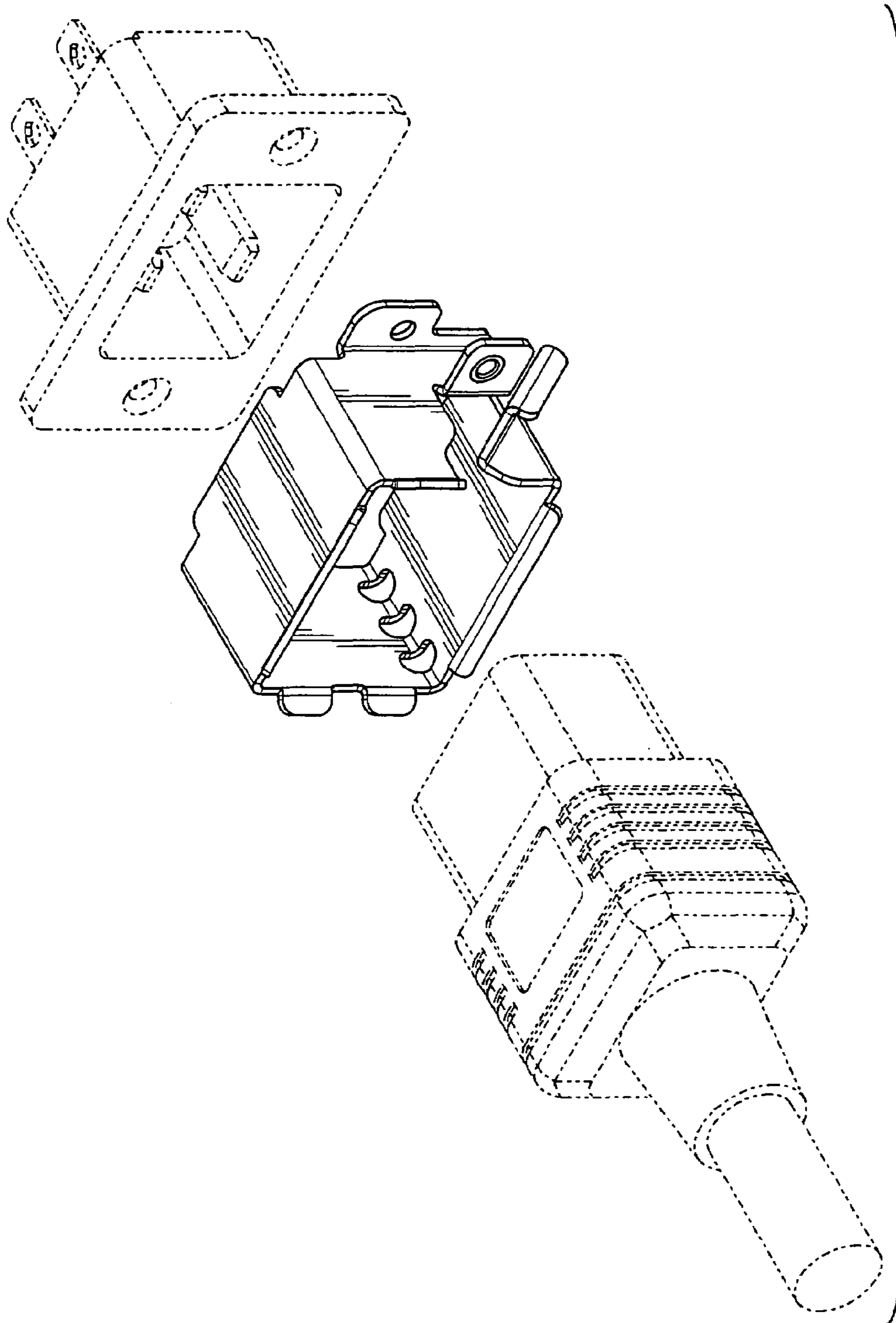


FIG. 9