



US00D549088S

(12) **United States Design Patent**
Gallien

(10) **Patent No.:** **US D549,088 S**

(45) **Date of Patent:** **** Aug. 21, 2007**

(54) **SELF-LOCATING WALL FASTENER**

(75) Inventor: **James M. Gallien**, Hidden Hills, CA (US)

(73) Assignee: **Hangman Products, Inc.**, Woodland Hills, CA (US)

(**) Term: **14 Years**

(21) Appl. No.: **29/241,353**

(22) Filed: **Oct. 26, 2005**

(51) **LOC (8) Cl.** **08-08**

(52) **U.S. Cl.** **D8/387; D8/391**

(58) **Field of Classification Search** D8/385,
D8/387, 388, 391; 411/178, 378, 393, 394,
411/402, 403, 407, 4, 80.1, 383, 411

See application file for complete search history.

(56) **References Cited**

U.S. PATENT DOCUMENTS

516,134 A	3/1894	Stilwell
984,969 A	2/1911	Reiniger
1,883,477 A	10/1932	Bash
2,234,907 A	3/1941	Williams
4,593,872 A	6/1986	Svensson
4,892,429 A	1/1990	Giannuzzi
5,039,262 A	8/1991	Giannuzzi
5,059,077 A	10/1991	Schmid
5,226,766 A	7/1993	Lasner

5,240,353 A	8/1993	Bower et al.
5,482,418 A	1/1996	Giannuzzi
5,625,994 A	5/1997	Giannuzzi
D381,892 S	8/1997	Porter et al.
5,833,415 A	11/1998	McSherry
6,264,677 B1	7/2001	Simon et al.
D455,338 S *	4/2002	Moser D8/387
6,419,436 B1	7/2002	Gaudron
D462,895 S	9/2002	Gaudron
D531,491 S *	11/2006	Liu D8/387

* cited by examiner

Primary Examiner—Holly H. Baynham

Assistant Examiner—Sheryl Friedman

(74) *Attorney, Agent, or Firm*—Stetina Brunda Garred & Brucker

(57) **CLAIM**

The ornamental design for a self-locating wall fastener, as shown and described.

DESCRIPTION

FIG. 1 is a top plan view of a self-locating wall fastener of the present invention showing my new design;

FIG. 2 is a left side elevational view thereof;

FIG. 3 is a bottom plan view thereof; and,

FIG. 4 is a front elevational view thereof.

1 Claim, 1 Drawing Sheet

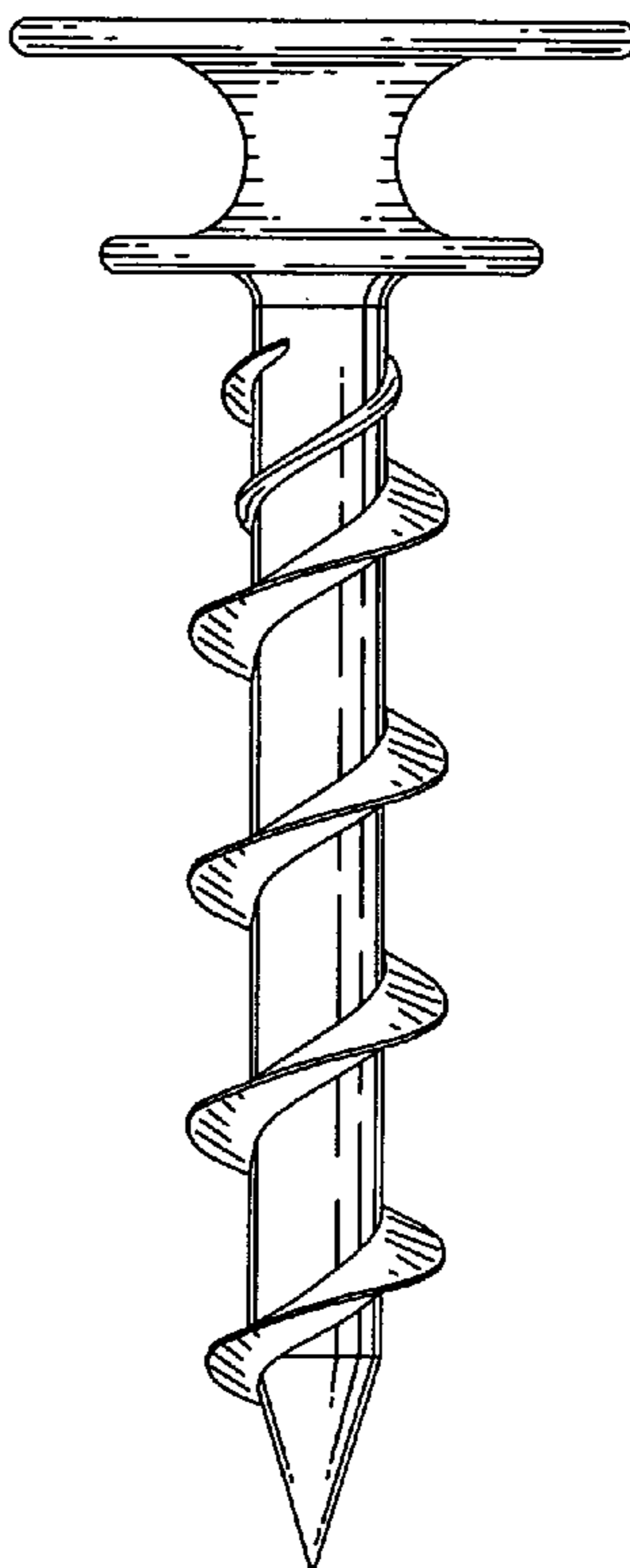


Fig. 1

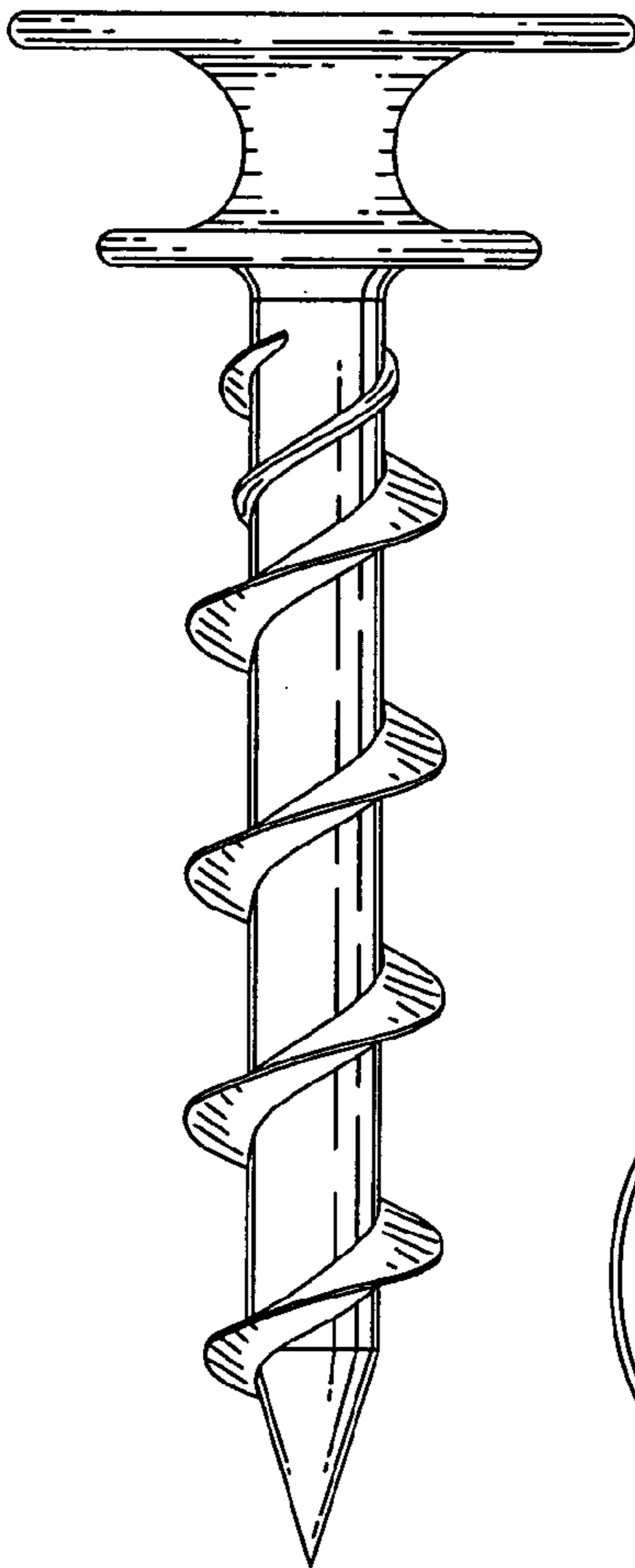
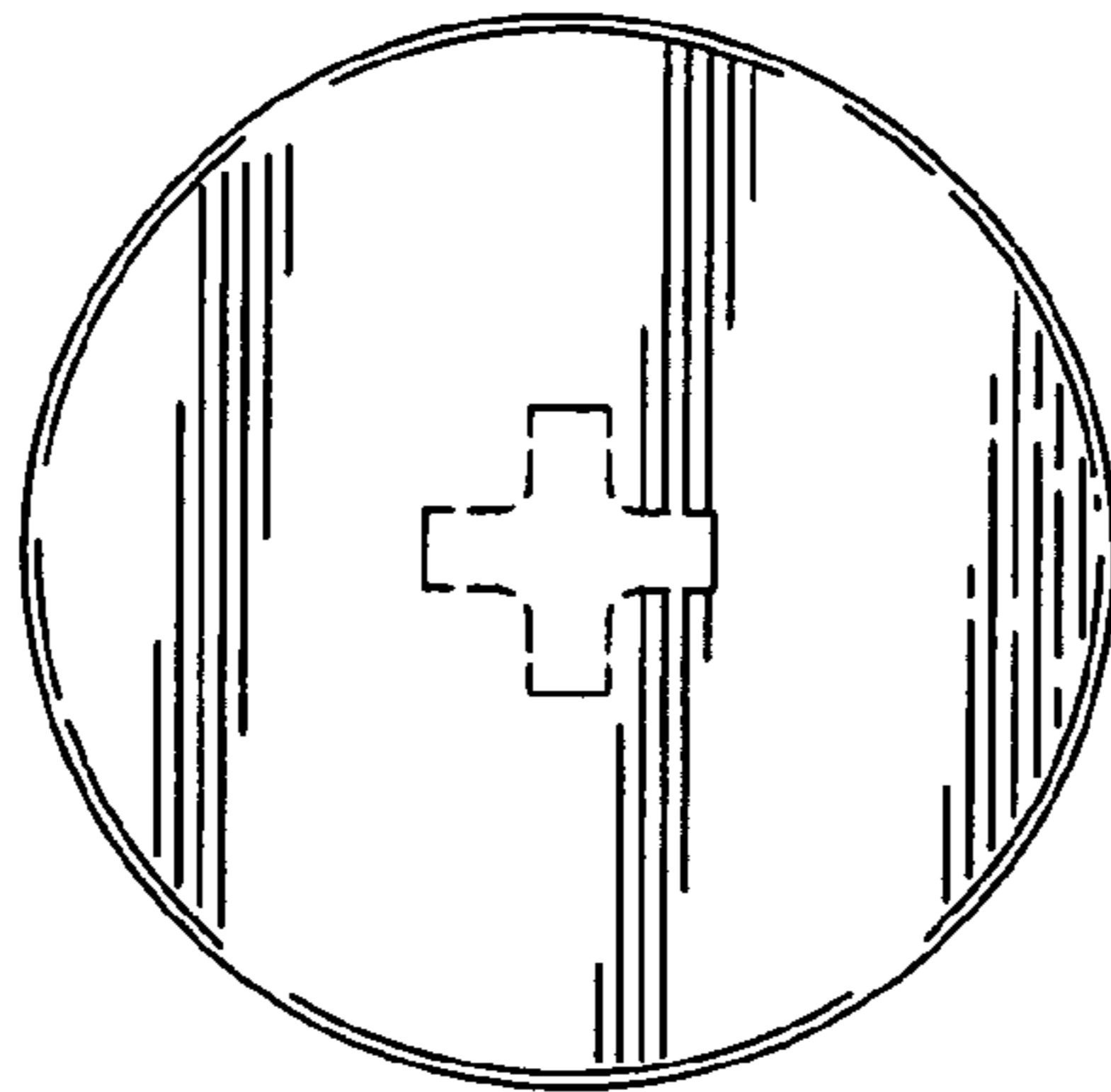


Fig. 2

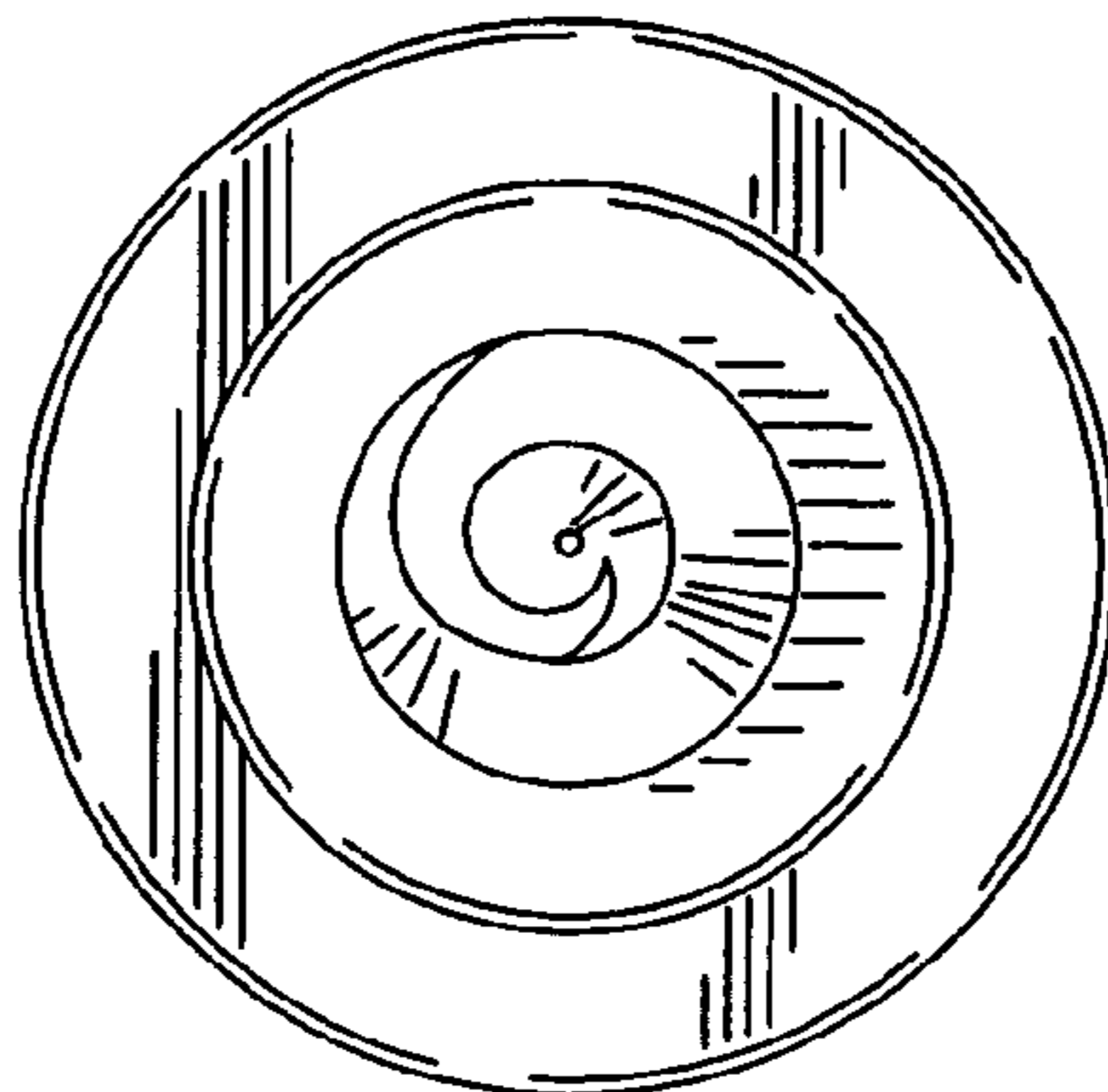


Fig. 3

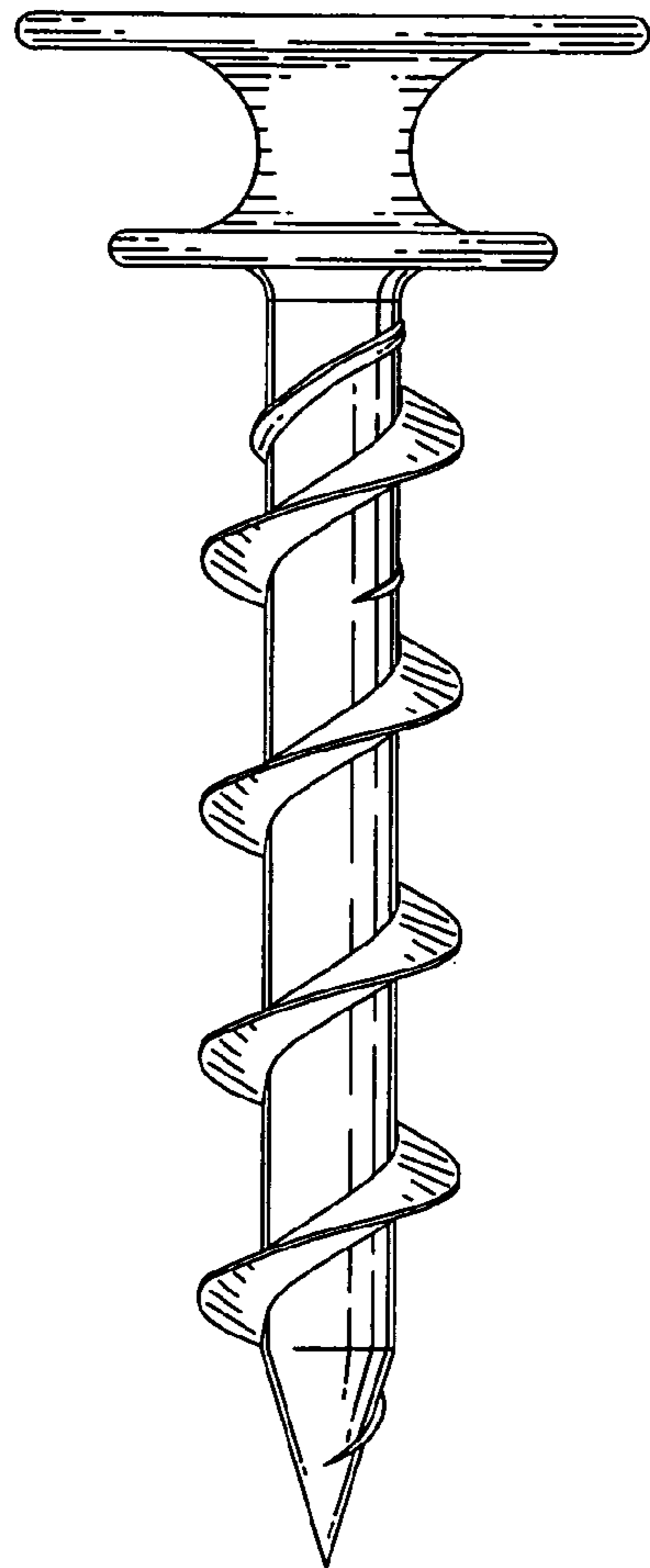


Fig. 4