



US00D549087S

(12) **United States Design Patent**  
**Pontaoe**

(10) **Patent No.:** **US D549,087 S**

(45) **Date of Patent:** **\*\* Aug. 21, 2007**

(54) **CORD LOCK**

D481,300 S \* 10/2003 Nezu ..... D8/383

D481,301 S \* 10/2003 Nezu ..... D8/383

D494,043 S \* 8/2004 Neil ..... D8/356

(75) Inventor: **John S. Pontaoe**, Chicago, IL (US)

(73) Assignee: **Illinois Tool Works Inc**, Glenview, IL (US)

\* cited by examiner

*Primary Examiner*—Louis S. Zarfaz

*Assistant Examiner*—John Windmuller

(74) *Attorney, Agent, or Firm*—Mark W. Croll; Paul F. Donovan

(\*\*) Term: **14 Years**

(21) Appl. No.: **29/270,878**

(22) Filed: **Jan. 5, 2007**

(57) **CLAIM**

(51) **LOC (8) Cl.** ..... **08-08**

The ornamental design for a cord lock, as shown and described herein.

(52) **U.S. Cl.** ..... **D8/383**

(58) **Field of Classification Search** ..... D8/330–348,  
D8/382, 383; 24/115 R, 115 H, 115 M,  
24/115 G, 115 K, 129 R  
See application file for complete search history.

**DESCRIPTION**

FIG. 1 is a perspective view of a cord lock showing my new design;

FIG. 2 is a front elevational view thereof,

FIG. 3 is a side elevational view thereof, the opposite side elevational view being identical;

FIG. 4 is a top plan view thereof; and,

FIG. 5 is a bottom plan view thereof.

The broken line portions of the disclosure are for illustrative purposes only and form no part of the claimed design.

(56) **References Cited**

U.S. PATENT DOCUMENTS

4,453,292	A *	6/1984	Bakker	.....	24/115 G
4,506,417	A *	3/1985	Hara	.....	24/115 G
D343,570	S *	1/1994	Meier	.....	D8/383
D373,076	S *	8/1996	Ikeda	.....	D8/383
D399,045	S *	10/1998	Liston	.....	D2/978
D417,388	S *	12/1999	Kawahara	.....	D8/383
D429,625	S *	8/2000	Sikkila et al.	.....	D8/354
D430,484	S *	9/2000	Ikeda	.....	D8/383

**1 Claim, 3 Drawing Sheets**

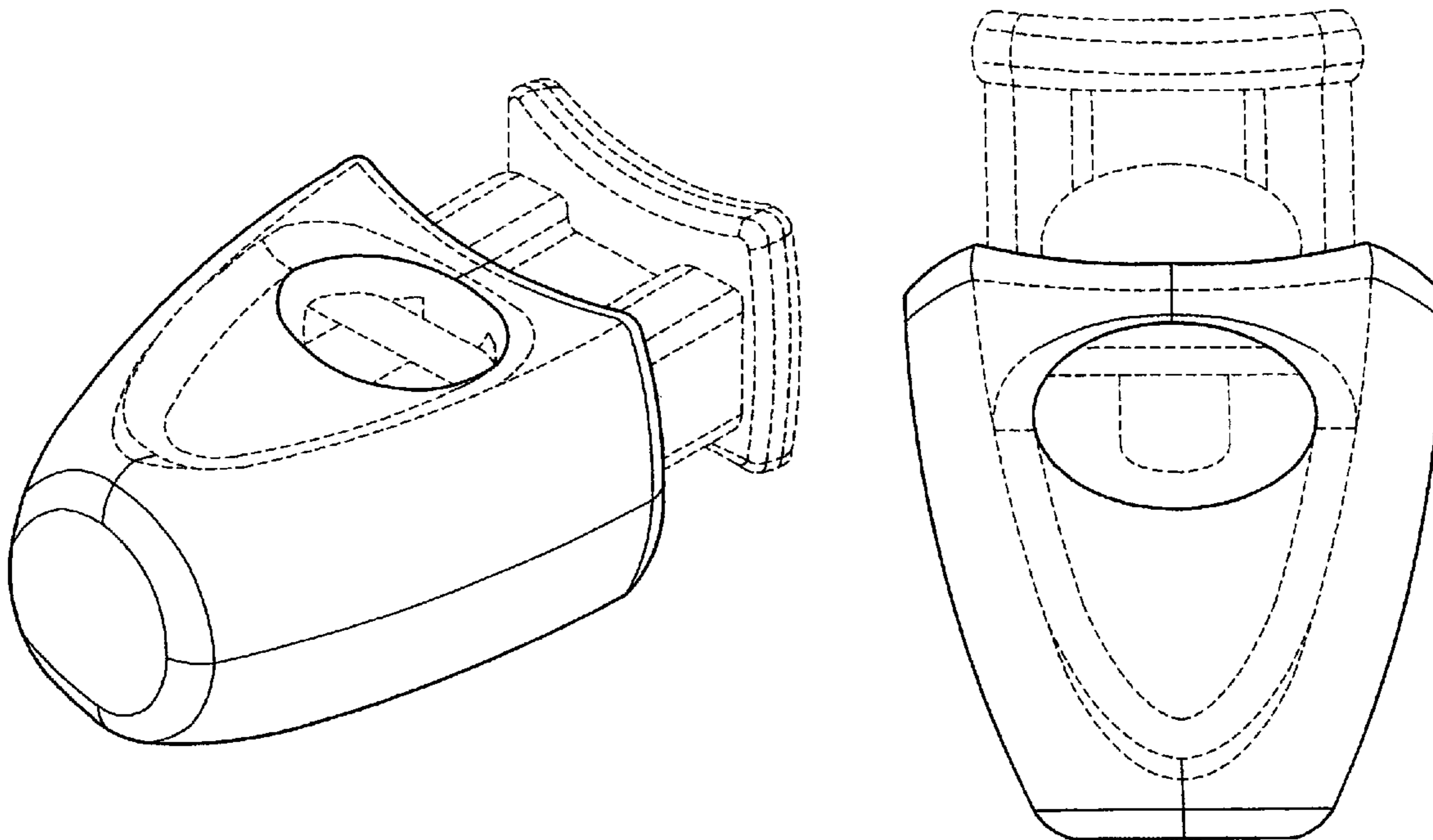


FIG. 1

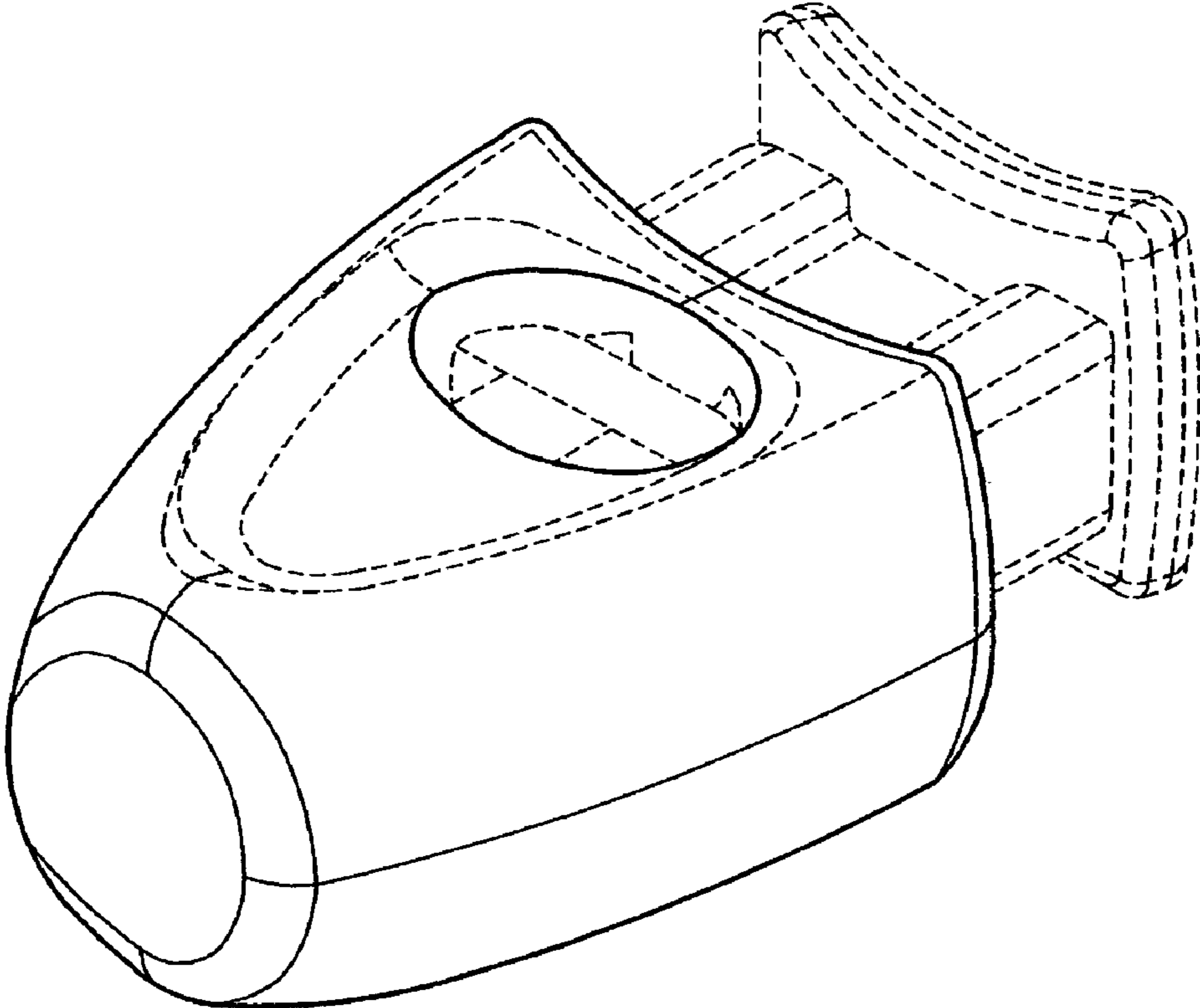


FIG. 2

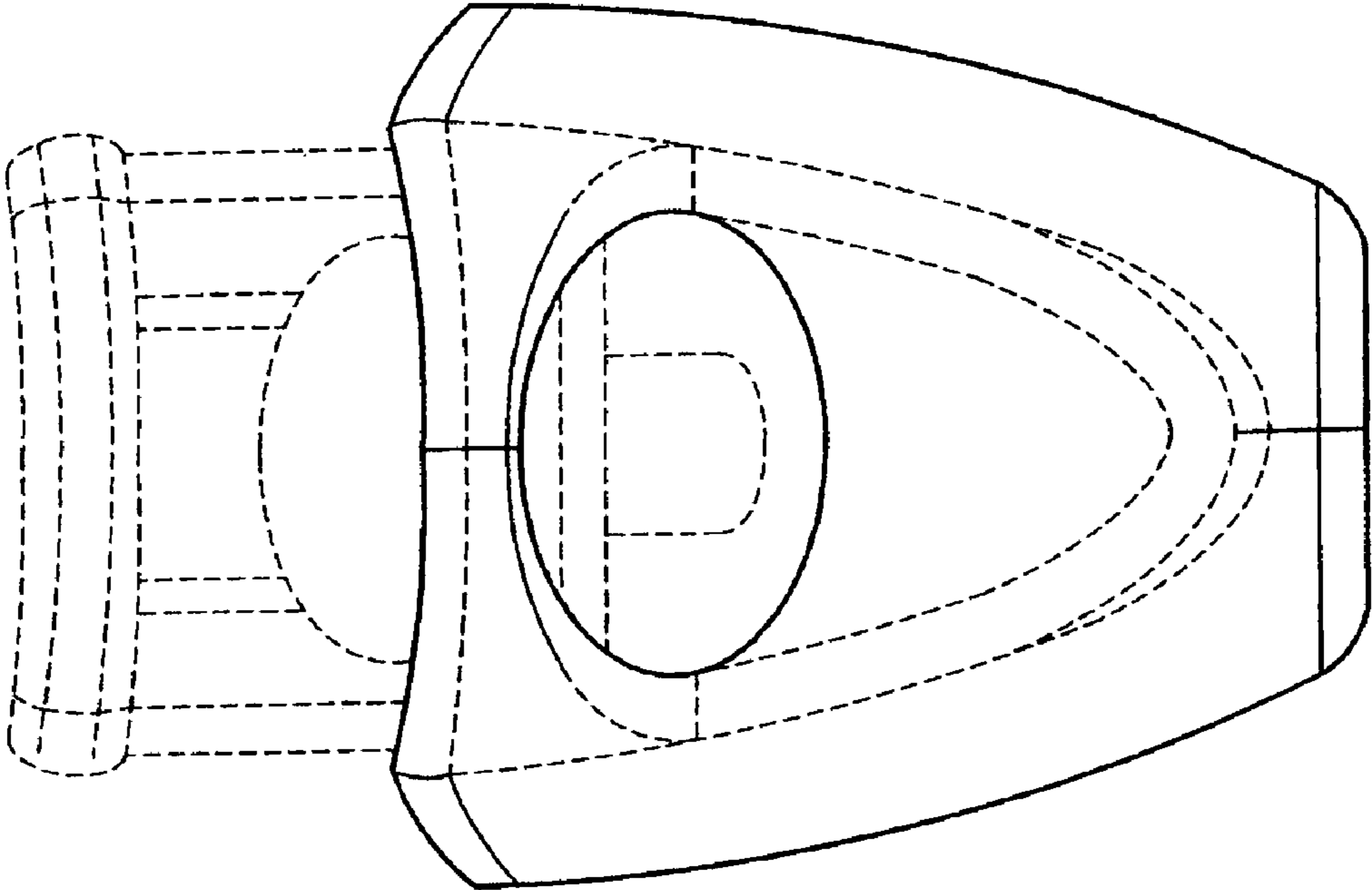


FIG. 3

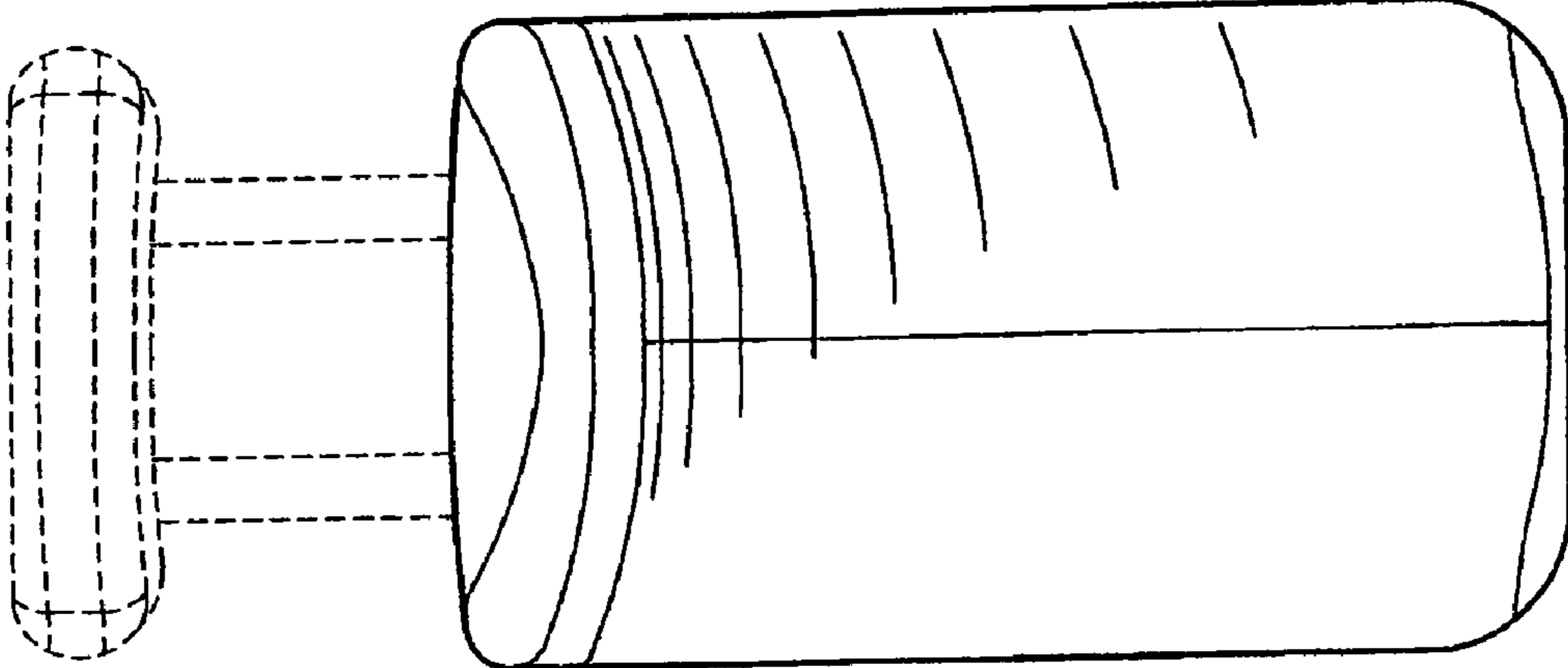


FIG. 4

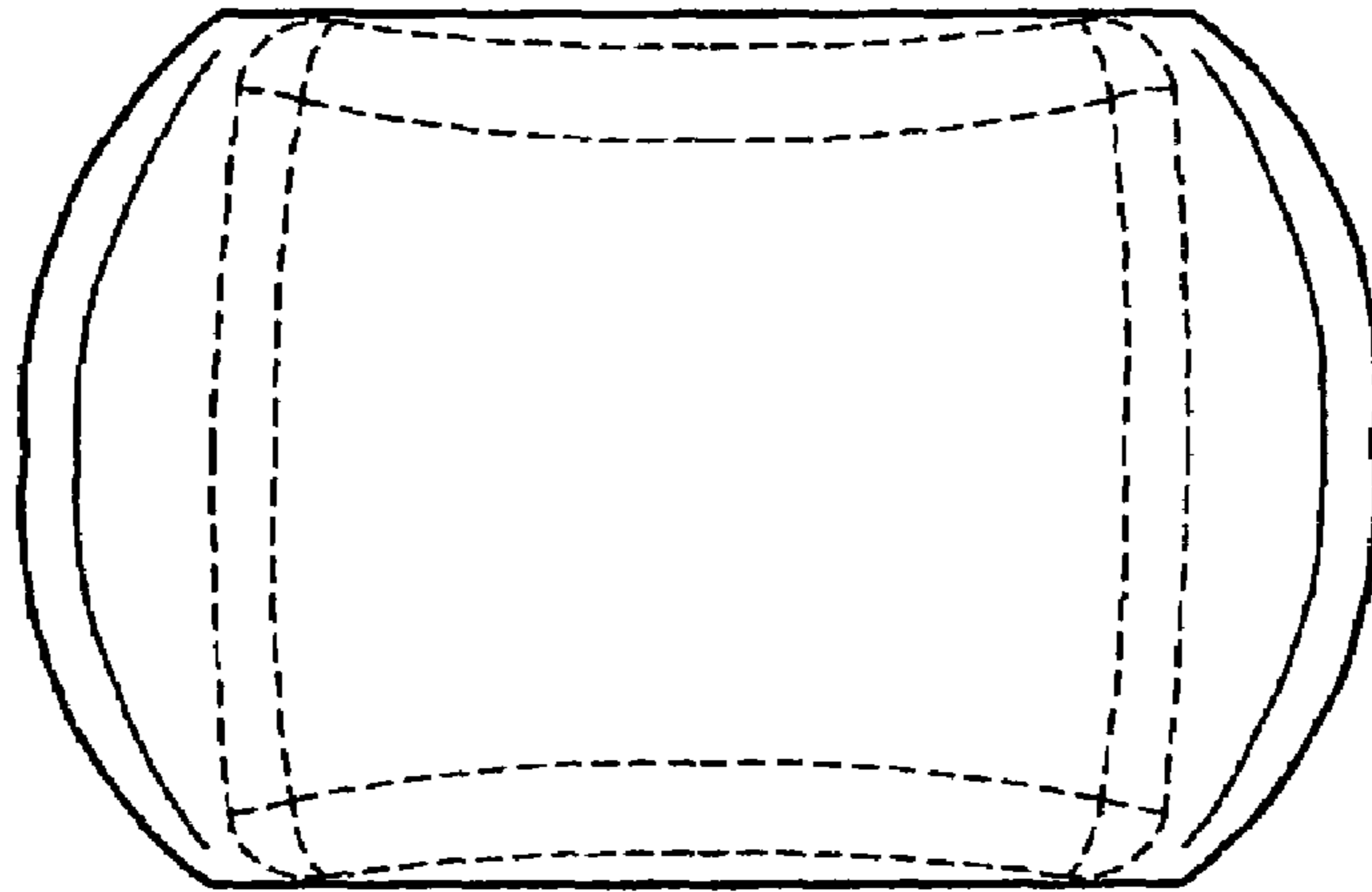


FIG. 5

