



US00D549074S

(12) **United States Design Patent**
Devine

(10) **Patent No.:** **US D549,074 S**

(45) **Date of Patent:** **** Aug. 21, 2007**

(54) **POST MOUNTED ATTACHMENT TO
FUNCTION AS A BICYCLE LOCK**

D398,830 S * 9/1998 Winner D8/333
6,484,888 B2 * 11/2002 Miller 211/5

(76) Inventor: **J. Douglass Devine**, 1947 Tamarack
St., Westlake Village, CA (US) 91361

* cited by examiner

Primary Examiner—Mitchell Siegel

(**) Term: **14 Years**

(74) *Attorney, Agent, or Firm*—Jack C. Munro; Sandy
Lipkin

(21) Appl. No.: **29/237,475**

(57) **CLAIM**

(22) Filed: **Aug. 31, 2005**

The ornamental design for a post mounted attachment to
function as a bicycle lock, as shown and described.

(51) **LOC (8) Cl.** **08-07**

(52) **U.S. Cl.** **D8/331**

(58) **Field of Classification Search** D8/330–348;
211/5, 21, 19; 248/303, 551; 70/227, 235,
70/163, 164

DESCRIPTION

See application file for complete search history.

FIG. 1 is a front elevational view of the post mounted
attachment to function as a bicycle lock showing my new
design;

(56) **References Cited**

FIG. 2 is a rear elevational view thereof;

U.S. PATENT DOCUMENTS

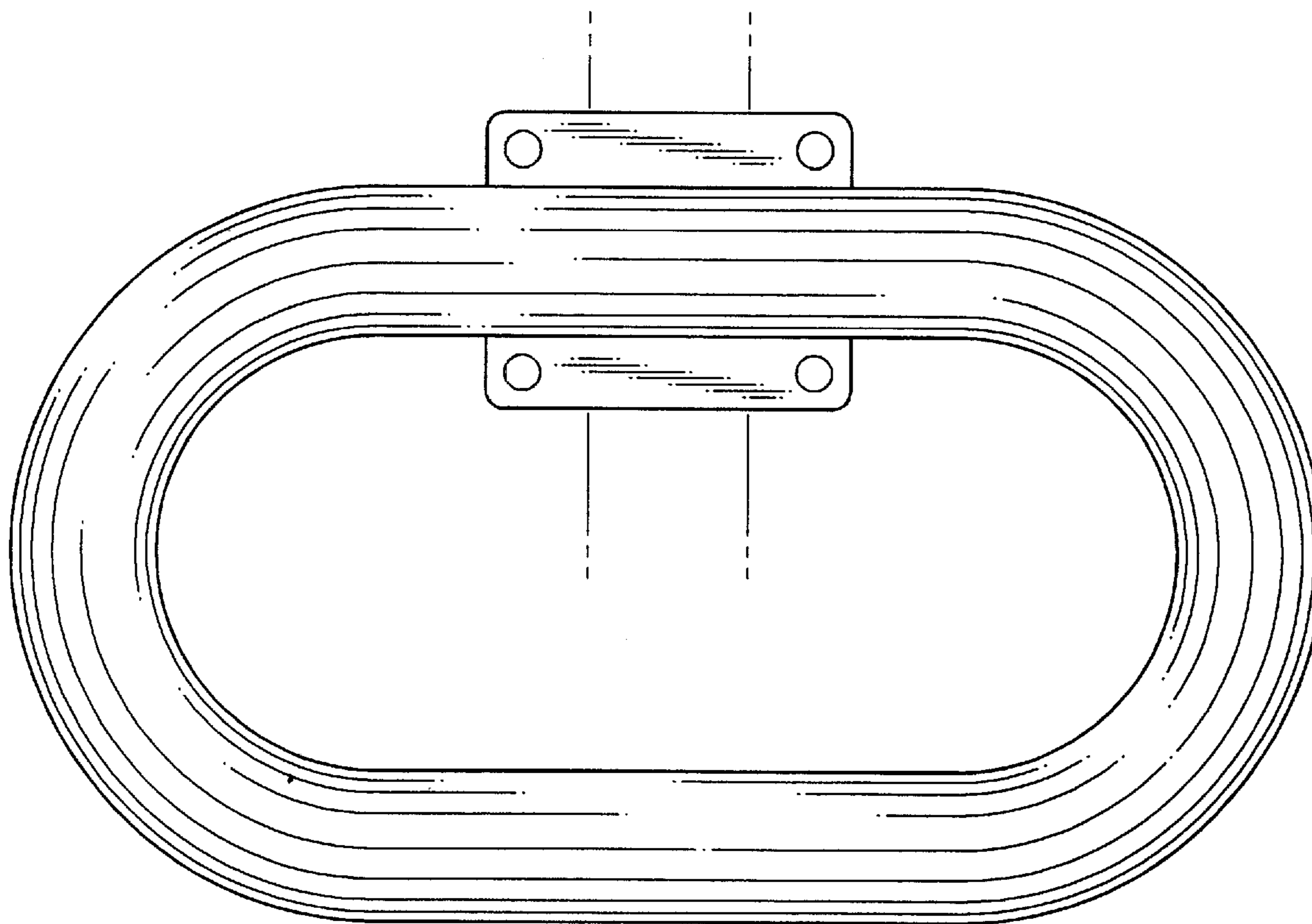
FIG. 3 is a top plan view thereof with the bottom plan view
being identical;

4,352,432 A *	10/1982	Smith	211/19
D274,977 S *	8/1984	Devine	D8/331
D284,447 S *	7/1986	Webster	D8/331
D351,778 S *	10/1994	Kuo	D8/333
D389,032 S *	1/1998	Lu	D8/333

FIG. 4 is a left side view thereof; and,

FIG. 5 is a right side view thereof.

1 Claim, 3 Drawing Sheets



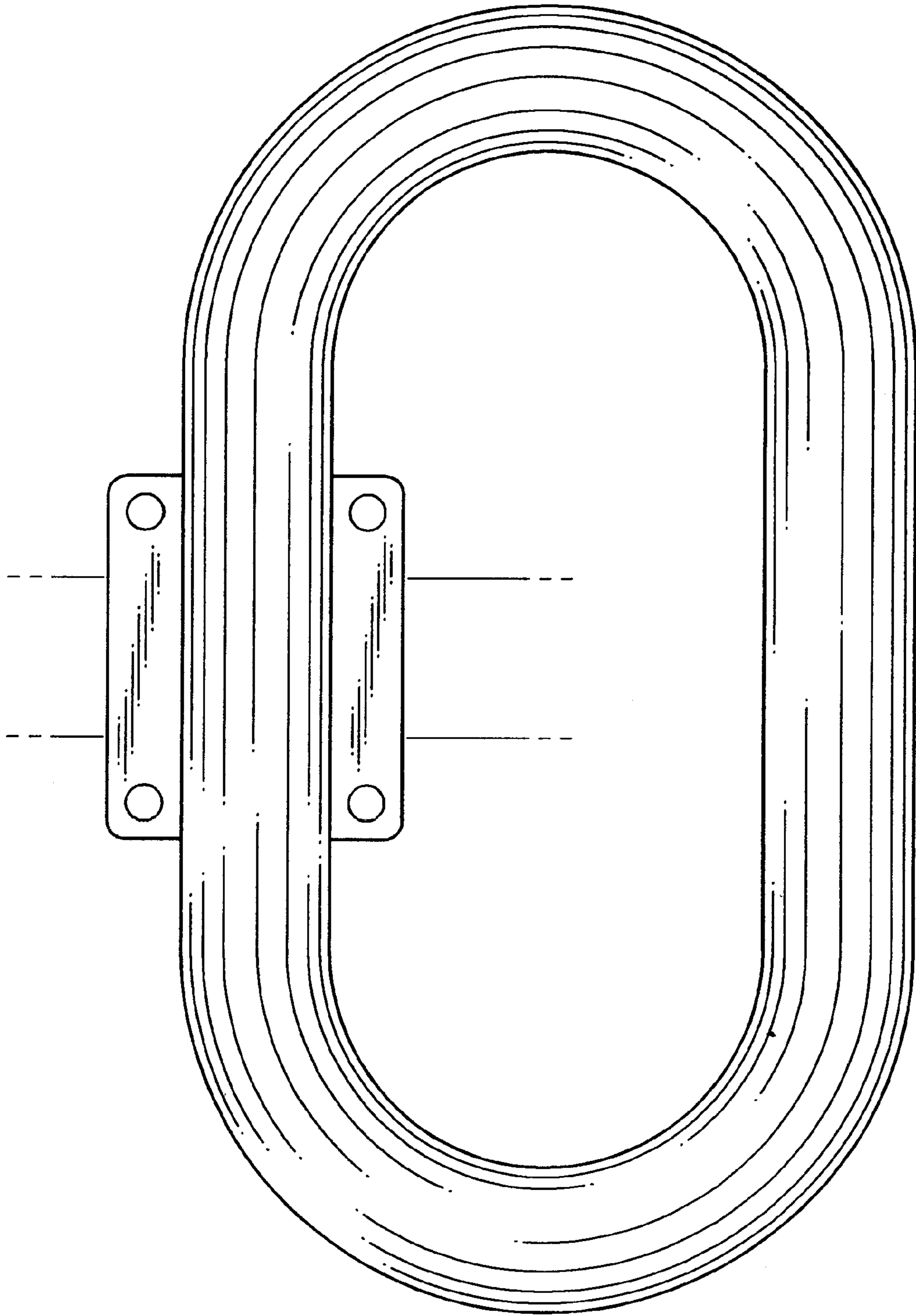


FIG. 1

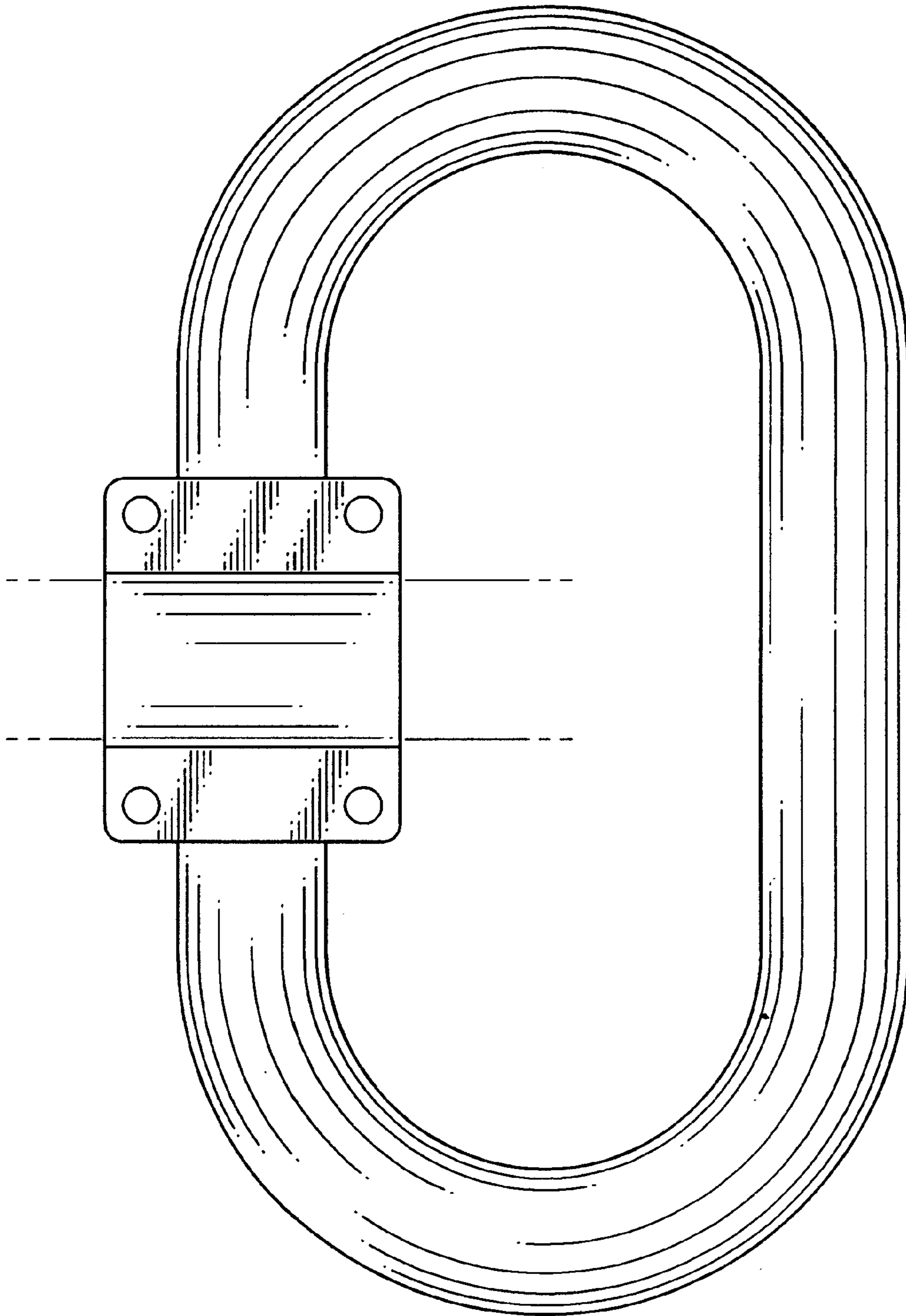


FIG. 2

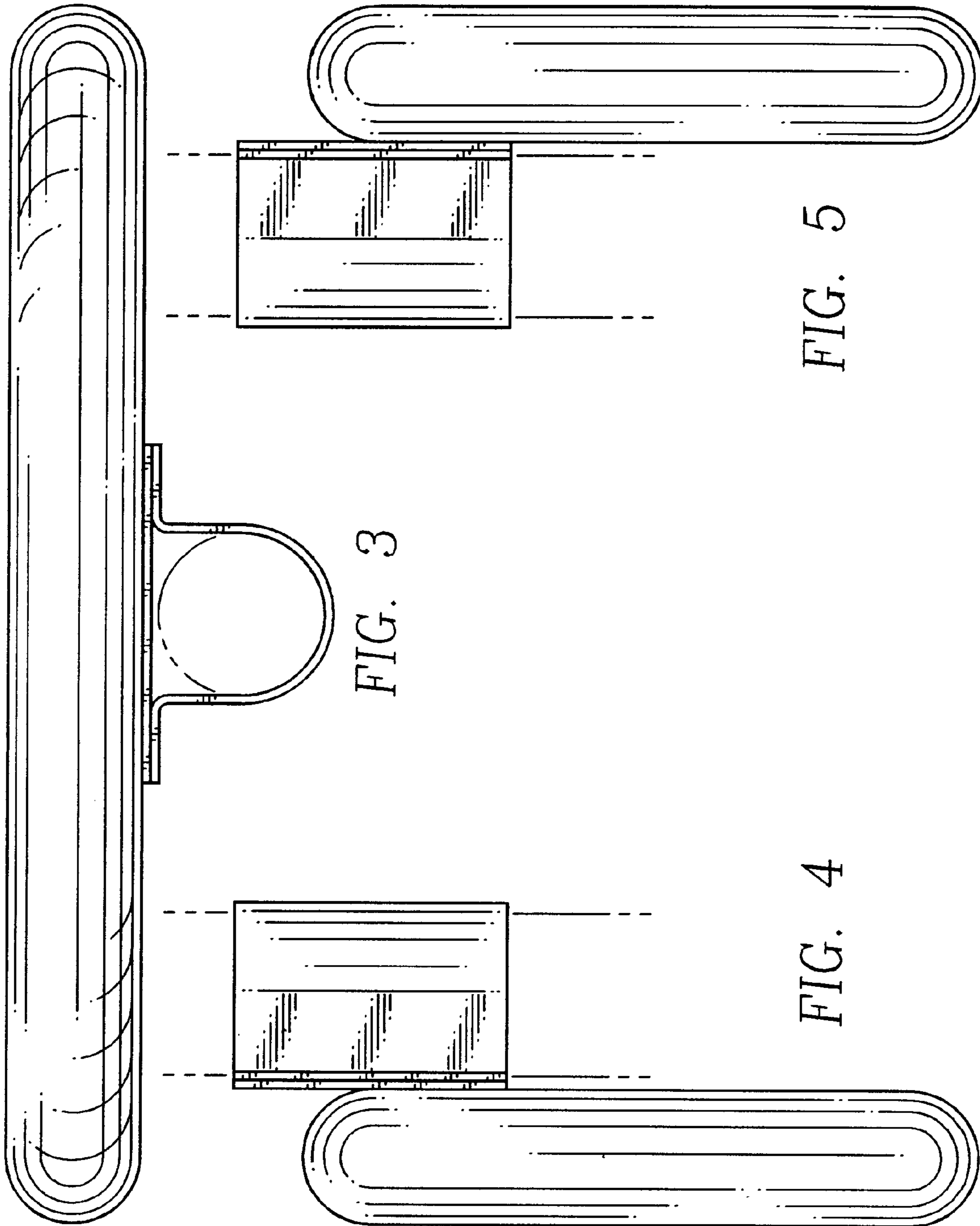


FIG. 3

FIG. 4

FIG. 5