



US00D549071S

(12) **United States Design Patent**
Nakamura

(10) **Patent No.:** **US D549,071 S**

(45) **Date of Patent:** **** Aug. 21, 2007**

(54) **HANDLE FOR A PAPER CUTTER**

(75) Inventor: **Tomoyoshi Nakamura**, Kamagaya (JP)

(73) Assignee: **Carl Manufacturing Co., Ltd.**, Tokyo (JP)

(**) Term: **14 Years**

(21) Appl. No.: **29/217,661**

(22) Filed: **Nov. 19, 2004**

(30) **Foreign Application Priority Data**

Jun. 15, 2004 (JP) 2004-017777

(51) **LOC (8) Cl.** **08-06**

(52) **U.S. Cl.** **D8/300; D18/34.9**

(58) **Field of Classification Search** D18/34.7,
D18/34.8, 34.9, 51, 98; D3/282; 83/605;
312/236; 190/117; D14/242; 297/452,
297/42; D10/64, 65; 30/151, 292

See application file for complete search history.

(56) **References Cited**

U.S. PATENT DOCUMENTS

| | | | | | | |
|-----------|----|---|---------|---------------|-------|----------|
| D218,313 | S | * | 8/1970 | Rice | | D14/242 |
| 3,891,070 | A | * | 6/1975 | Montanari | | 190/117 |
| 4,012,089 | A | * | 3/1977 | Ward | | 312/236 |
| D300,988 | S | * | 5/1989 | Melk | | D3/282 |
| D321,368 | S | * | 11/1991 | Beno | | D18/34.7 |
| 7,011,008 | B2 | * | 3/2006 | McLean et al. | | 83/605 |

* cited by examiner

Primary Examiner—Paula A. Greene

(74) *Attorney, Agent, or Firm*—Wood, Phillips, Katz, Clark & Mortimer

(57) **CLAIM**

The ornamental design for a handle for a paper cutter, as shown and described.

DESCRIPTION

FIG. 1 is a front, top and side perspective view of a handle for a paper cutter showing my new design;

FIG. 2 is a top view thereof;

FIG. 3 is a bottom view thereof;

FIG. 4 is a rear elevation view thereof;

FIG. 5 is a front elevation view thereof;

FIG. 6 is a side view thereof from the same side as in FIG. 1; and,

FIG. 7 is an elevation view thereof from the side opposite that in FIG. 1.

The broken line(s) immediately adjacent the shaded areas represent the bounds of the claimed design while all other broken lines are directed to environment and are for illustrative purposes only; the broken lines form no part of the claimed design thereof.

1 Claim, 4 Drawing Sheets

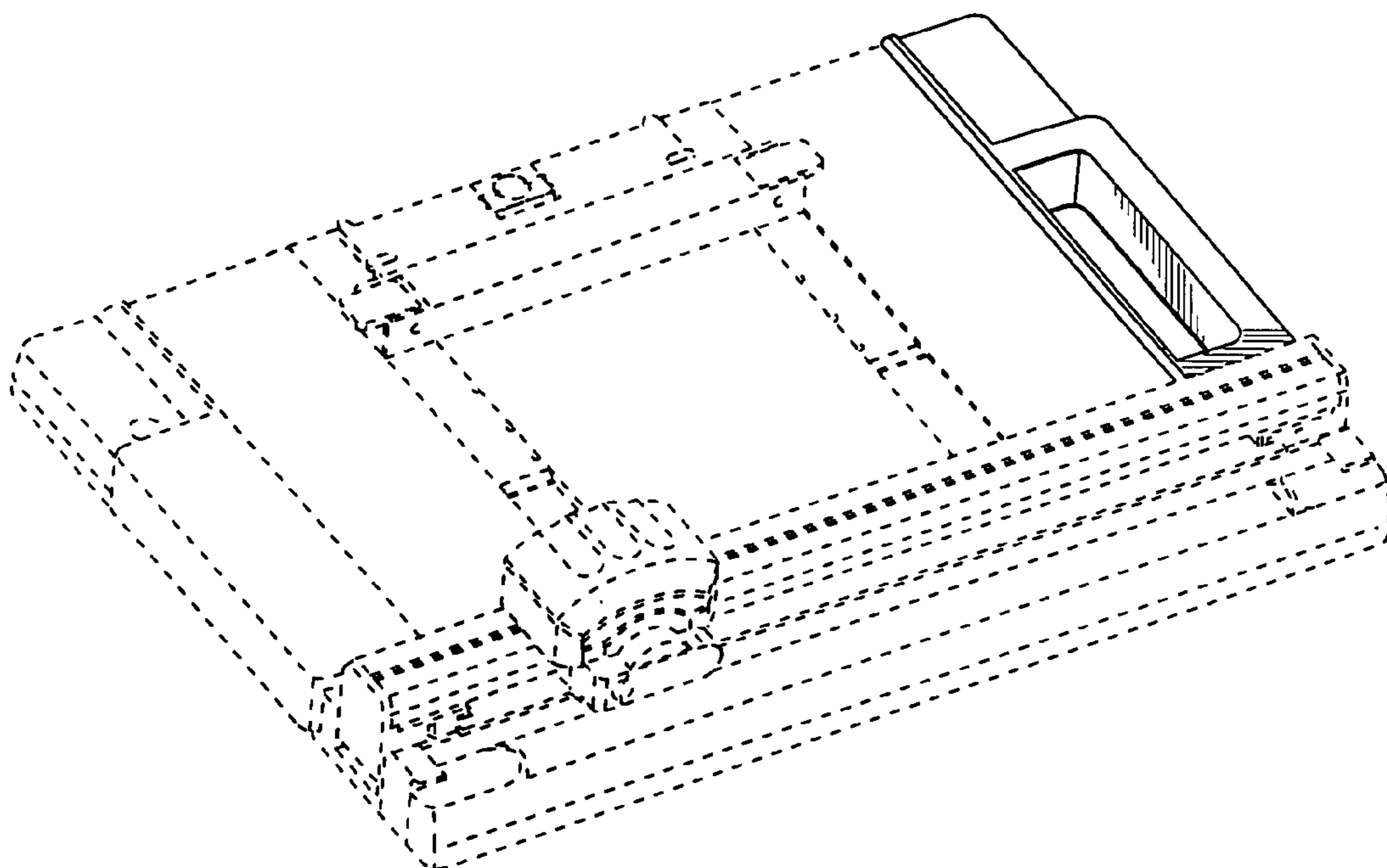


Fig. 1

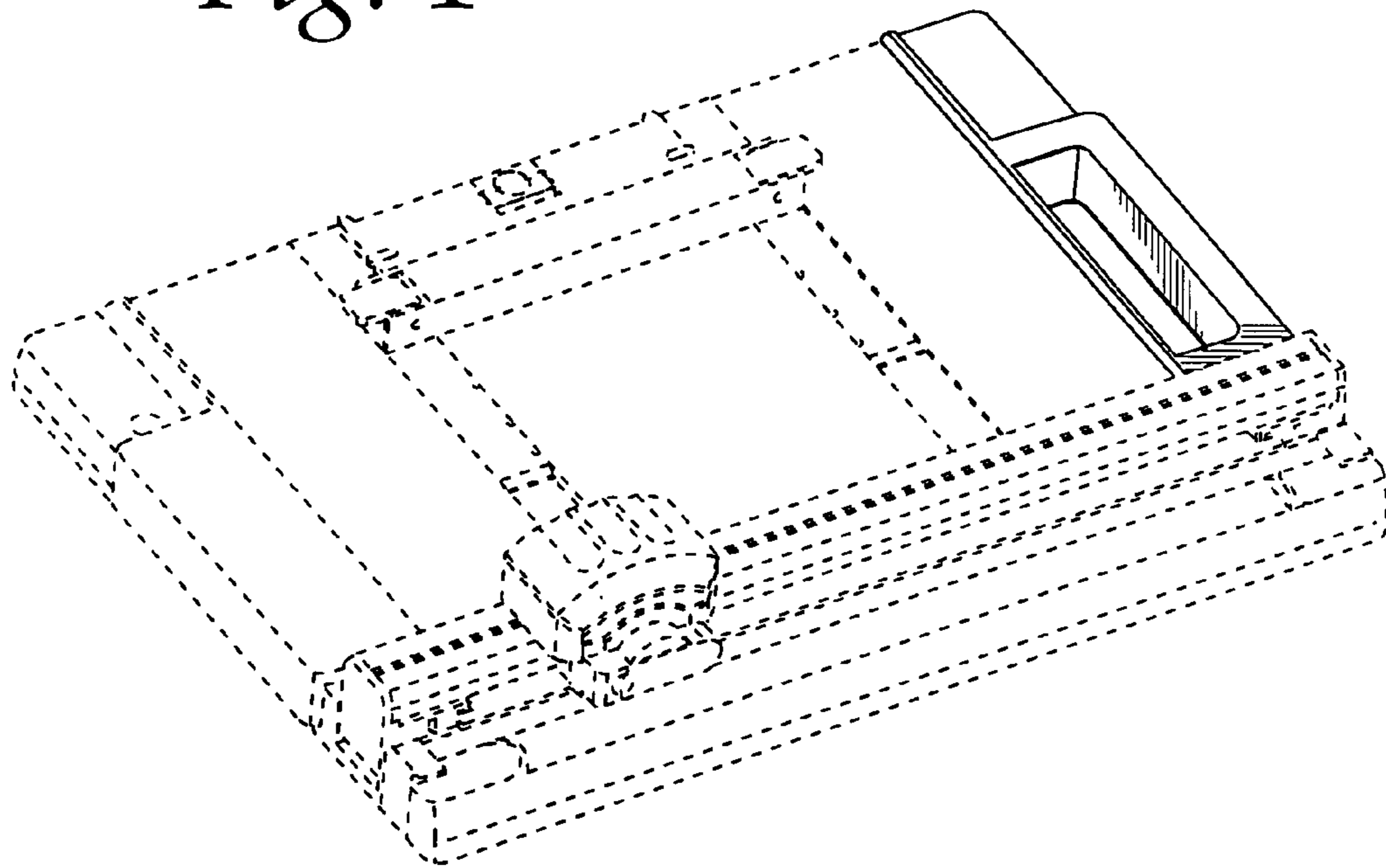


Fig. 2

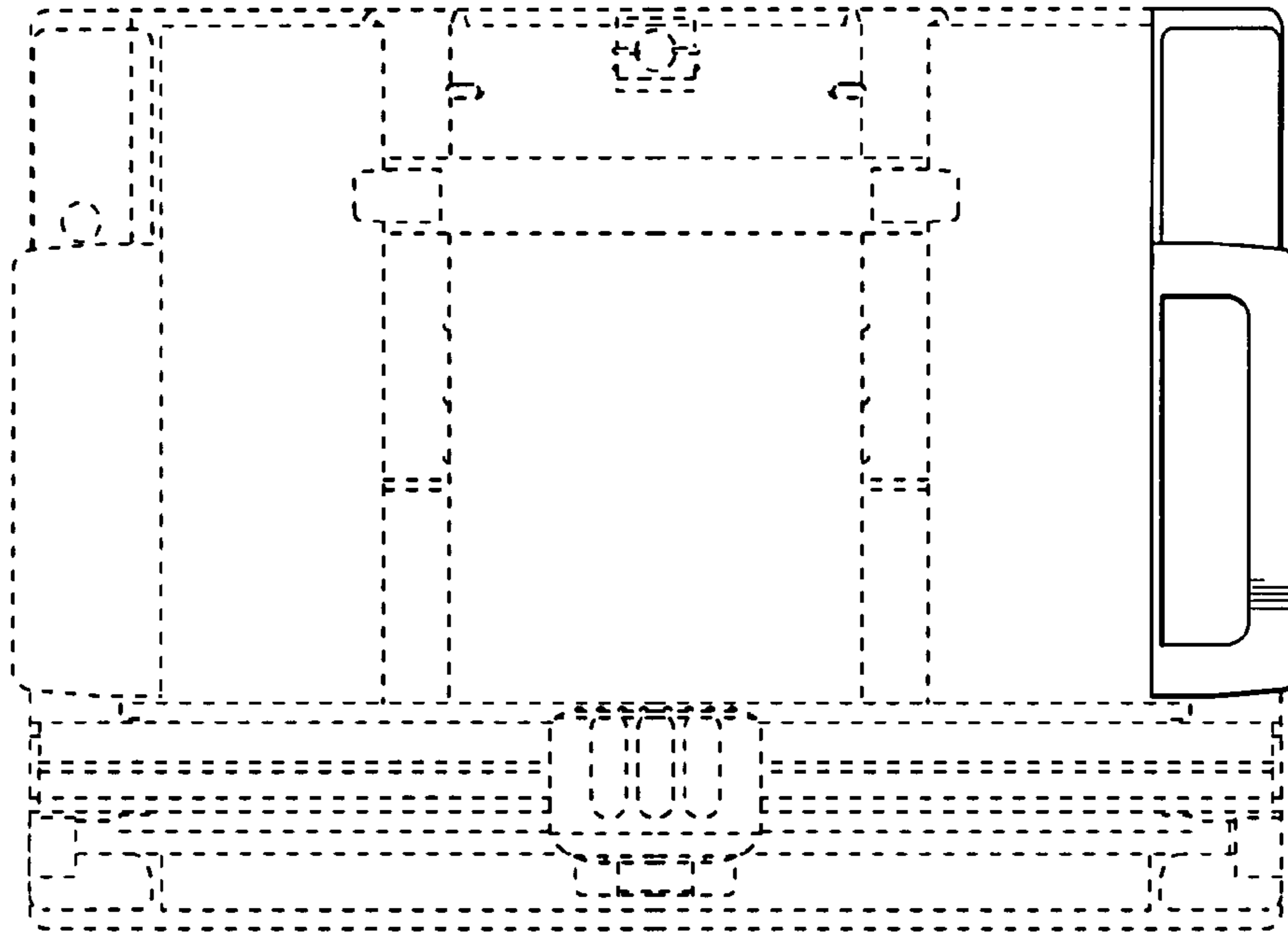


Fig. 3

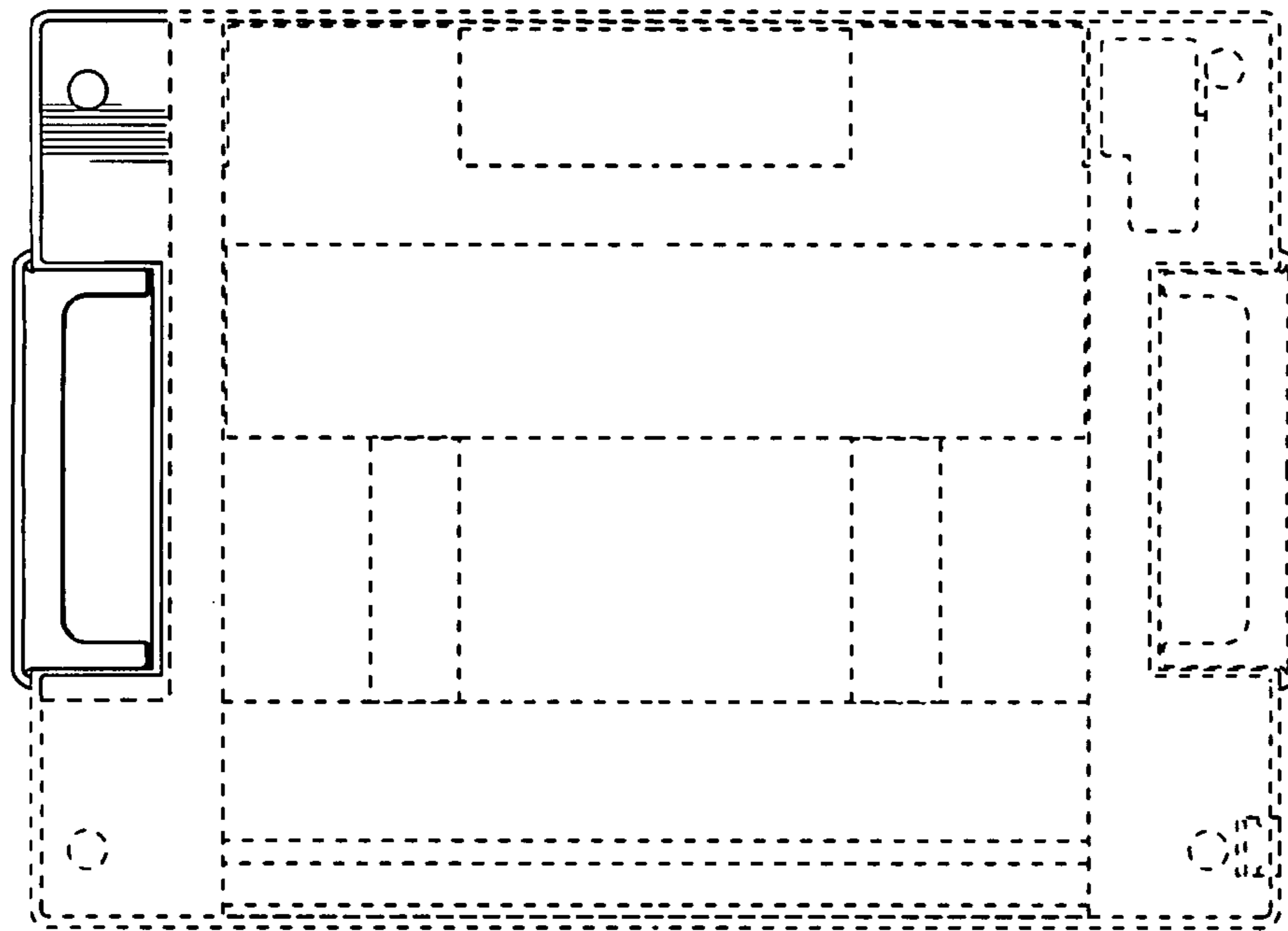


Fig. 4

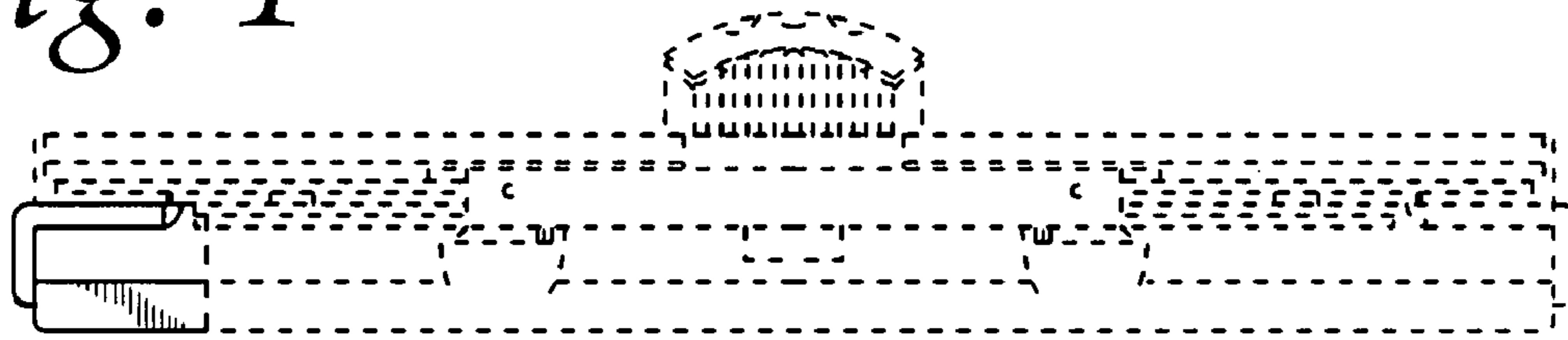


Fig. 5

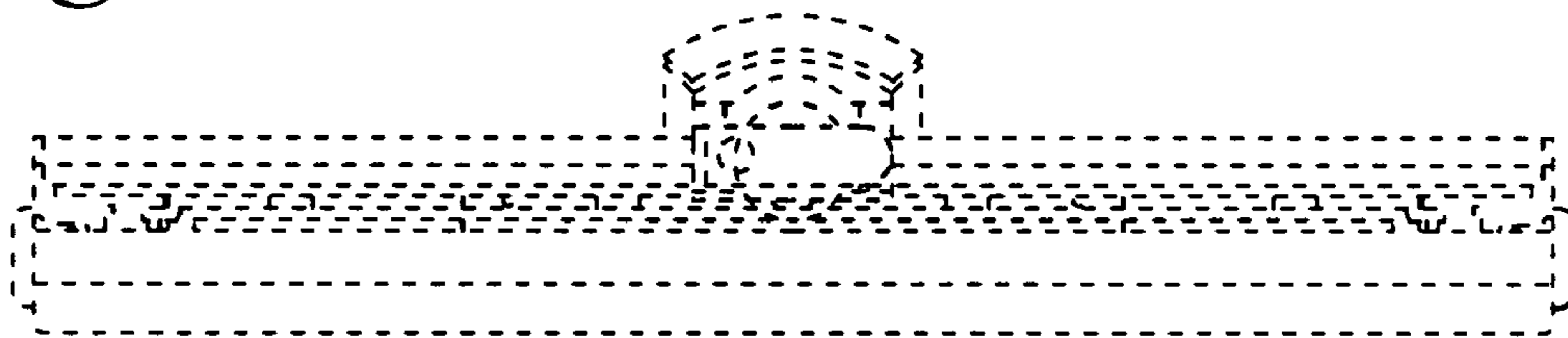


Fig. 6

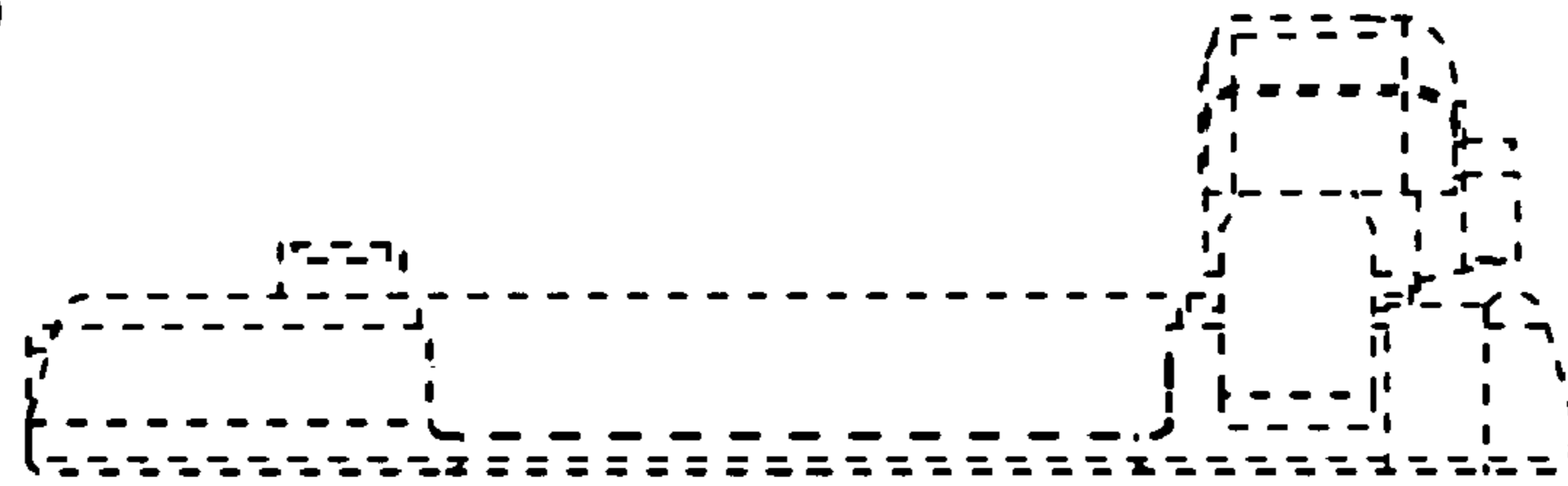


Fig. 7

