

US00D549069S

(12) **United States Design Patent**  
**Lin et al.**

(10) **Patent No.: US D549,069 S**

(45) **Date of Patent: \*\* Aug. 21, 2007**

(54) **HAND TOOL**

(76) Inventors: **Henry Lin**, 3F, No.329, Lund-Chiang Rd., Taipei City (TW); **Tsung-Kai Cheng**, 4F, No.8, Alley 5, Lane 197, Zhongshan 1st Rd., Luzhou City, Taipei County (TW)

(\*\*) Term: **14 Years**

(21) Appl. No.: **29/243,611**

(22) Filed: **Nov. 29, 2005**

(51) **LOC (8) Cl. .... 08-05**

(52) **U.S. Cl. .... D8/105**

(58) **Field of Classification Search** ..... D8/99,  
D8/58, 55, 52, 356, 107, 105; D19/65; 81/440,  
81/427.5; 7/160, 138, 128, 118; 30/298.4,  
30/162, 161, 155; D26/37-50; 362/157,  
362/158, 183, 184, 187; D10/5, 68  
See application file for complete search history.

(56) **References Cited**

**U.S. PATENT DOCUMENTS**

D294,065 S *	2/1988	Wan .....	D26/38
D364,694 S *	11/1995	Silvia .....	D26/38
D403,093 S *	12/1998	Tseng .....	D26/38
D408,256 S *	4/1999	Maxcy .....	D8/99
D419,252 S *	1/2000	Kit .....	D26/38
D435,141 S *	12/2000	Reynolds .....	D27/142
D448,267 S *	9/2001	Jean et al. ....	D8/105

D472,335 S *	3/2003	Chan .....	D26/38
D472,931 S *	4/2003	Leins .....	D19/65
D494,438 S *	8/2004	Falkenstein et al. ....	D8/105
D504,737 S *	5/2005	Osiecki et al. ....	D26/37
D520,660 S *	5/2006	Yuen .....	D26/38
D532,915 S *	11/2006	Yuen .....	D26/38

\* cited by examiner

*Primary Examiner*—Cathron C. Brooks

*Assistant Examiner*—Austin Murphy

(74) *Attorney, Agent, or Firm*—Birch, Stewart, Kolasch & Birch, LLP

(57) **CLAIM**

The ornamental design for “hand tool,” as shown and described.

**DESCRIPTION**

FIG. 1 is a perspective view of “hand tool” showing our new design thereof;

FIG. 2 is a right side elevational view thereof;

FIG. 3 is a top plan view thereof;

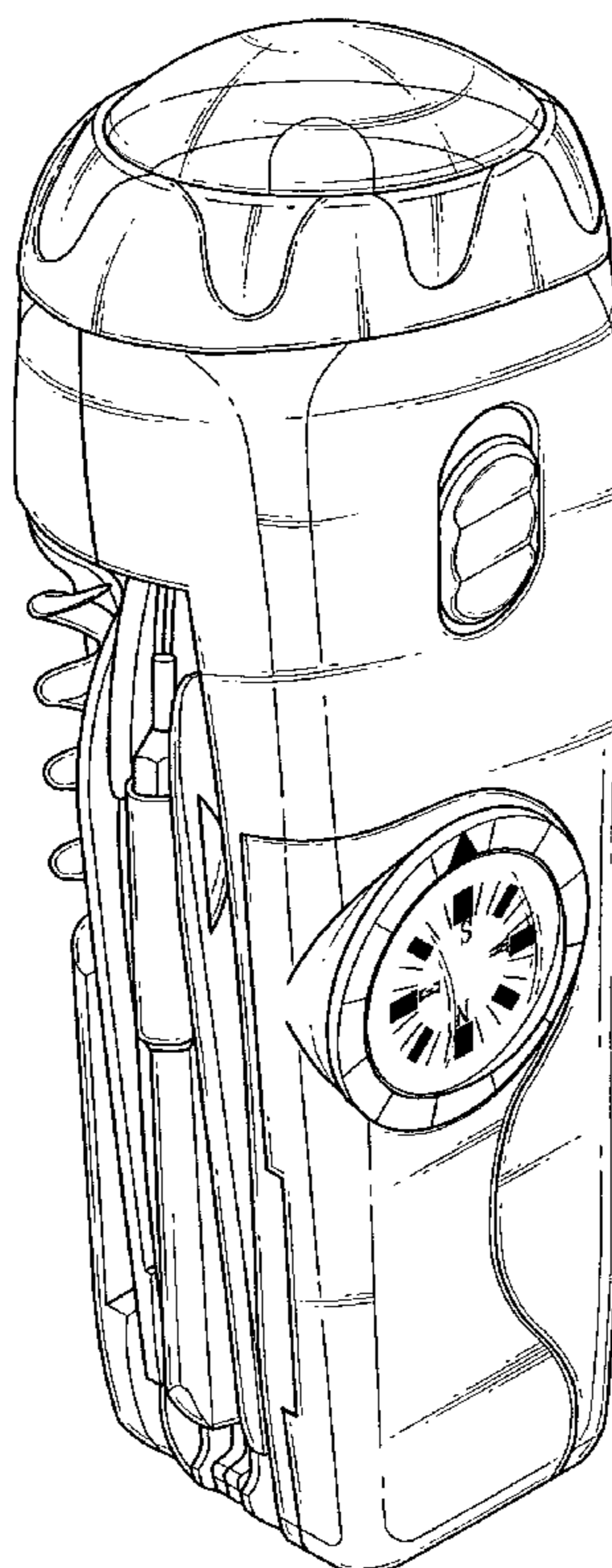
FIG. 4 is a front side elevational view thereof;

FIG. 5 is a bottom plan view thereof.;

FIG. 6 is a left side elevational view thereof; and,

FIG. 7 is a rear side elevational view thereof.

**1 Claim, 4 Drawing Sheets**



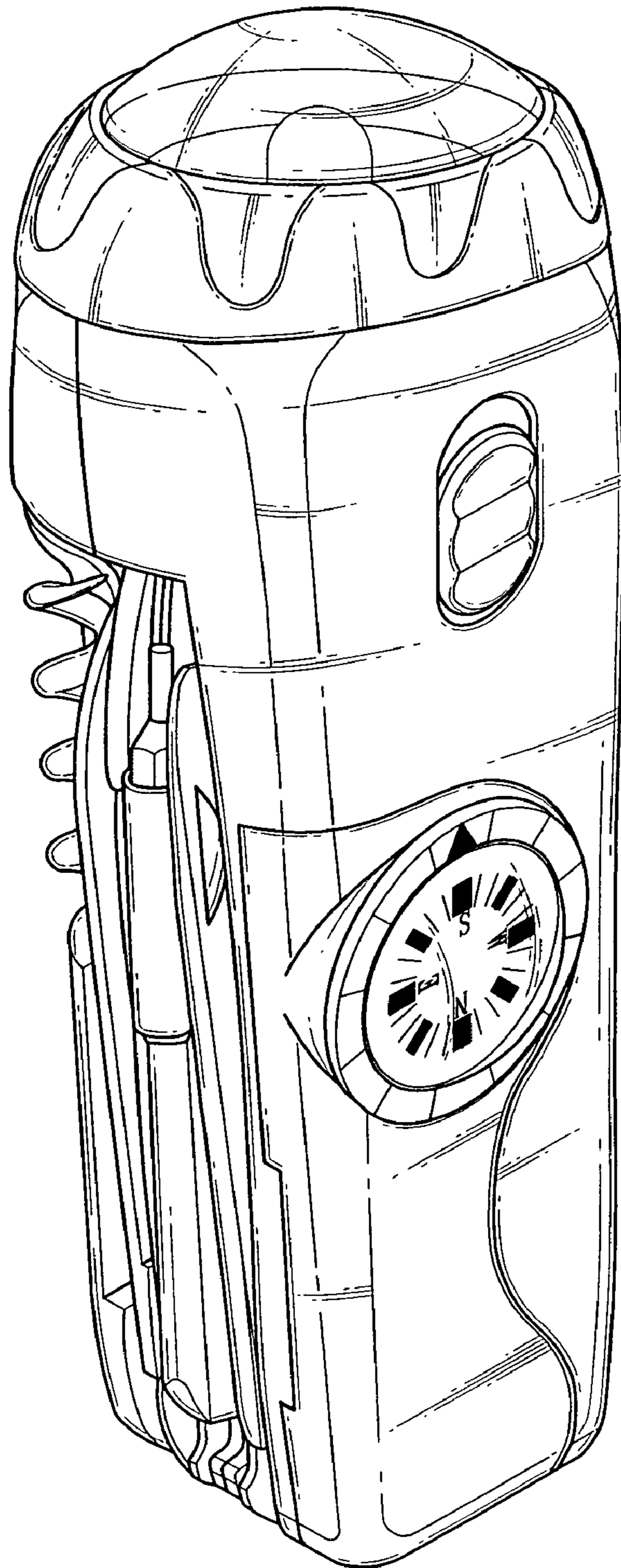


Fig. 1

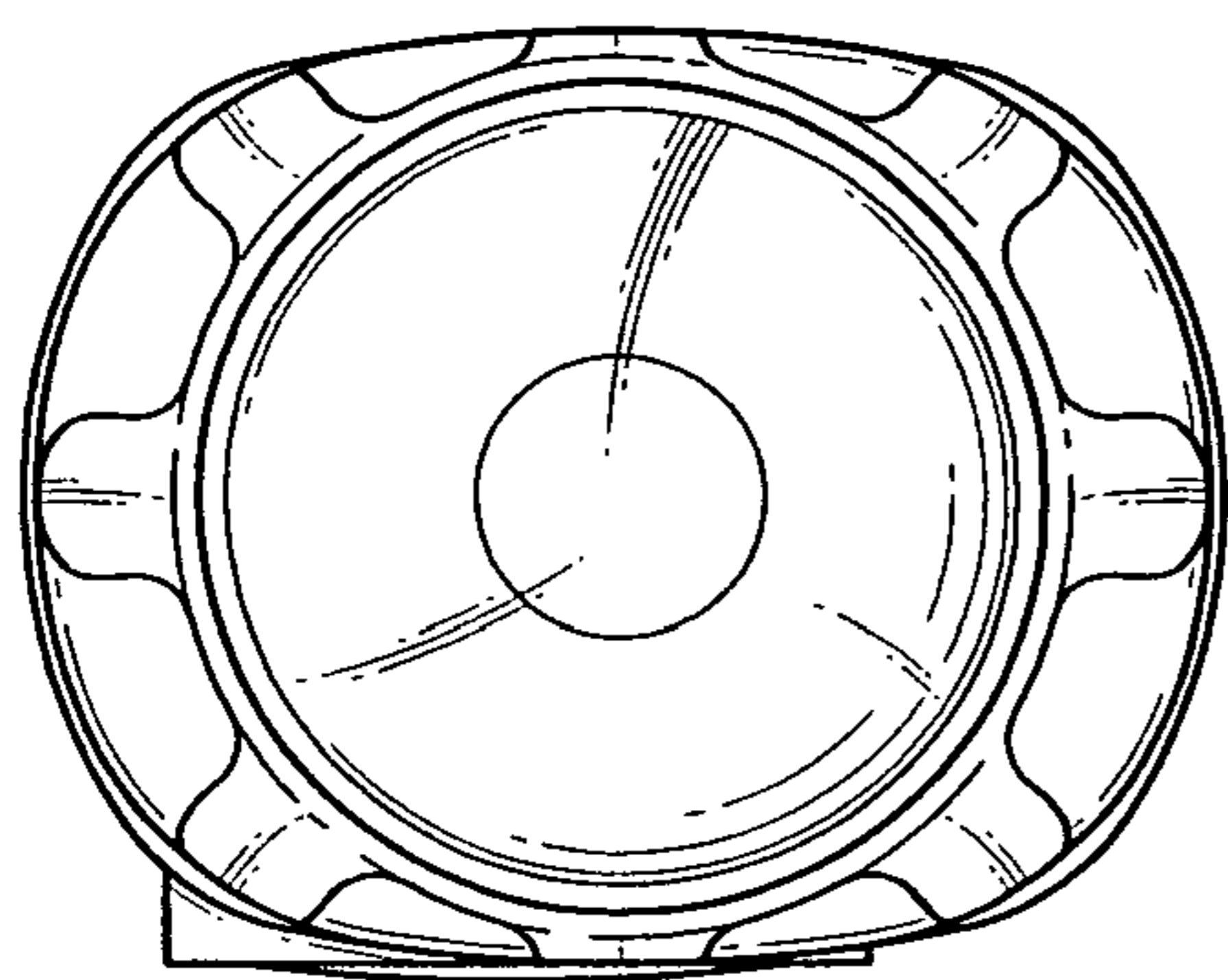


Fig. 3

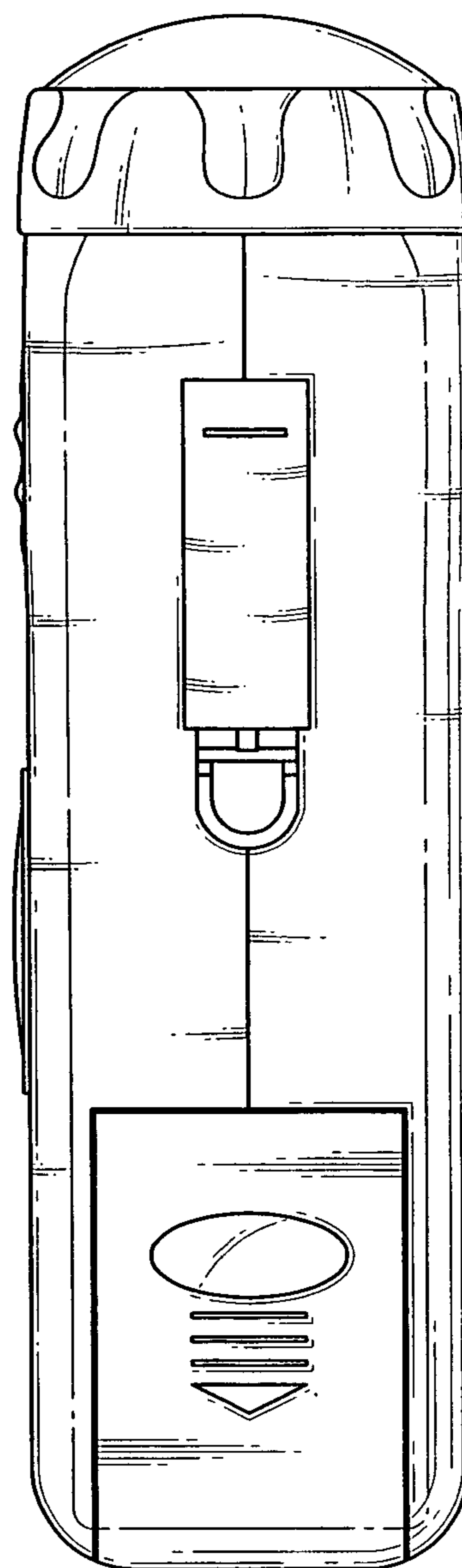


Fig. 2

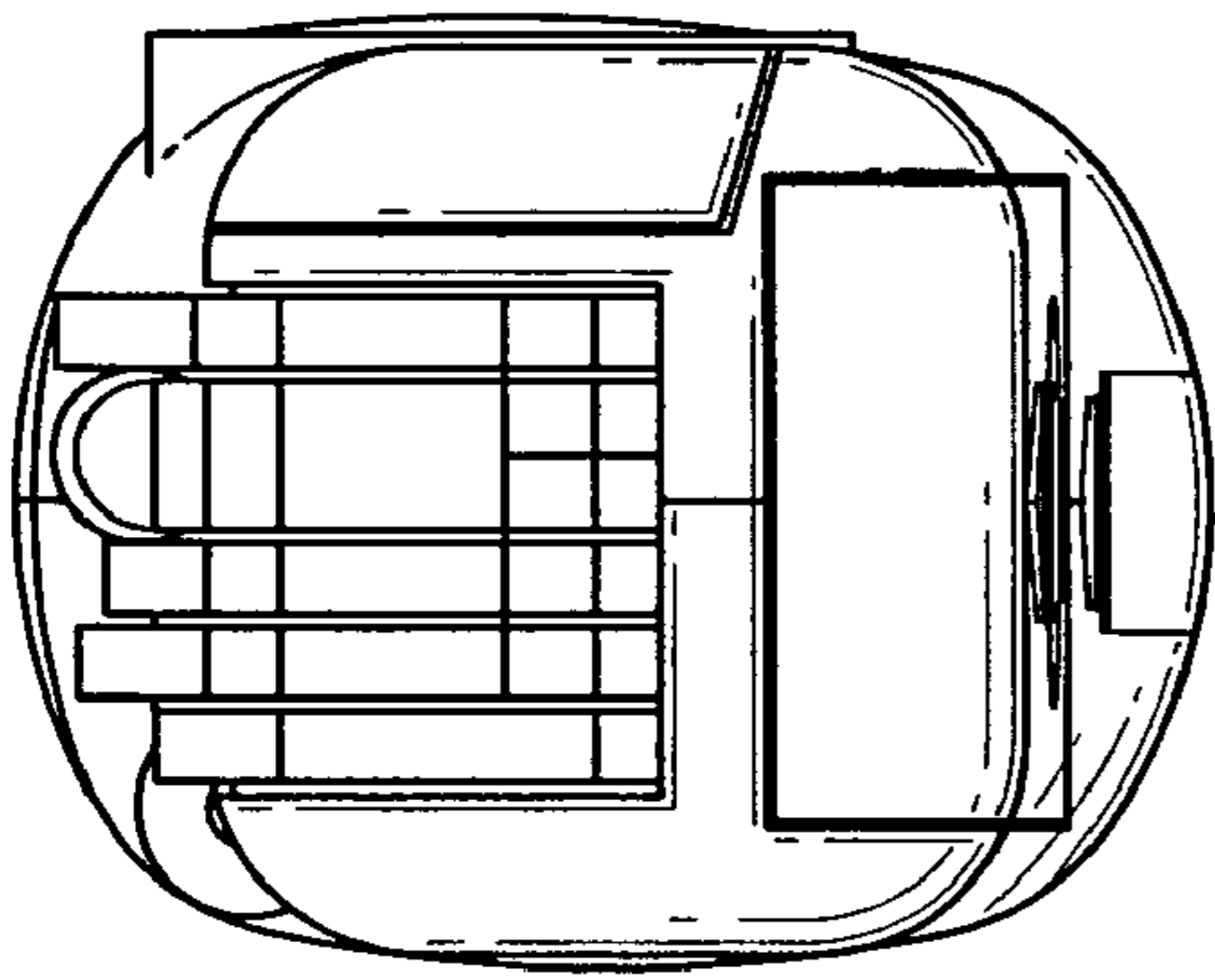


Fig. 5

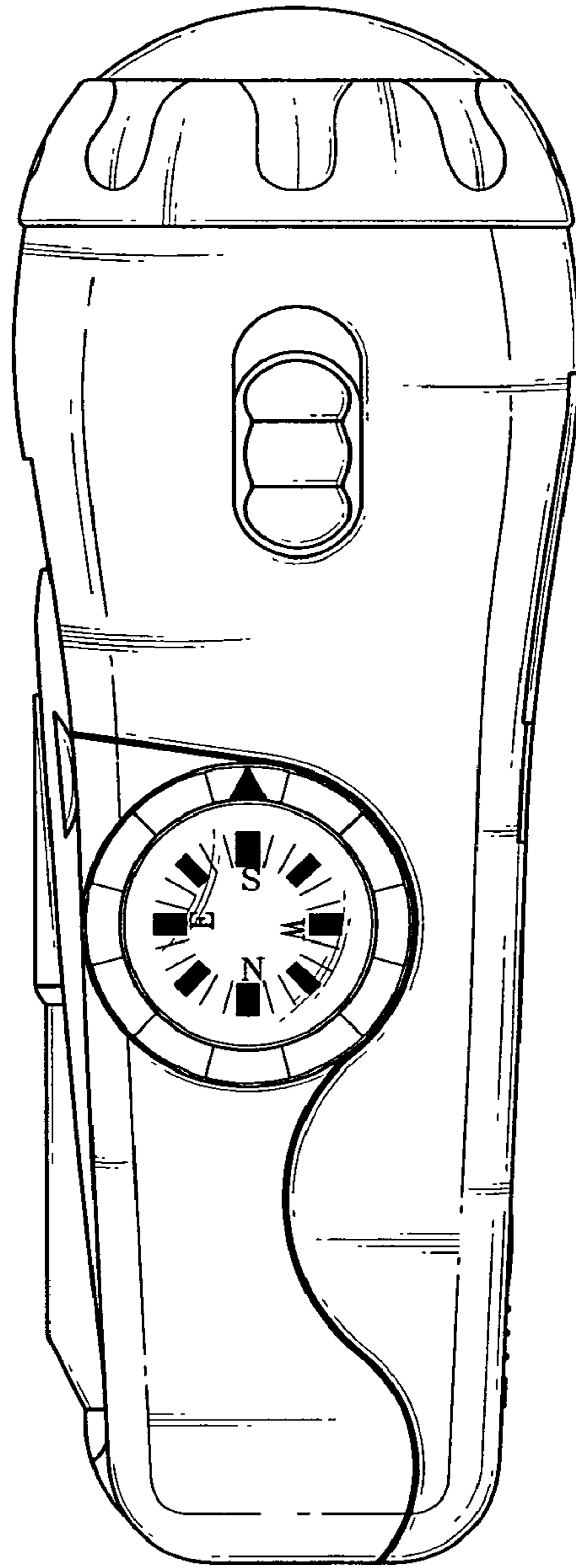


Fig. 4

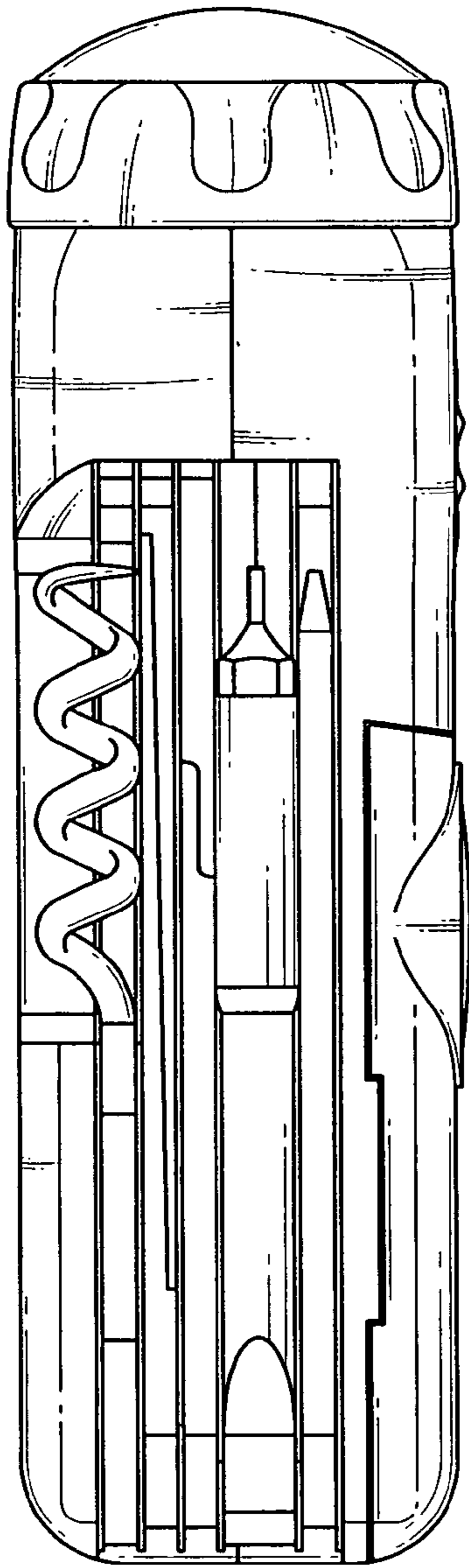


Fig. 7

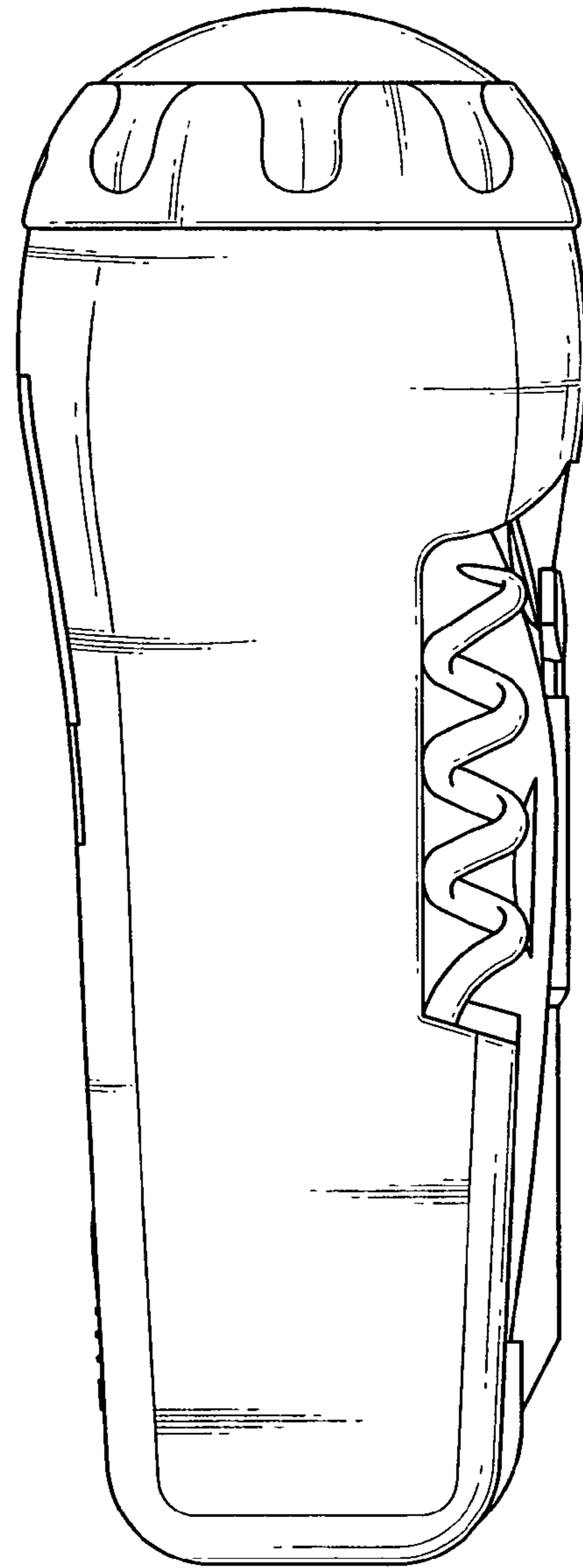


Fig. 6