

US00D549068S

(12) **United States Design Patent**  
**Groten**

(10) **Patent No.:** **US D549,068 S**

(45) **Date of Patent:** **\*\* Aug. 21, 2007**

(54) **CUTTER KNIFE**

(75) Inventor: **Bernard Groten**, Irun (ES)

(73) Assignee: **Zenten Bernhard Groten, S.L.**, Irun  
(Guipuzcoa) (ES)

(\*\*) Term: **14 Years**

(21) Appl. No.: **29/195,437**

(22) Filed: **Dec. 11, 2003**

(51) **LOC (8) Cl.** ..... **08-03**

(52) **U.S. Cl.** ..... **D8/99**

(58) **Field of Classification Search** ..... D8/98,  
D8/99, 100; 30/162, 320, 329, 337, 335,  
30/125

See application file for complete search history.

(56) **References Cited**

**U.S. PATENT DOCUMENTS**

D264,799 S *	6/1982	Osada	.....	D8/99
D264,801 S *	6/1982	Osada	.....	D8/99
D354,900 S *	1/1995	Hirai	.....	D8/99
5,502,896 A *	4/1996	Chen	.....	30/162
D398,829 S *	9/1998	Okada	.....	D8/99
D399,114 S *	10/1998	Okada	.....	D8/99
D428,790 S *	8/2000	Jacquet	.....	D8/99

D436,825 S *	1/2001	Chen	.....	D8/99
D443,494 S *	6/2001	Okada	.....	D8/99
D453,896 S *	2/2002	Hirai	.....	D8/99
D459,189 S *	6/2002	Chong	.....	D8/99
D480,289 S *	10/2003	Jacquet	.....	D8/99

\* cited by examiner

*Primary Examiner*—Philip S. Hyder

(74) *Attorney, Agent, or Firm*—Koda & Androlia

(57) **CLAIM**

The ornamental design for cutter knife, as shown and described.

**DESCRIPTION**

FIG. 1 is a perspective view taken from the front, left side and bottom of the cutter knife of my new design;

FIG. 2 is a front elevational view thereof;

FIG. 3 is a rear elevational view thereof;

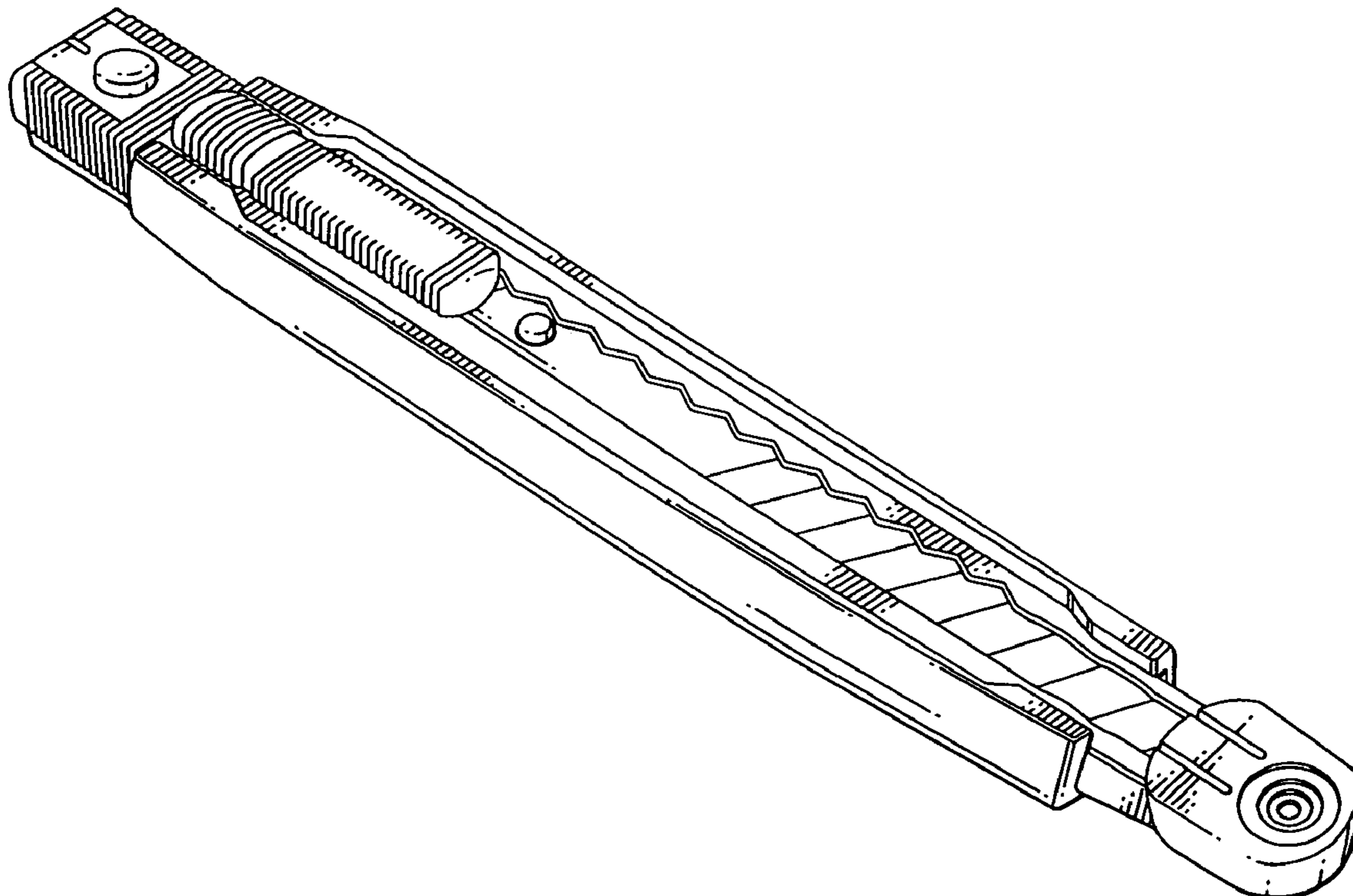
FIG. 4 is a right side elevational view thereof;

FIG. 5 is a left side elevational view thereof;

FIG. 6 is a top plan view thereof (enlarged); and,

FIG. 7 is a bottom plan view thereof (enlarged).

**1 Claim, 6 Drawing Sheets**



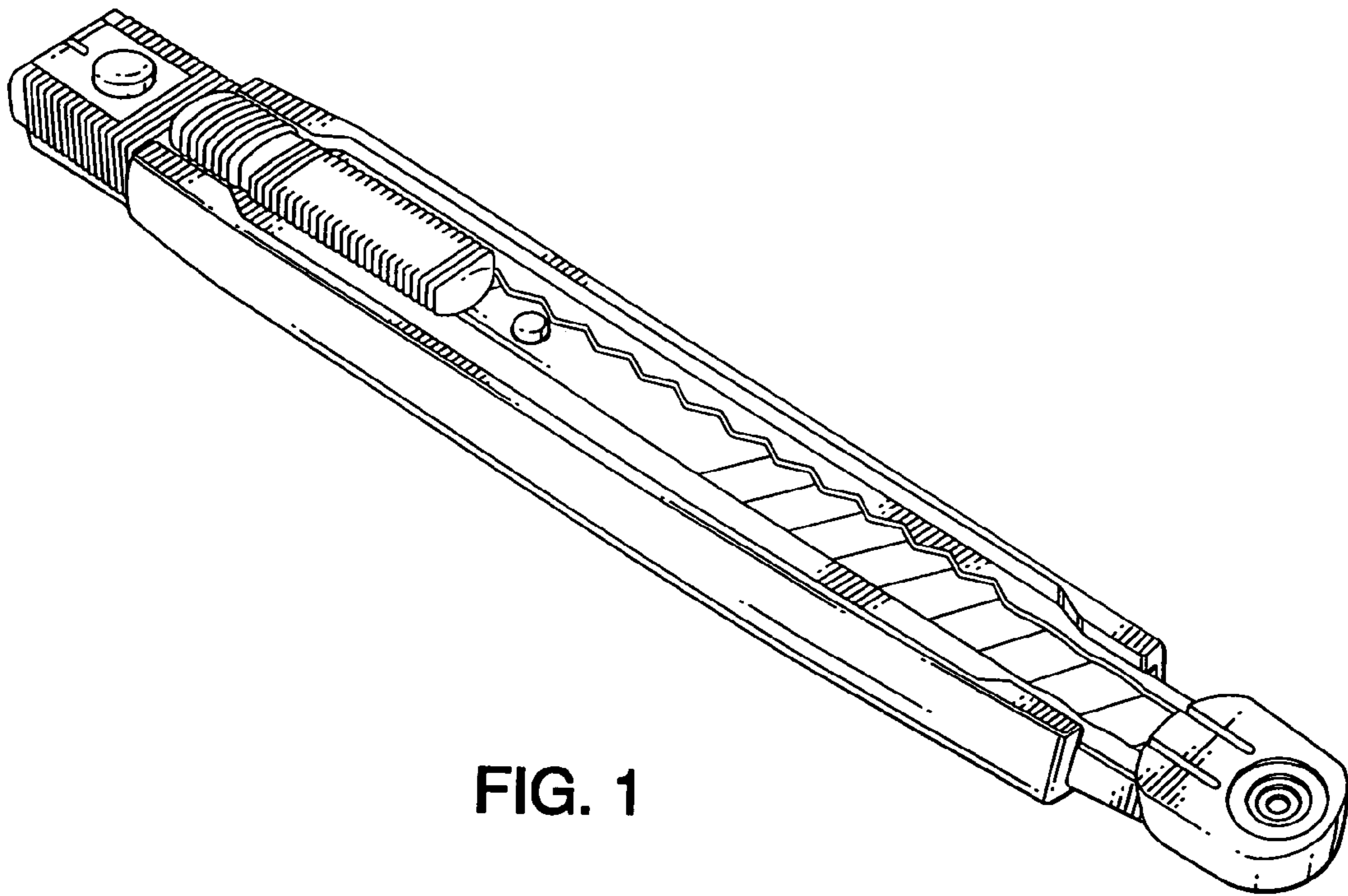


FIG. 1

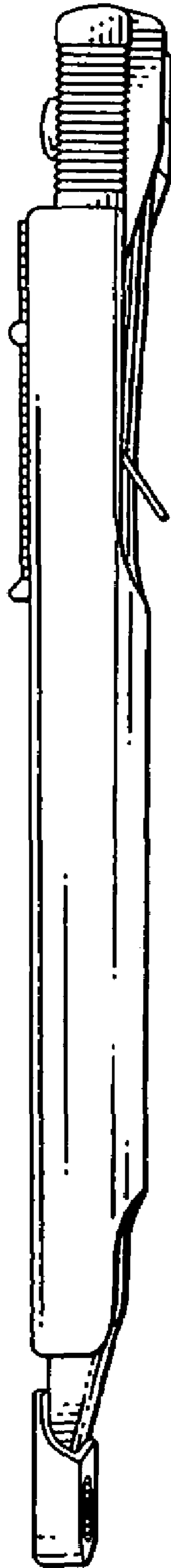


FIG. 2

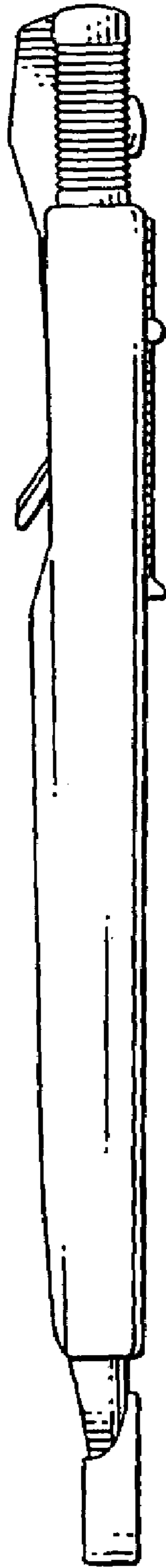


FIG. 3

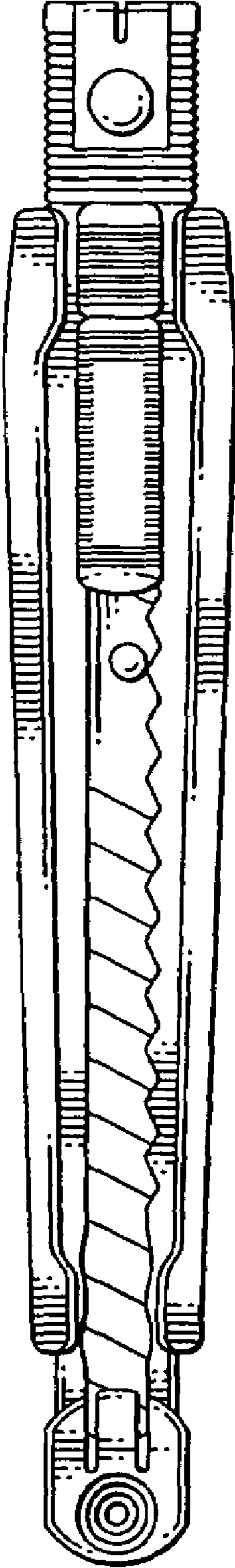
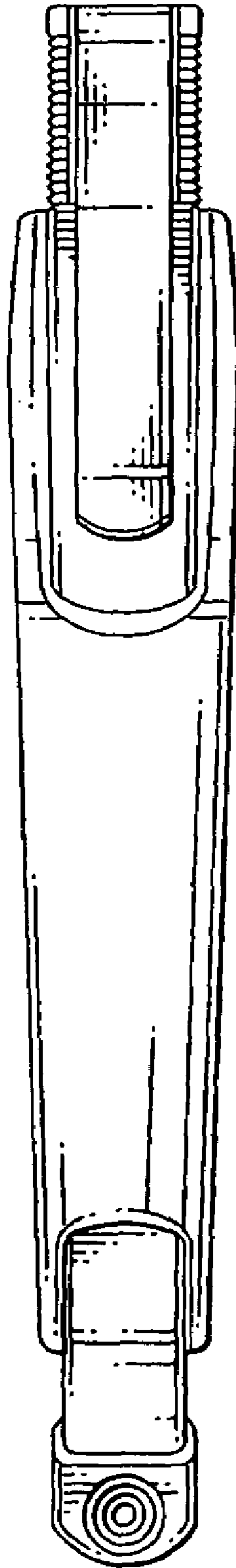
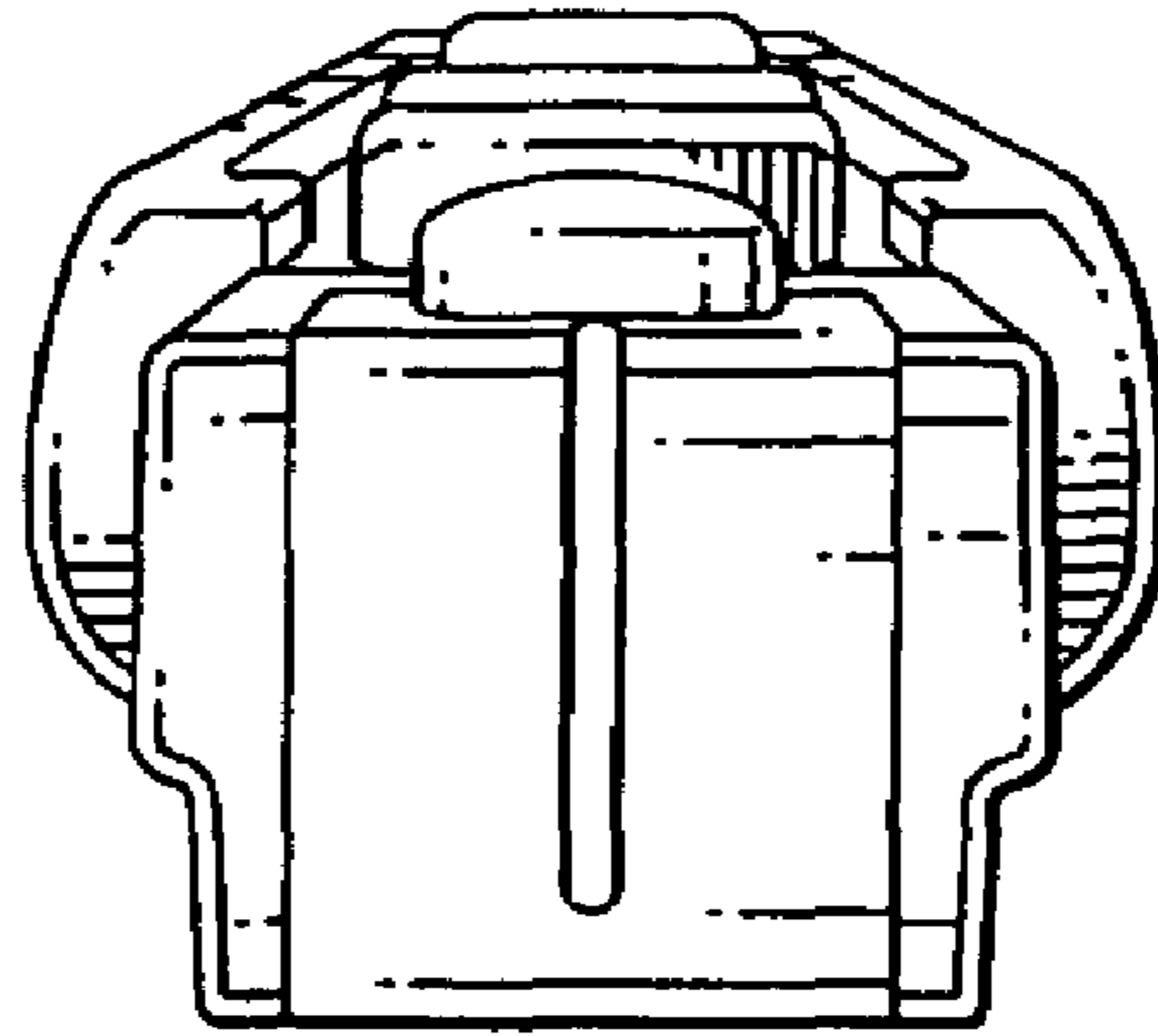


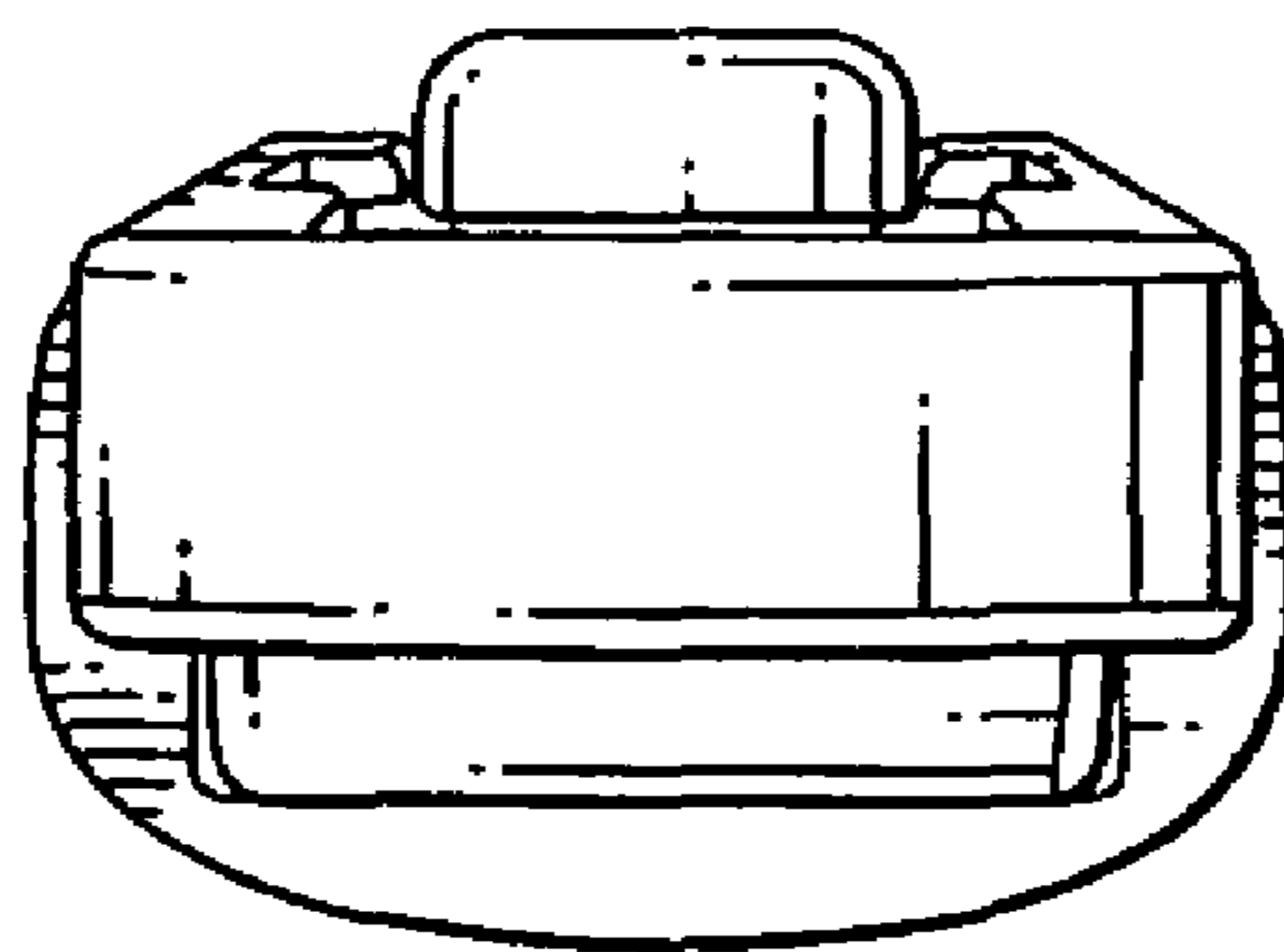
FIG. 4



**FIG. 5**



**FIG. 6**



**FIG. 7**

UNITED STATES PATENT AND TRADEMARK OFFICE  
**CERTIFICATE OF CORRECTION**

PATENT NO. : Des. 549,068 S  
APPLICATION NO. : 29/195437  
DATED : August 21, 2007  
INVENTOR(S) : Bernard Groten

Page 1 of 1

It is certified that error appears in the above-identified patent and that said Letters Patent is hereby corrected as shown below:

On the Title Page, Add:

Item --(30) Foreign Application Priority Data:

Jun. 12, 2003 (EM) ..... 000041017--

Signed and Sealed this

Seventh Day of July, 2009



JOHN DOLL

*Acting Director of the United States Patent and Trademark Office*