

US00D549065S

(12) **United States Design Patent**
Chen

(10) **Patent No.:** **US D549,065 S**

(45) **Date of Patent:** **** Aug. 21, 2007**

(54) **HAMMERHEAD**

D530,583 S * 10/2006 Chen D8/78

(76) Inventor: **Yung-Shou Chen**, 2F-1, 51, Sec. 3,
Chung Yang Rd., Chung Ho Tsuen,
Long-Ching Town, Taichung Hsien
(TW)

OTHER PUBLICATIONS

National Wholesale Tools Websight, Roofing hammer 1930.*

* cited by examiner

(**) Term: **14 Years**

Primary Examiner—Philip S. Hyder

(74) *Attorney, Agent, or Firm*—Pai Patent & Trademark
Law Firm; Chao-Chang David Pai

(21) Appl. No.: **29/247,369**

(22) Filed: **Jun. 14, 2006**

(57) **CLAIM**

(51) **LOC (8) Cl.** **08-02**

The ornamental design for a hammerhead, as shown and
described.

(52) **U.S. Cl.** **D8/78; D8/79; D8/76**

(58) **Field of Classification Search** D8/75,
D8/76, 77, 78, 79, 80, 81; 81/20, 21, 22;
7/143, 144, 145, 146, 147; 30/308.1, 308.2
See application file for complete search history.

DESCRIPTION

FIG. 1 is a front perspective view of a hammerhead, showing
my new design;

(56) **References Cited**

U.S. PATENT DOCUMENTS

| | | | | | |
|-----------|------|--------|--------------|-------|----------|
| 1,526,251 | A * | 2/1925 | Squier | | 30/308.1 |
| D118,700 | S * | 1/1940 | Griffith | | D8/78 |
| 3,233,643 | A * | 2/1966 | Reuterfors | | 7/158 |
| 4,433,709 | A * | 2/1984 | Porter | | 81/26 |
| 5,647,080 | A * | 7/1997 | Martin | | 7/103 |
| 6,266,834 | B1 * | 7/2001 | Walsh et al. | | 7/144 |
| D521,345 | S * | 5/2006 | Hung | | D8/78 |
| D521,840 | S * | 5/2006 | Hung | | D8/78 |
| D521,841 | S * | 5/2006 | Hung | | D8/78 |
| D521,843 | S * | 5/2006 | Hung | | D8/78 |
| 7,062,809 | B2 * | 6/2006 | Sheffield | | 7/145 |

FIG. 2 is a front elevational view thereof;

FIG. 3 is a rear elevational view thereof;

FIG. 4 is a left side elevational view thereof;

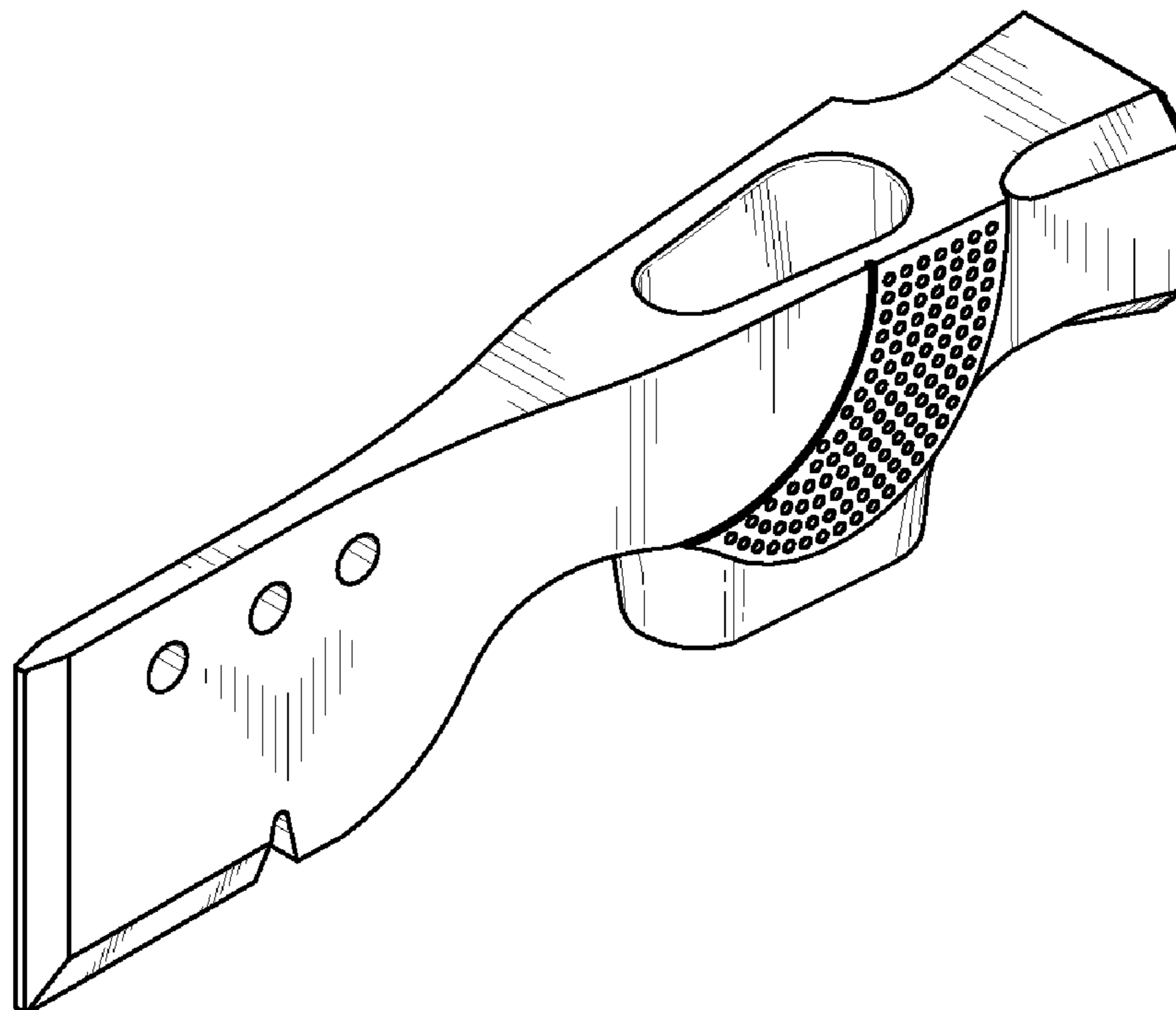
FIG. 5 is a right side elevational view thereof;

FIG. 6 is a top plan view thereof;

FIG. 7 is a bottom plan view thereof; and,

FIG. 8 is a front elevational view thereof, wherein the handle
is shown in broken lines for illustrative purposes only and
forms no part of the claimed design.

1 Claim, 4 Drawing Sheets



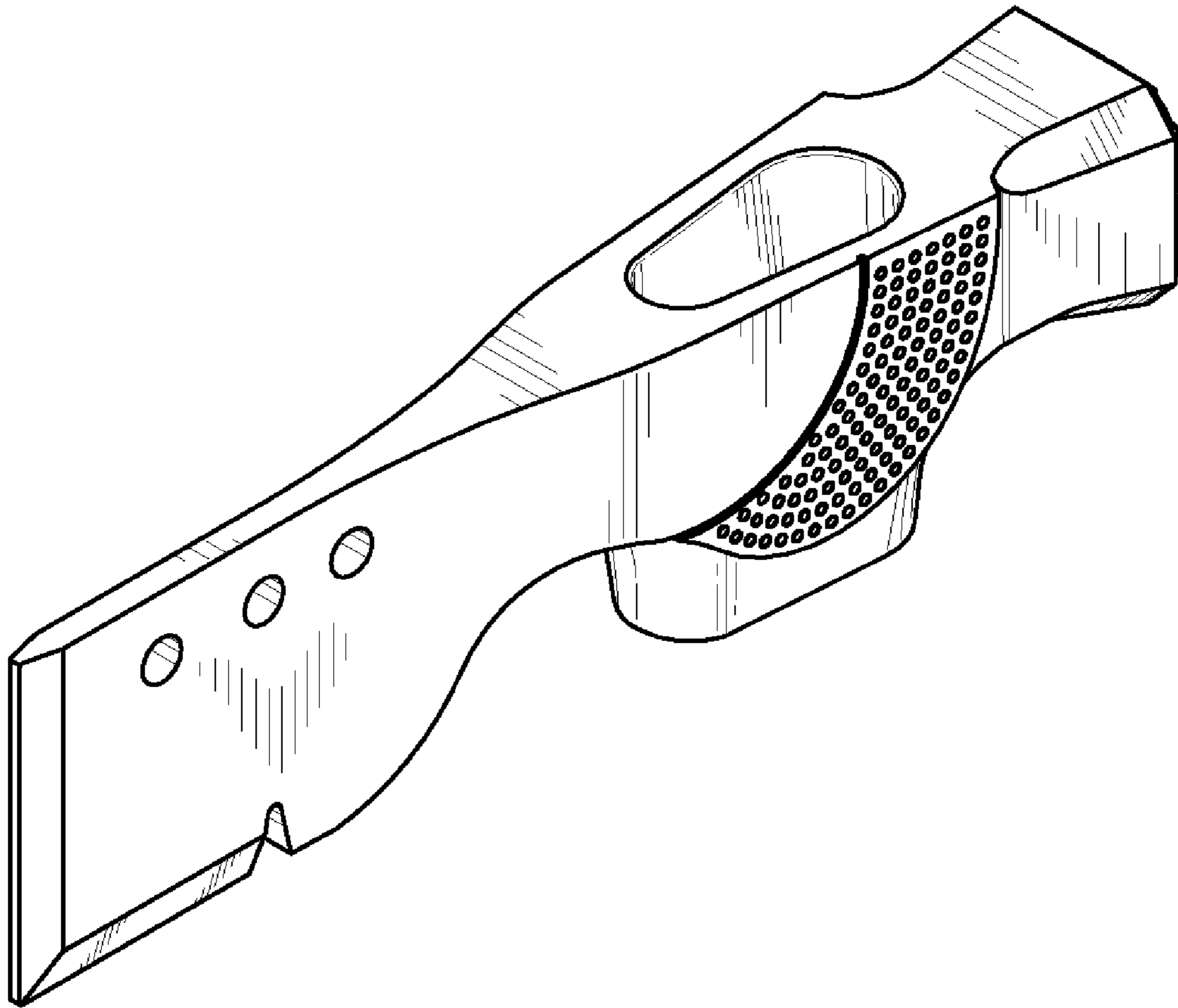


FIG. 1

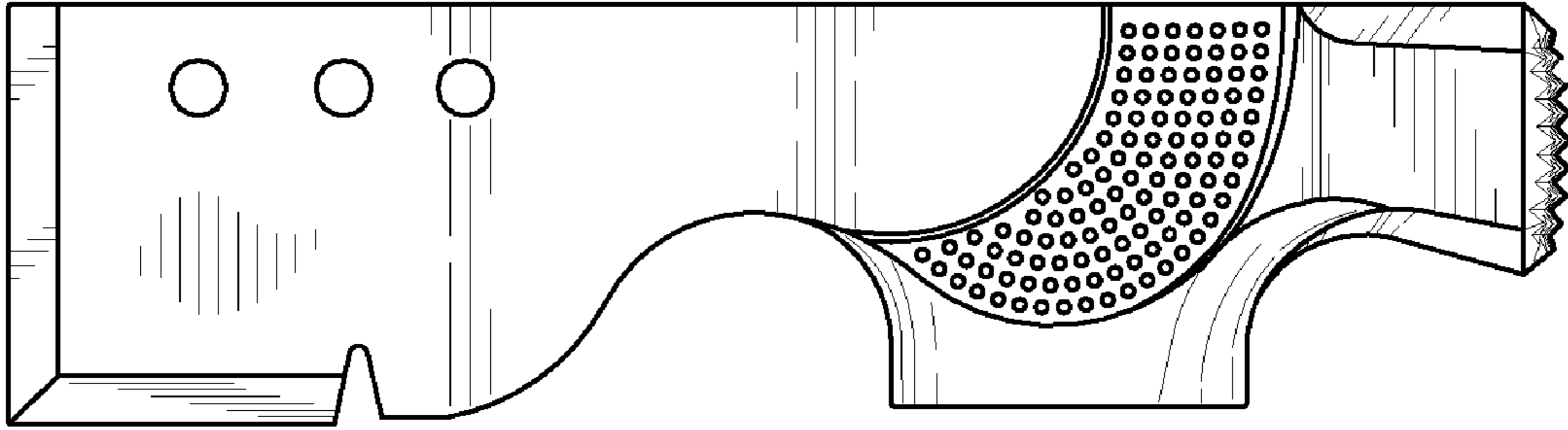


FIG. 2

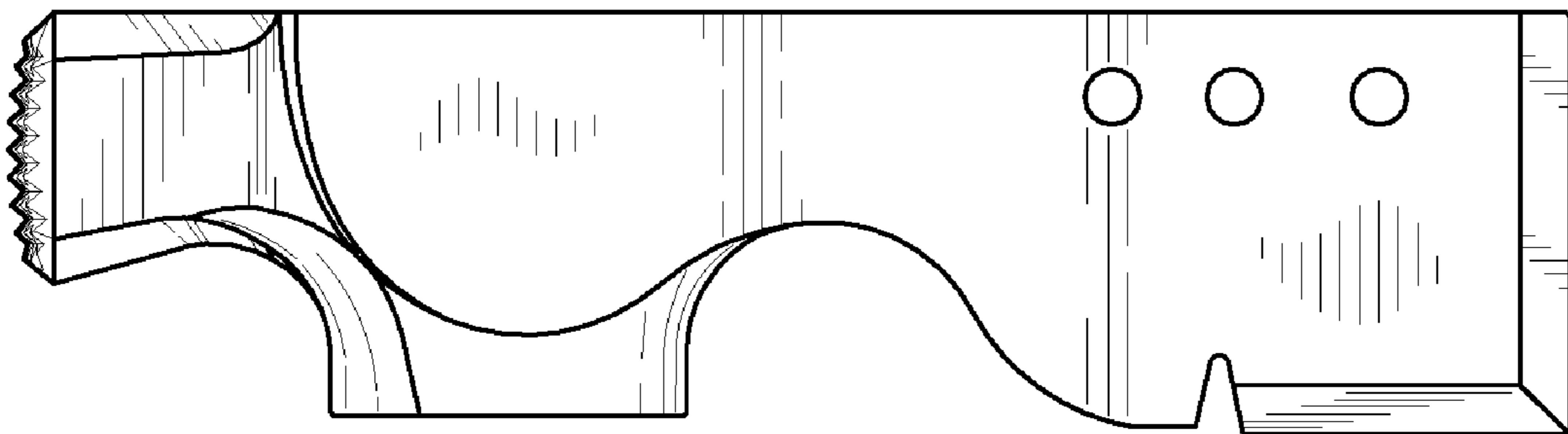


FIG. 3

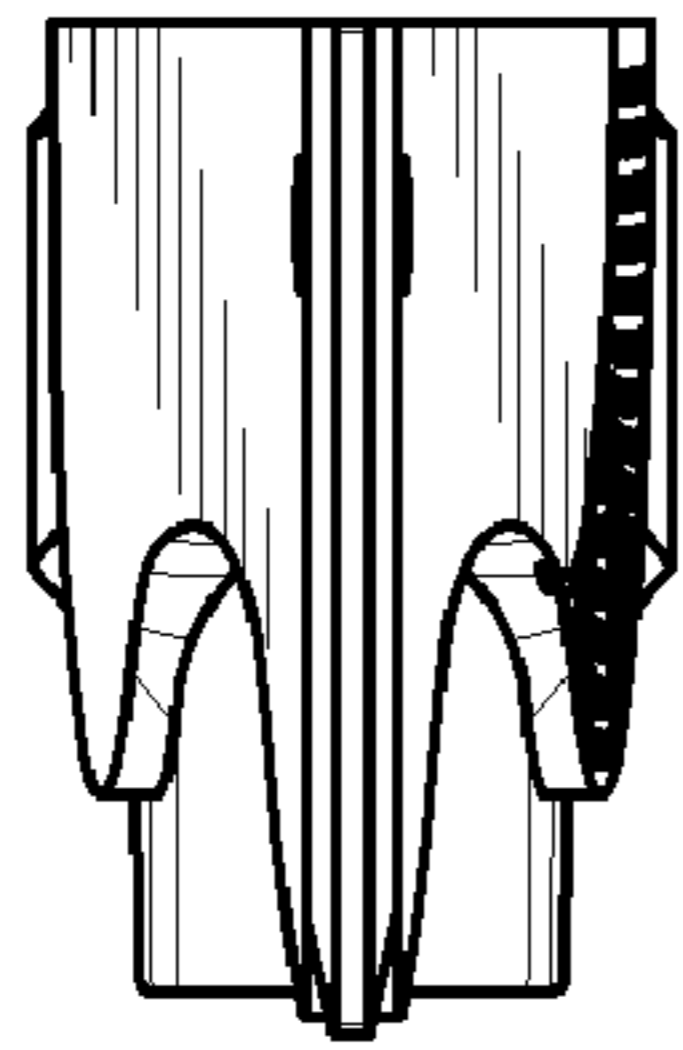


FIG. 4

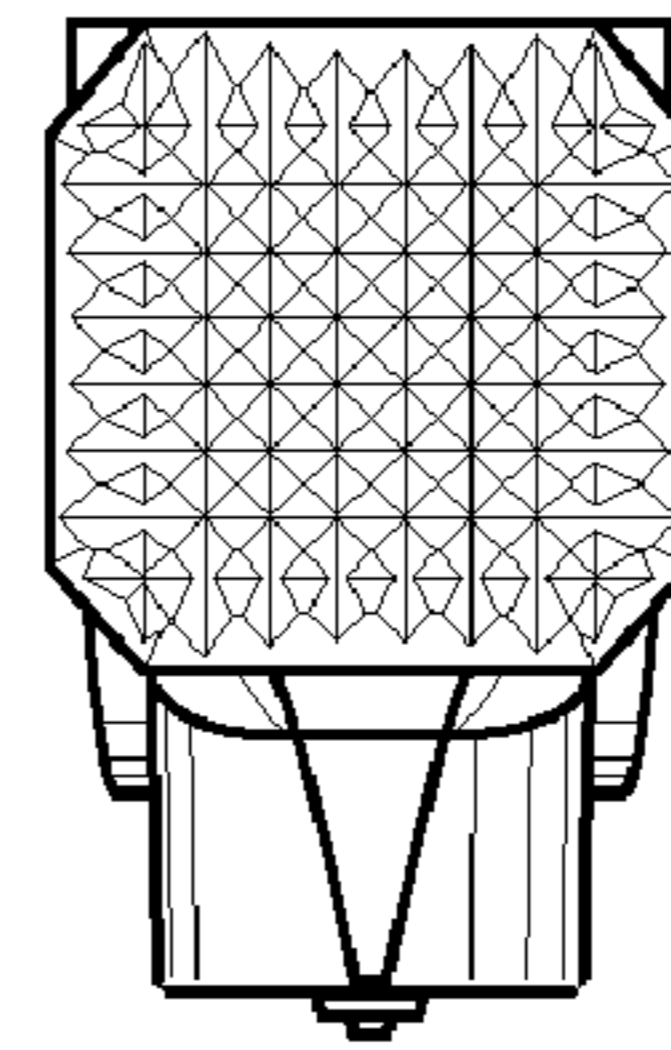


FIG. 5

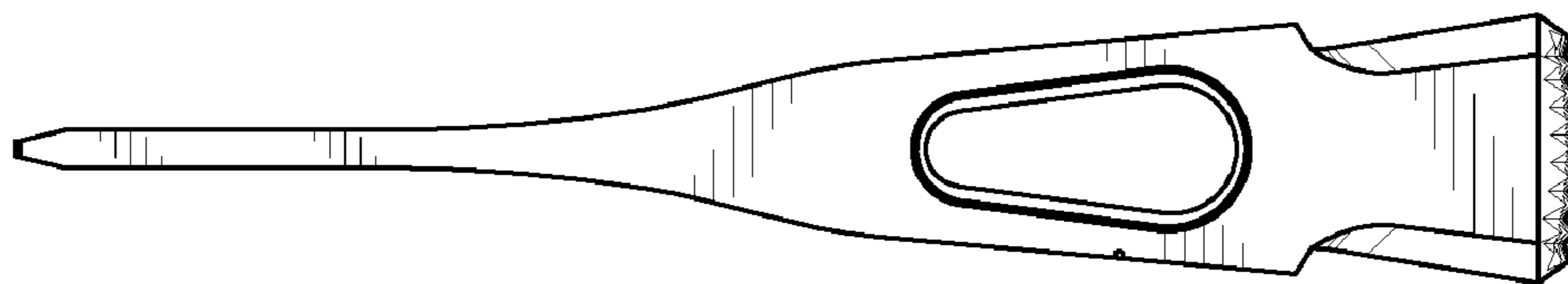


FIG. 6

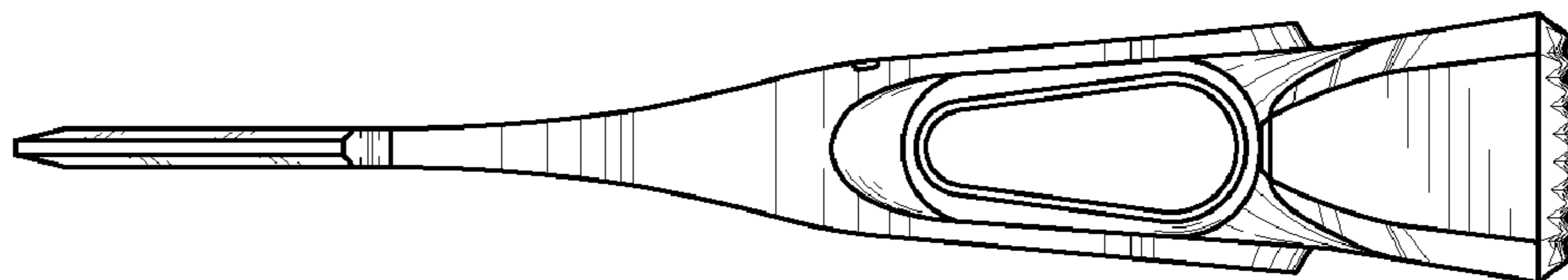


FIG. 7

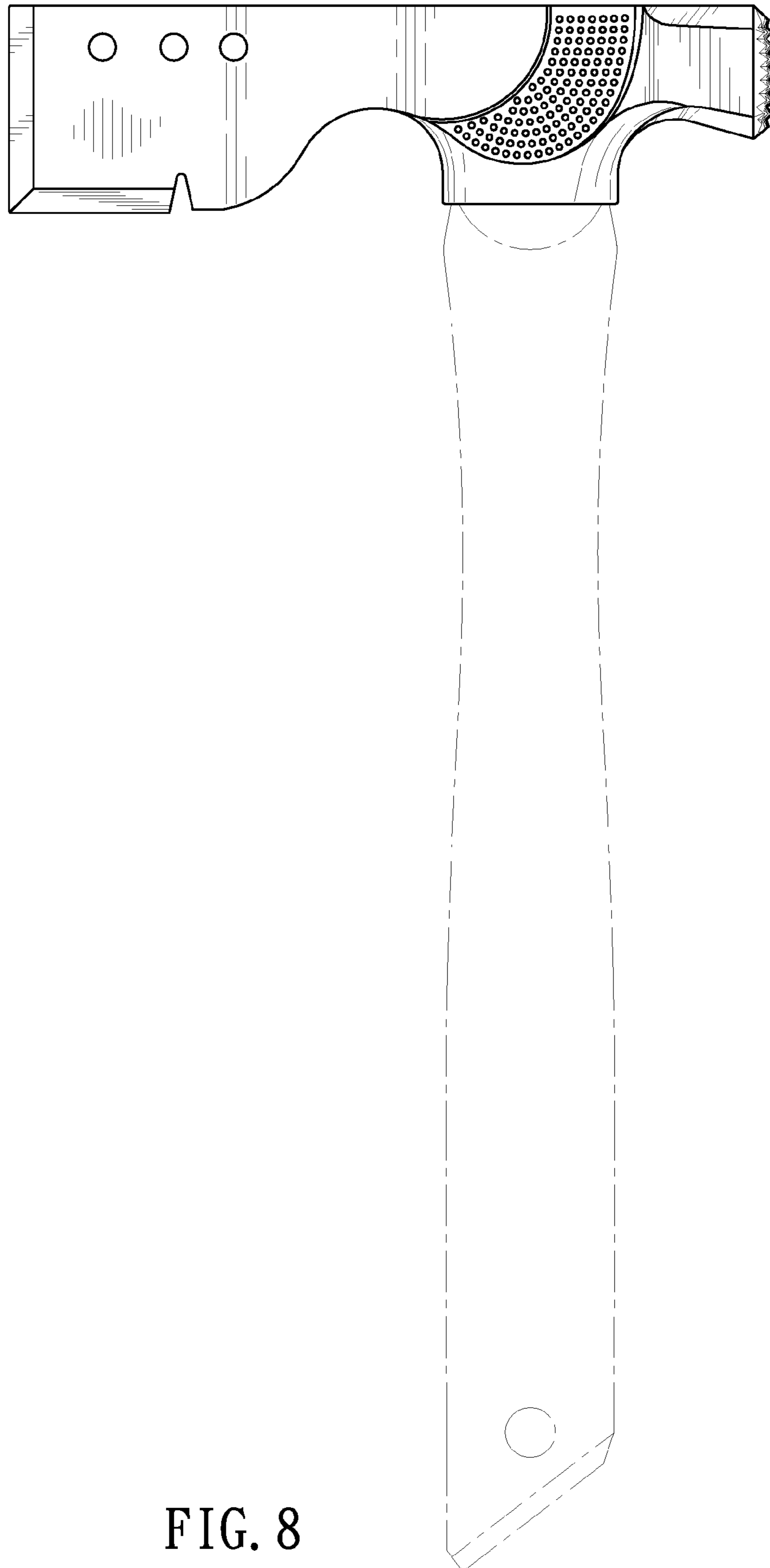


FIG. 8