

US00D549063S

(12) **United States Design Patent**
Pribyl et al.

(10) **Patent No.:** **US D549,063 S**

(45) **Date of Patent:** **** Aug. 21, 2007**

(54) **TABLE CLAMP FOR ELECTRONIC DISPLAY MOUNT**

6,994,722 B2 * 2/2006 DiCarlo 623/1.13
D521,850 S * 5/2006 Richter et al. D8/354

(75) Inventors: **Keith Pribyl**, Roseville, MN (US); **Jim Wohlford**, Edina, MN (US); **Dominic Grey**, Blaine, MN (US)

* cited by examiner

Primary Examiner—Louis Zarfaz
Assistant Examiner—David G. Muller

(73) Assignee: **CSAV, Inc.**, Savage, MN (US)

(74) *Attorney, Agent, or Firm*—Patterson, Thunte, Skaar & Christensen, P.A.

(**) Term: **14 Years**

(57) **CLAIM**

(21) Appl. No.: **29/237,995**

The ornamental design for table clamp for electronic display mount, as shown and described.

(22) Filed: **Sep. 9, 2005**

(51) **LOC (8) Cl.** **08-05**

(52) **U.S. Cl.** **D8/73**

(58) **Field of Classification Search** D8/71,
D8/72, 73, 74, 394, 353, 354, 355; 248/230.9,
248/231.21, 230.6, 228.6, 229.25, 317, 323,
248/341, 326, 324, 921, 281.1, 917, 363
See application file for complete search history.

DESCRIPTION

FIG. 1 is a front perspective view of a table clamp for electronic display mount;

FIG. 2 is a side elevation view of a first side of the table clamp for electronic display mount depicted in FIG. 1;

FIG. 3 is a side elevation view of a second side of the table clamp for electronic display mount depicted in FIG. 1;

FIG. 4 is a front elevation view of the table clamp for electronic display mount depicted in FIG. 1;

FIG. 5 is a rear elevation view of the table clamp for electronic display mount depicted in FIG. 1;

FIG. 6 is a rear elevation view of the table clamp for electronic display mount depicted in FIG. 1 with the rear cover removed;

FIG. 7 is a top plan view of the table clamp for electronic display mount depicted in FIG. 1; and,

FIG. 8 is a bottom plan view of the table clamp for electronic display mount depicted in FIG. 1.

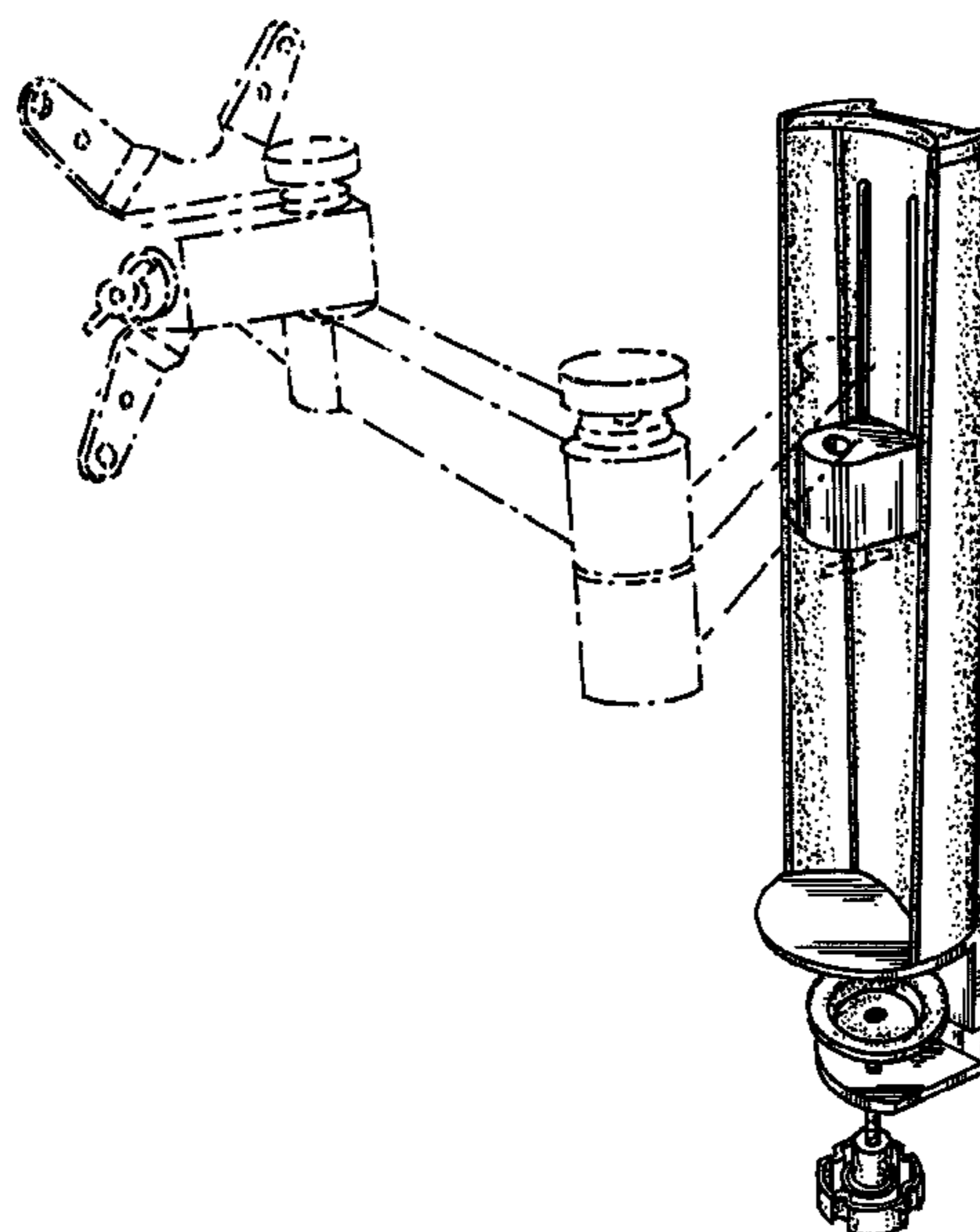
The broken line depiction of the mounting structure is included for the purpose of illustrating environment and forms no part of the claimed design.

(56) **References Cited**

U.S. PATENT DOCUMENTS

2,896,893	A *	7/1959	Mariano	D8/72
D269,945	S *	8/1983	Carney	D8/355
4,836,486	A *	6/1989	Vossoughi et al.	248/921
4,863,133	A *	9/1989	Bonnell	248/563
4,953,822	A *	9/1990	Sharber et al.	248/281.11
5,092,552	A *	3/1992	Dayton et al.	248/181.1
D332,562	S *	1/1993	Fremont et al.	D8/73
D337,333	S *	7/1993	Turk	D8/355
D345,905	S *	4/1994	Hallgren	D8/355
D354,052	S *	1/1995	Imai	D14/375
D357,468	S *	4/1995	Rodd	D14/375
D367,421	S *	2/1996	Powers	D8/73
D389,334	S *	1/1998	Attridge	D8/394
5,947,429	A *	9/1999	Sweere et al.	248/123.11
6,857,610	B1 *	2/2005	Conner et al.	248/917
6,962,314	B2 *	11/2005	Hsu	248/363

1 Claim, 3 Drawing Sheets



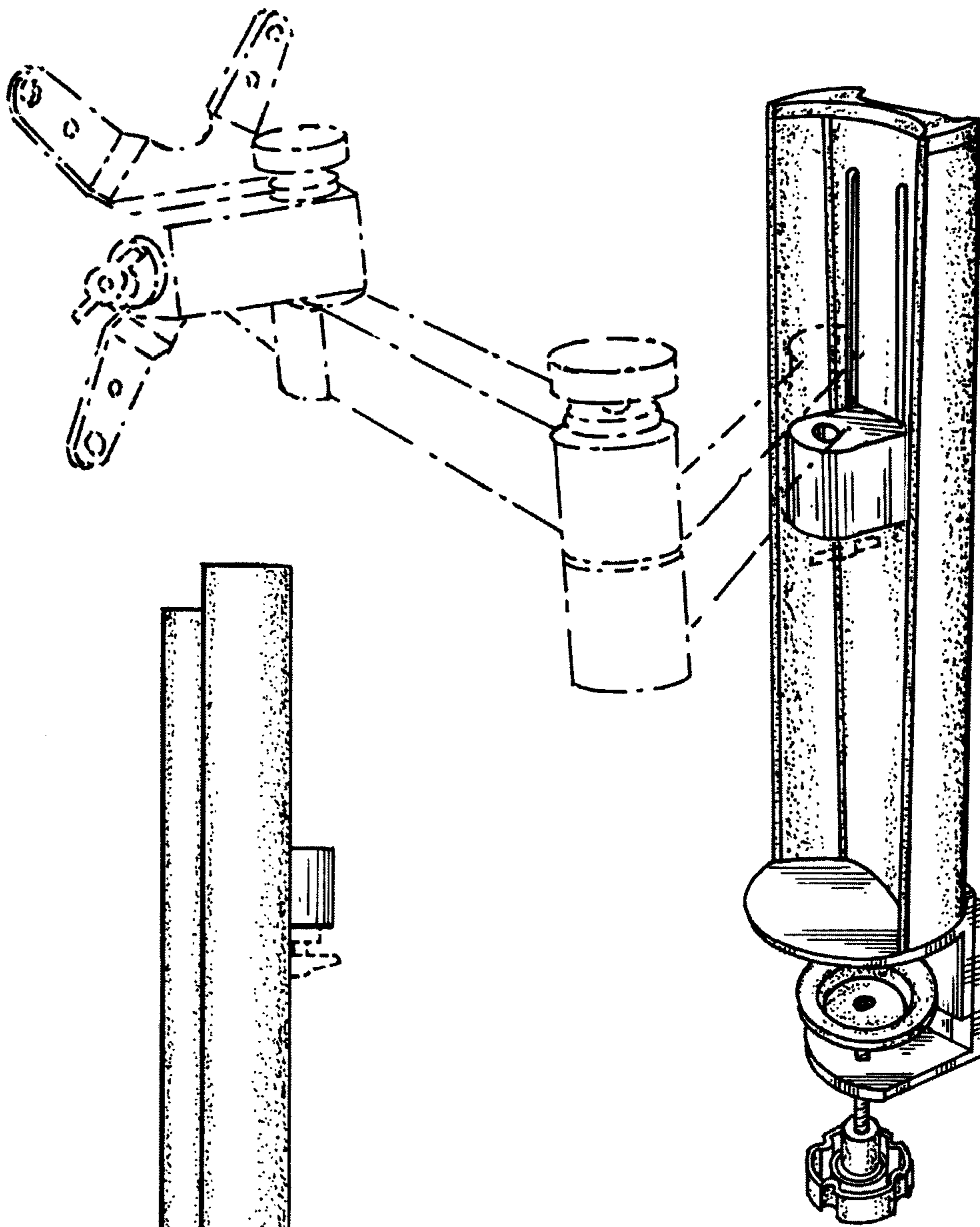


Fig. 1.

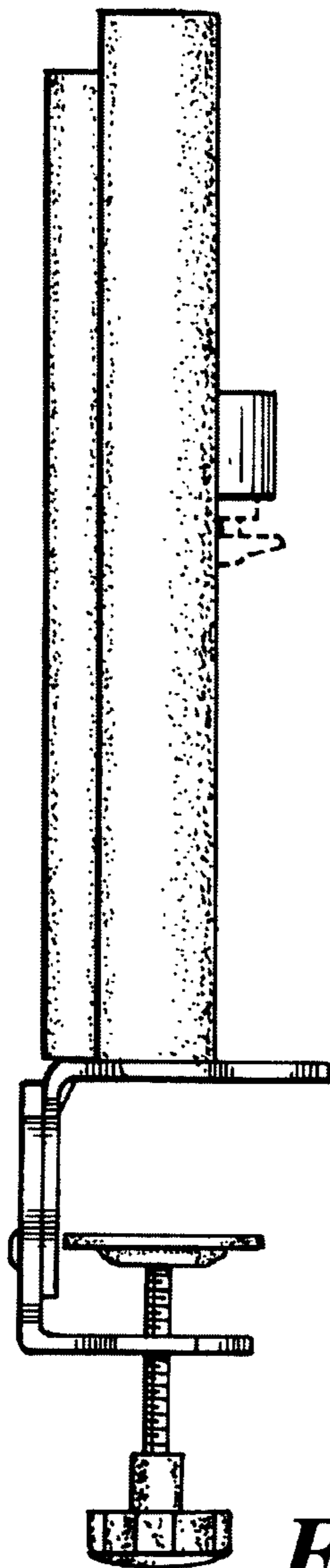


Fig. 2.

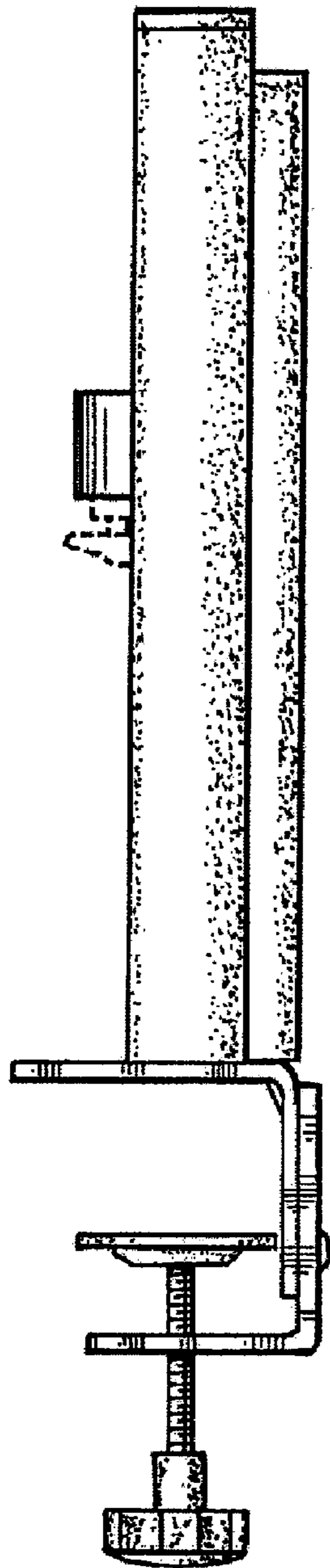


Fig. 3.

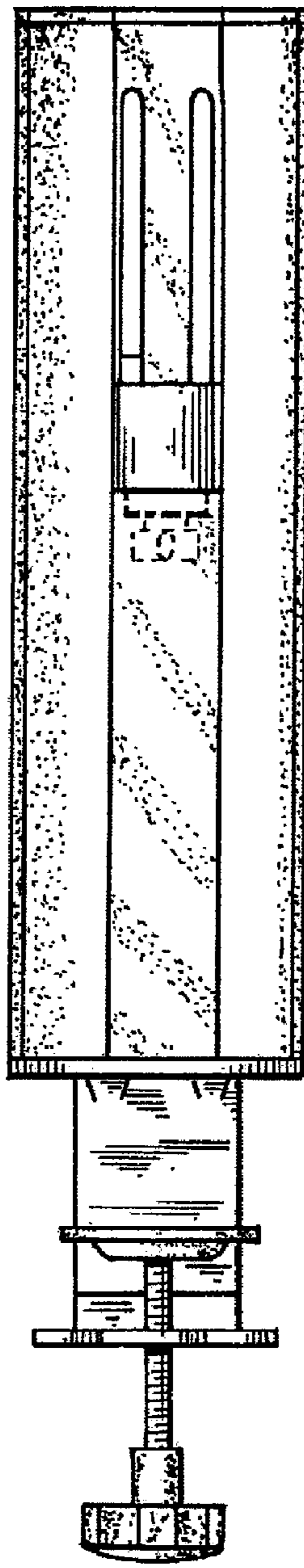


Fig. 4.

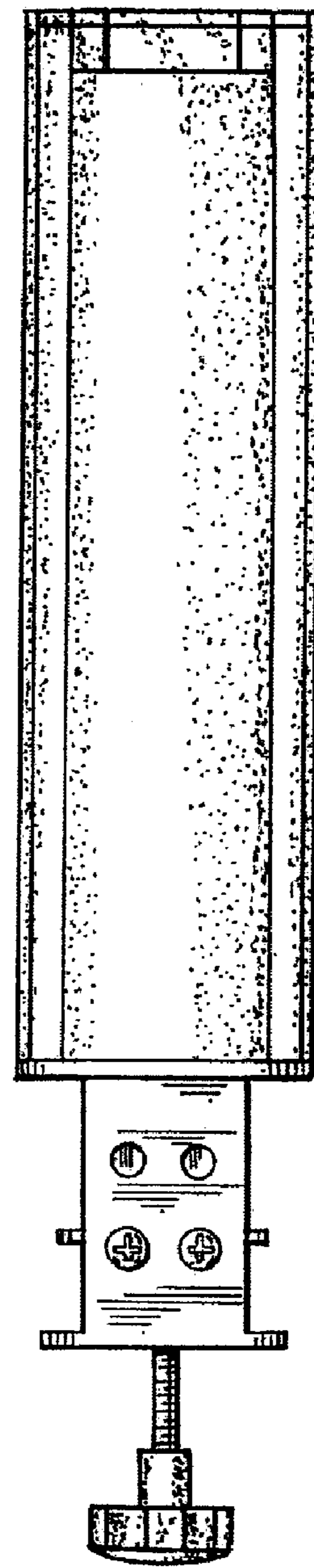


Fig. 5.

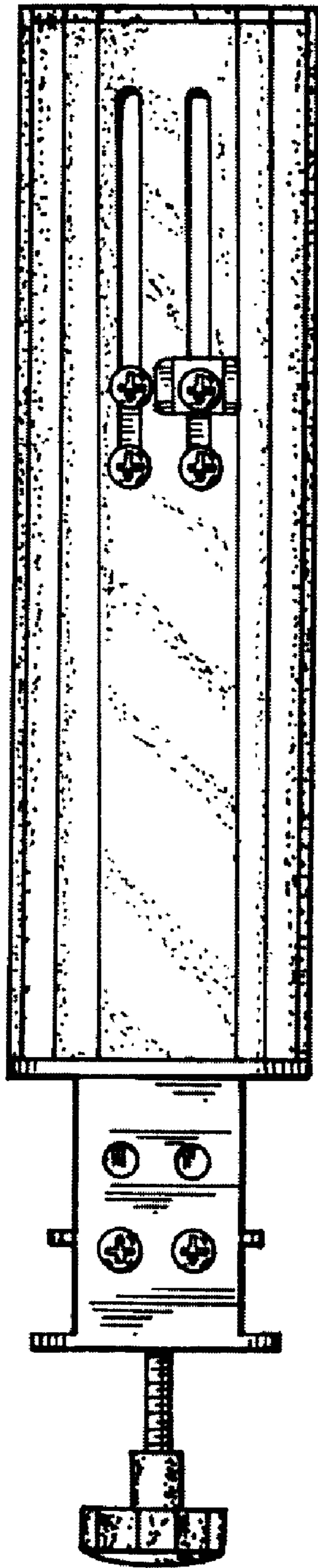


Fig. 6.

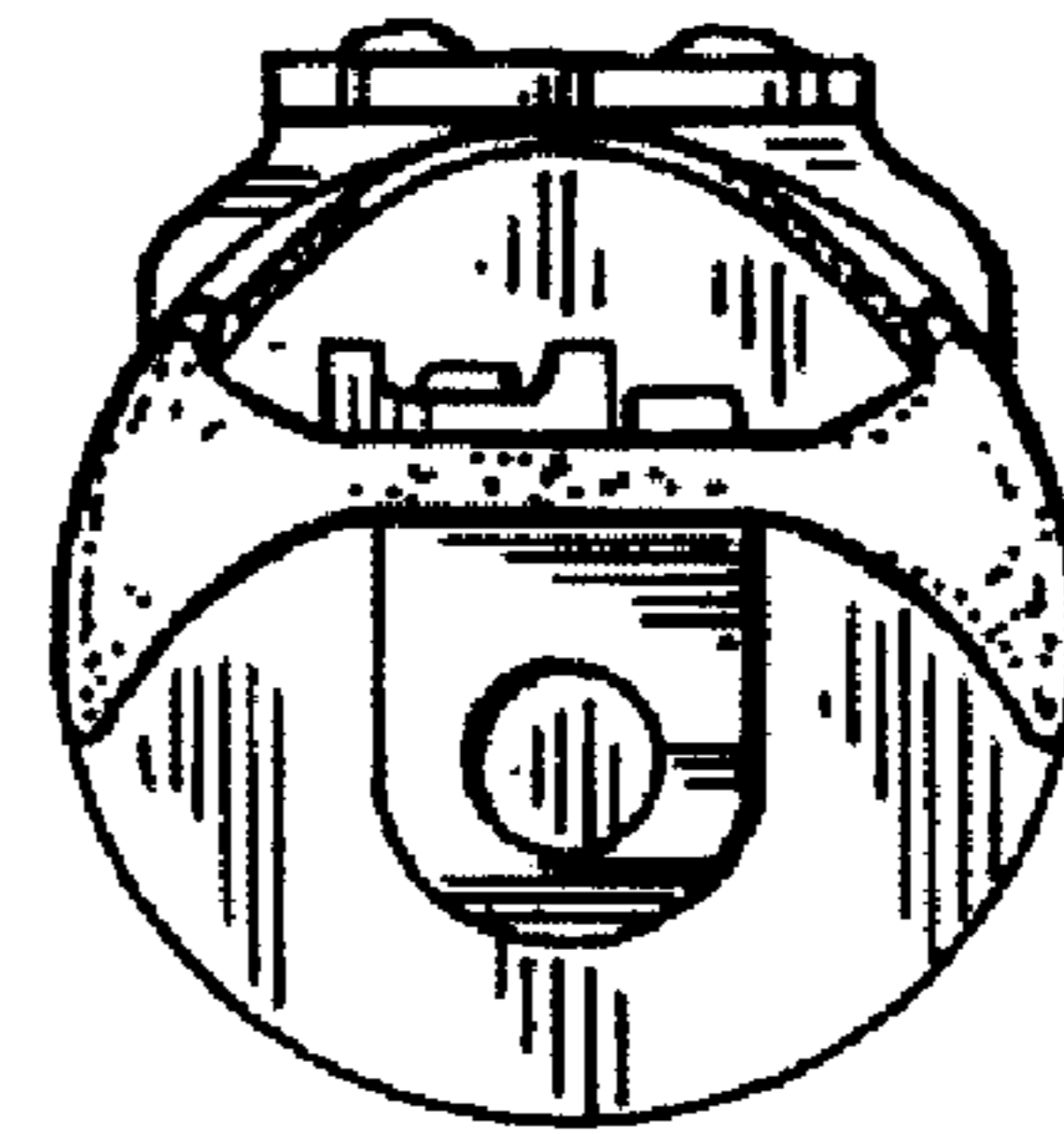


Fig. 7.

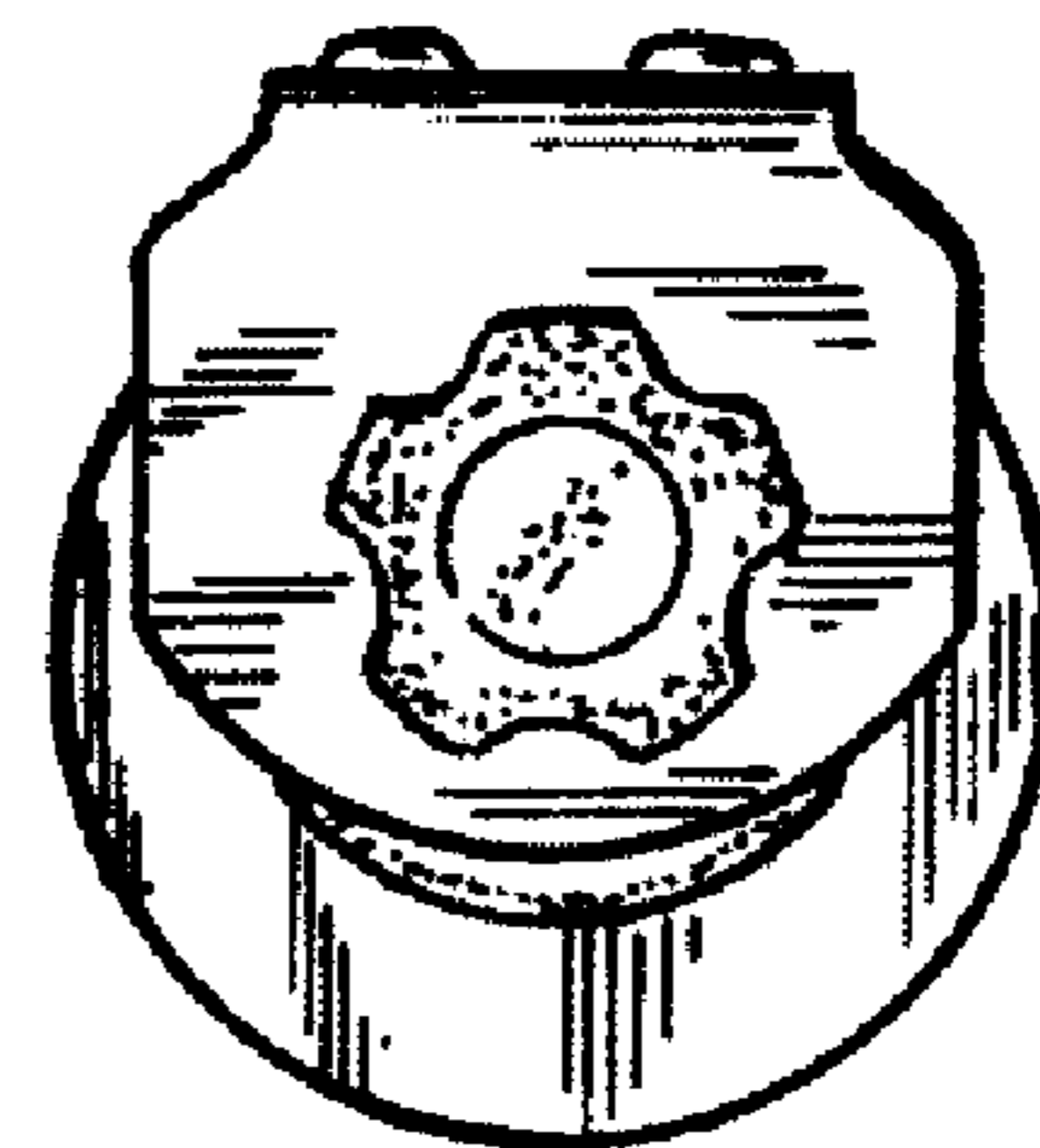


Fig. 8.